

US00D892354S

(12) **United States Design Patent** (10) **Patent No.:** **US D892,354 S**
Tremblay (45) **Date of Patent:** **** Aug. 4, 2020**

(54) **WALL PANEL**

FOREIGN PATENT DOCUMENTS

(71) Applicant: **OSBLOCK INC.**, Sainte-Monique (CA)

CA 2040926 A1 10/1992
DE 29502850 U1 4/1995

(Continued)

(72) Inventor: **Marco Tremblay**, Québec (CA)

OTHER PUBLICATIONS

(73) Assignee: **OSBLOCK INC.**, Quebec (CA)

BuildBlock Insulating Concrete Forms (ICFs) <https://buildblock.com/> Available Feb. 24, 2018 (Year: 2018).*

(**) Term: **15 Years**

(Continued)

(21) Appl. No.: **29/658,085**

(22) Filed: **Jul. 27, 2018**

Primary Examiner — Leanne Was-Englehart

(74) *Attorney, Agent, or Firm* — Erickson Kernell IP, LLC; Kent R. Erickson

(30) **Foreign Application Priority Data**

Jun. 29, 2018 (CA) 182140

(51) **LOC (12) Cl.** **25-01**

(52) **U.S. Cl.**
USPC **D25/113**

(58) **Field of Classification Search**

USPC D25/55, 58, 61, 113, 138, 151, 158, 164
CPC ... E04C 2/26; E04C 2/284; E04C 2/34; E04C 1/41; E04B 1/167; E04B 2002/0243; E04B 2002/025; E04B 2002/0256; E04B 2/08; E04B 2/704; E04F 13/08; E04F 13/0862; B32B 3/06

See application file for complete search history.

(56) **References Cited**

U.S. PATENT DOCUMENTS

2,732,706 A 1/1956 Friedman
3,132,447 A * 5/1964 Hosbein F23M 5/06
52/506.03
3,387,421 A * 6/1968 Robertson E04B 2/34
52/310
3,936,987 A 2/1976 Calvin
4,439,971 A 4/1984 Rutherford

(Continued)

(57) **CLAIM**

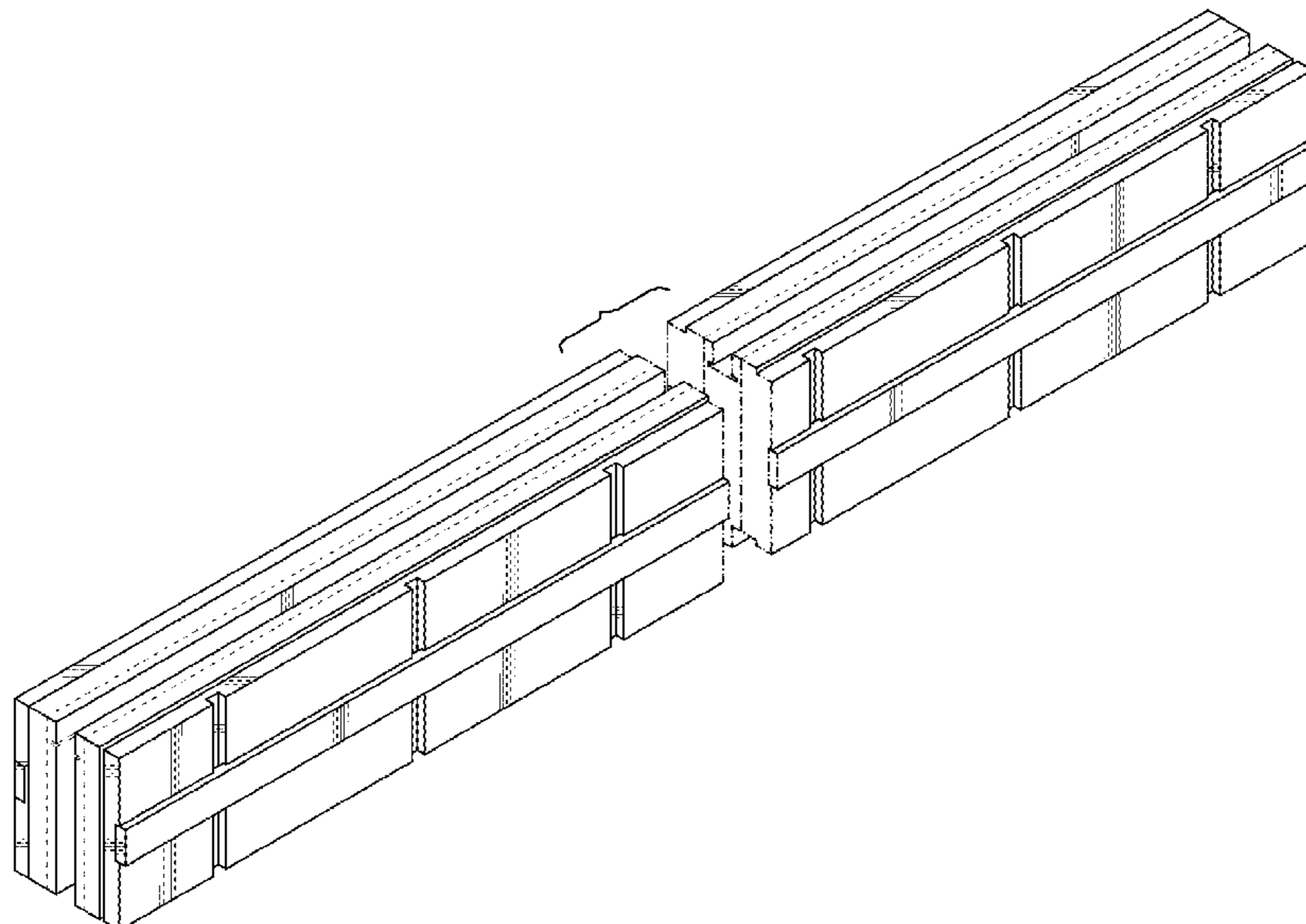
The ornamental design for a wall panel, as shown and described.

DESCRIPTION

FIG. 1 is a perspective view of a wall panel showing my design;
FIG. 2 is a front elevation view of the wall panel shown in FIG. 1;
FIG. 3 is a rear elevation view of the wall panel shown in FIG. 1;
FIG. 4 is a top plan view of the wall panel shown in FIG. 1;
FIG. 5 is a bottom plan view of the wall panel shown in FIG. 1;
FIG. 6 is a right-side elevation view of the wall panel shown in FIG. 1; and,
FIG. 7 is a left-side elevation view of the wall panel shown in FIG. 1.

The broken lines in the drawings are included for the purposes of illustrating subject matter that forms no part of the claimed design. The drawings contain a symbolic break. The portion between the break lines forms no part of the claimed design.

1 Claim, 4 Drawing Sheets



(56)

References Cited

U.S. PATENT DOCUMENTS

4,557,093 A * 12/1985 Beliveau E04B 2/18
52/405.4
4,557,094 A * 12/1985 Beliveau E04B 2/18
52/405.4
5,155,960 A 10/1992 Shaanan
5,163,259 A 11/1992 Hunsaker et al.
5,424,118 A 6/1995 McLaughlin
5,890,332 A * 4/1999 Skidmore E04B 2/08
52/271
6,235,367 B1 5/2001 Holmes et al.
6,907,704 B2 6/2005 Abang et al.
D539,928 S * 4/2007 Schmidt D25/113
7,546,712 B2 6/2009 Shaw
7,762,033 B2 * 7/2010 Scott E04B 2/06
52/274
7,841,145 B2 11/2010 Pervan et al.
D642,287 S * 7/2011 Poland D25/119
8,464,482 B2 6/2013 Raynor
D711,012 S * 8/2014 Jorge D25/58
D722,395 S * 2/2015 Britton D25/138
9,181,712 B2 11/2015 Laufer et al.
9,212,485 B2 12/2015 Wolynski et al.
D829,931 S * 10/2018 Eliason D25/113
D845,515 S * 4/2019 Ivosevich D25/113
10,329,911 B2 * 6/2019 Skidmore E21F 17/103
D865,224 S * 10/2019 Harrison D25/155
2004/0040234 A1 * 3/2004 Davison E04B 1/24
52/270
2007/0094989 A1 5/2007 Scheker
2008/0184649 A1 8/2008 Khan
2011/0173911 A1 7/2011 Propst
2011/0192107 A1 8/2011 Farquhar

2012/0073230 A1 * 3/2012 Klein E04C 2/041
52/438
2012/0324820 A1 12/2012 Drew
2013/0312357 A1 11/2013 Lin
2014/0090325 A1 4/2014 Maers
2014/0150361 A1 6/2014 Castonguay et al.
2014/0196397 A1 7/2014 Sourlis et al.
2015/0047281 A1 2/2015 Cole et al.
2015/0218805 A1 8/2015 Jensen
2015/0247328 A1 9/2015 Correia et al.
2015/0252572 A1 9/2015 Bauer et al.
2017/0191259 A1 * 7/2017 Negev E04B 2/08
2019/0218772 A1 * 7/2019 Tremblay E04B 2/08

FOREIGN PATENT DOCUMENTS

EP 2775056 A1 9/2014
FR 2445461 A3 7/1980
FR 2510680 A1 2/1983
FR 2579879 A1 10/1986
JP 2000213143 A 8/2000
WO 2013105073 A1 7/2013

OTHER PUBLICATIONS

Le Coeur Du Osblock <https://en-gb.facebook.com/osblock.ca/videos/1742379912490911/> posted Jan. 10, 2018 (Year: 2018).*
Osblock mur isolé construction by OSblock—issuu https://issuu.com/osblock/docs/osblock_mur_isol_construction posted Jul. 9, 2017 (Year: 2017).*
Osblock revolutionizes construction News Business News <https://informeaffaires.com/regional/construction/osblock-revolutionne-la-construction> posted Feb. 15, 2018 (Year: 2018).*

* cited by examiner

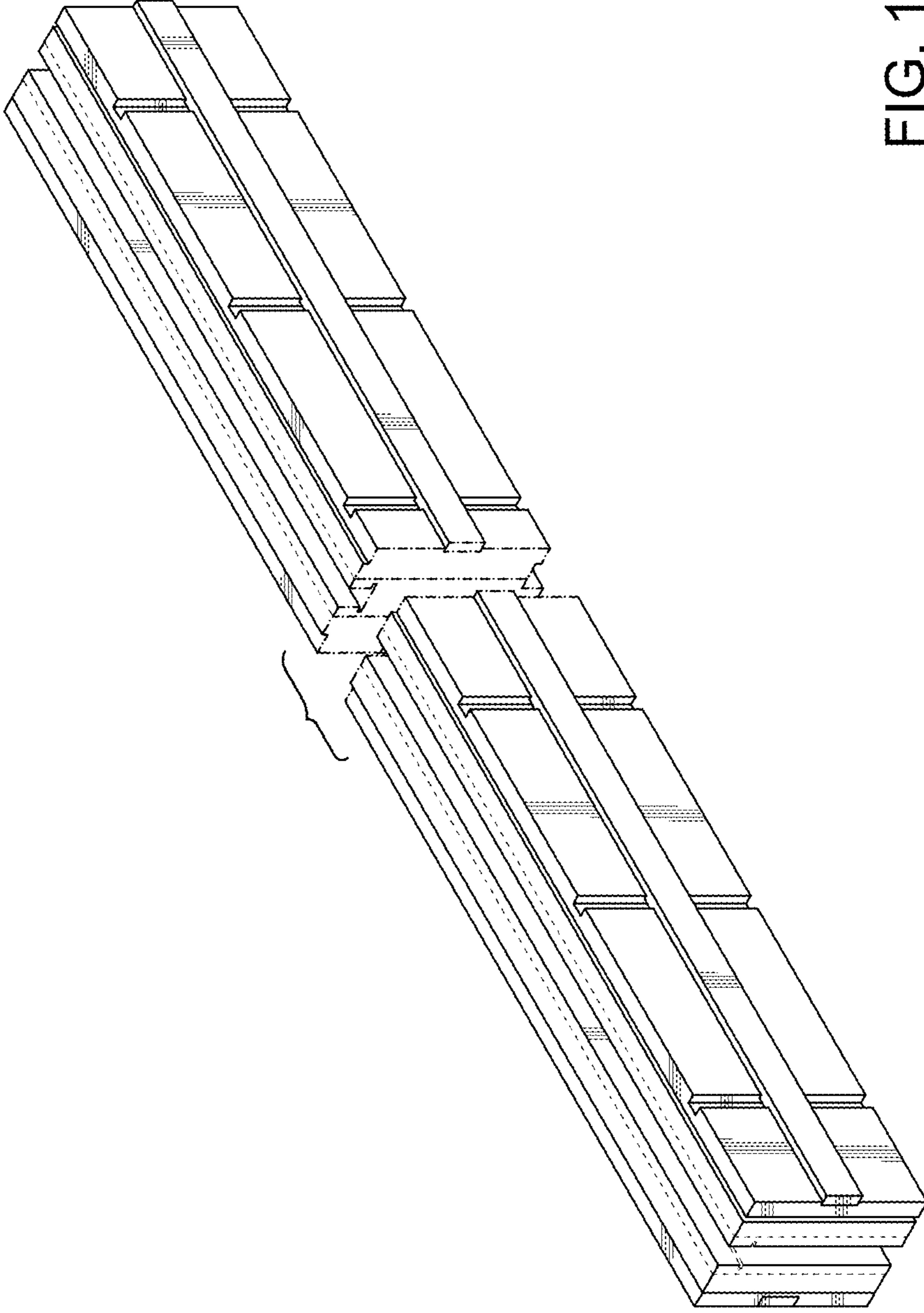


FIG. 1

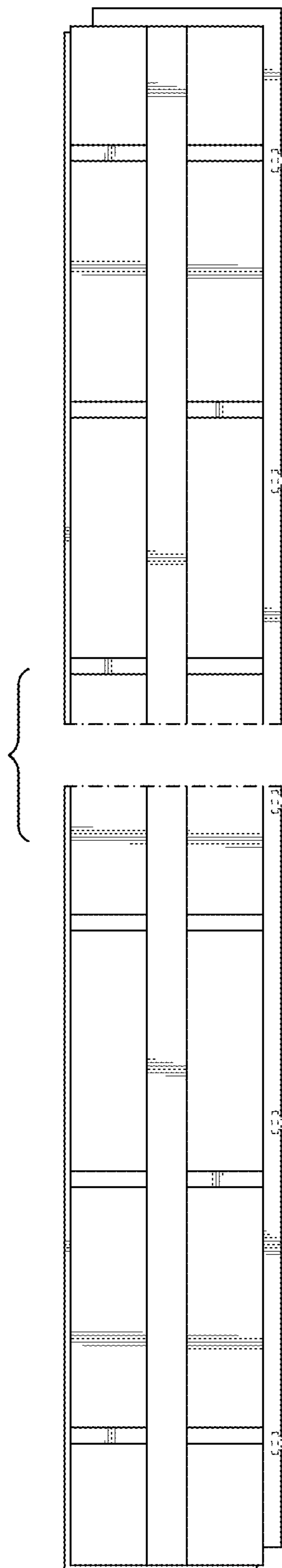


FIG. 2

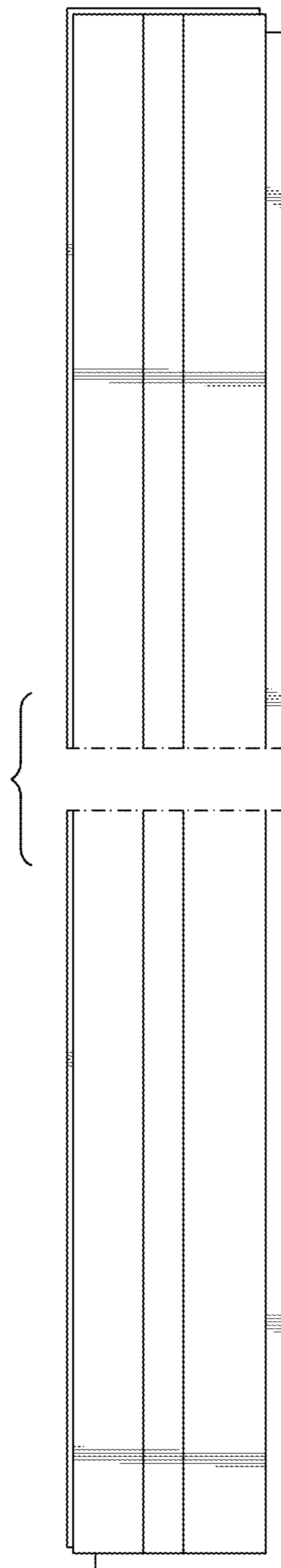


FIG. 3

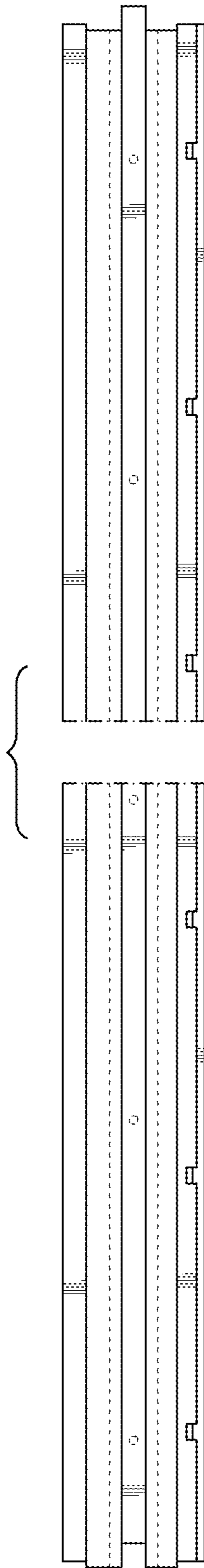


FIG. 4

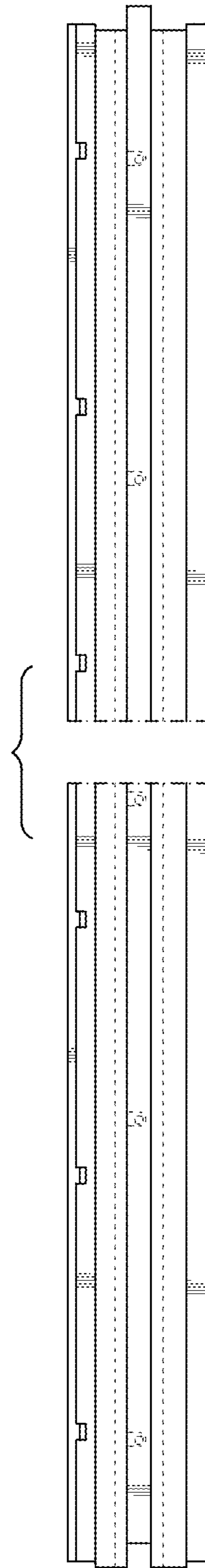


FIG. 5

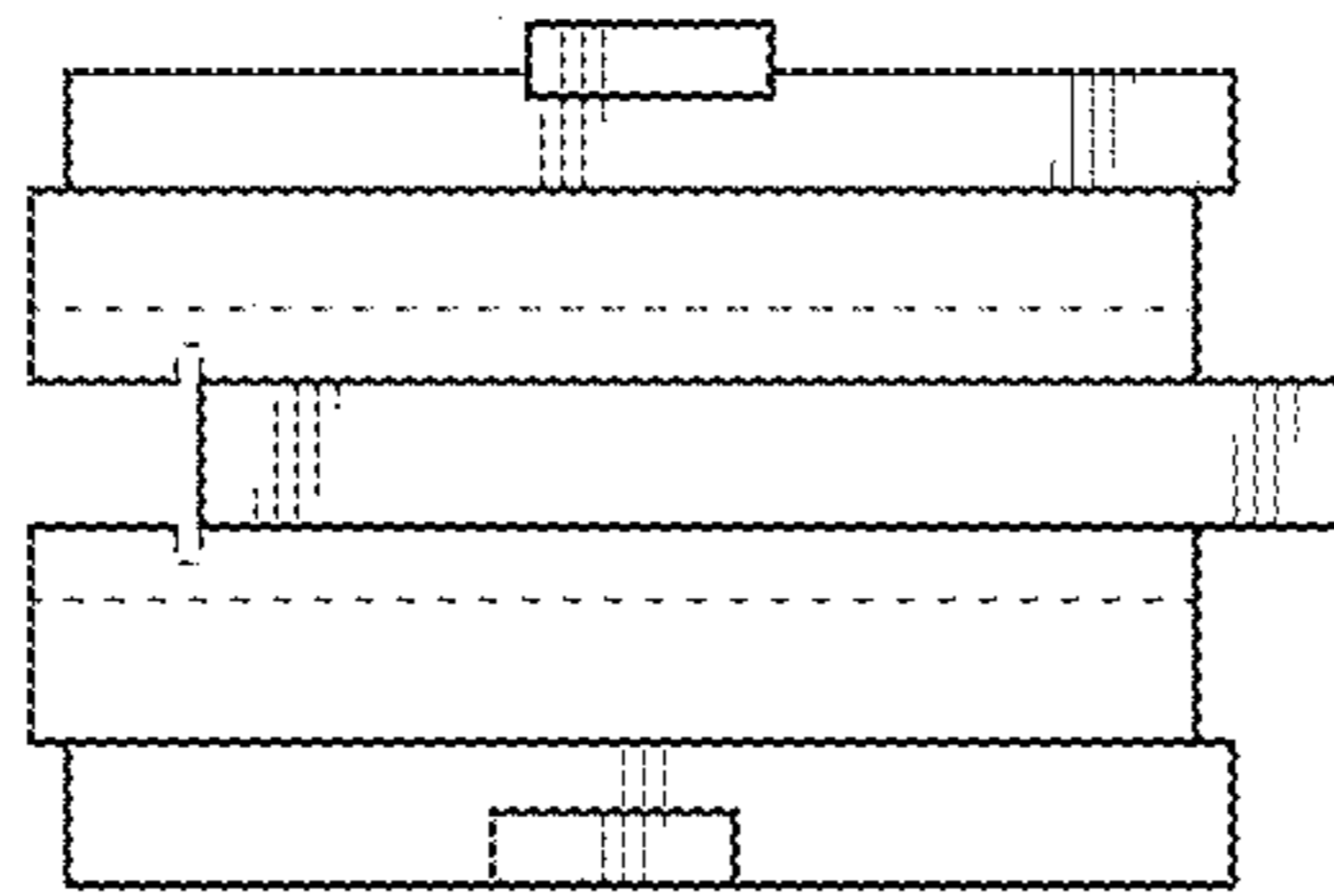


FIG. 7

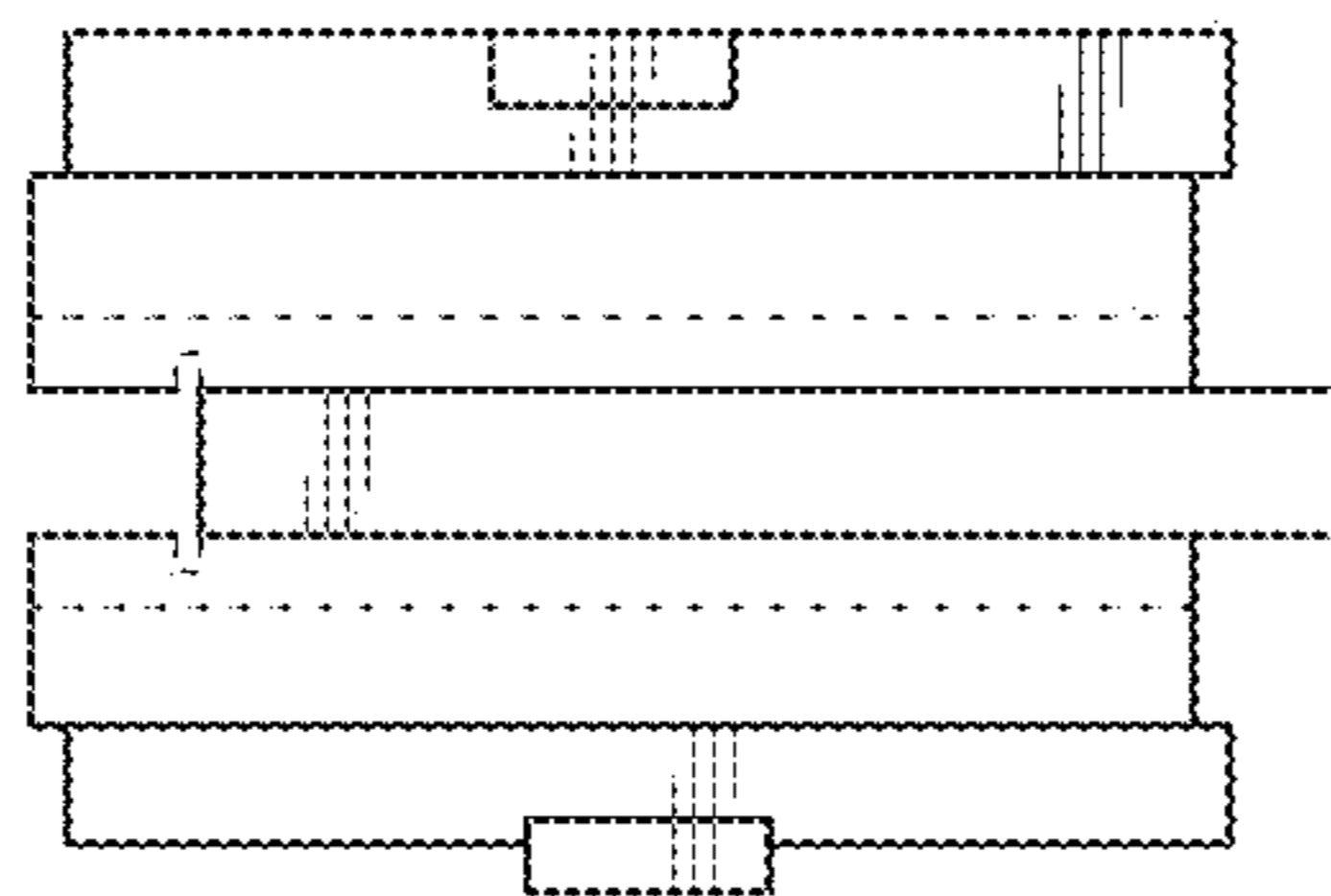


FIG. 6