



US00D892352S

(12) **United States Design Patent** (10) **Patent No.:** **US D892,352 S**
Huang et al. (45) **Date of Patent:** **** Aug. 4, 2020**

(54) **AUTOMATED NUCLEIC ACID ANALYSIS DETECTOR**

(71) Applicant: **DELTA ELECTRONICS, INC.**,
Taoyuan (TW)

(72) Inventors: **Song-Bin Huang**, Taoyuan (TW);
Ching-Chen Liao, Taoyuan (TW);
Yu-Kai Kao, Taoyuan (TW);
Chang-Yen Wu, Taoyuan (TW);
Wei-Yu Chung, Taoyuan (TW);
Hung-Ju Wu, Taoyuan (TW)

(73) Assignee: **Delta Electronics, Inc.**, Taoyuan (TW)

(**) Term: **15 Years**

(21) Appl. No.: **29/650,729**

(22) Filed: **Jun. 8, 2018**

(51) **LOC (12) Cl.** **24-01**

(52) **U.S. Cl.**
USPC **D24/232**

(58) **Field of Classification Search**
USPC D24/216, 219, 223, 224, 227, 229, 230,
D24/231, 232, 233, 234, 107, 186, 217,
D24/220, 225, 226; D10/81, 97
CPC G01N 2035/00306; G01N 2035/00326;
G01N 2035/00336; G01N 33/53; G01N
33/5302; G01N 33/569; B01L 7/52
See application file for complete search history.

(56) **References Cited**

U.S. PATENT DOCUMENTS

D368,143 S * 3/1996 Willows D24/232
D556,914 S * 12/2007 Okamoto D24/233
D646,398 S * 10/2011 Oonuma D24/232

D681,232 S * 4/2013 Benarieh D23/233
D681,234 S * 4/2013 Benarieh D24/233
D688,804 S * 8/2013 Kim D24/216
D718,473 S * 11/2014 Benarieh D24/232
D731,673 S * 6/2015 Klein D24/232
D783,175 S * 4/2017 Hosokawa D24/216
D833,033 S * 11/2018 Foster D24/233
D835,293 S * 12/2018 Masuda D24/232
2010/0101954 A1 * 4/2010 Conrad C12N 15/101
204/469
2012/0227471 A1 * 9/2012 Smith G01N 35/1011
73/61.59

* cited by examiner

Primary Examiner — Lilyana Bekic

Assistant Examiner — Mary Shannon Malley

(74) *Attorney, Agent, or Firm* — Muncy, Geissler, Olds & Lowe, P.C.

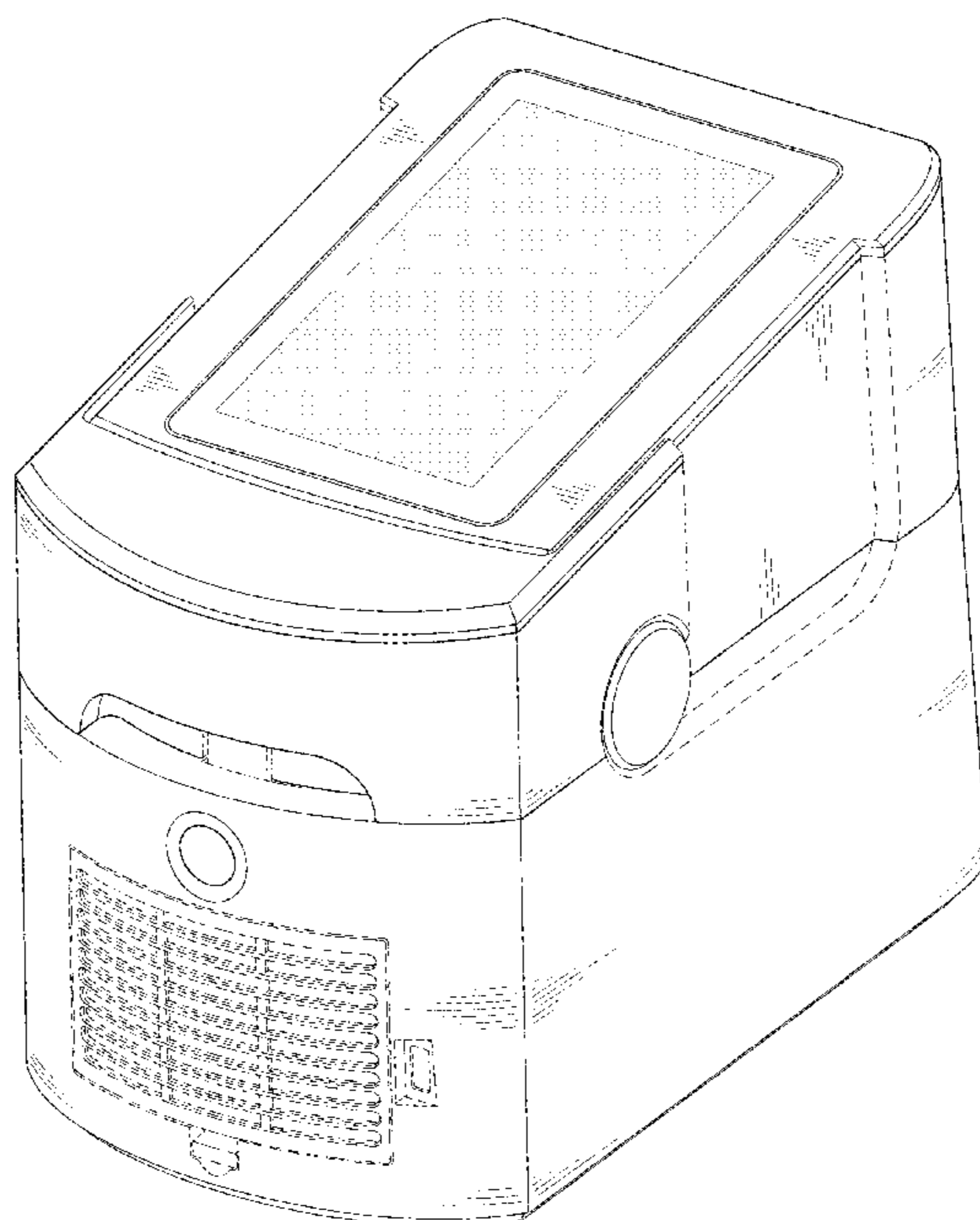
(57) **CLAIM**

The ornamental design for automated nucleic acid analysis detector, as shown and described.

DESCRIPTION

FIG. 1 is a first perspective view according to our new design;
FIG. 2 is a front view thereof;
FIG. 3 is a rear front view thereof;
FIG. 4 is a left side view thereof;
FIG. 5 is a right side view thereof;
FIG. 6 is a top view thereof;
FIG. 7 is a bottom view thereof;
FIG. 8 is a second perspective view of our new design; and,
FIG. 9 is an open state view of our new design.
The broken lines depict portions of the automated nucleic acid analysis detector that form no part of the claimed design.

1 Claim, 9 Drawing Sheets



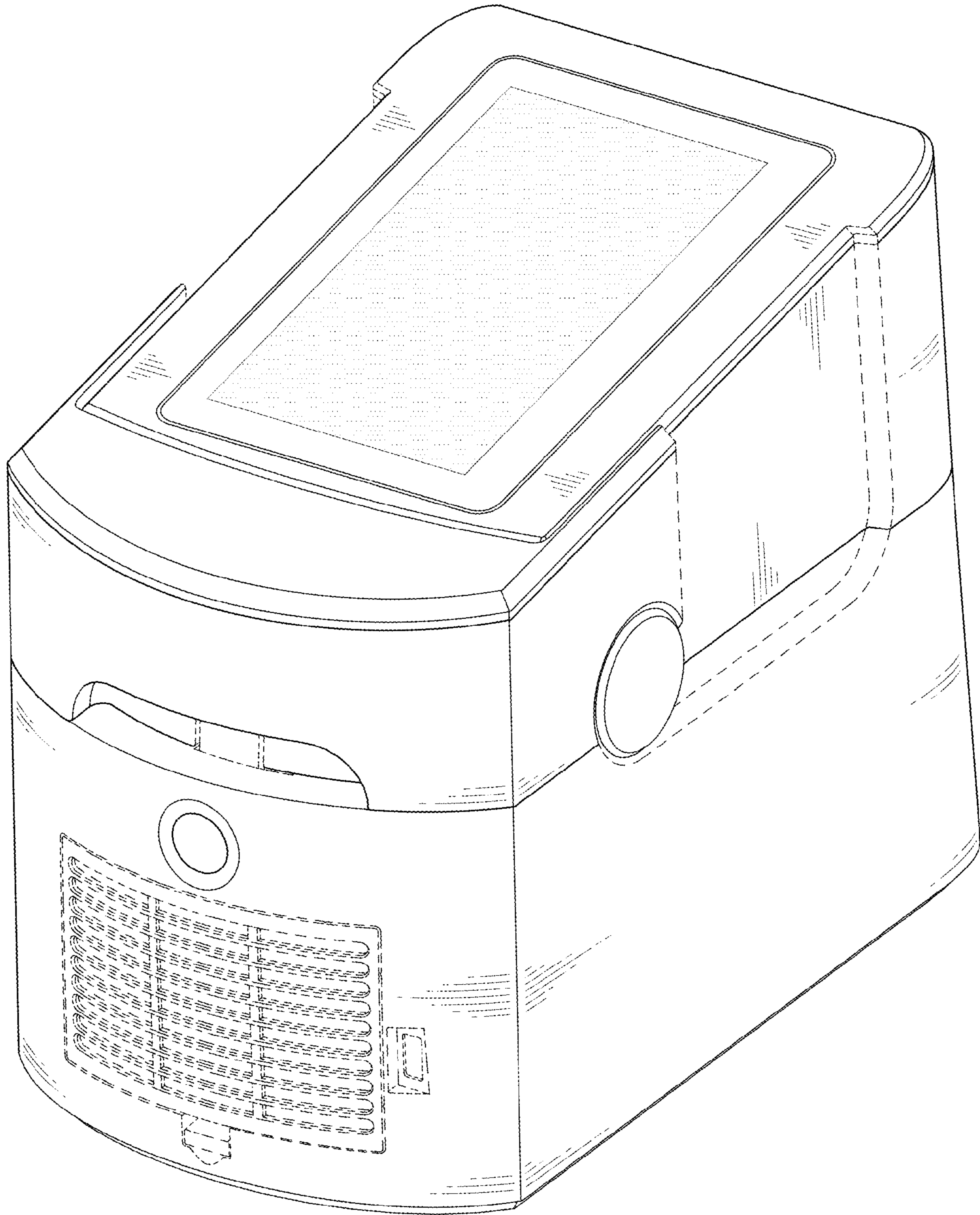


FIG.1

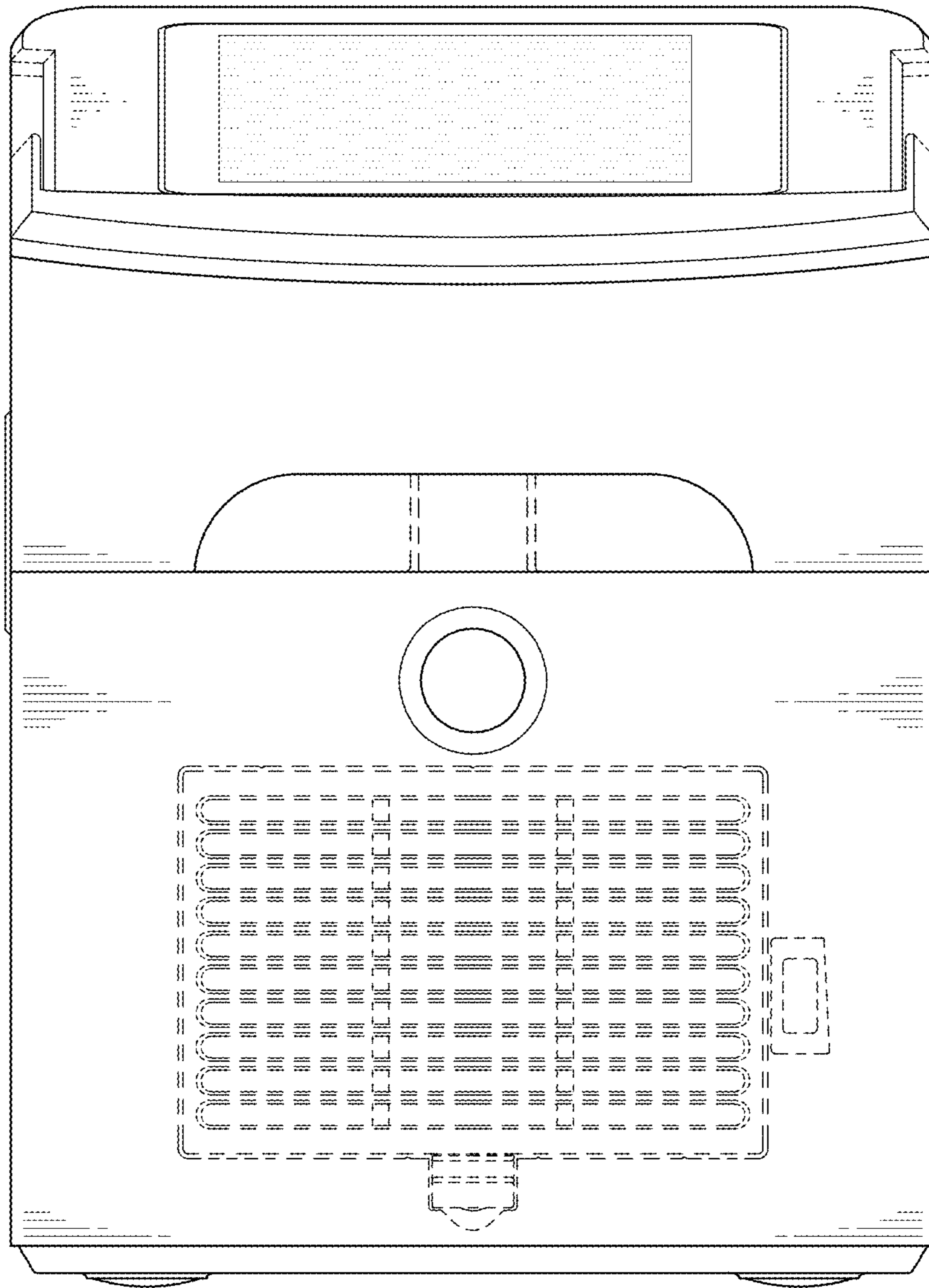


FIG.2

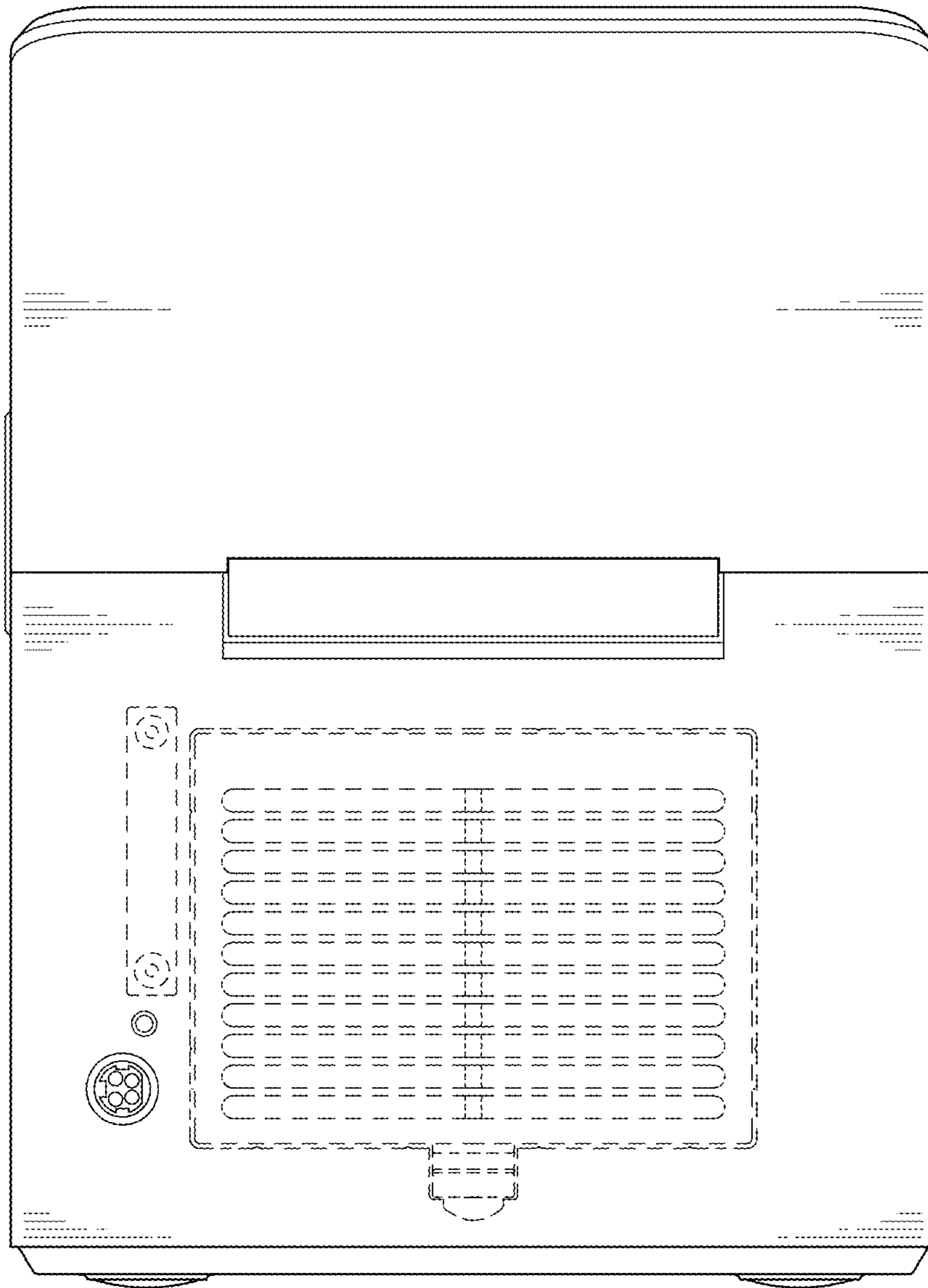


FIG.3

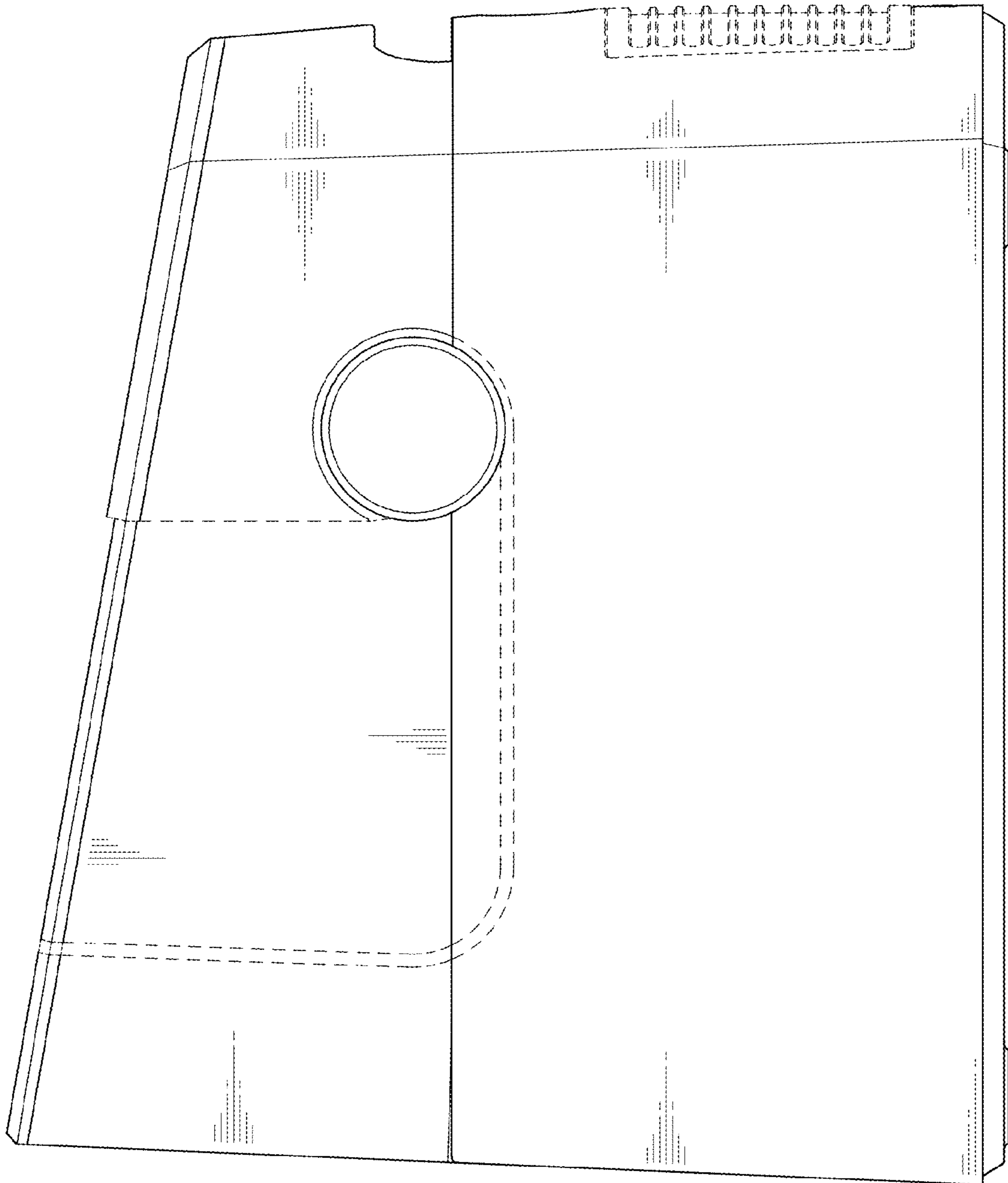


FIG.4

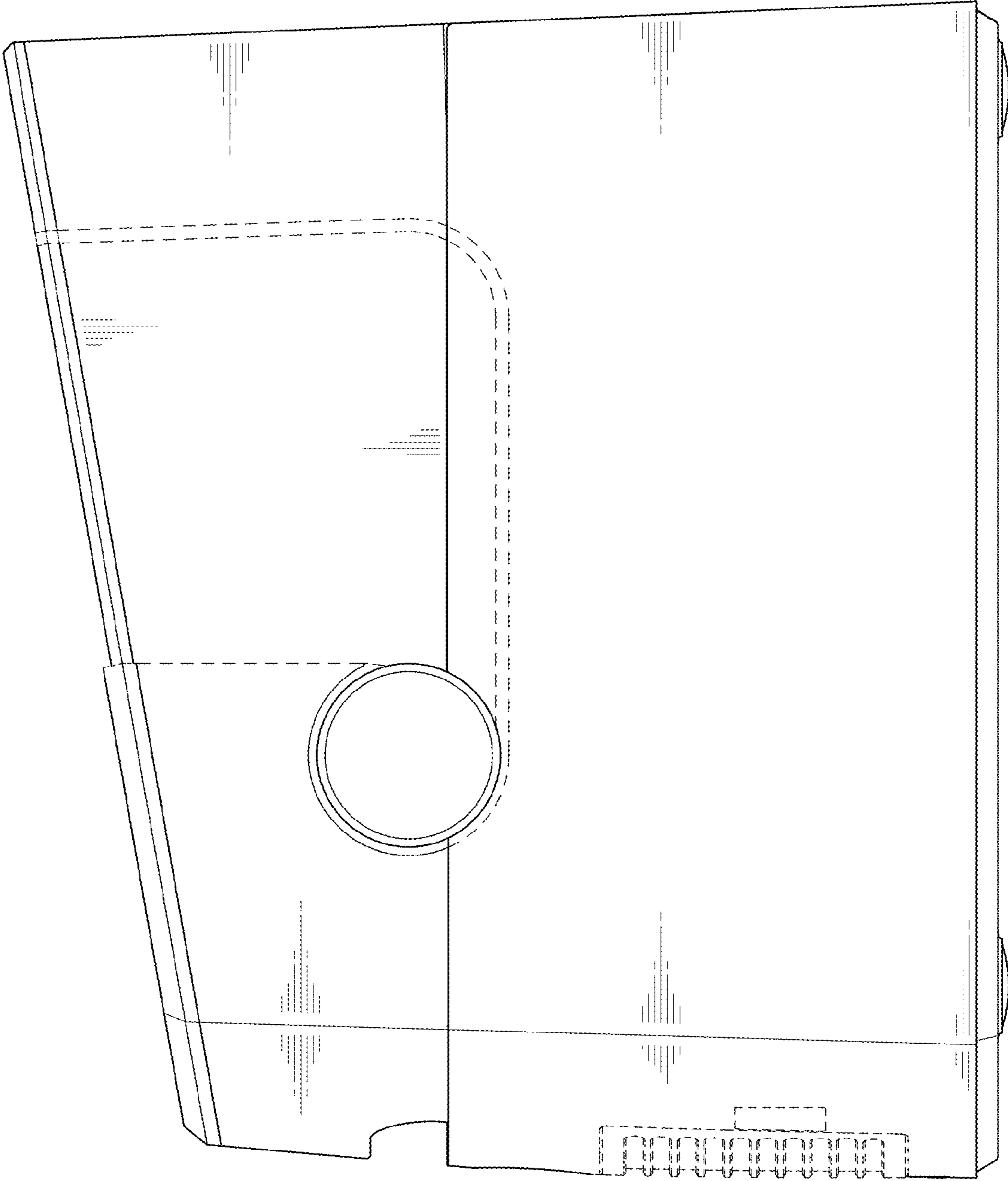


FIG.5

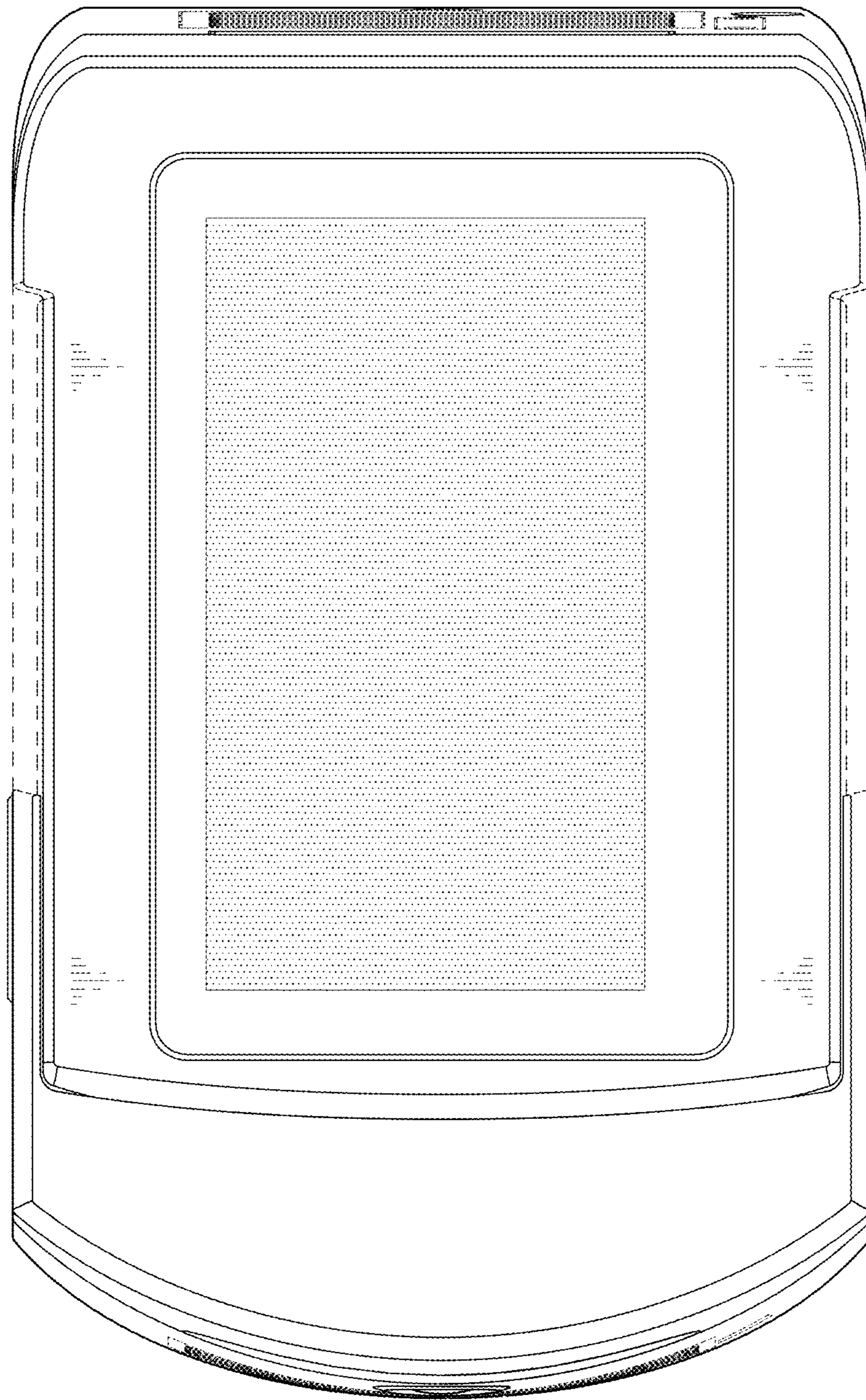


FIG.6

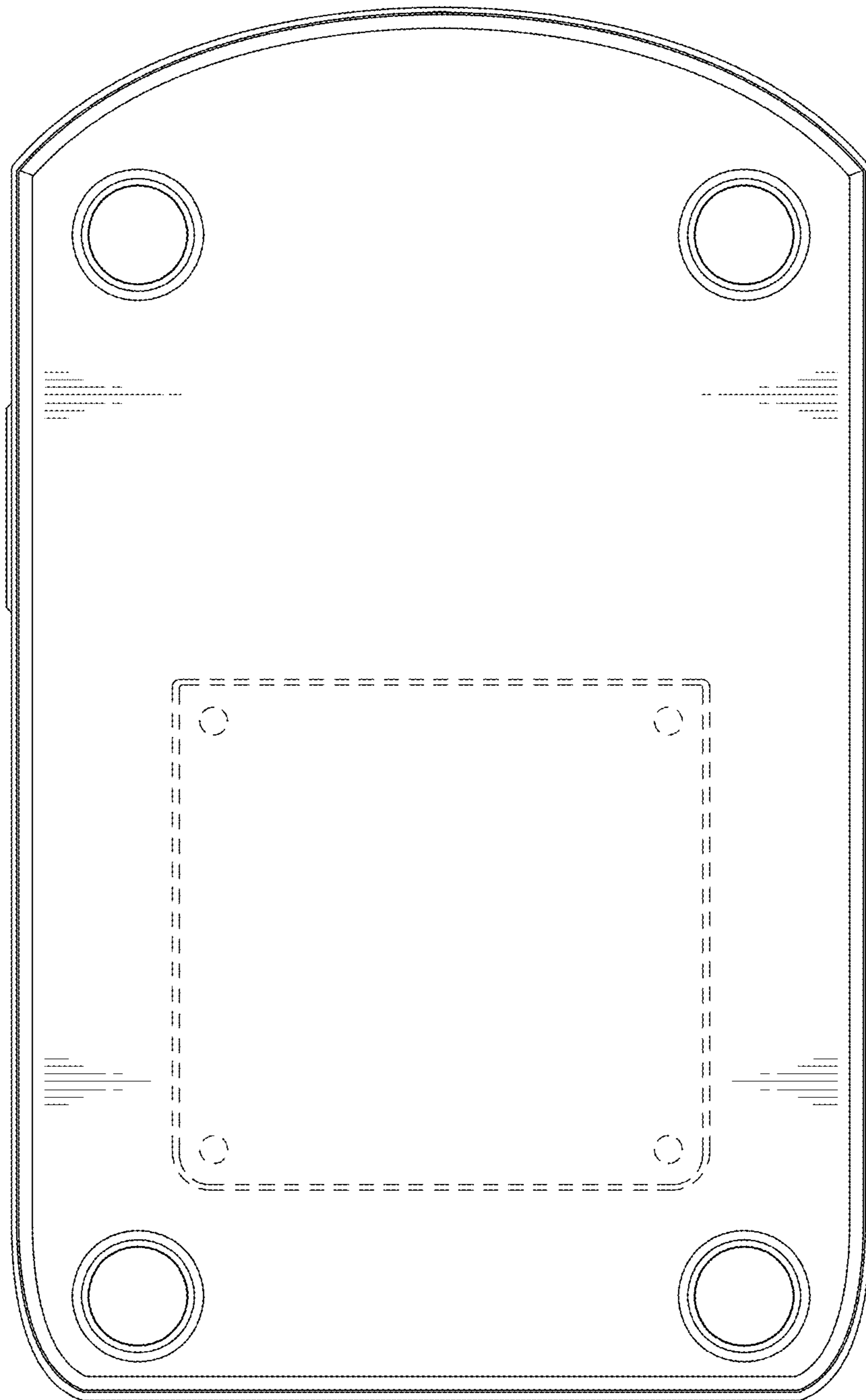


FIG.7

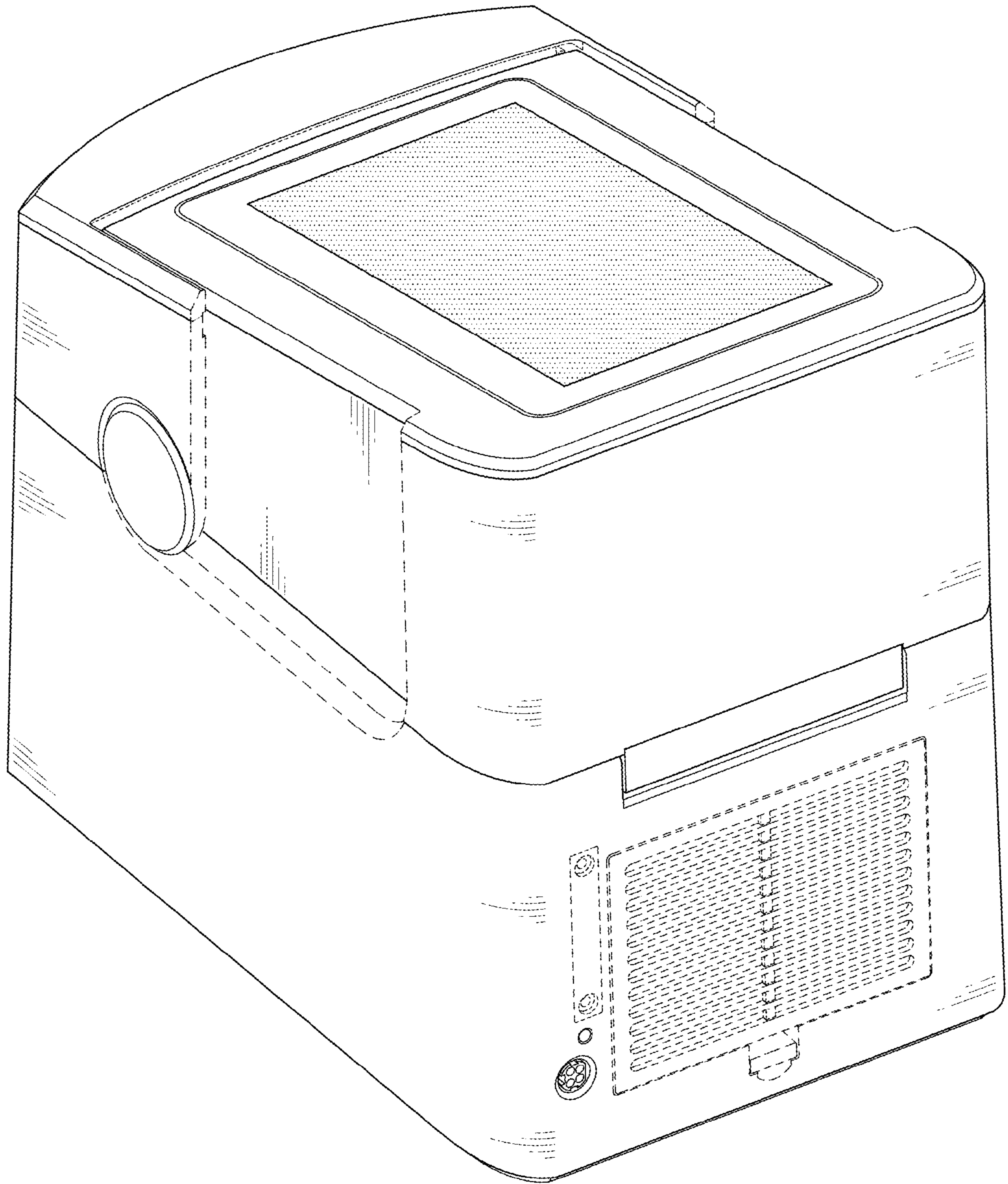


FIG.8

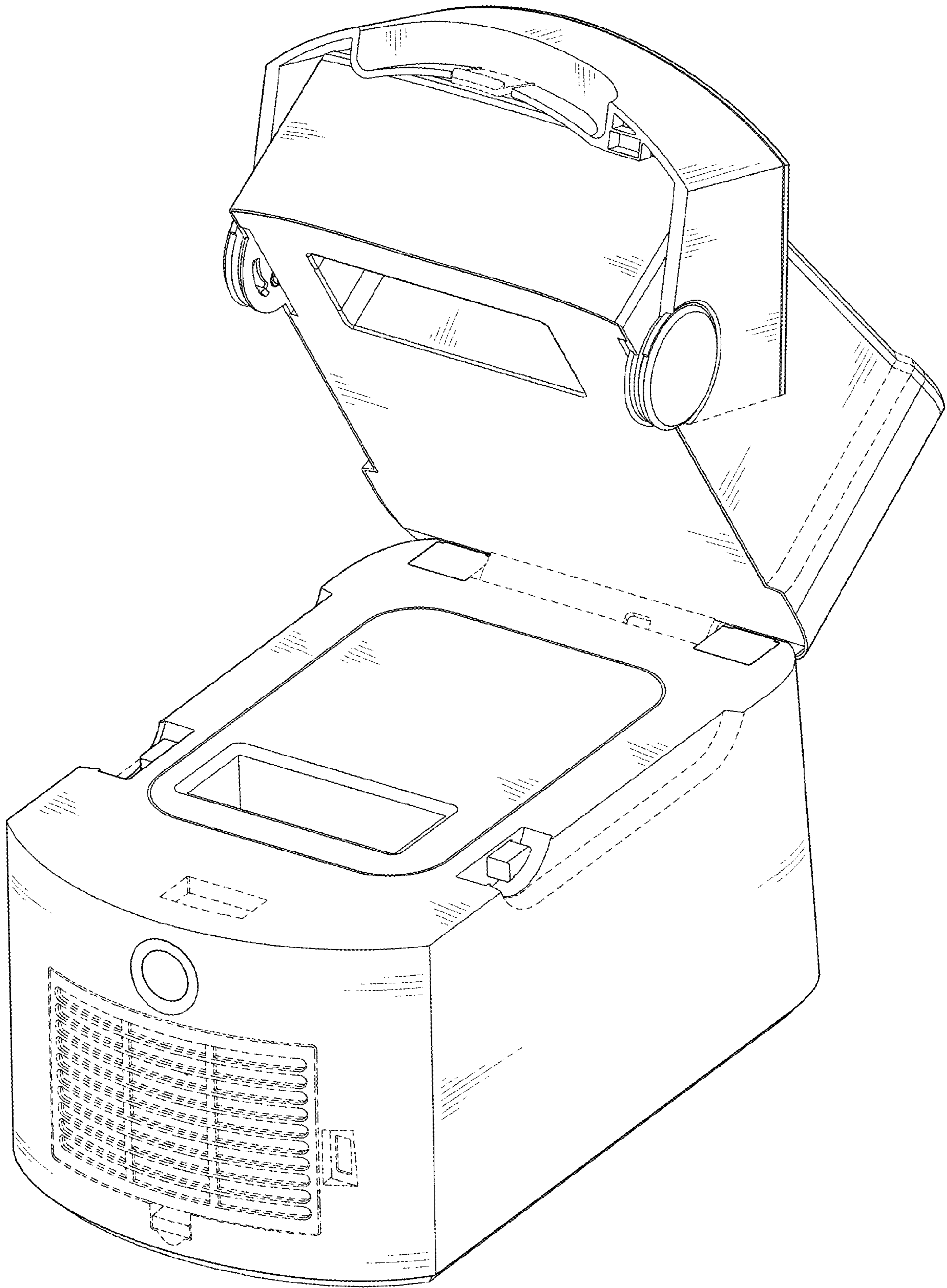


FIG.9