



US00D892349S

(12) **United States Design Patent**  
**Gardner et al.**

(10) **Patent No.:** **US D892,349 S**  
(45) **Date of Patent:** **\*\* Aug. 4, 2020**

(54) **SAMPLER CARTRIDGE**

D639,939 S \* 6/2011 Klockars ..... D24/129  
(Continued)

(71) Applicant: **SNPSHOT TRUSTEE LIMITED**,  
Auckland (NZ)

**FOREIGN PATENT DOCUMENTS**

(72) Inventors: **Michael Stuart Gardner**, Auckland  
(NZ); **Roy Victor Bladen**, Auckland  
(NZ); **Rory Bladen**, Auckland (NZ)

EP 1014861 A1 7/2000  
EP 1781086 A2 5/2007  
(Continued)

(73) Assignee: **SNPSHOT TRUSTEE LIMITED**,  
Auckland (NZ)

**OTHER PUBLICATIONS**

(\*\*) Term: **15 Years**

The SNPshot Lite Sampler. Online, published date unknown. Retrieved  
on May 20, 2019 from URL: <https://snpshot.com/>.\*

(21) Appl. No.: **29/639,768**

*Primary Examiner* — Susan Bennett Hattan

(22) Filed: **Mar. 8, 2018**

*Assistant Examiner* — Omeed Agilee

(30) **Foreign Application Priority Data**

(74) *Attorney, Agent, or Firm* — Joseph G. Chu; Jeremy  
I. Maynard; JCIP

Sep. 8, 2017 (AU) ..... 201715397

(51) **LOC (12) Cl.** ..... **24-02**

(52) **U.S. Cl.**  
USPC ..... **D24/224**

(58) **Field of Classification Search**  
USPC ..... D24/107, 112, 113, 128, 129, 186, 216,  
D24/219, 223, 224, 231, 232, 233;  
D23/129, 223, 249, 259; D8/97, 300,  
D8/310, 349

CPC .... A44C 5/0007; A44C 5/0023; A61M 5/158;  
A61M 5/1582

See application file for complete search history.

(57) **CLAIM**

We claim the ornamental design for the sampler cartridge, as  
shown and described.

(56) **References Cited**

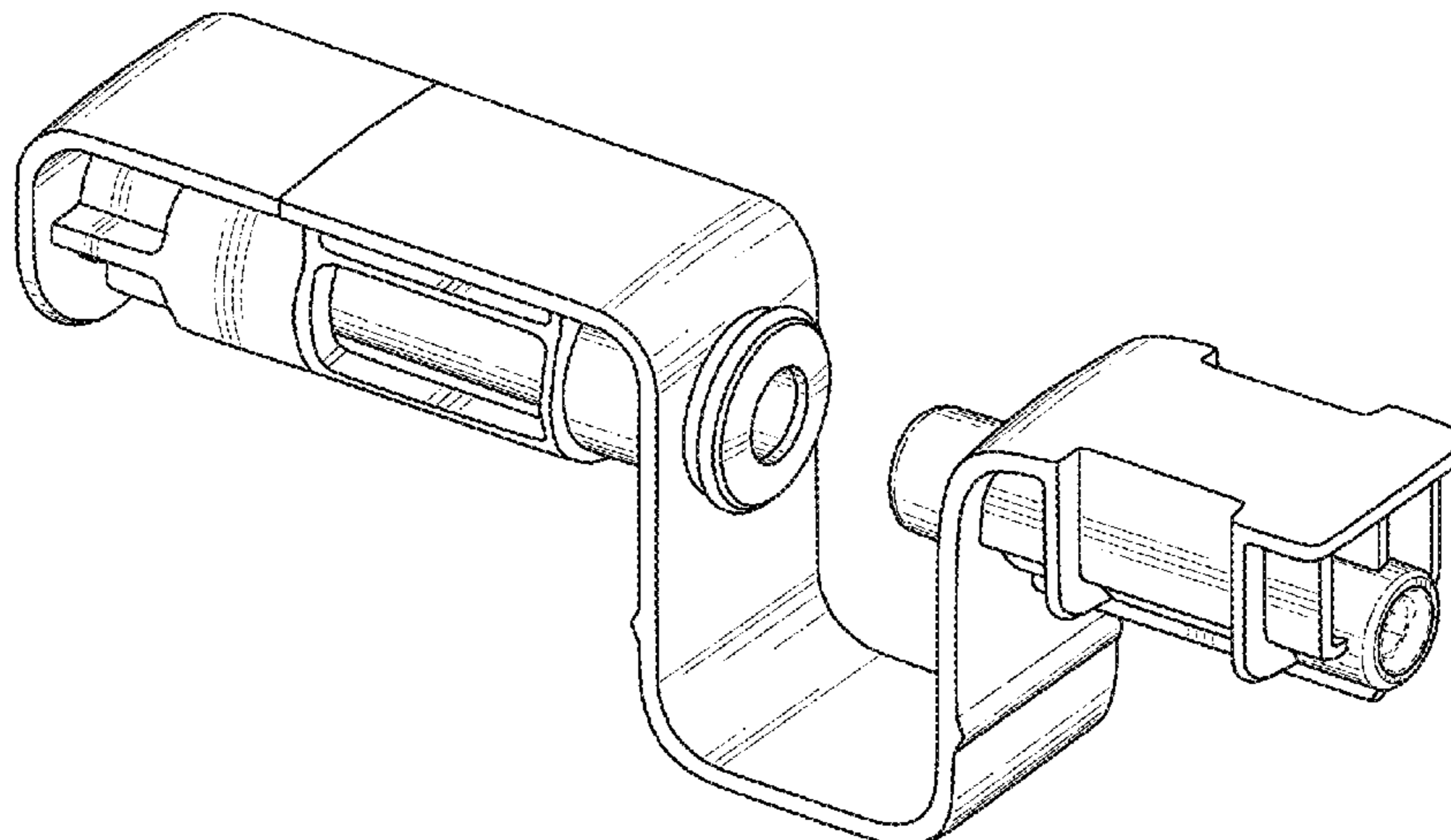
**U.S. PATENT DOCUMENTS**

D267,037 S \* 11/1982 Spranger ..... D24/162  
D300,361 S \* 3/1989 Tokarz ..... D24/129  
D430,933 S \* 9/2000 Reil ..... D24/146  
D450,383 S \* 11/2001 Mann ..... D24/146  
6,659,338 B1 12/2003 Dittmann et al.  
D497,989 S \* 11/2004 Myrick ..... D24/110.6  
D504,506 S \* 4/2005 Beck ..... D24/111  
D505,199 S \* 5/2005 Beck ..... D24/111  
6,947,866 B2 9/2005 Staab  
6,968,639 B2 11/2005 Destoumieux  
7,235,055 B2 6/2007 Pfistershammer

**DESCRIPTION**

FIG. 1 is a front top perspective view of a sampler cartridge;  
FIG. 2 is a bottom back perspective view of the sampler  
cartridge;  
FIG. 3 is a back top perspective view of the sampler  
cartridge;  
FIG. 4 is a back perspective view of the sampler cartridge;  
FIG. 5 is a side view of the sampler cartridge;  
FIG. 6 is a top view of the sampler cartridge;  
FIG. 7 is a front view of the sampler cartridge; and,  
FIG. 8 is a back view of the sampler cartridge.  
The broken lines are directed to the internal environment of  
the front cylindrical element of the sampler cartridge that  
form no part of the claimed design and are hereby dis-  
claimed.

**1 Claim, 3 Drawing Sheets**



(56)

**References Cited**

U.S. PATENT DOCUMENTS

D641,080 S *	7/2011	Zinger .....	D24/129
8,070,757 B2	12/2011	Eadie	
D822,225 S *	7/2018	Moon .....	D24/224
D823,472 S *	7/2018	Newman .....	D24/164
D840,787 S *	2/2019	Pine .....	D8/349
D843,567 S *	3/2019	Gloria Bello .....	D24/129
2004/0103567 A1	6/2004	Destoumieux	
2005/0228310 A1	10/2005	Pfistershammer	
2008/0064983 A1	3/2008	Stromberg et al.	
2008/0227662 A1	9/2008	Stromberg et al.	
2009/0270878 A1	10/2009	Eadie	
2012/0010526 A1	1/2012	Hilpert et al.	
2013/0204159 A1	8/2013	Destoumieux et al.	
2016/0262735 A1*	9/2016	Gundberg .....	A61B 10/0266

FOREIGN PATENT DOCUMENTS

EP	1781086 B1	7/2008
EP	2066170 A1	6/2009
EP	2066170 B1	7/2010
EP	2579782 A1	4/2013
EP	1014861 B2	4/2014
WO	1999012475 A1	3/1999
WO	2006000869 A2	1/2006
WO	2006000869 A3	4/2006
WO	2007013820 A1	2/2007
WO	2008037802 A1	4/2008
WO	2011154510 A1	4/2013
WO	2014196876 A1	12/2014
WO	2014196877 A1	12/2014
WO	2015056225 A1	4/2015
WO	2015056226 A1	4/2015
WO	2015056227 A1	4/2015
WO	2015056228 A1	4/2015
WO	2015056229 A1	4/2015
WO	2016107825 A1	7/2016

EP 1014861 B1 7/2008

\* cited by examiner

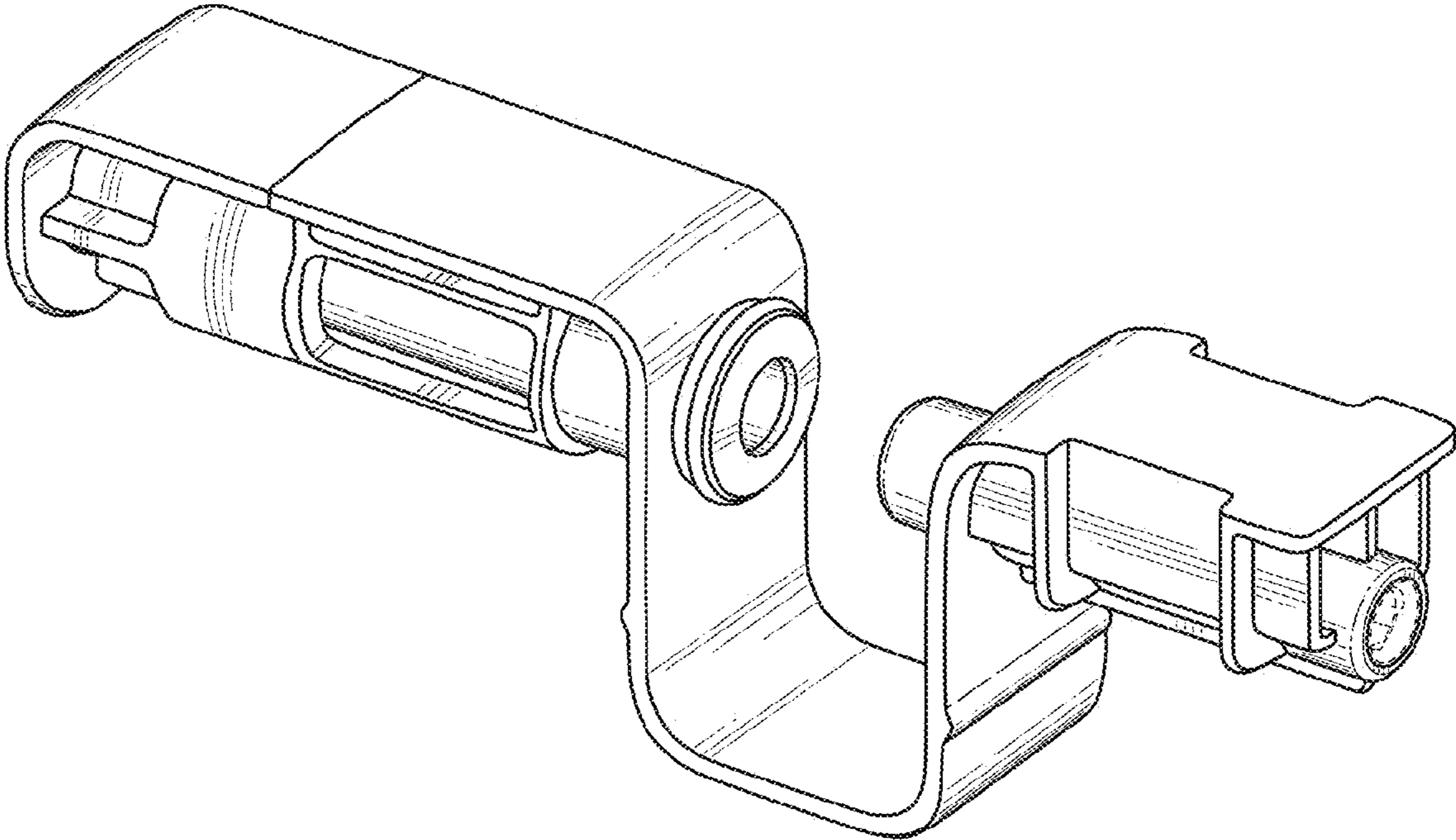


FIG. 1

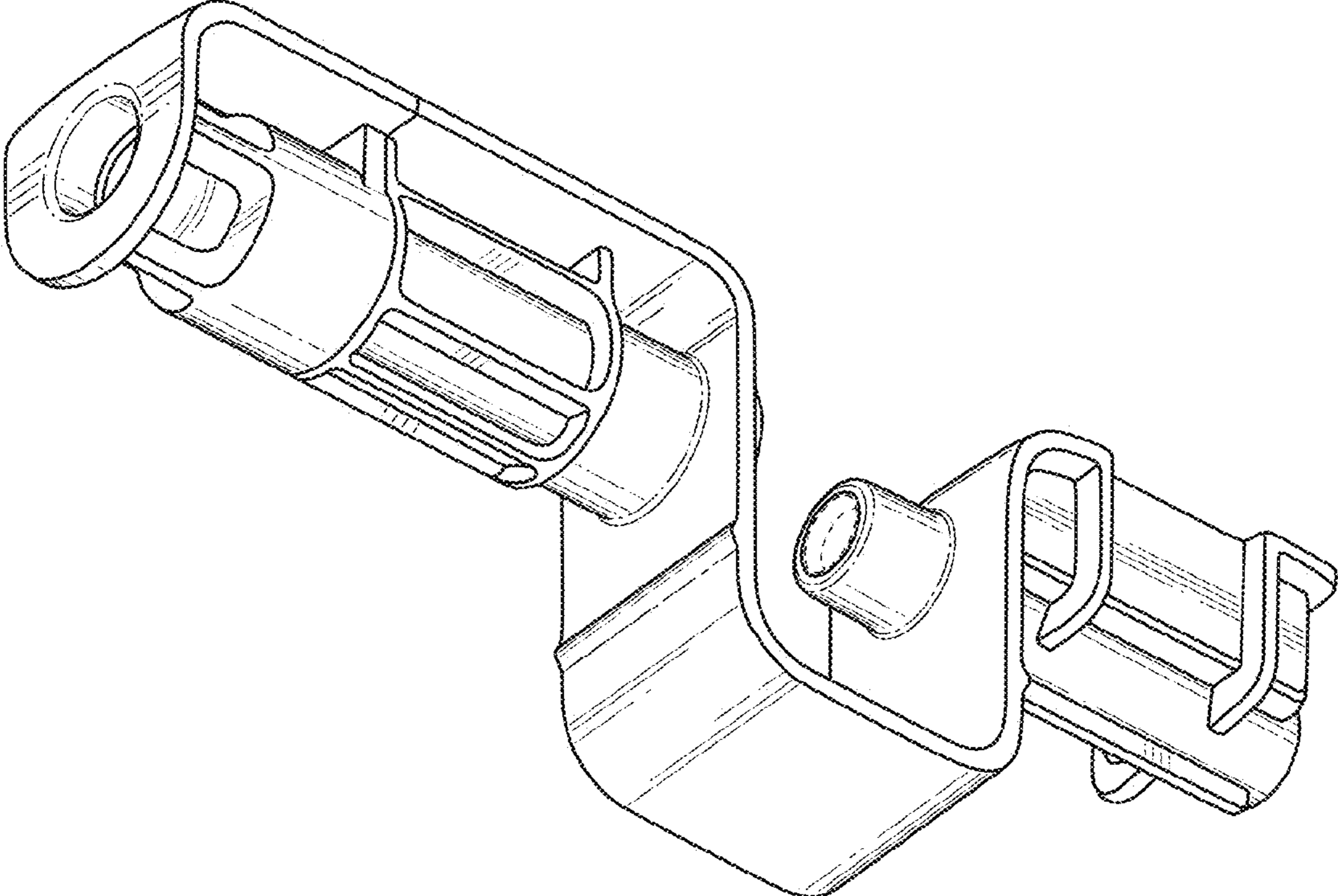


FIG. 2

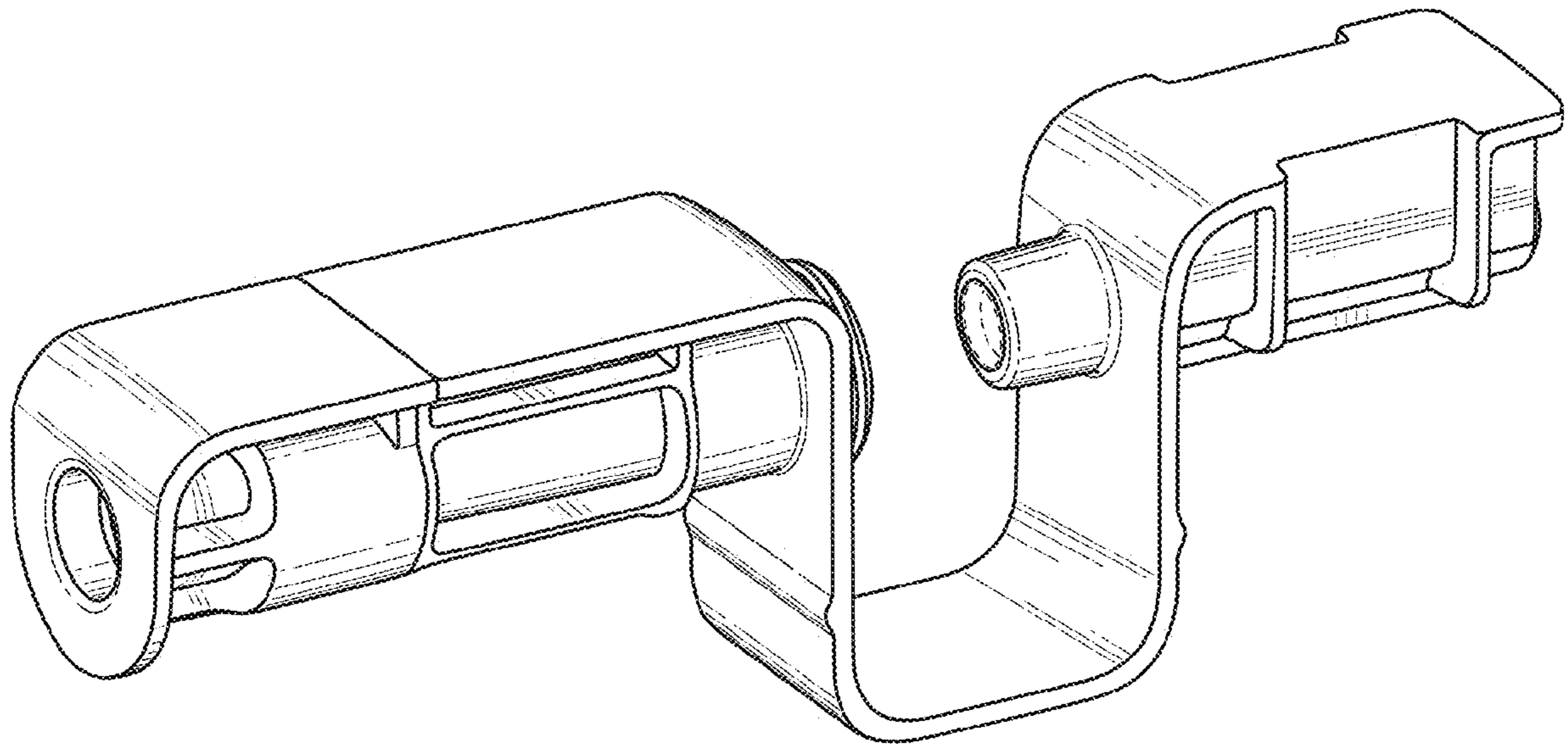


FIG. 3

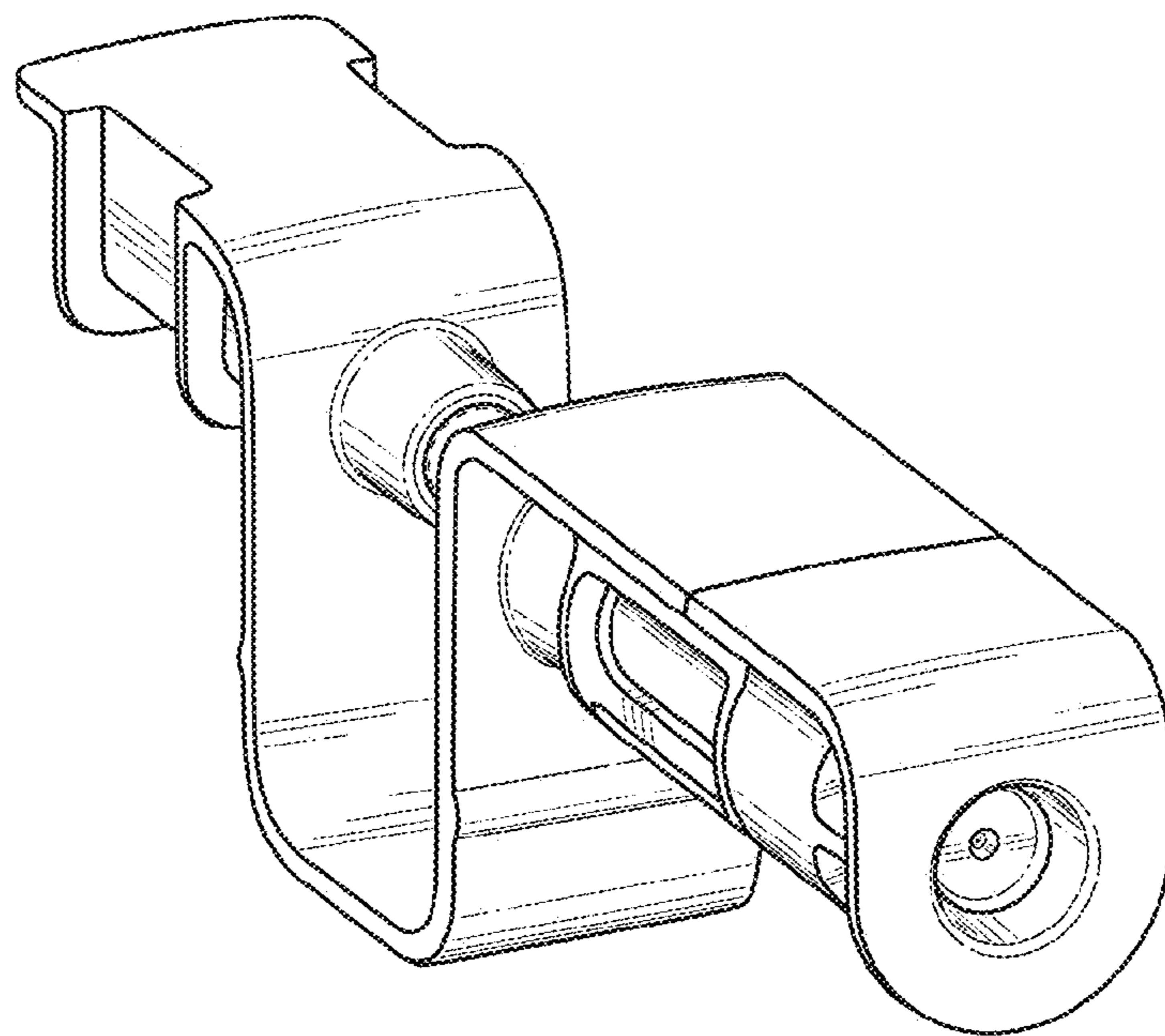


FIG. 4

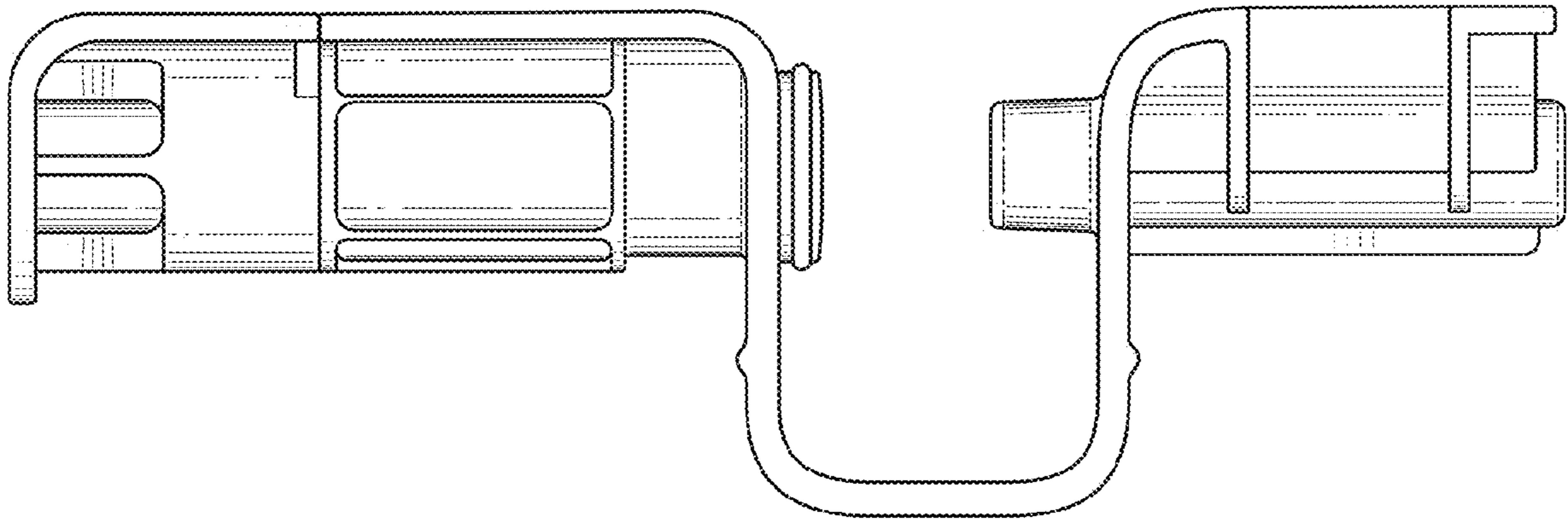


FIG. 5

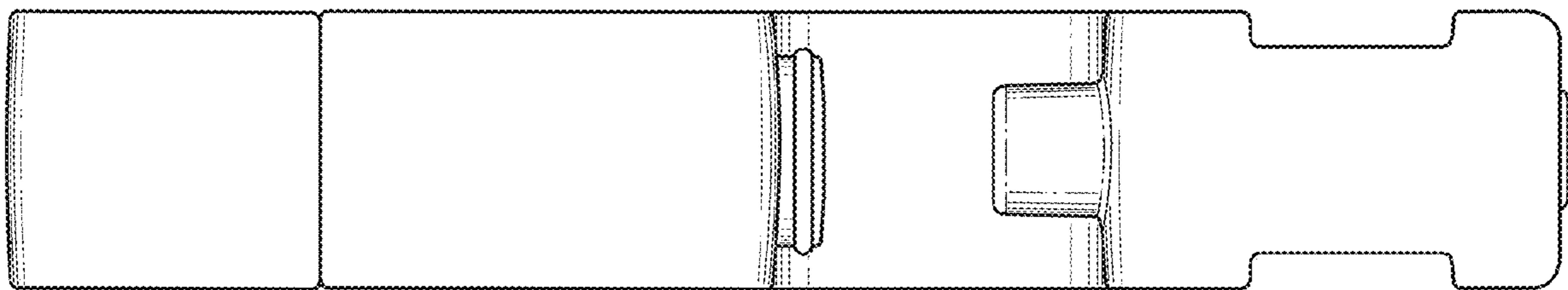


FIG. 6

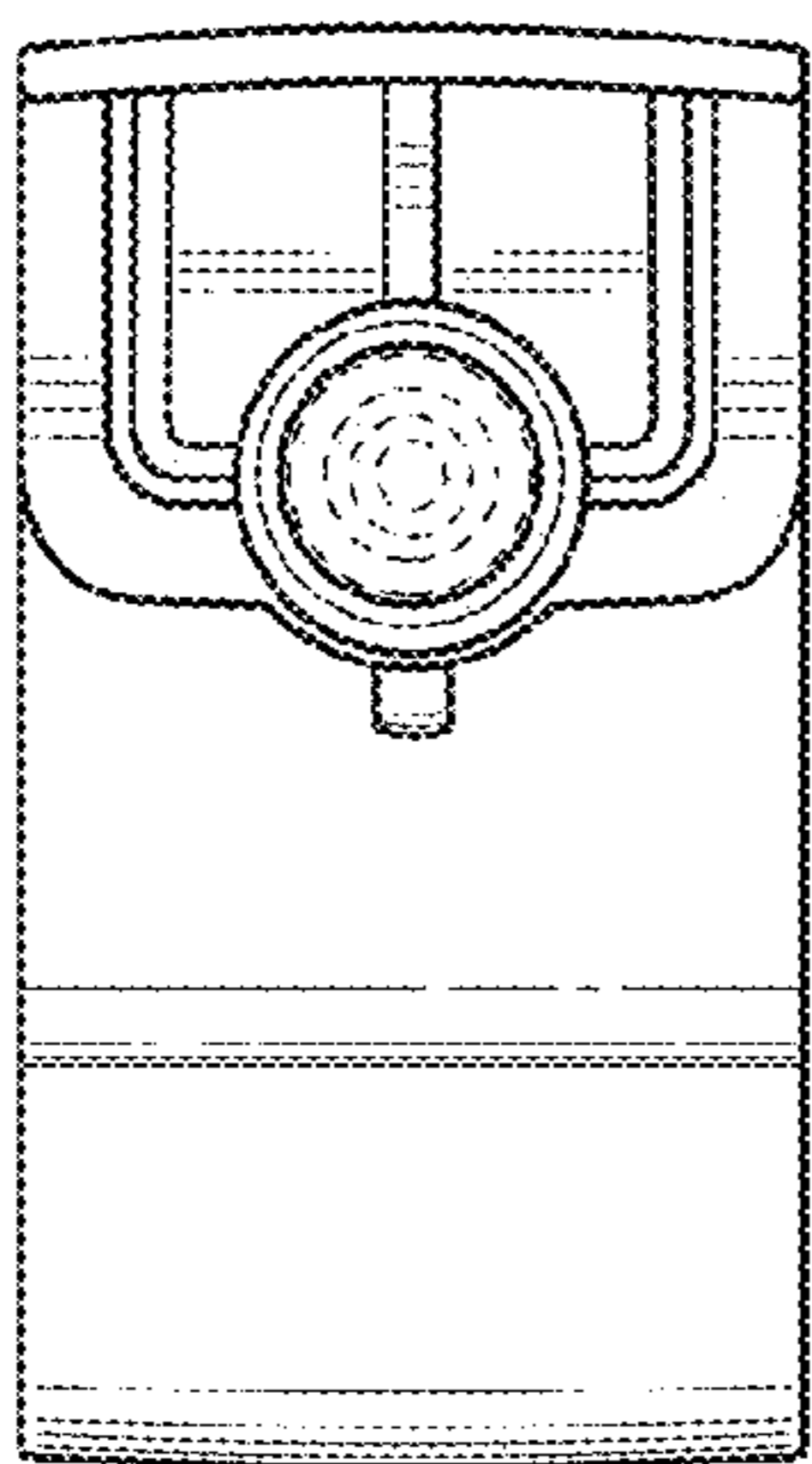


FIG. 7

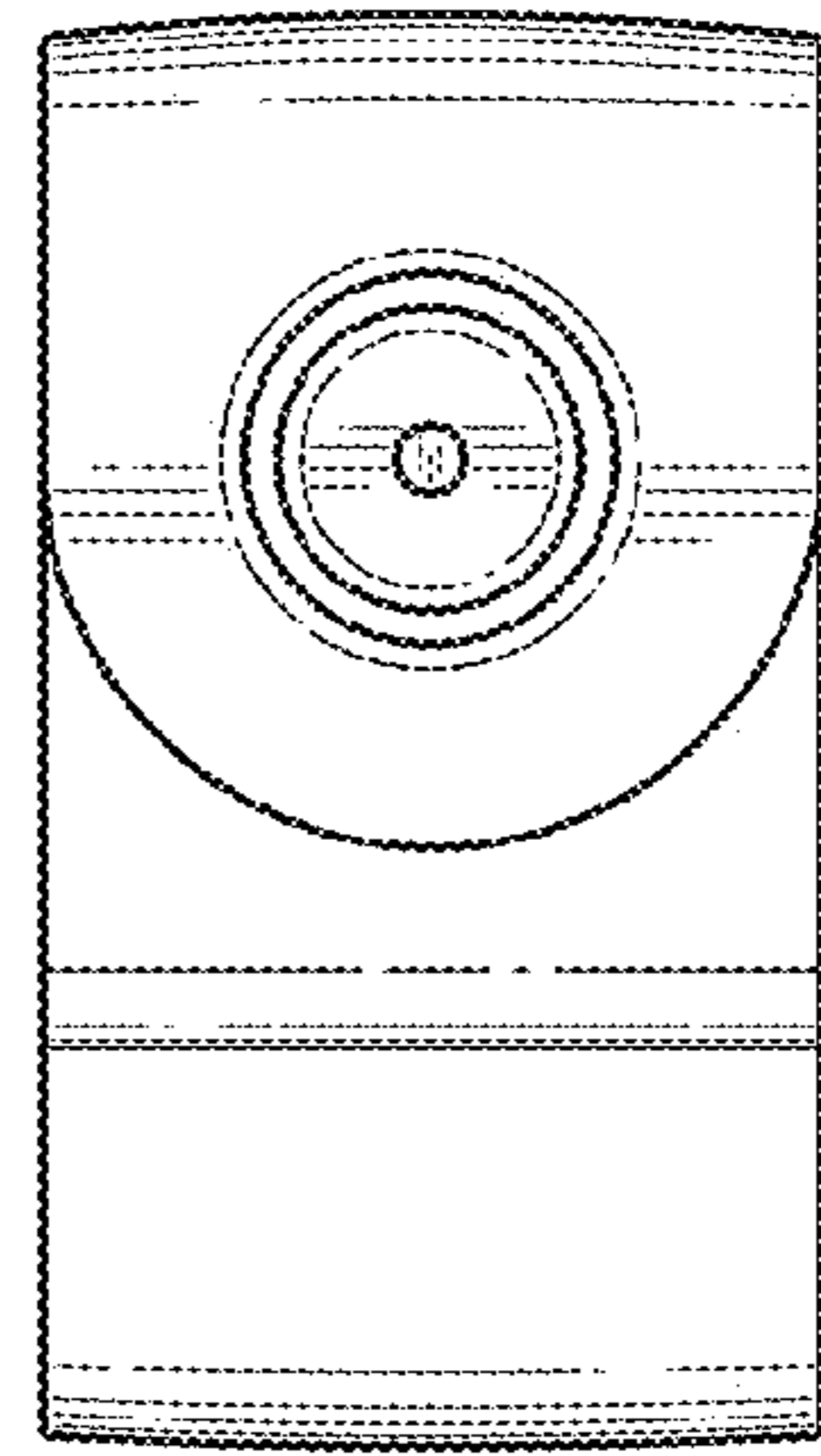


FIG. 8