



US00D892348S

(12) **United States Design Patent**
Matsuyama et al.

(10) **Patent No.:** **US D892,348 S**
(45) **Date of Patent:** **** Aug. 4, 2020**

(54) **GENETIC TESTING MACHINE**
(71) Applicant: **KABUSHIKI KAISHA Mirai**
Genomics, Yokohama-shi, Kanagawa
(JP)
(72) Inventors: **Norihiro Matsuyama, Kanagawa (JP);**
Koya Kurokawa, Ehime (JP)
(73) Assignee: **KABUSHIKI KAISHA Mirai**
Genomics, Kanagawa (JP)

D574,961 S * 8/2008 Kitahara D24/186
D598,551 S * 8/2009 Miwa D24/186
D621,523 S * 8/2010 Onuma D24/234
D731,673 S * 6/2015 Klein D24/232
D818,146 S * 5/2018 Tanaka D24/216
D819,225 S * 5/2018 Mead D24/233
D853,873 S * 7/2019 Schueren D10/81
D854,188 S * 7/2019 Schaecken D24/232
D865,218 S * 10/2019 Mathers D24/232
2013/0337432 A1* 12/2013 Cook G01N 21/66
435/2
2016/0361719 A1* 12/2016 Courtney B01L 3/50851

(**) Term: **15 Years**

(21) Appl. No.: **29/663,165**

(22) Filed: **Sep. 12, 2018**

(30) **Foreign Application Priority Data**

Mar. 13, 2018 (JP) 2018-005209

(51) **LOC (12) Cl.** **24-01**

(52) **U.S. Cl.**
USPC **D24/216**

(58) **Field of Classification Search**
USPC D24/186, 107-108, 169, 216-219,
D24/223-225, 229-233; D10/81
CPC Y10S 436/806; Y10S 436/809; Y10S
977/918; B01D 15/3804; B01D 15/10;
B01D 15/3809; B01D 15/3857; B01L
2300/0867; B01L 7/52; G06K 9/00127;
G01N 33/53; G01N 2035/00306; G01N
2035/00326; G01N 2035/00336; G01N
2035/00366

See application file for complete search history.

(56) **References Cited**

U.S. PATENT DOCUMENTS

D430,304 S * 8/2000 Oonuma D24/232
D571,474 S * 6/2008 Sjo-Gaber D24/186

* cited by examiner

Primary Examiner — Lilyana Bekic

Assistant Examiner — Mary Shannon Malley

(74) *Attorney, Agent, or Firm* — Hamre, Schumann,
Mueller & Larson, P.C.

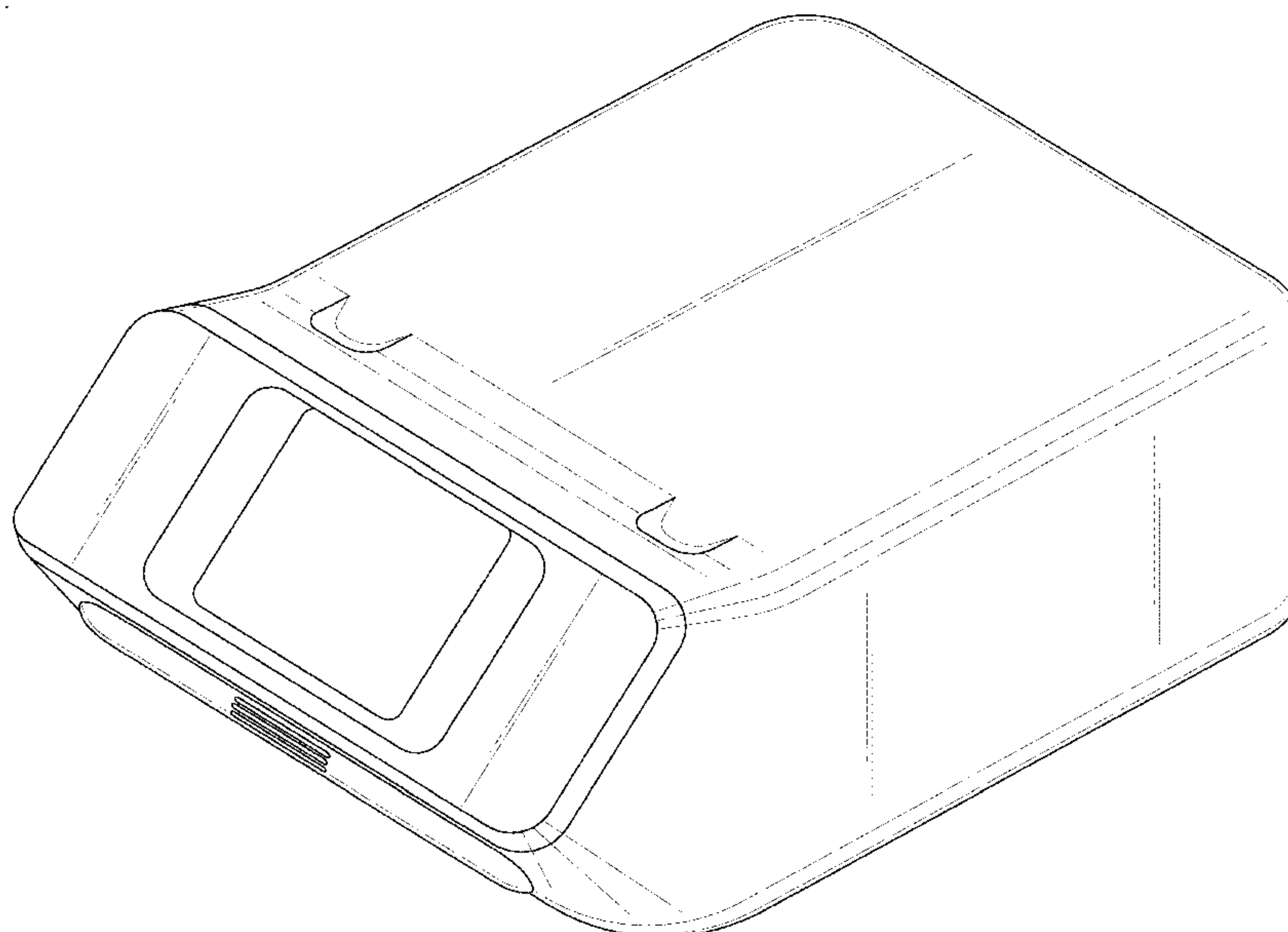
(57) **CLAIM**

The ornamental design for a genetic testing machine, as shown and described.

DESCRIPTION

FIG. 1 is a front elevational view of a genetic testing machine, showing our new design;
FIG. 2 is a back view thereof;
FIG. 3 is a left side view thereof;
FIG. 4 is a right side view thereof;
FIG. 5 is a top plan view thereof;
FIG. 6 is a bottom plan view thereof;
FIG. 7 is a front and top perspective view thereof;
FIG. 8 is a front and bottom perspective view thereof; and,
FIG. 9 is a back and bottom perspective view thereof.

1 Claim, 9 Drawing Sheets



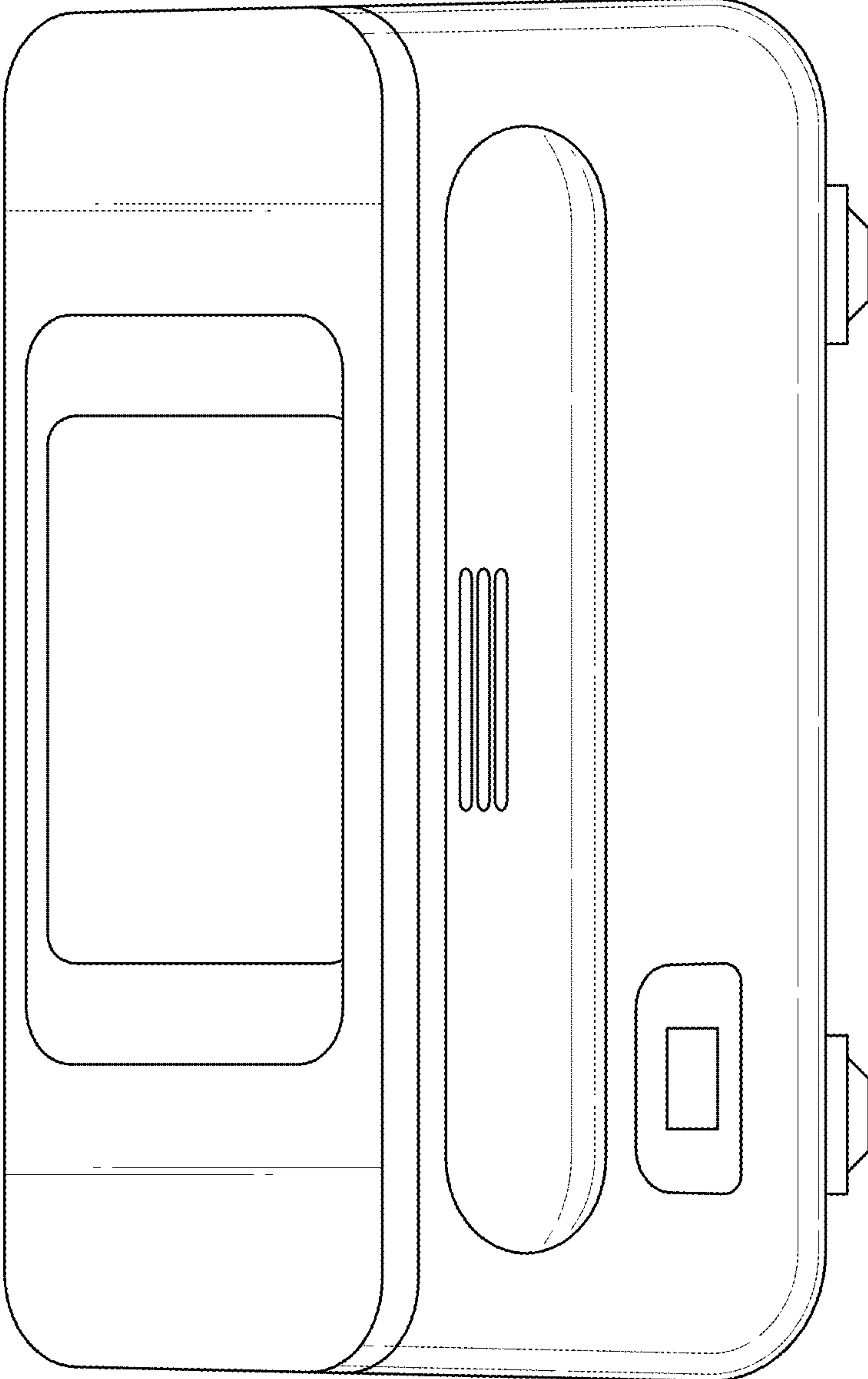


Fig. 1

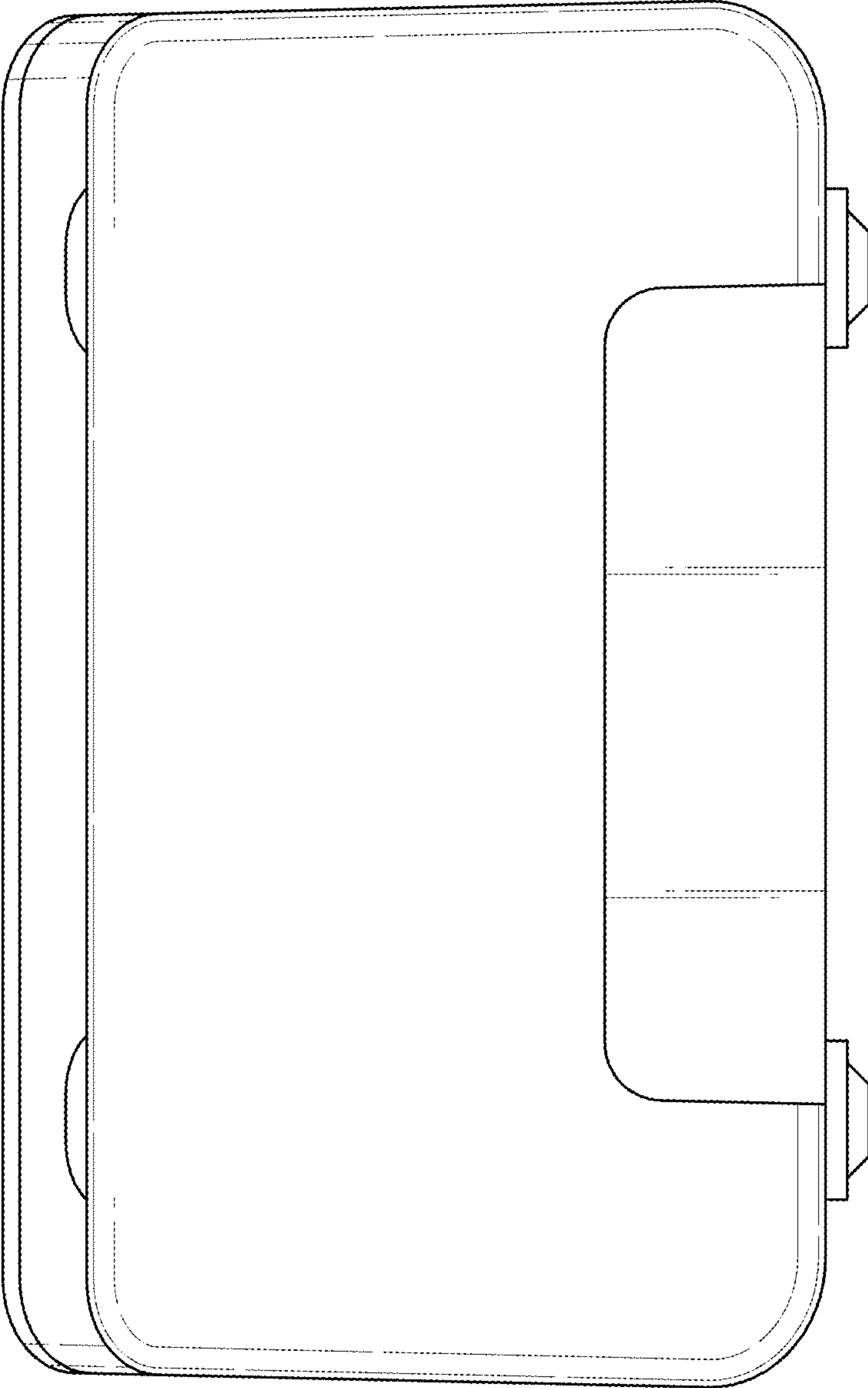


Fig. 2

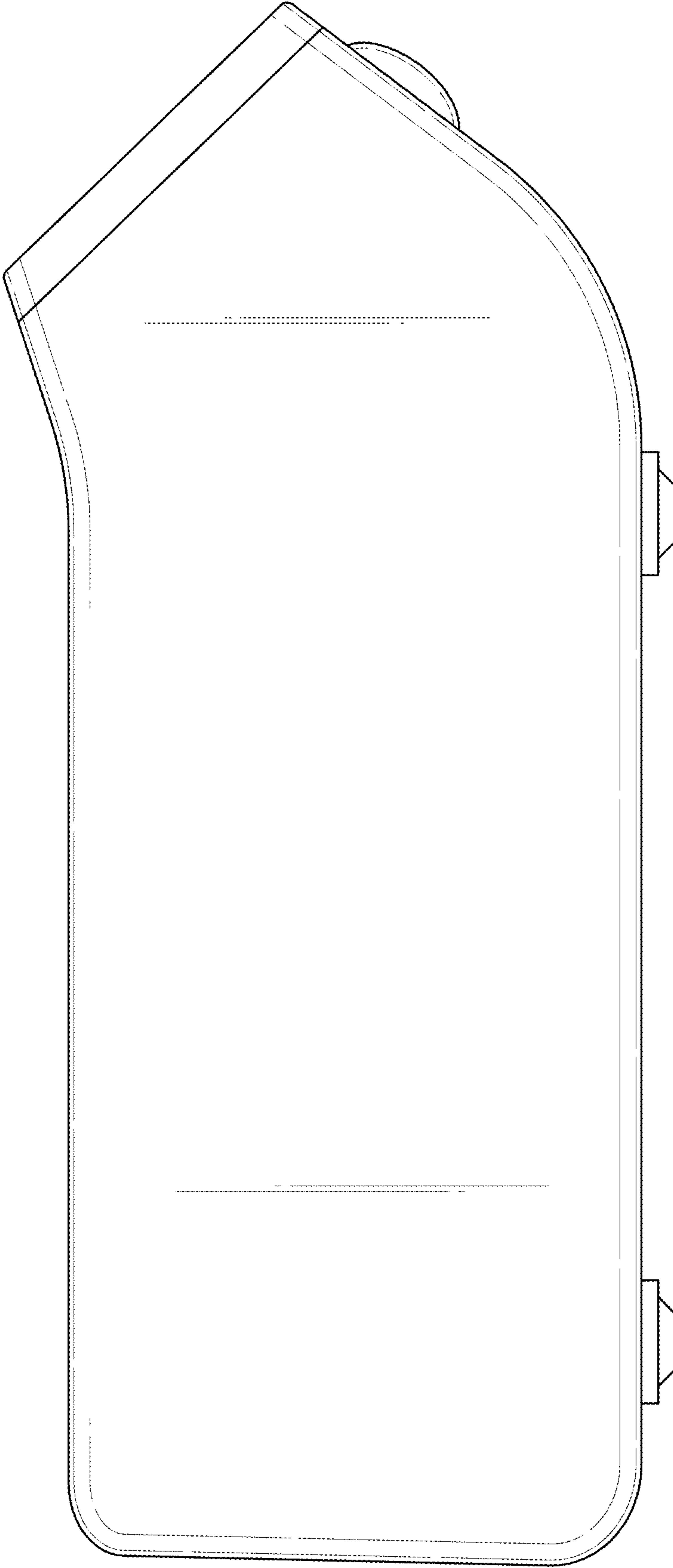


Fig. 3

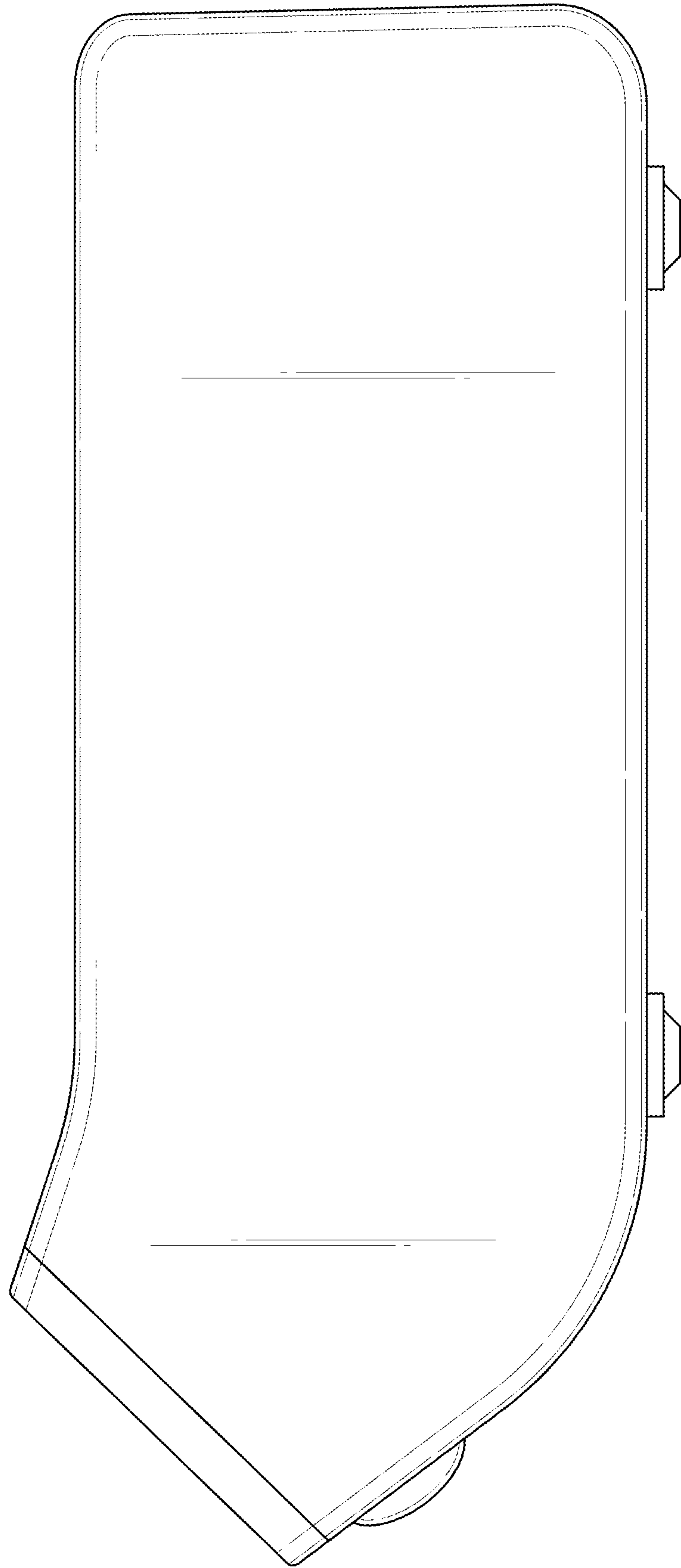


Fig. 4

Fig. 5

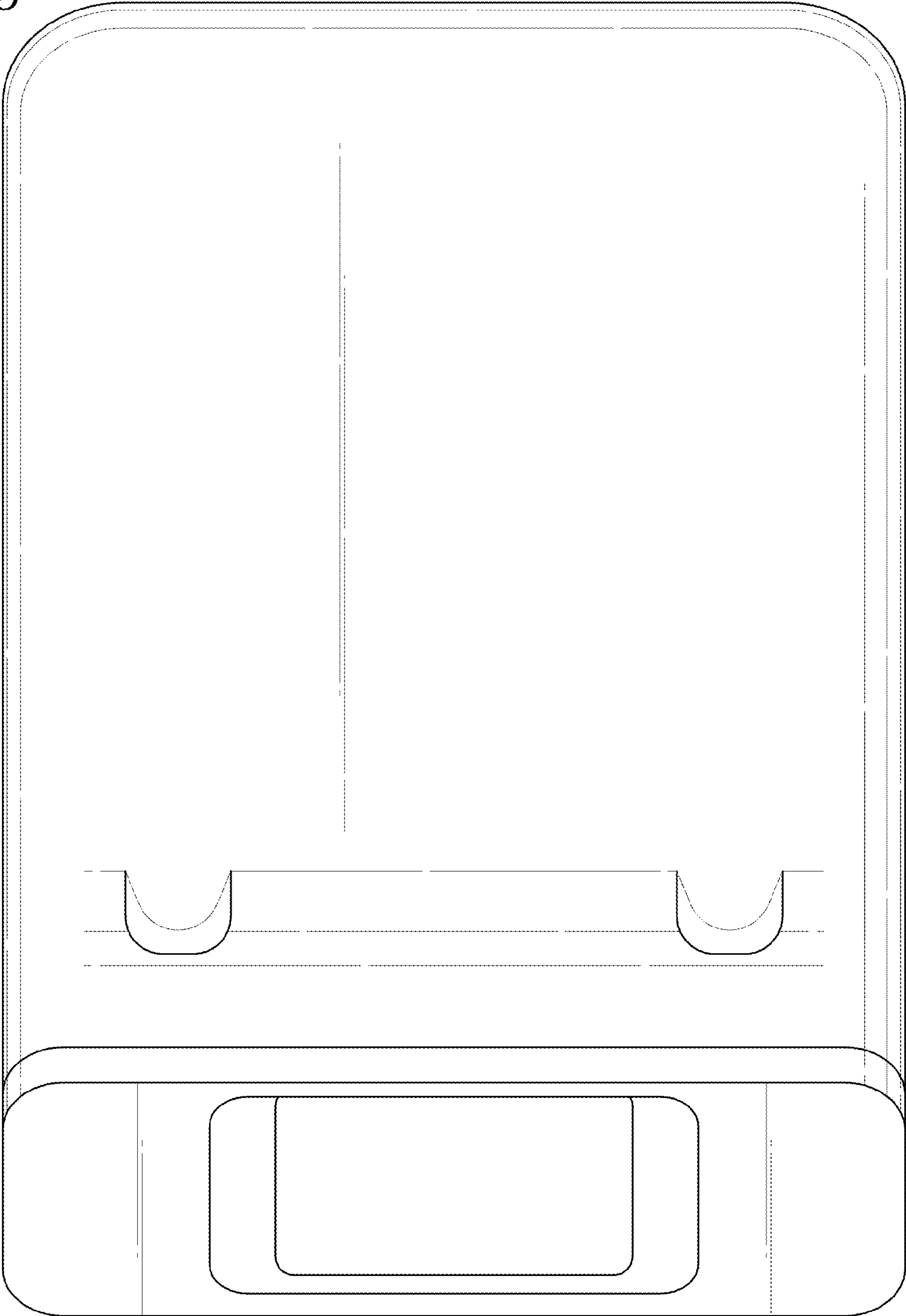
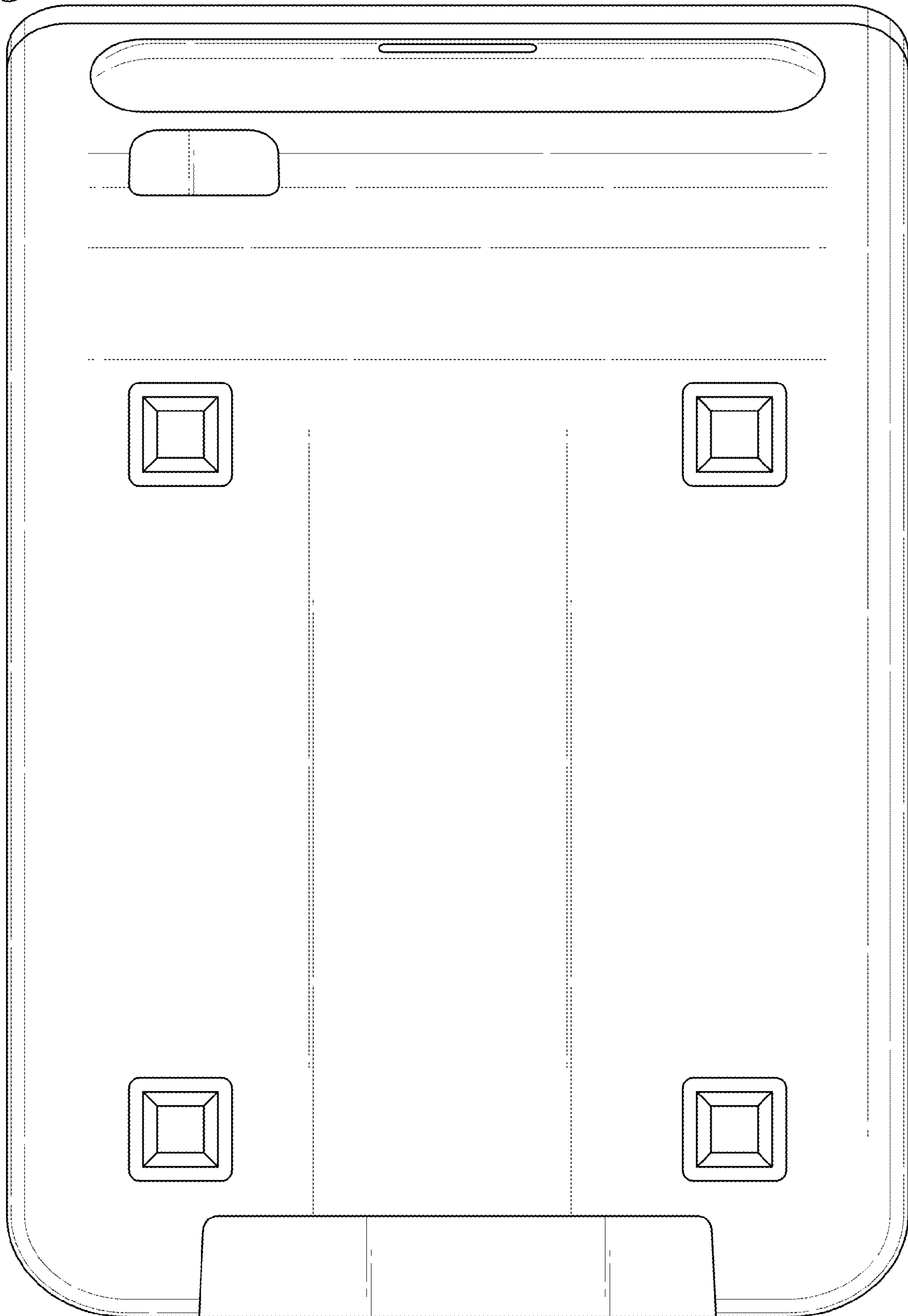


Fig. 6



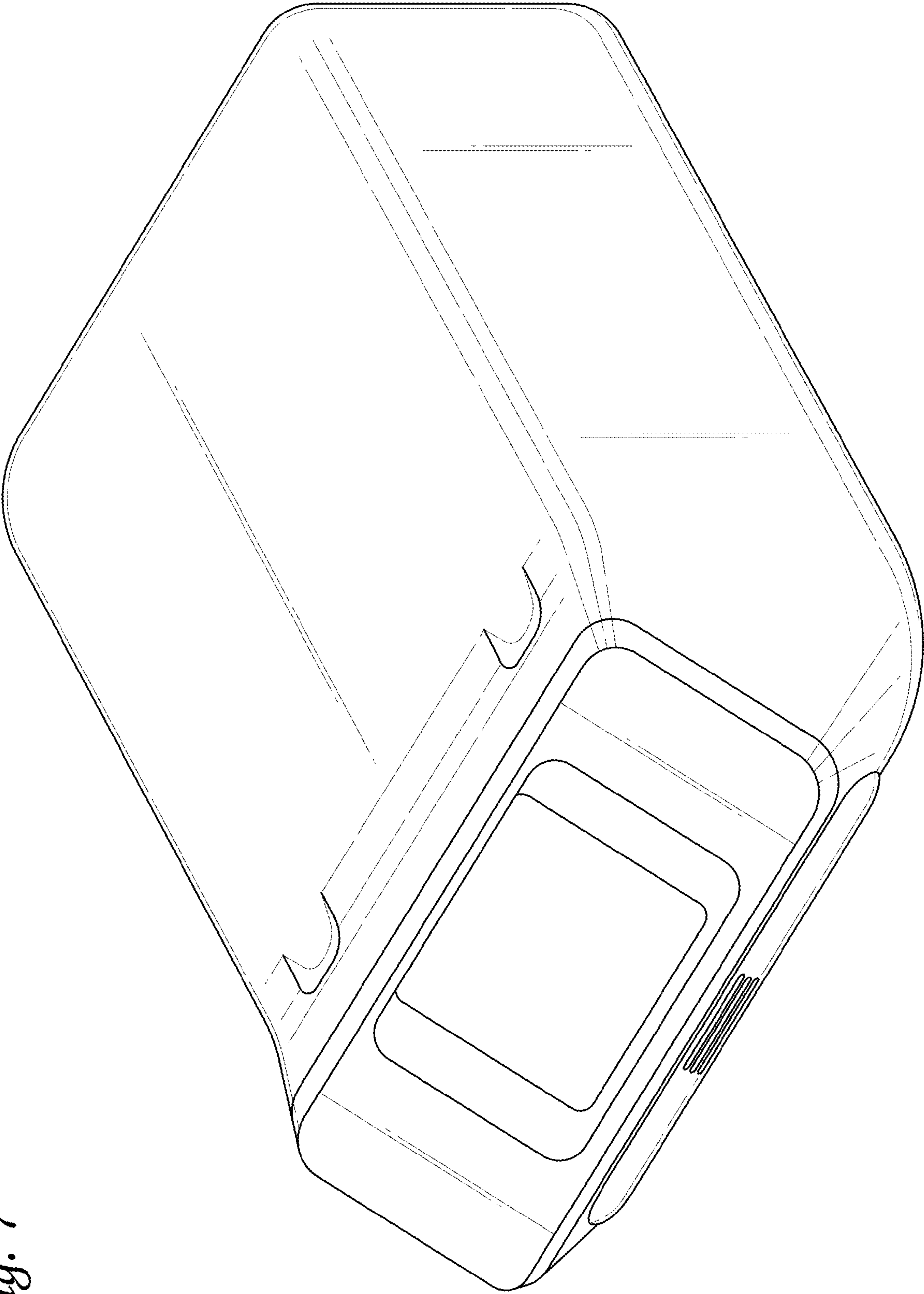


Fig. 7

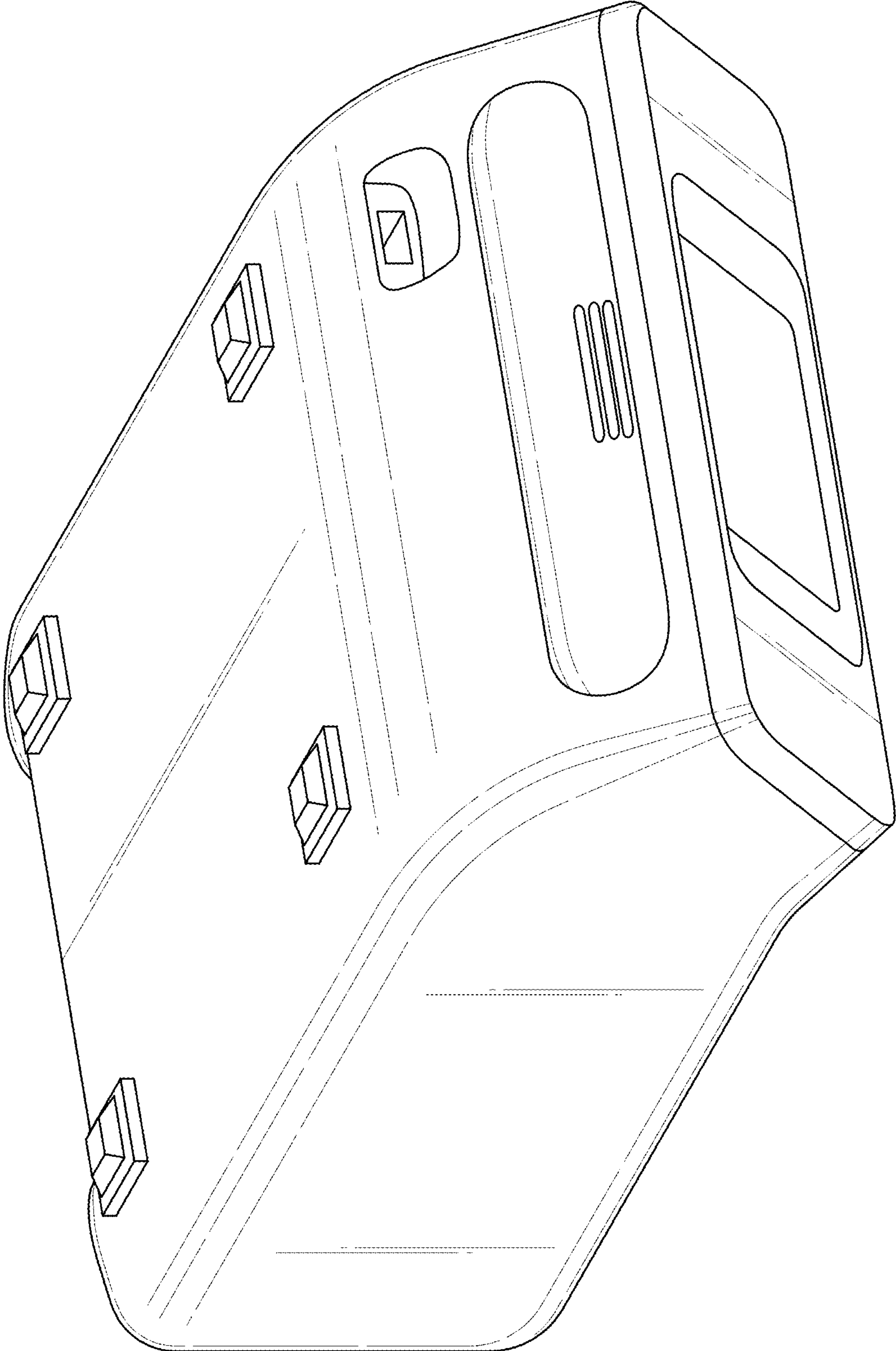


Fig. 8

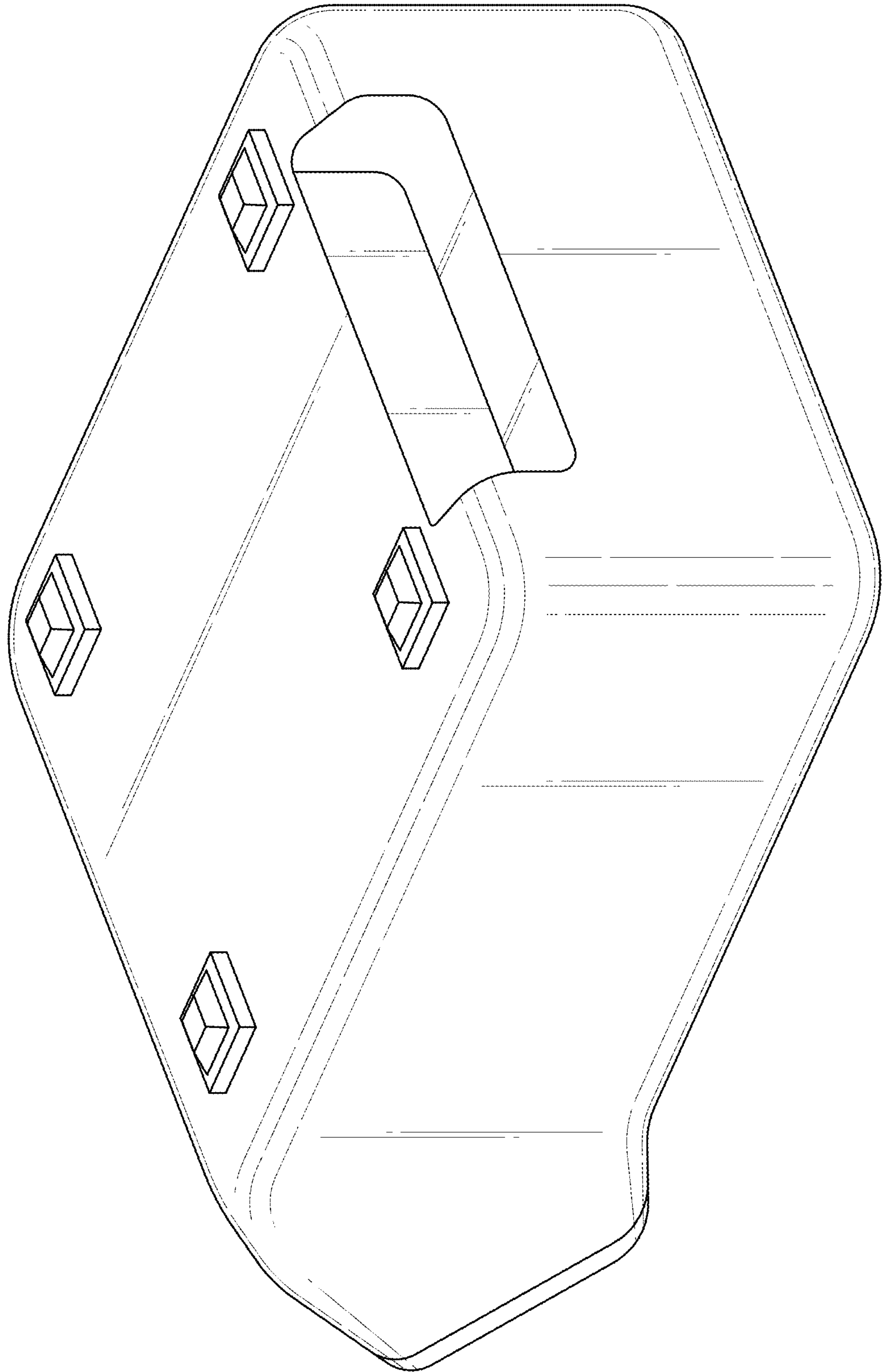


Fig. 9