

US00D892341S

(12) **United States Design Patent**
Cheng et al.

(10) **Patent No.:** **US D892,341 S**

(45) **Date of Patent:** **** Aug. 4, 2020**

(54) **INTRACAVITARY ULTRASONIC PROBE**

(71) Applicant: **EDAN INSTRUMENTS, INC.**,
Shenzhen (CN)

(72) Inventors: **Jiudong Cheng**, Shenzhen (CN); **Hua Luo**, Shenzhen (CN)

(73) Assignee: **EDAN INSTRUMENTS, INC.**,
Shenzhen (CN)

(**) Term: **15 Years**

(21) Appl. No.: **29/669,635**

(22) Filed: **Nov. 9, 2018**

(30) **Foreign Application Priority Data**

Jul. 10, 2018 (CN) 2018 3 0369316

(51) **LOC (12) Cl.** **24-02**

(52) **U.S. Cl.**
USPC **D24/187**

(58) **Field of Classification Search**
USPC D24/133, 137, 138, 141, 158, 160, 164,
D24/165, 167, 170, 186, 187, 200;
D10/57, 60, 78, 80

(Continued)

(56) **References Cited**

U.S. PATENT DOCUMENTS

D334,147 S * 3/1993 Aukstikalnis D10/80
5,381,795 A * 1/1995 Nordgren A61B 8/12
600/472

(Continued)

FOREIGN PATENT DOCUMENTS

CN 201430231079 * 7/2014

OTHER PUBLICATIONS

Edan USA Transducer, Transvaginal Arraye612UB 128Element—
E612UB. Online, published date Nov. 14, 2019. Retrieved on Feb.

24, 2020 from URL: https://serfinitymedical.com/products/edan-usa-transducer-transvaginal-arraye612ub-128element-edan-usa-e612ub-1108312?variant=30913530167371&gclid=EAAlQobChMIoY6d-szq5wIVCaCzCh30.*

Primary Examiner — Susan Bennett Hattan

Assistant Examiner — Omeed Agilee

(57) **CLAIM**

The ornamental design for an intracavitary ultrasonic probe, as shown and described.

DESCRIPTION

FIG. 1 is a perspective view of an intracavitary ultrasonic probe;

FIG. 2 is a front view of the intracavitary ultrasonic probe;

FIG. 3 is a rear view of the intracavitary ultrasonic probe;

FIG. 4 is a left side view of the intracavitary ultrasonic probe;

FIG. 5 is a right side view of the intracavitary ultrasonic probe;

FIG. 6 is an enlarged top view of the intracavitary ultrasonic probe;

FIG. 7 is an enlarged bottom view of the intracavitary ultrasonic probe;

FIG. 8 is an enlarged view of area 8 circumscribed in FIG. 1;

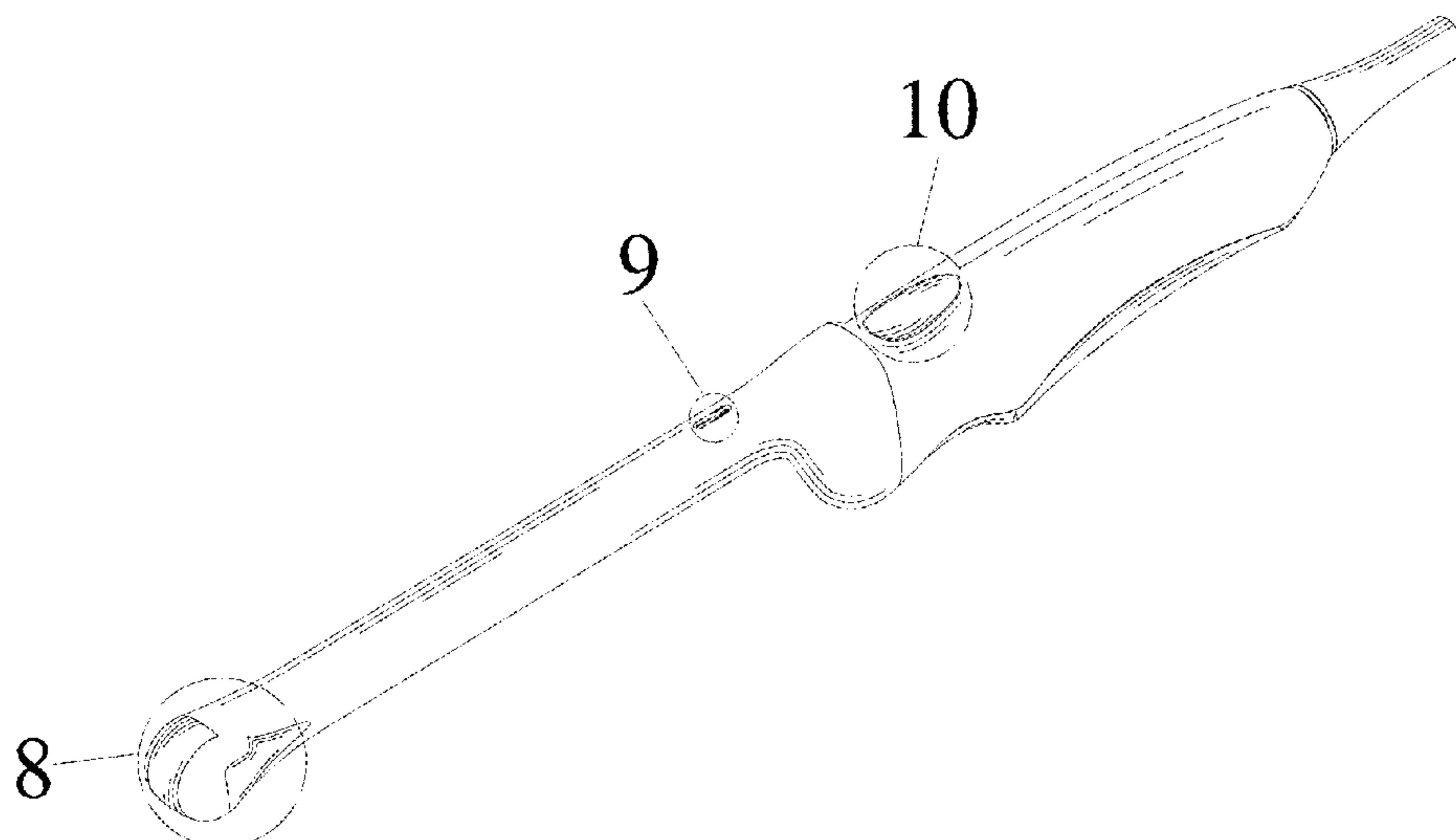
FIG. 9 is an enlarged view of area 9 circumscribed in FIG. 1;

FIG. 10 is an enlarged view of area 10 circumscribed in FIG. 1; and,

FIG. 11 is an enlarged view of area 11 circumscribed in FIG. 5.

The long dash lines in the drawings depict the boundaries of the enlarged views and form no part of the claimed design. The short dash line shown in FIG. 7 depict portions of the intracavitary ultrasonic probe that form no part of the claimed design.

1 Claim, 11 Drawing Sheets



(58) **Field of Classification Search**

CPC A61B 5/0095; A61B 8/4444; G01S 7/5208

See application file for complete search history.

(56) **References Cited**

U.S. PATENT DOCUMENTS

D441,310 S *	5/2001	Bauman	D10/78
D536,450 S *	2/2007	Ryan	D24/144
D616,992 S *	6/2010	Kitayama	D24/186
D697,627 S *	1/2014	Takano	D24/187
D701,606 S *	3/2014	Ohmukai	D24/187
D703,331 S *	4/2014	Kitayama	D24/187
D703,333 S *	4/2014	Saeki	D24/187
D703,822 S *	4/2014	Moon	D24/187
D728,802 S *	5/2015	Matsumura	D24/187
D748,808 S *	2/2016	Matsumura	D24/187
D818,594 S *	5/2018	Asai	D24/187
D822,218 S *	7/2018	Asai	D24/187
2019/0090850 A1 *	3/2019	Gran	A61B 8/467

* cited by examiner

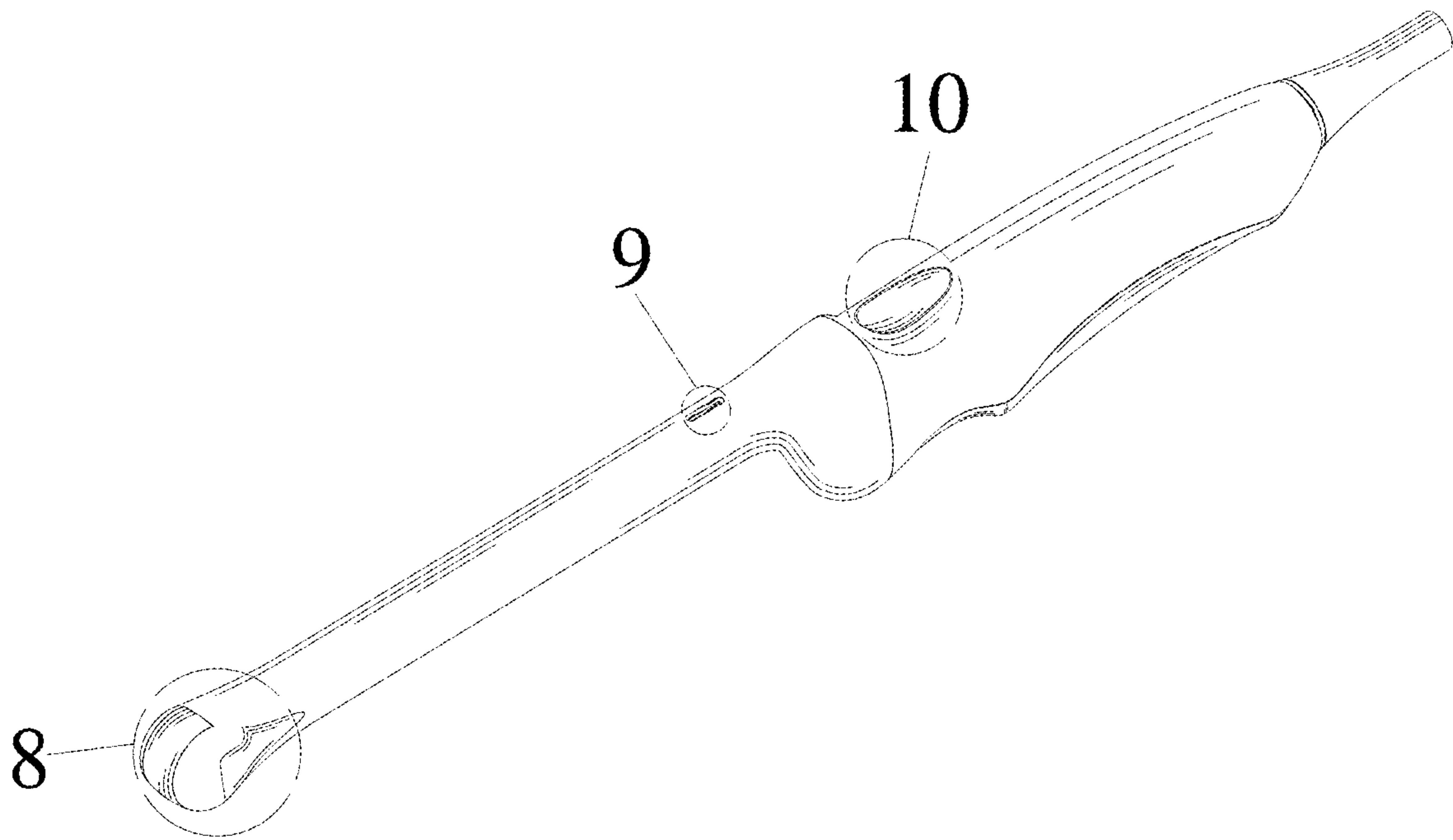


FIG. 1

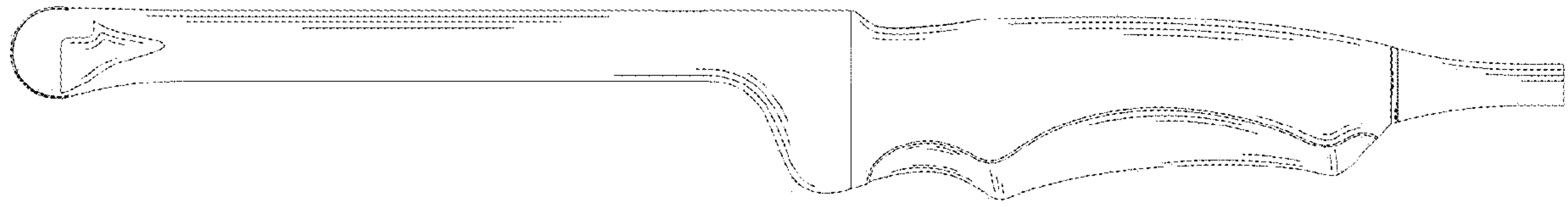


FIG. 2

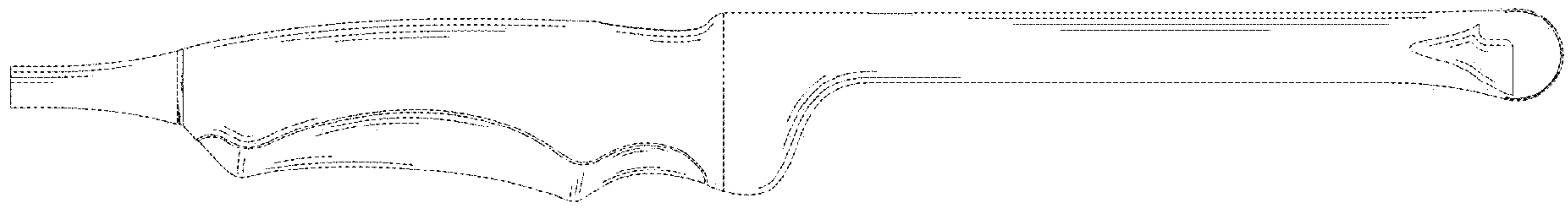


FIG. 3

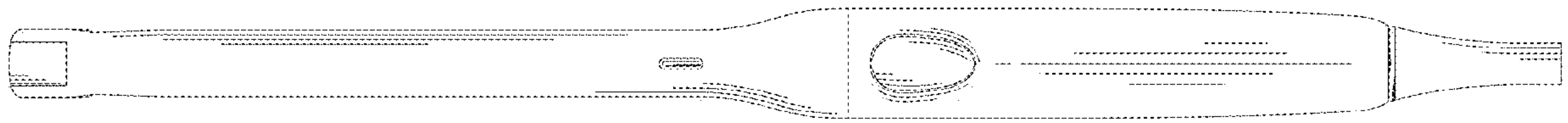


FIG. 4

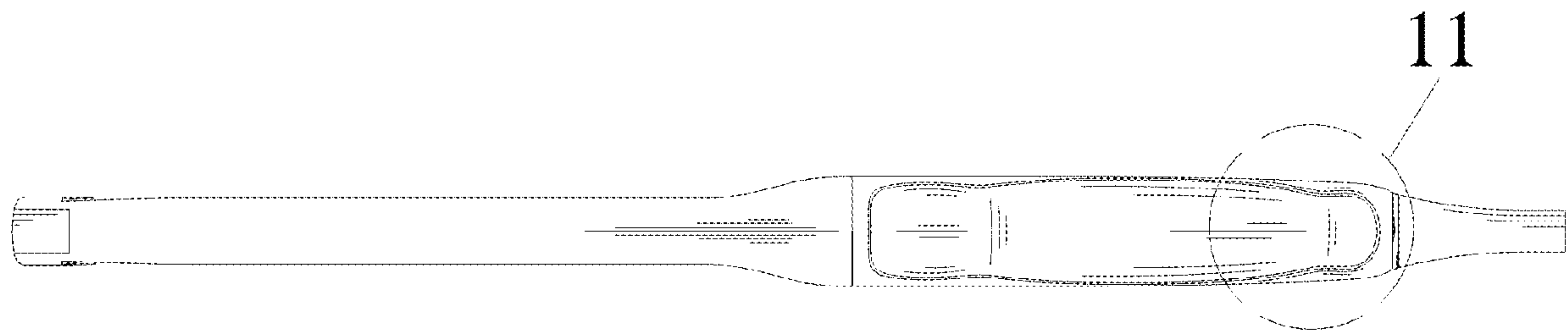


FIG. 5

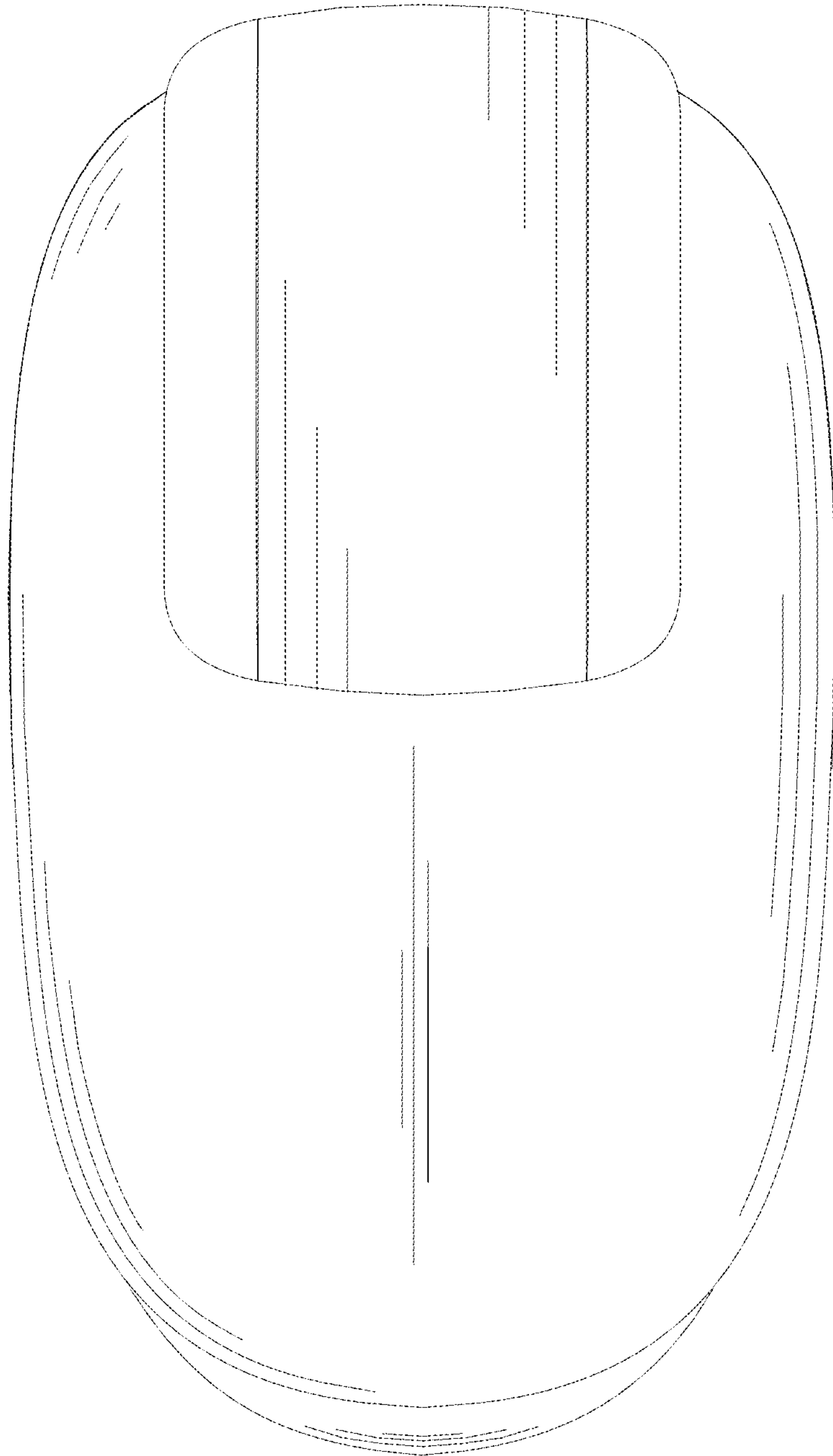


FIG. 6

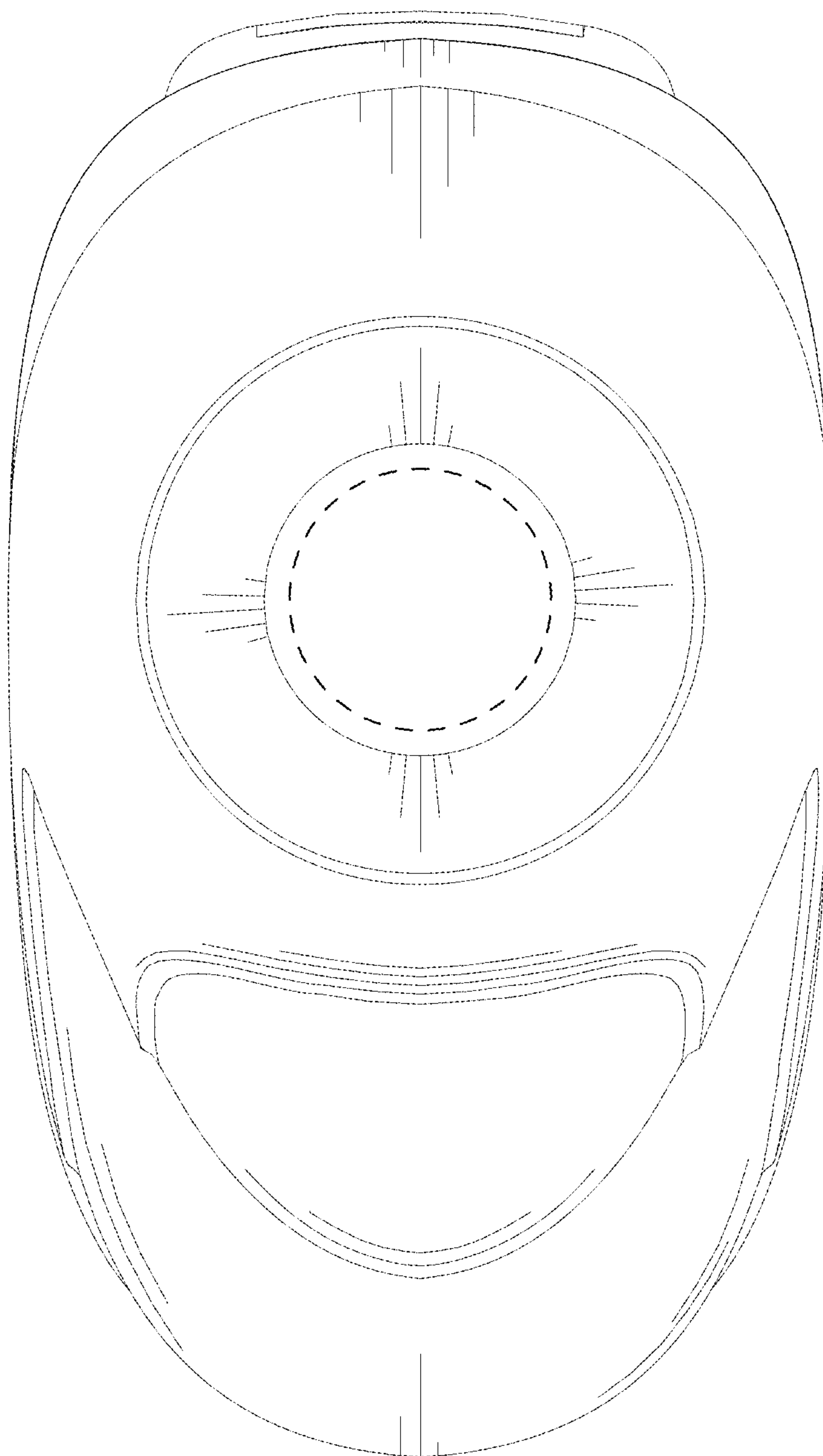


FIG. 7

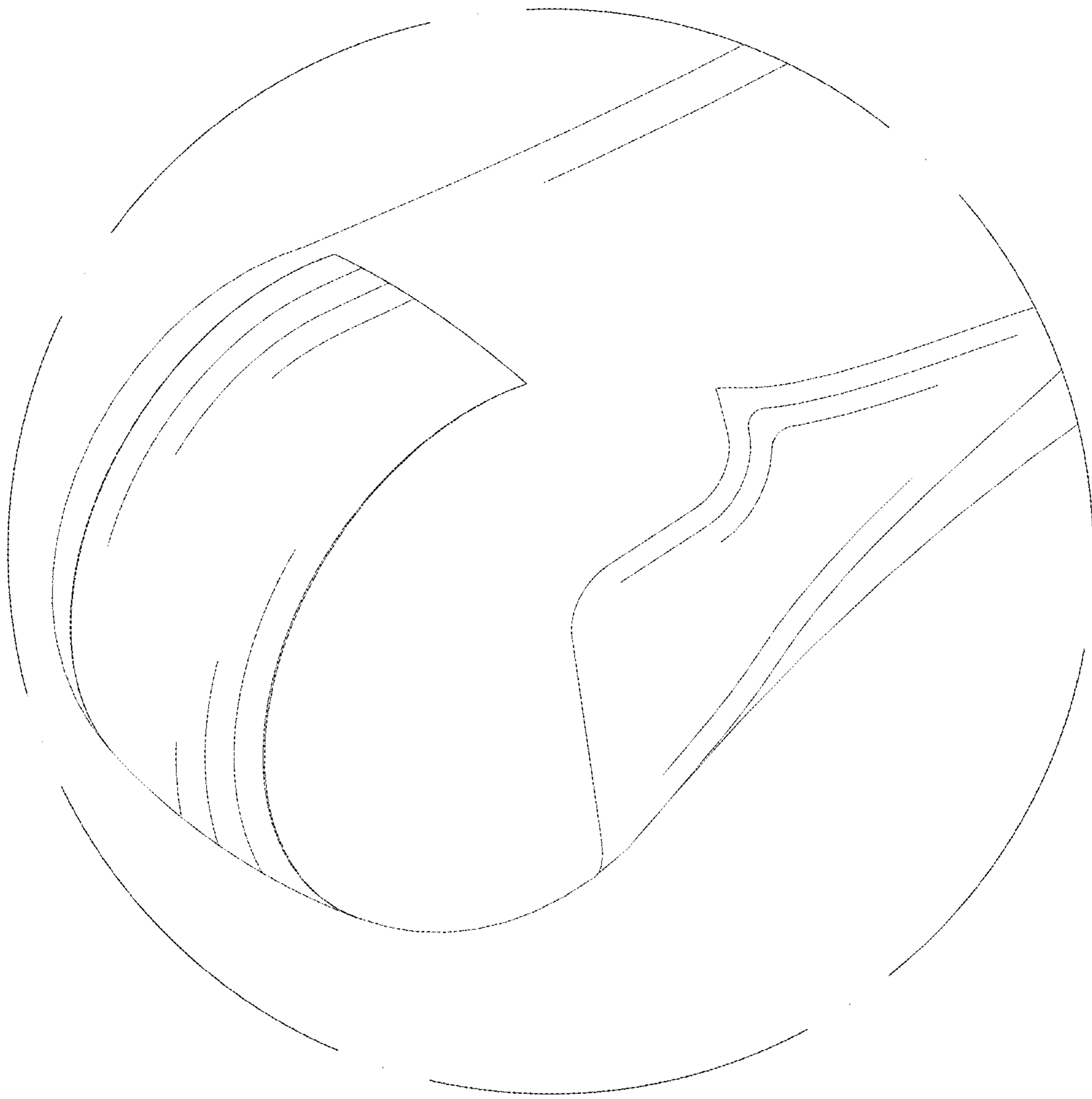


FIG. 8

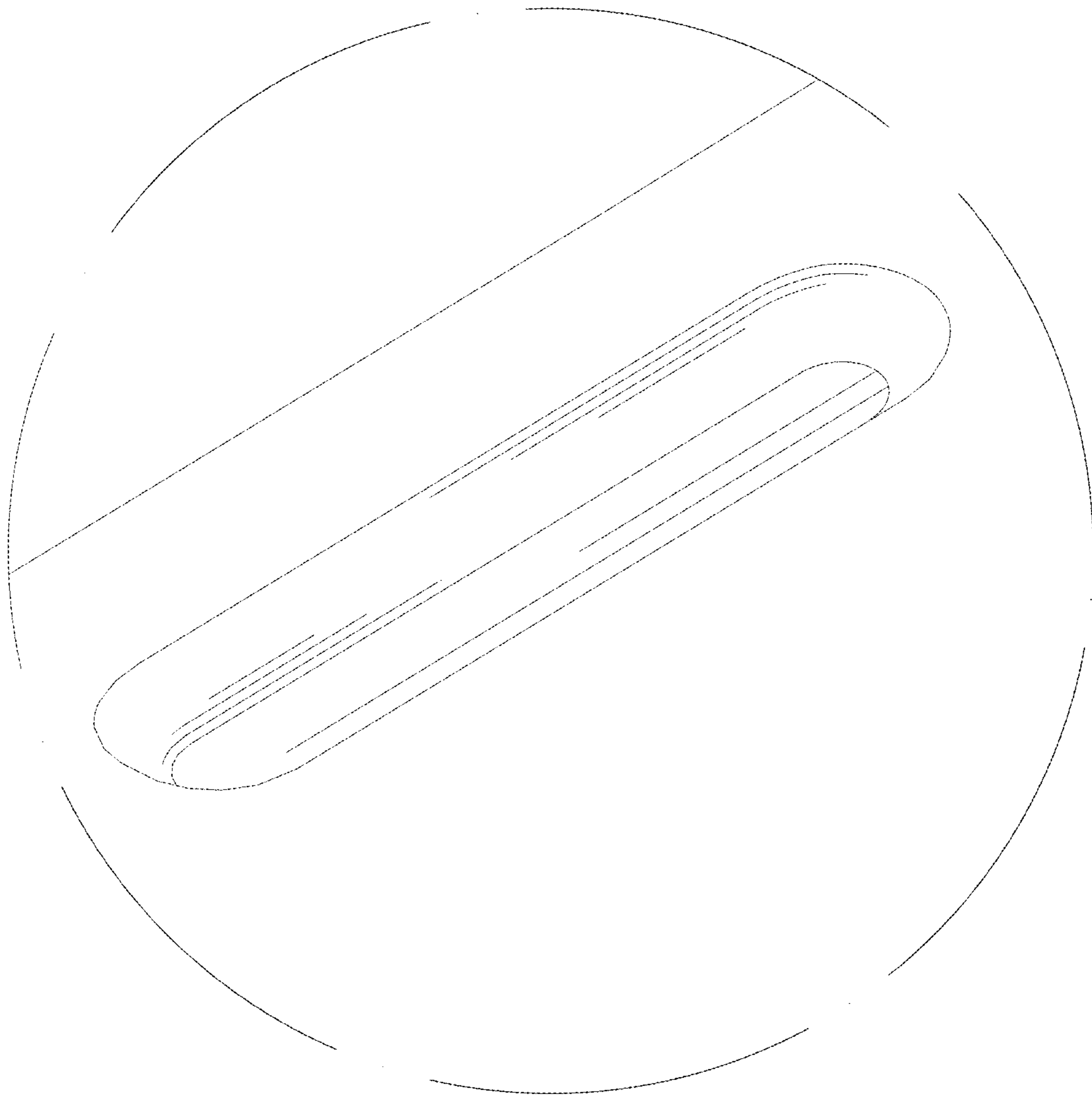


FIG. 9



FIG. 10

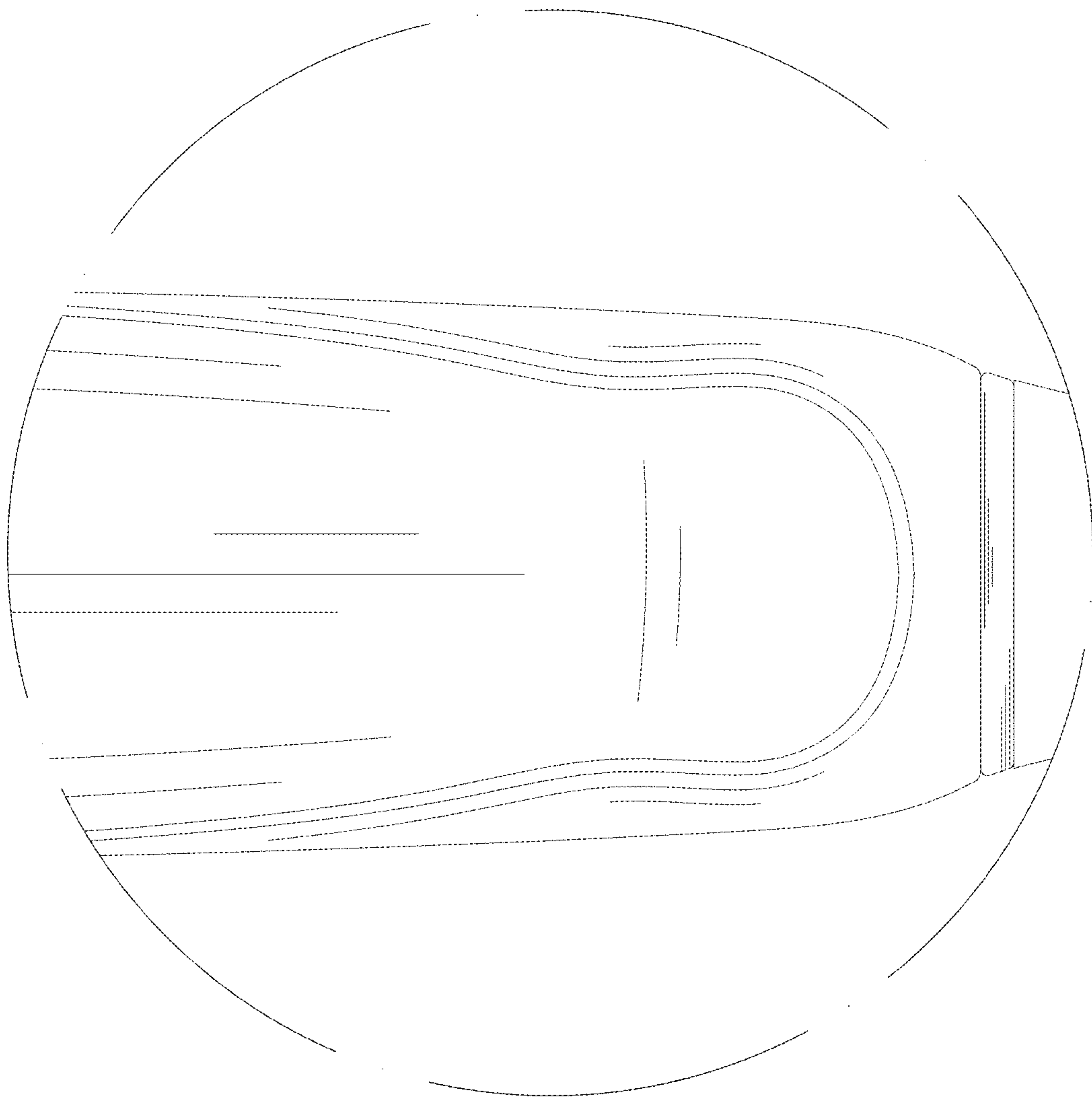


FIG. 11