



US00D892339S

(12) **United States Design Patent** (10) **Patent No.:** **US D892,339 S**
Frei (45) **Date of Patent:** **** Aug. 4, 2020**

(54) **BLANK HOLDER**
(71) Applicant: **Ivoclar Vivadent AG**, Schaan (LI)
(72) Inventor: **Christian Frei**, Naturns (IT)
(73) Assignee: **Ivoclar Vivadent AG**, Schaan (LI)
(**) Term: **15 Years**
(21) Appl. No.: **29/694,951**
(22) Filed: **Jun. 14, 2019**

D714,943 S 10/2014 Ganley et al.
D722,169 S * 2/2015 Ganley A61C 13/0022
D24/181
D816,230 S 4/2018 Konrad
10,010,386 B2 7/2018 Sellers et al.
2009/0275000 A1* 11/2009 Jung A61C 13/0004
433/223
2016/0158903 A1 6/2016 Konrad
2016/0193020 A1 7/2016 Fix
2018/0257187 A1* 9/2018 Grobbee B23Q 3/062
2019/0046305 A1* 2/2019 Gebhardt A61C 13/0022
2019/0274798 A1* 9/2019 Kutzner A61C 13/0022

* cited by examiner

Primary Examiner — Wan Laymon

(74) Attorney, Agent, or Firm — Ann M. Knab; Thad McMurray

Related U.S. Application Data

(62) Division of application No. 29/593,201, filed on Feb. 7, 2017, now Pat. No. Des. 857,207.

Foreign Application Priority Data

Dec. 23, 2016 (WO) 58947

(51) **LOC (12) Cl.** **24-02**

(52) **U.S. Cl.**
USPC **D24/181**

(58) **Field of Classification Search**
USPC D24/152, 155–156, 176, 181
CPC . A61C 13/00; A61C 13/0003; A61C 13/0009;
A61C 13/0019; A61C 13/0022; A61C
13/34; B23Q 3/062; B23Q 3/103
See application file for complete search history.

(56) **References Cited**

U.S. PATENT DOCUMENTS

D675,325 S 1/2013 Ganley et al.
8,551,622 B2 10/2013 Ganley et al.
8,568,897 B2 10/2013 Ganley et al.

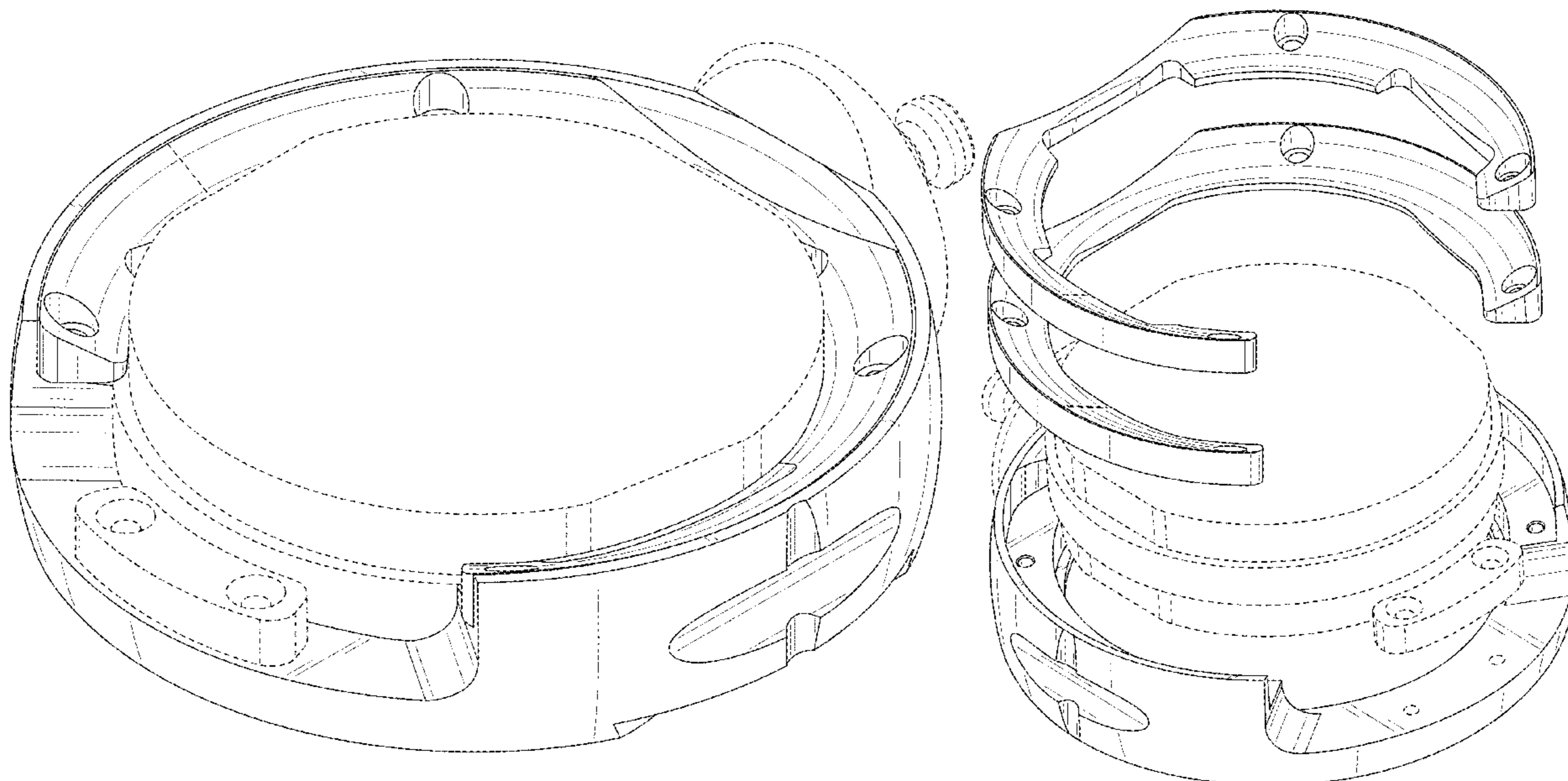
(57) **CLAIM**

The ornamental design for a blank holder, as shown and described.

DESCRIPTION

FIG. 1 is a perspective view of a blank holder, showing my new design
FIG. 2 is a front view thereof.
FIG. 3 is a rear view thereof.
FIG. 4 is a left side view thereof.
FIG. 5 is a right side view thereof.
FIG. 6 is a top plan view thereof.
FIG. 7 is a bottom plan view thereof; and,
FIG. 8 is an exploded view thereof.
The broken lines shown in the figures are included for the purpose of illustrating portions of the blank holder and/or a blank positioned in the blank holder and form no part of the claimed design.

1 Claim, 6 Drawing Sheets



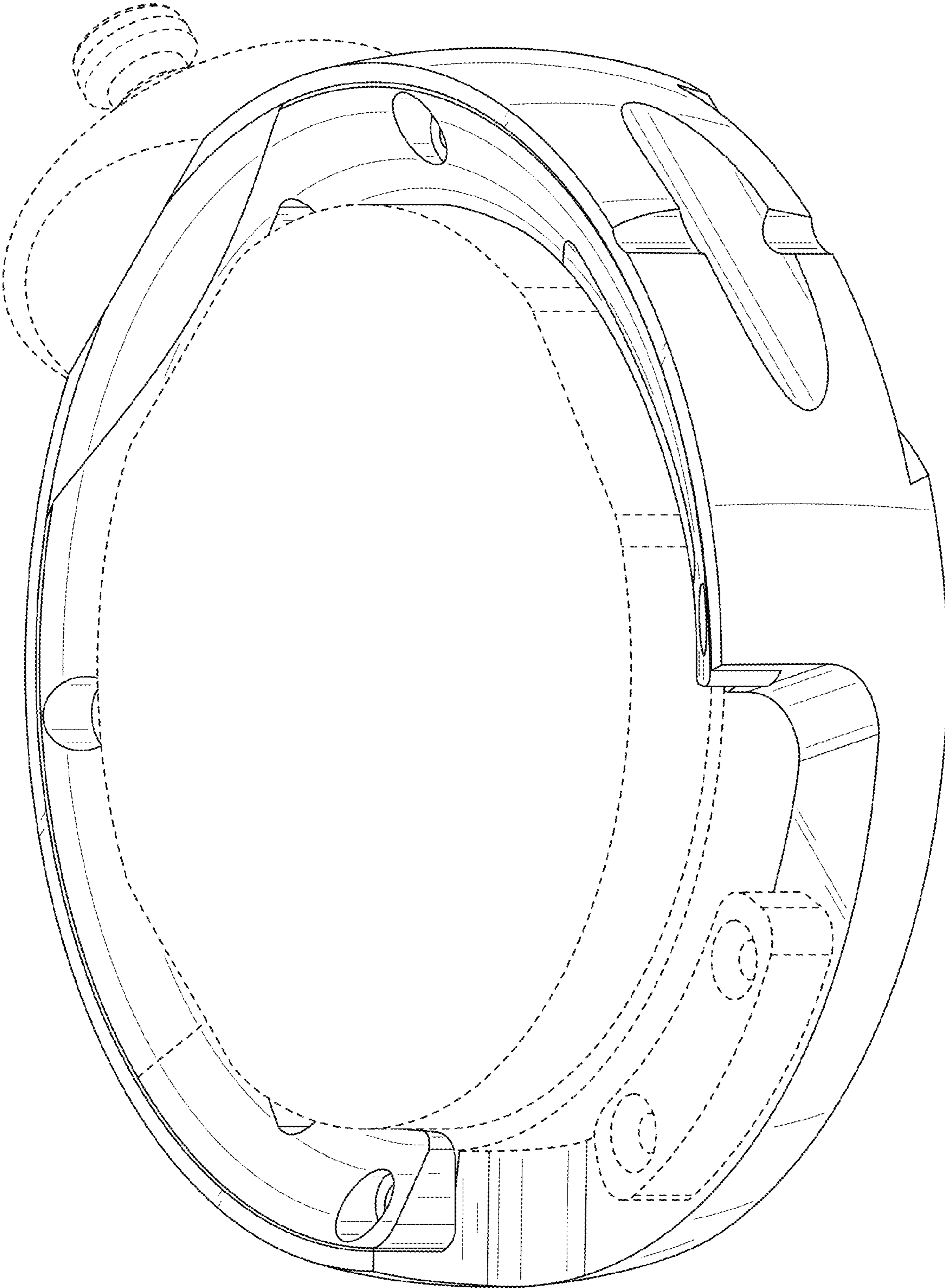


FIG. 1

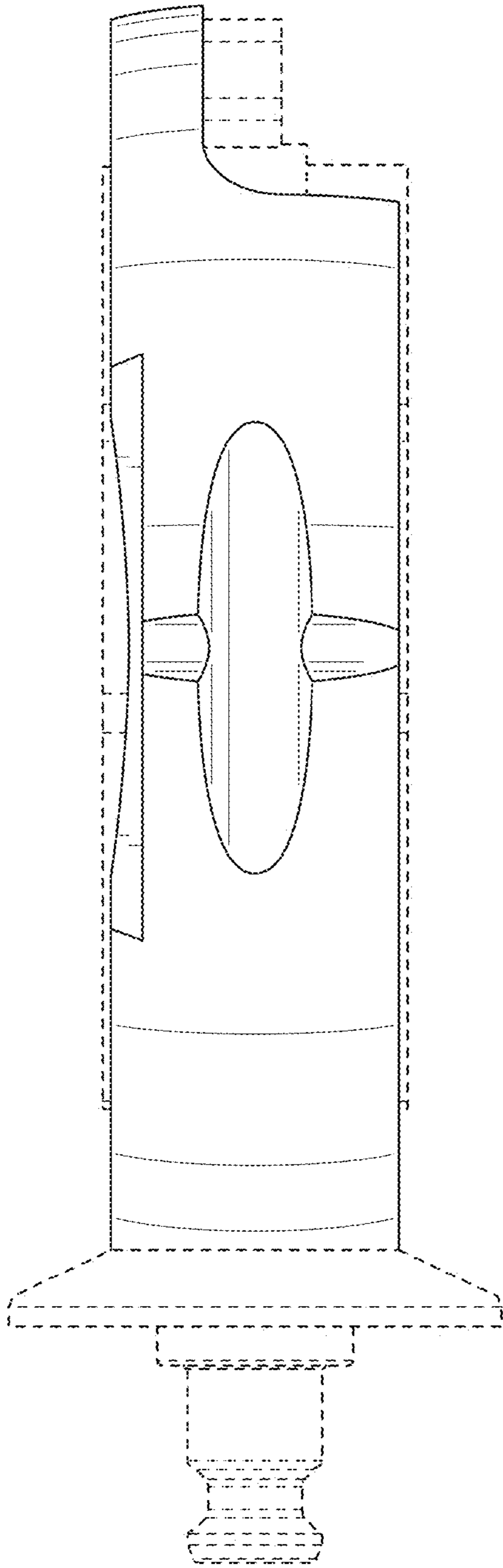


FIG. 2

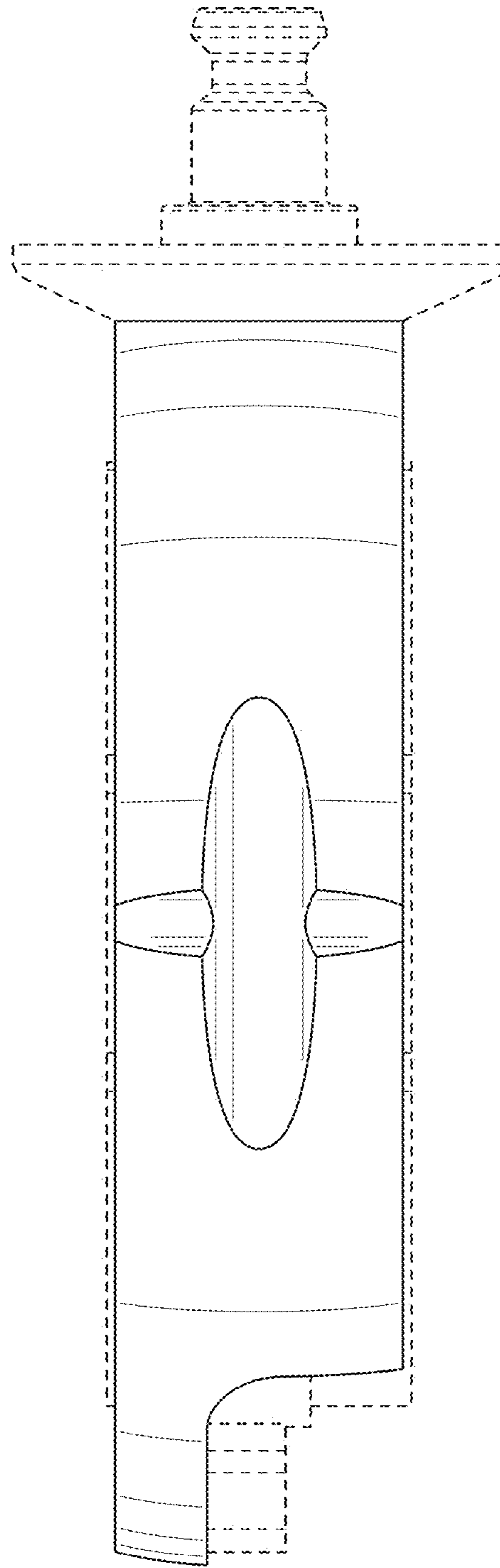


FIG. 3

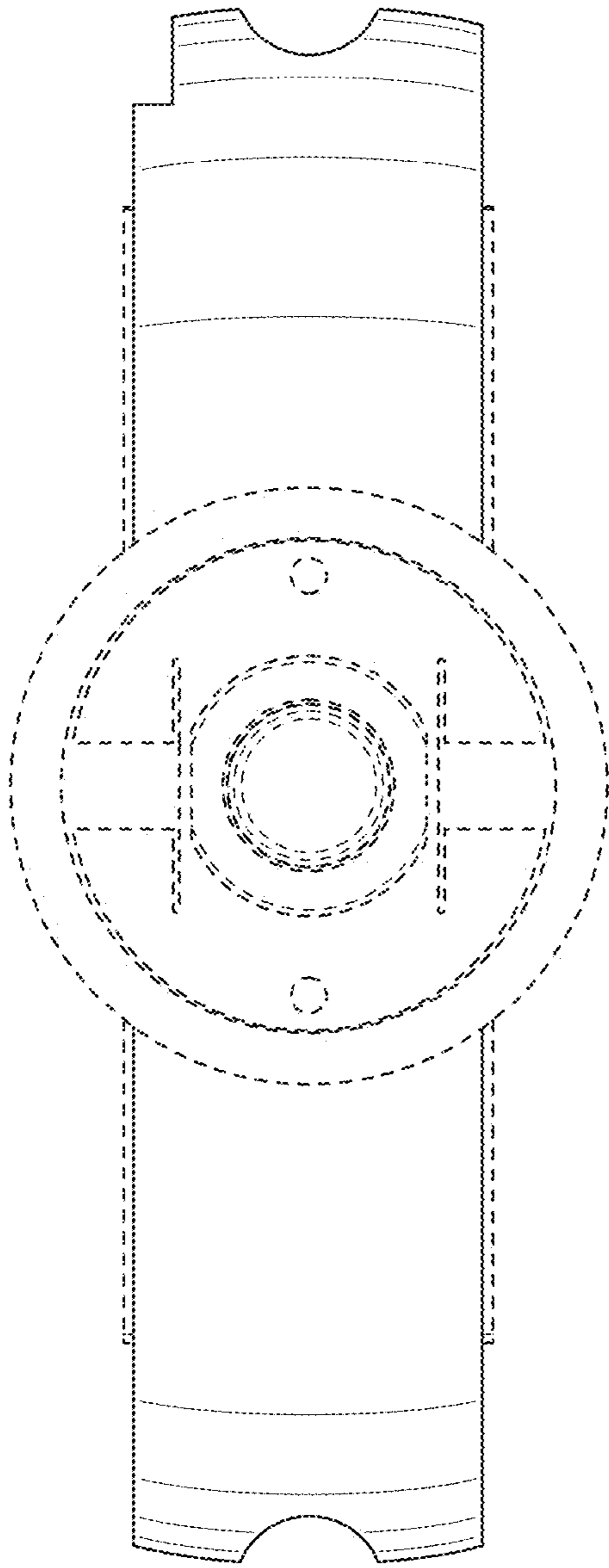


FIG. 4

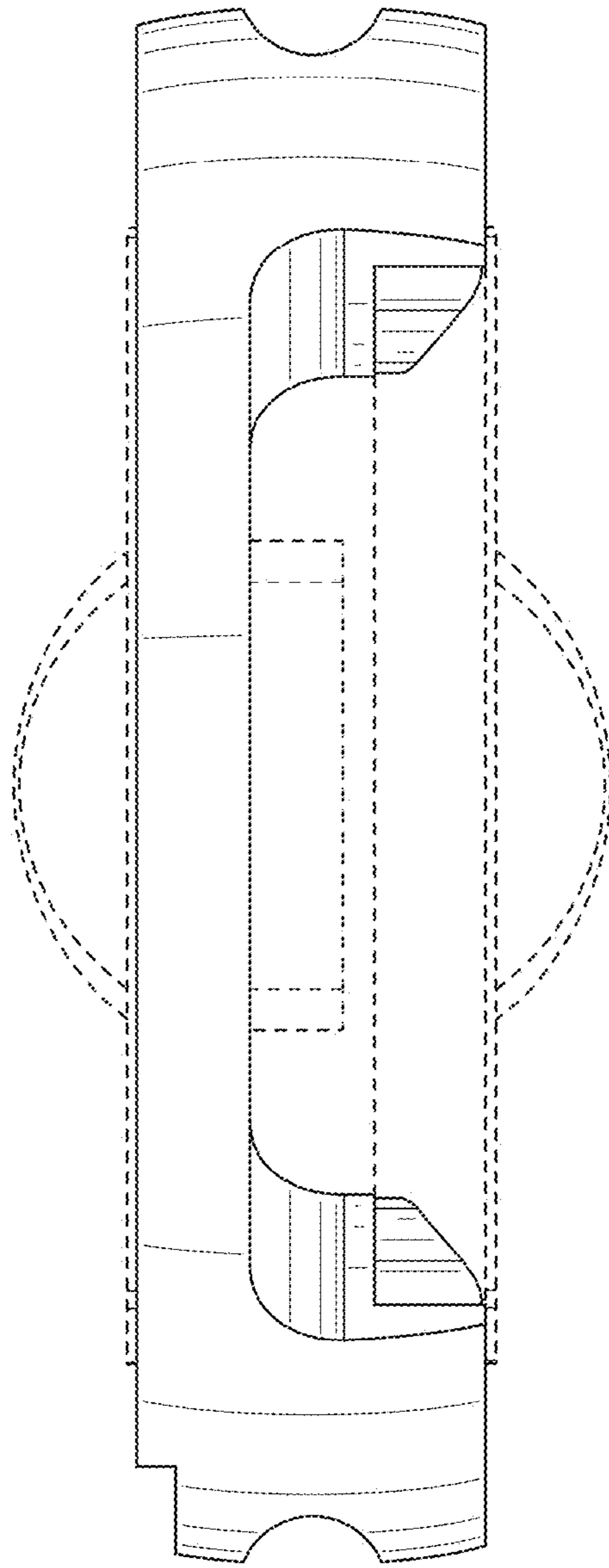


FIG. 5

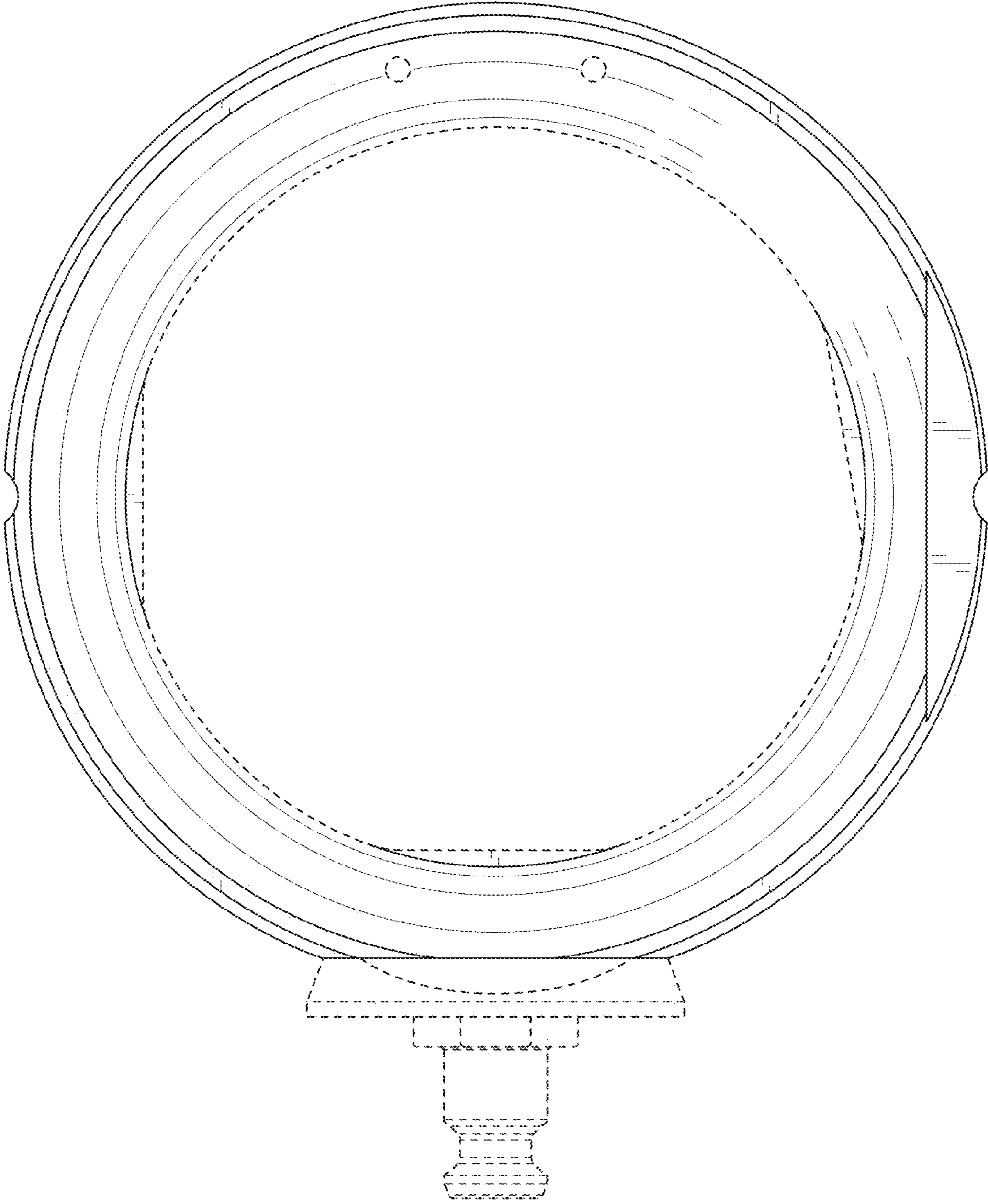


FIG. 6

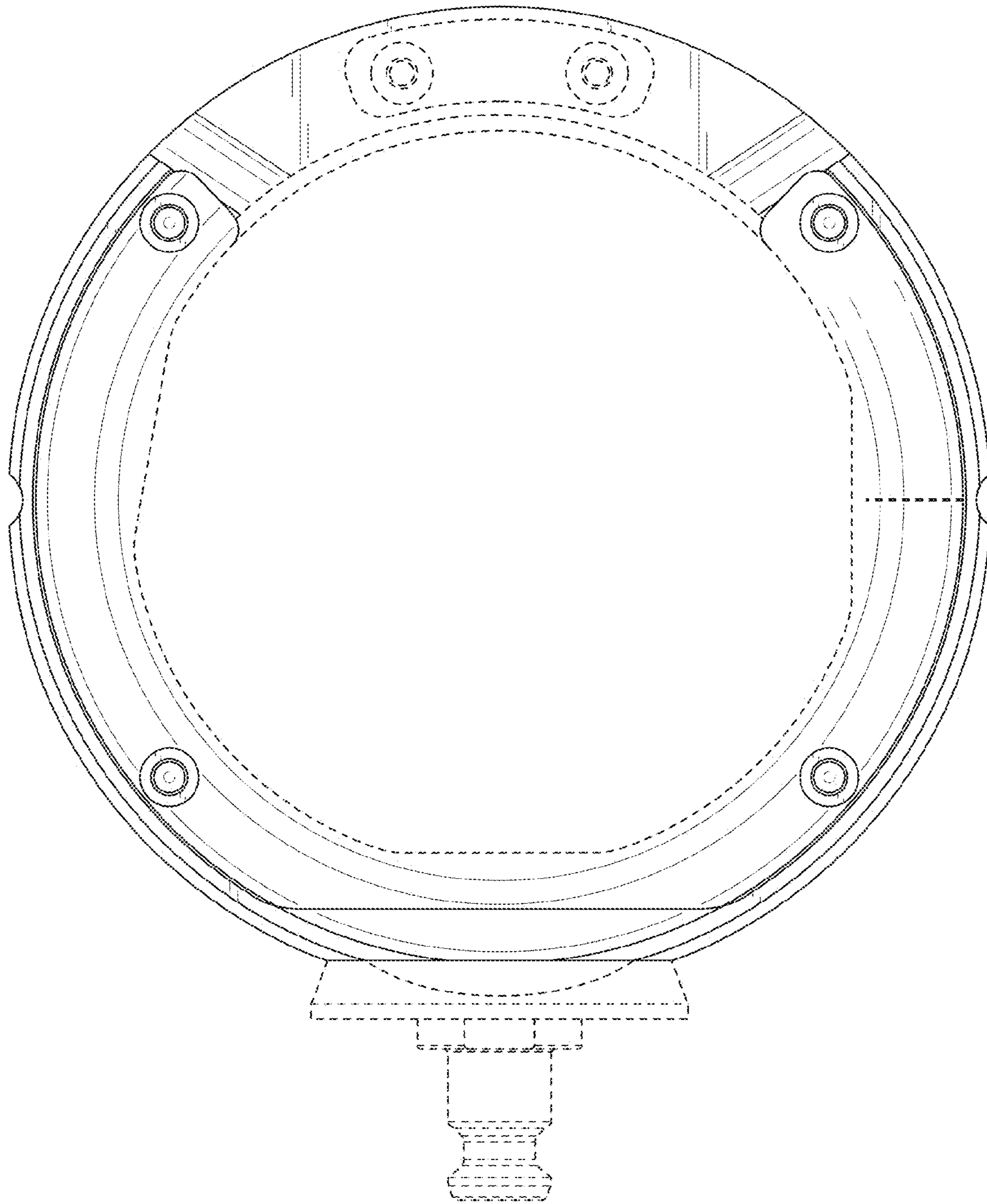


FIG. 7

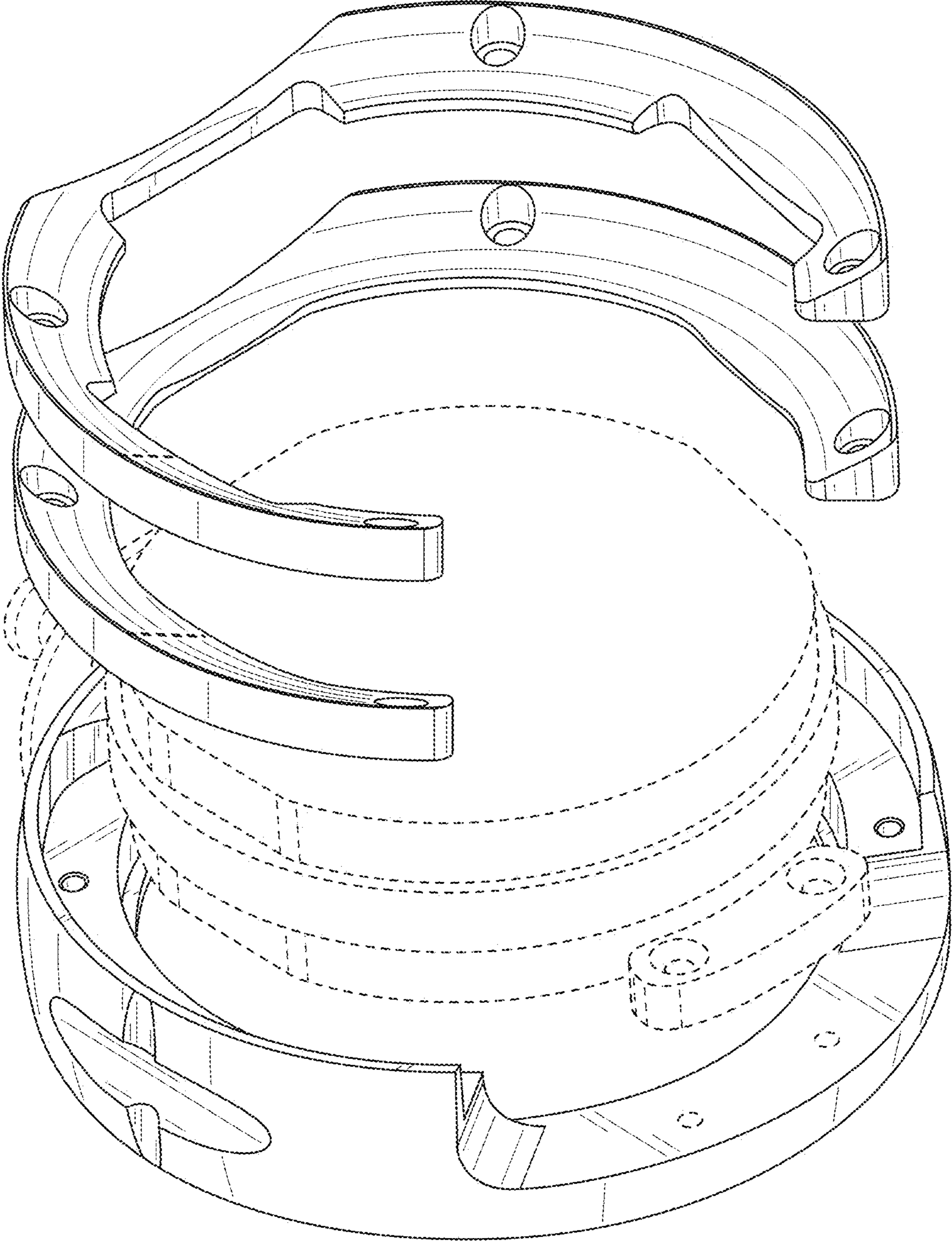


FIG. 8