



US00D892336S

(12) **United States Design Patent**
Zhang

(10) **Patent No.:** **US D892,336 S**

(45) **Date of Patent:** **** Aug. 4, 2020**

(54) **ECG LEAD CLIP**

(71) Applicant: **Medline Industries, Inc.**, Northfield, IL (US)

(72) Inventor: **Yaojie Zhang**, Beijing (CN)

(73) Assignee: **Medline Industries, Inc.**, Northfield, IL (US)

(**) Term: **15 Years**

(21) Appl. No.: **29/676,100**

(22) Filed: **Jan. 8, 2019**

(51) **LOC (12) Cl.** **24-01**

(52) **U.S. Cl.**
USPC **D24/167**

(58) **Field of Classification Search**
USPC D24/107, 164-167, 186, 187, 200;
D10/75; D13/120, 121, 147, 149, 153
CPC . A61B 5/0402; A61B 5/0404; A61B 5/04085;
A61B 5/0416; A61B 5/0432; A61B
5/044; A61B 5/6805; A61B 5/6823; A61B
2560/0412; A61B 2560/0462; A61N
1/046; A61N 1/0476; A61N 1/0492;
Y10S 439/909

See application file for complete search history.

(56) **References Cited**

U.S. PATENT DOCUMENTS

6,360,120 B1 * 3/2002 Powers A61N 1/3925
439/909
D491,147 S * 6/2004 Ji D13/147

D569,979 S * 5/2008 Eda D24/165
D724,739 S * 3/2015 London D24/167
D773,056 S * 11/2016 Vlach D24/186
D834,525 S * 11/2018 Lambrecht D13/147
D875,583 S * 2/2020 Bivans D24/186
2014/0170622 A1 * 6/2014 Pastrick G09B 23/288
434/265
2019/0247671 A1 * 8/2019 Piha A61N 1/3904

* cited by examiner

Primary Examiner — Anhdao Doan

(74) *Attorney, Agent, or Firm* — Robert D. Spendlove;
Gurr, Brande & Spendlove, PLLC

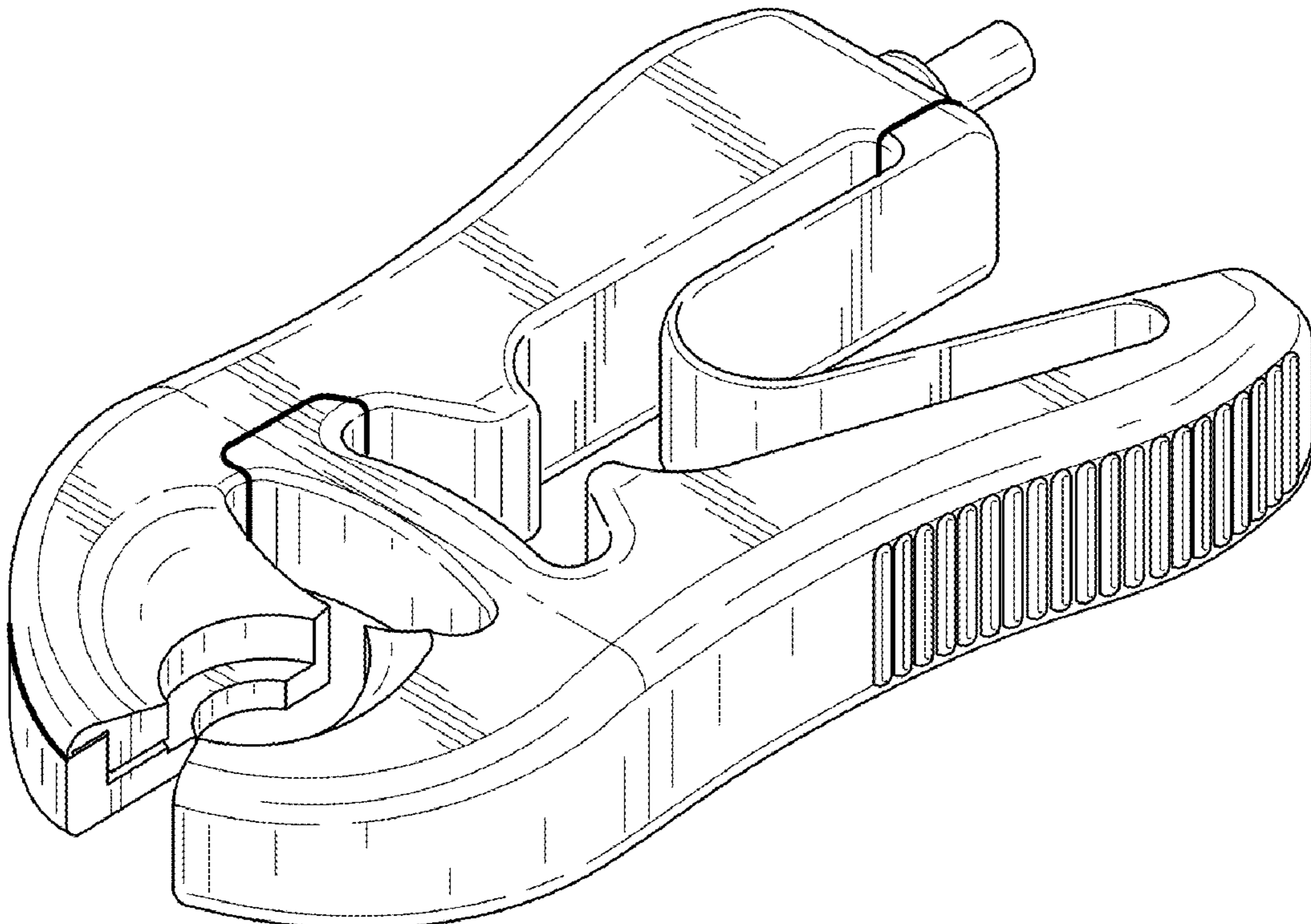
(57) **CLAIM**

The ornamental design for an ECG lead clip, as shown and described.

DESCRIPTION

FIG. 1 is a front, top and left side perspective view of an ECG lead clip;
FIG. 2 is a top plan view thereof;
FIG. 3 is a bottom plan view thereof;
FIG. 4 is a front elevation view thereof;
FIG. 5 is a rear elevation view thereof;
FIG. 6 is a left side elevation view thereof; and,
FIG. 7 is a right side elevation view thereof.
In FIG. 5, the broken lines show a portion of the ECG lead clip that forms no part of the claimed design; the broken lines form no part of the claimed design.

1 Claim, 3 Drawing Sheets



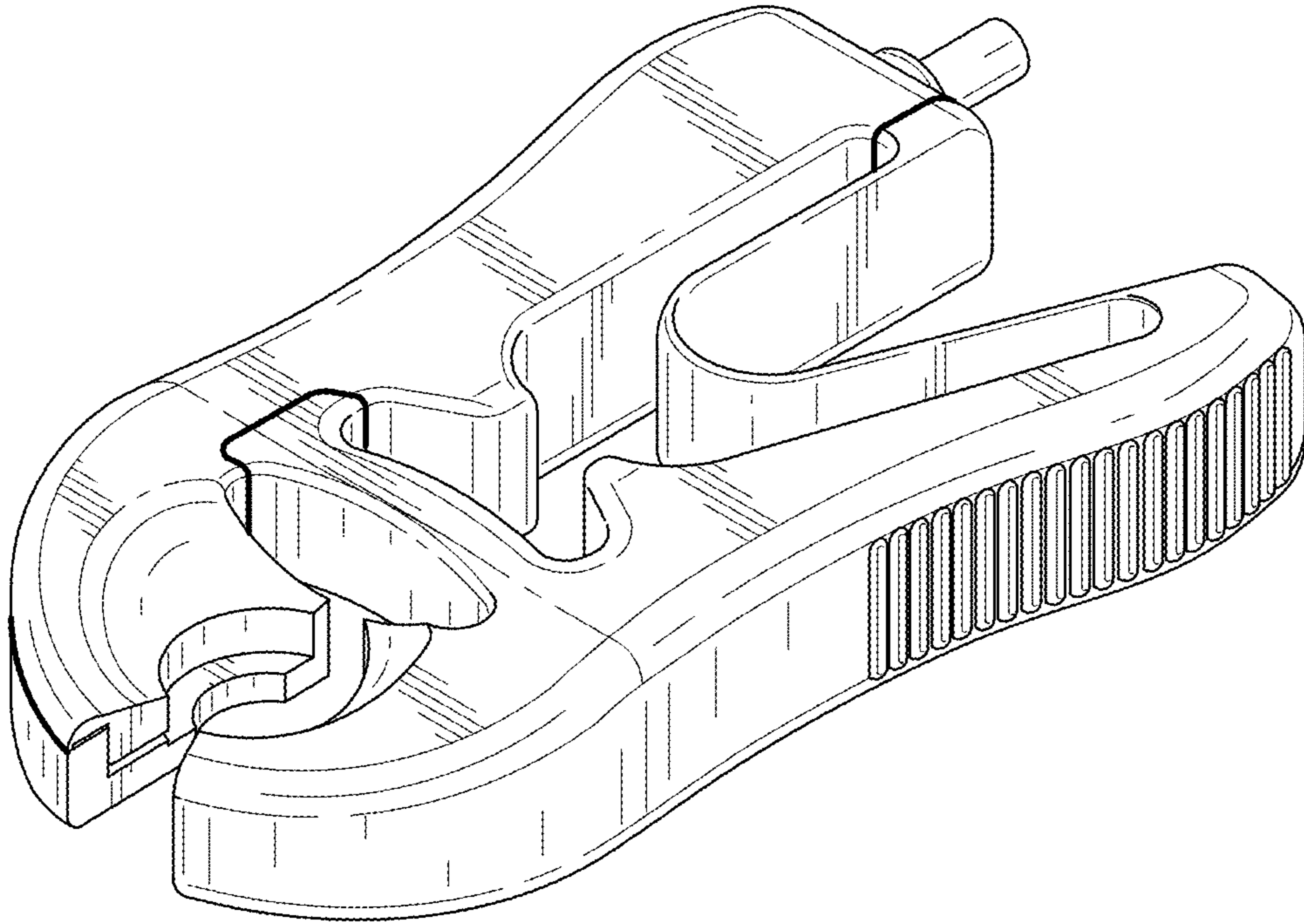


FIG. 1

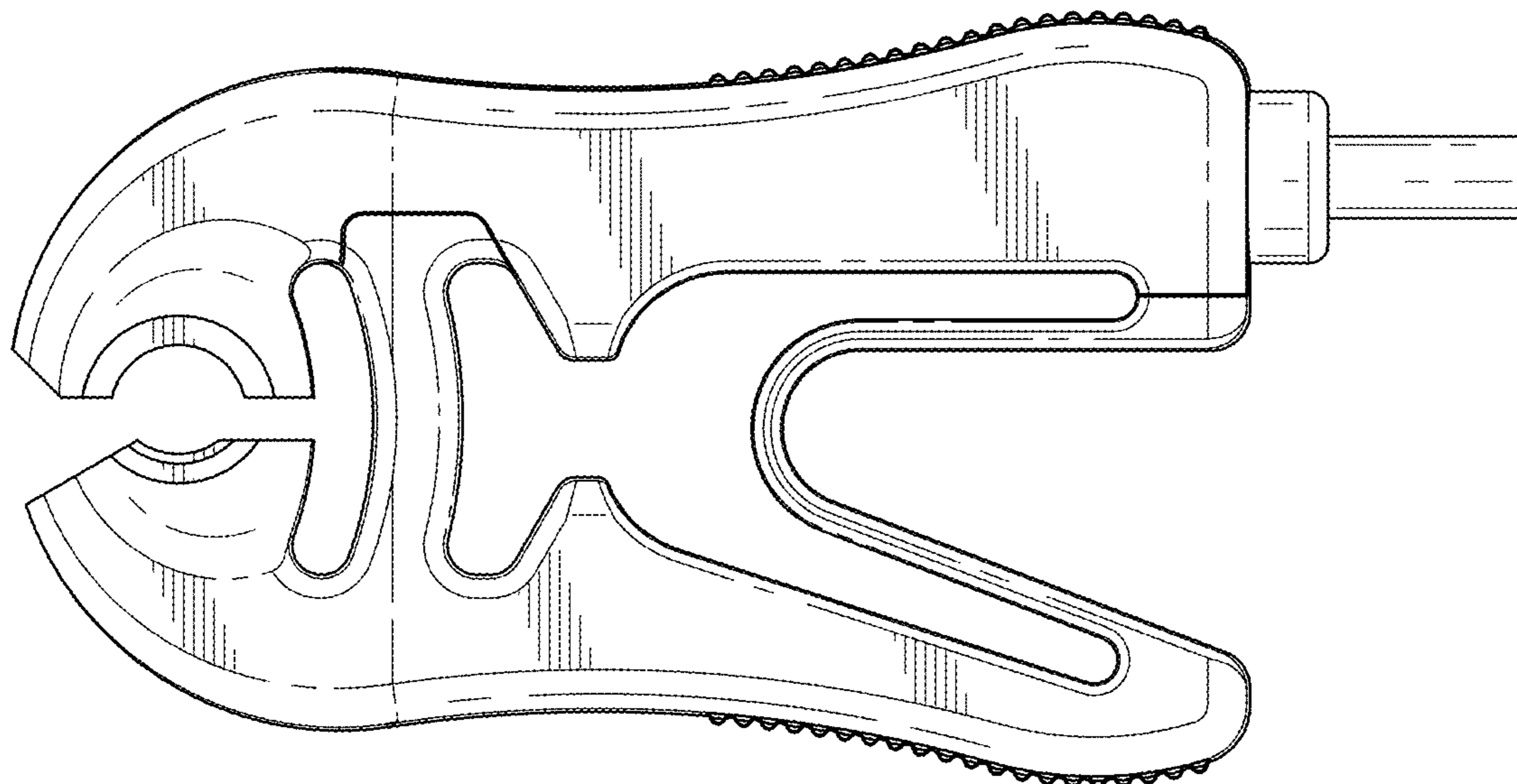


FIG. 2

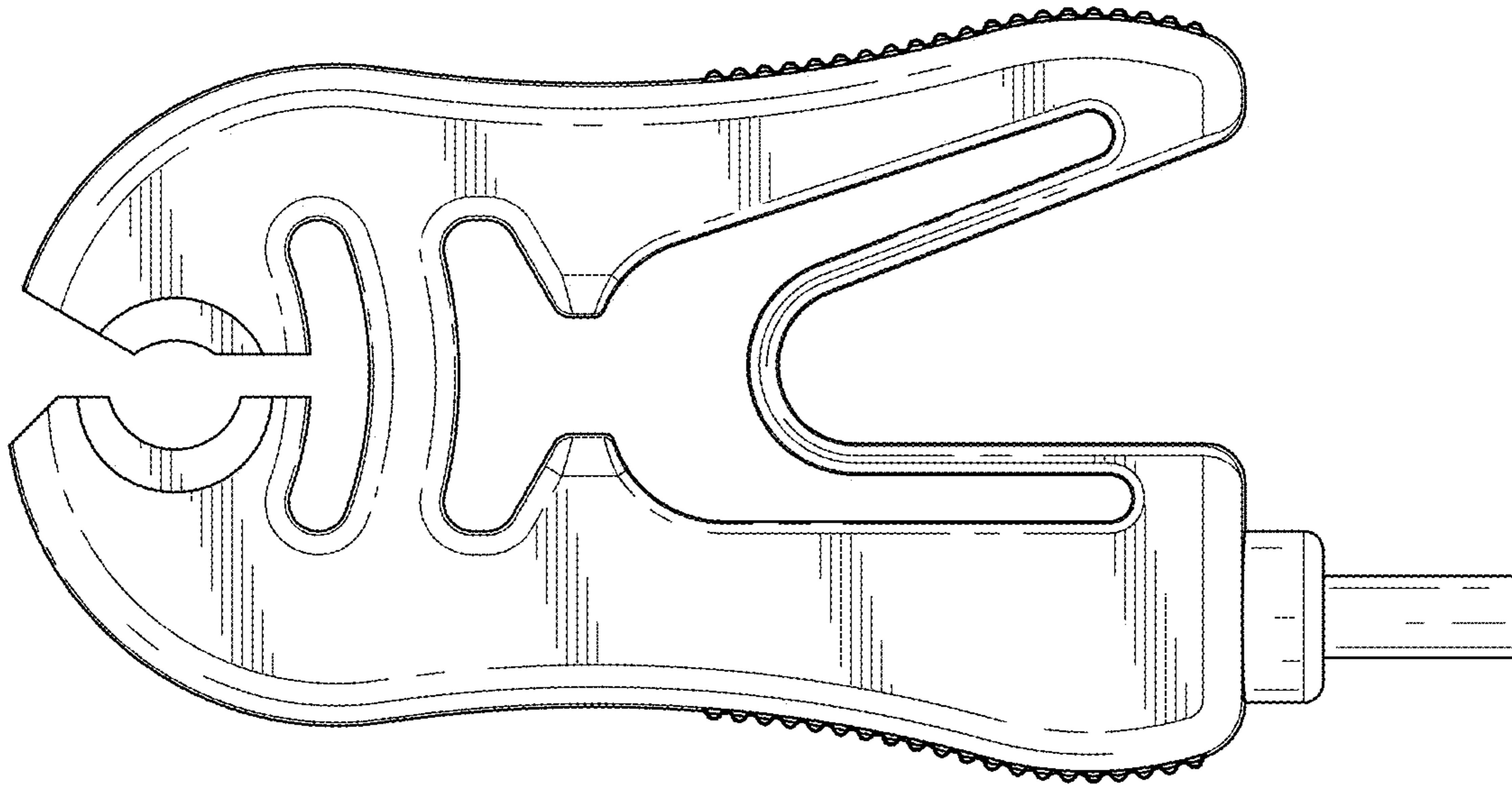


FIG. 3

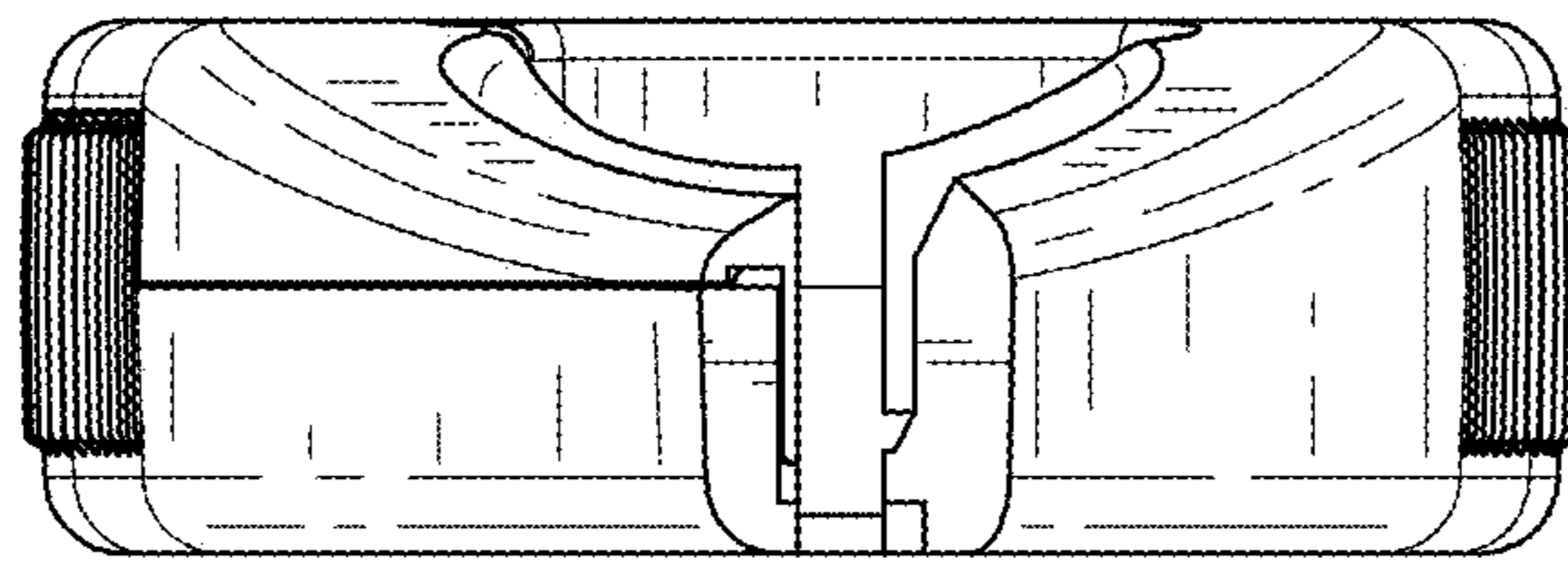


FIG. 4

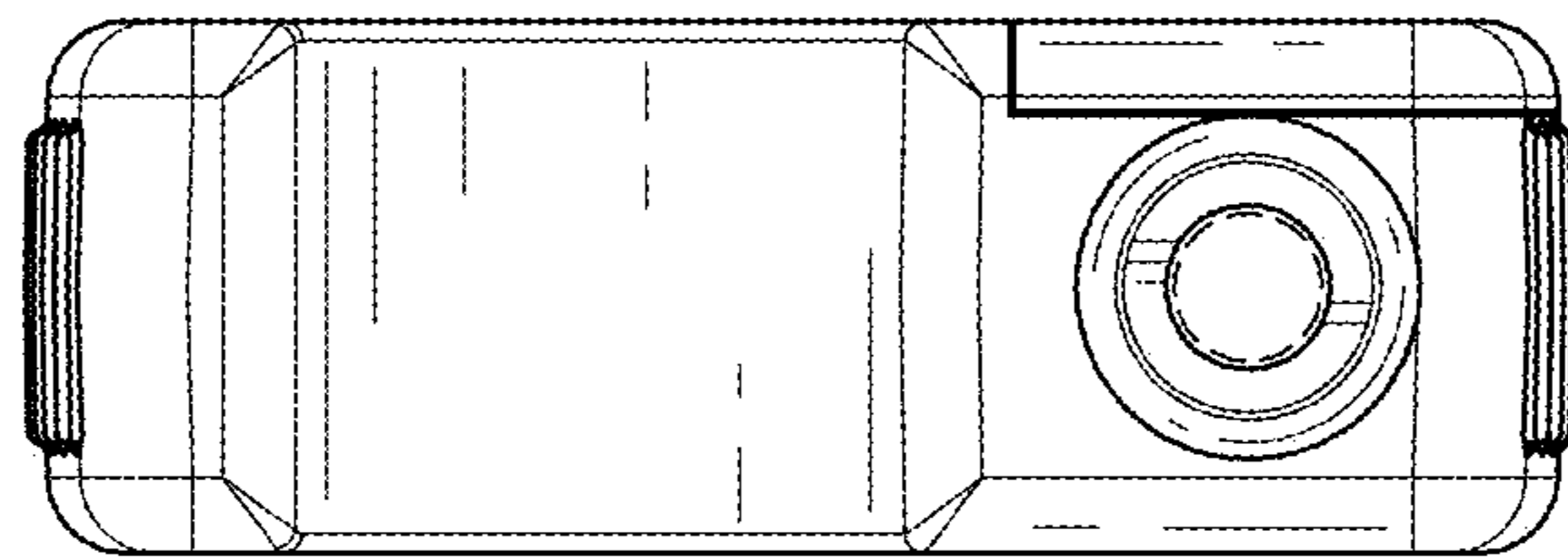


FIG. 5

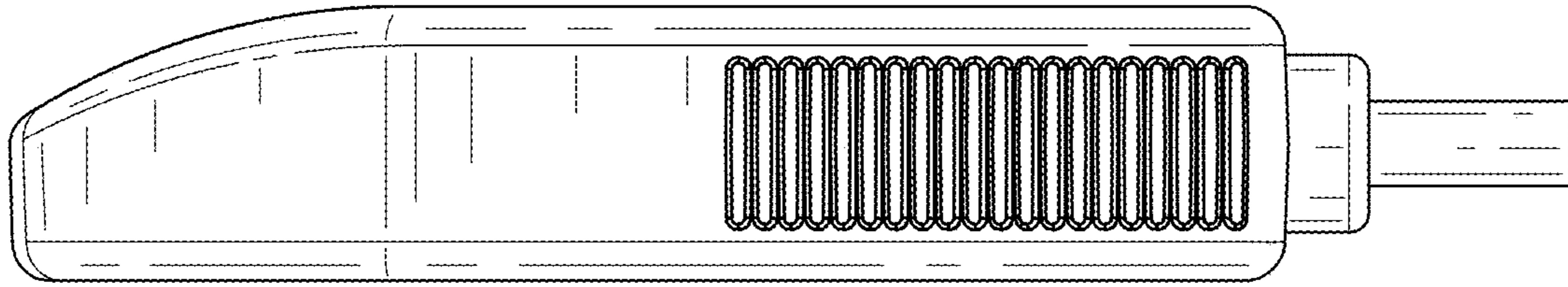


FIG. 6

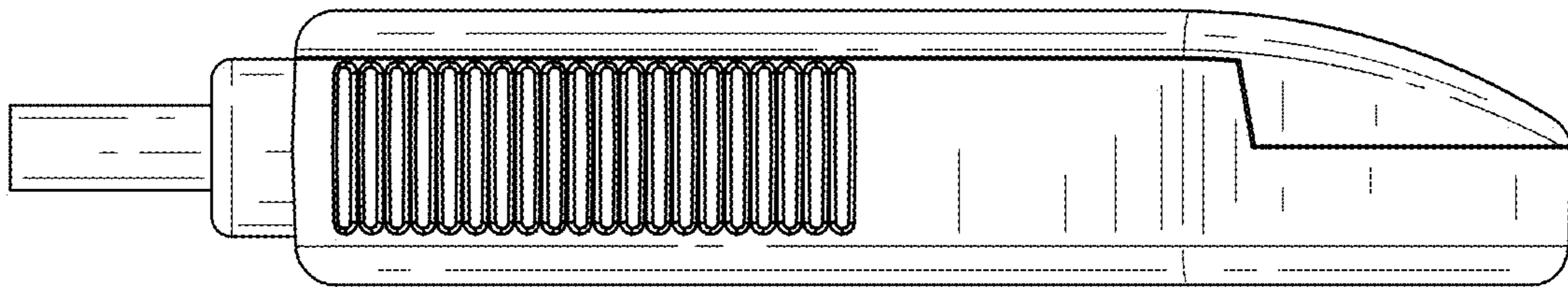


FIG. 7