



US00D892335S

(12) **United States Design Patent** (10) **Patent No.:** **US D892,335 S**
Wu et al. (45) **Date of Patent:** **** *Aug. 4, 2020**

(54) **ECG MEASUREMENT AND DATA COLLECTION CUSHION PAD**

(71) Applicant: **Shenzhen Novocare Medical Devices Co., Inc.**, Shenzhen (CN)

(72) Inventors: **Zhengyu Wu**, Shenzhen (CN); **Xuefang Yang**, Shenzhen (CN)

(73) Assignee: **Shenzhen Novocare Medical Devices Co., Inc.**, Shenzhen (CN)

(*) Notice: This patent is subject to a terminal disclaimer.

(**) Term: **15 Years**

(21) Appl. No.: **29/622,338**

(22) Filed: **Oct. 17, 2017**

(51) **LOC (12) Cl.** **24-01**

(52) **U.S. Cl.**
USPC **D24/167; D24/183**

(58) **Field of Classification Search**
USPC D24/165–168, 186, 187, 183, 184; D10/75, 70, 98; D6/596, 597, 601, 604, D6/605; D21/803, 809
CPC A47G 9/00; A47G 9/10; A47G 9/1027; A47G 9/1081; A47G 2009/1018; A47C 7/021; A47C 9/00; A47C 21/06; A47C 27/00; A47C 27/003; A61B 5/0245; A61B 5/0408; A61B 5/4806; A61B 5/6804; A61B 5/6892
See application file for complete search history.

(56) **References Cited**

U.S. PATENT DOCUMENTS

4,745,645 A * 5/1988 McWilliams A47C 21/06 5/659
D411,011 S * 6/1999 Schuster D24/165

D584,911 S * 1/2009 Hisey D21/803
D725,408 S * 3/2015 Chang D6/605
D747,117 S * 1/2016 Lau D6/393
D749,875 S * 2/2016 Sullivan D6/604
D799,857 S * 10/2017 Takagi D6/596
D811,125 S * 2/2018 Thornam D6/596
2006/0041196 A1 * 2/2006 Matthews A61B 5/04085 600/393
2016/0151020 A1 * 6/2016 Wu A61B 5/6892 600/509
2017/0290548 A1 * 10/2017 Tarsaud A47C 27/081

* cited by examiner

Primary Examiner — Anhdao Doan

(74) Attorney, Agent, or Firm — Treasure IP Group, LLC

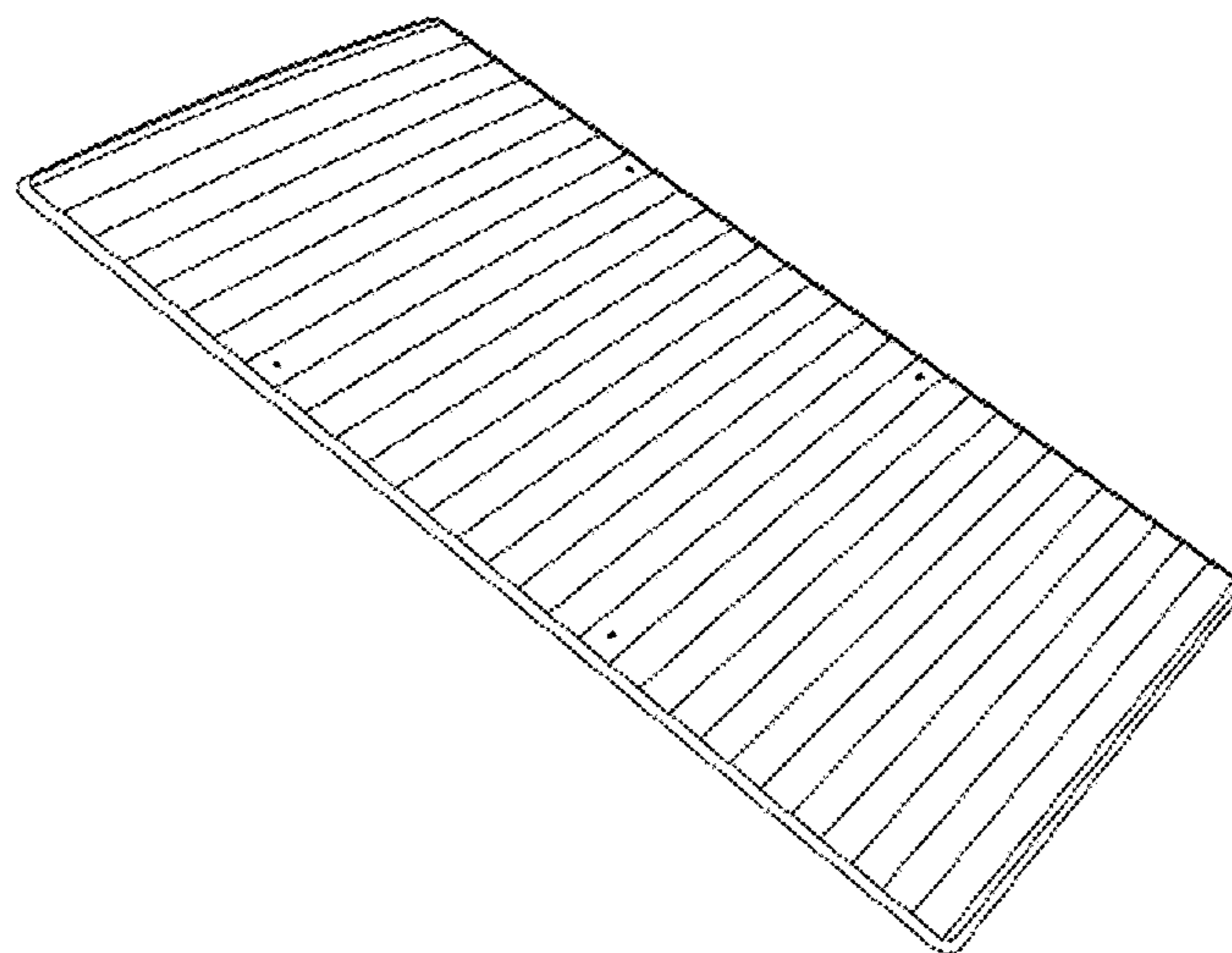
(57) **CLAIM**

The ornamental design for an ECG measurement and data collection cushion pad, as shown and described.

DESCRIPTION

FIG. 1 is a perspective view of an ECG measurement and data collection cushion pad showing my new design; FIG. 2 is a front view thereof; FIG. 3 is a rear view thereof; FIG. 4 is a left side view thereof; FIG. 5 is a right side view thereof; FIG. 6 is a top view thereof; FIG. 7 is a bottom view thereof; FIG. 8 is a perspective view thereof shown in a rolled up condition; FIG. 9 is a perspective view thereof shown in a folded condition; and, FIG. 10 is a perspective view thereof shown in a condition of use. The dotted lines represent an environment and form no part of the invention.

1 Claim, 7 Drawing Sheets



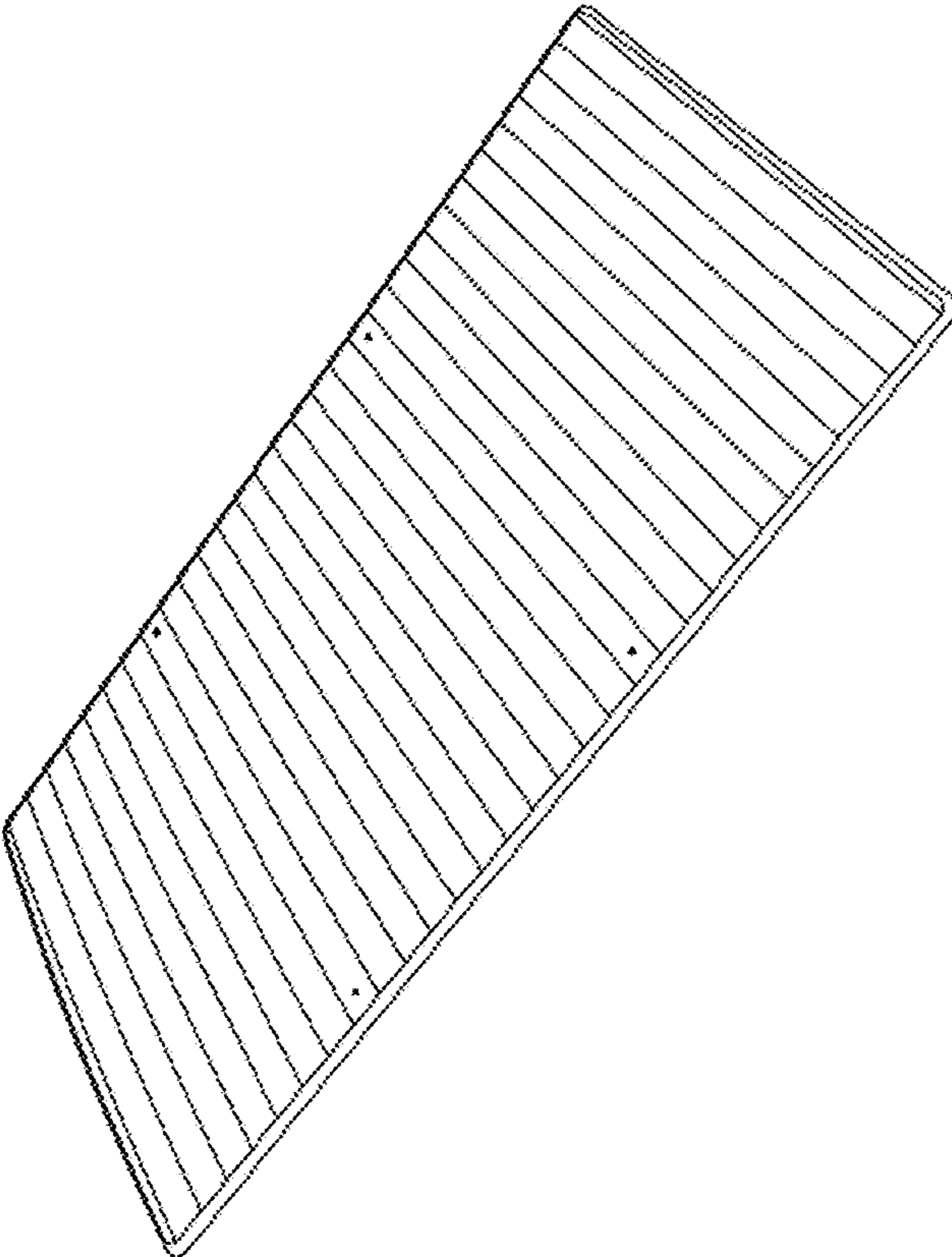


FIG. 1



FIG. 3



FIG. 2



FIG. 4

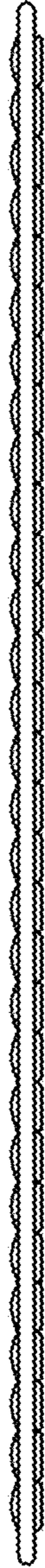


FIG. 5

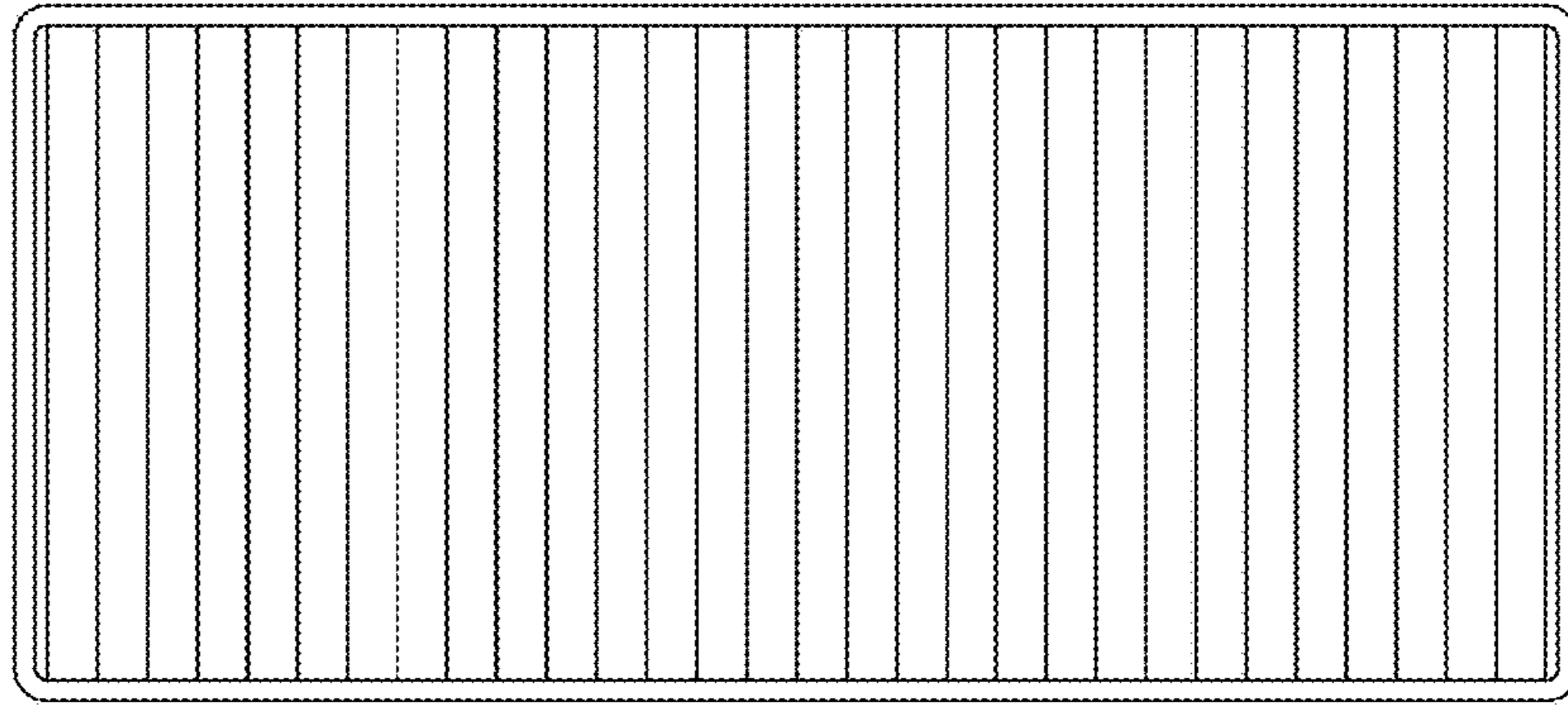


Fig. 7

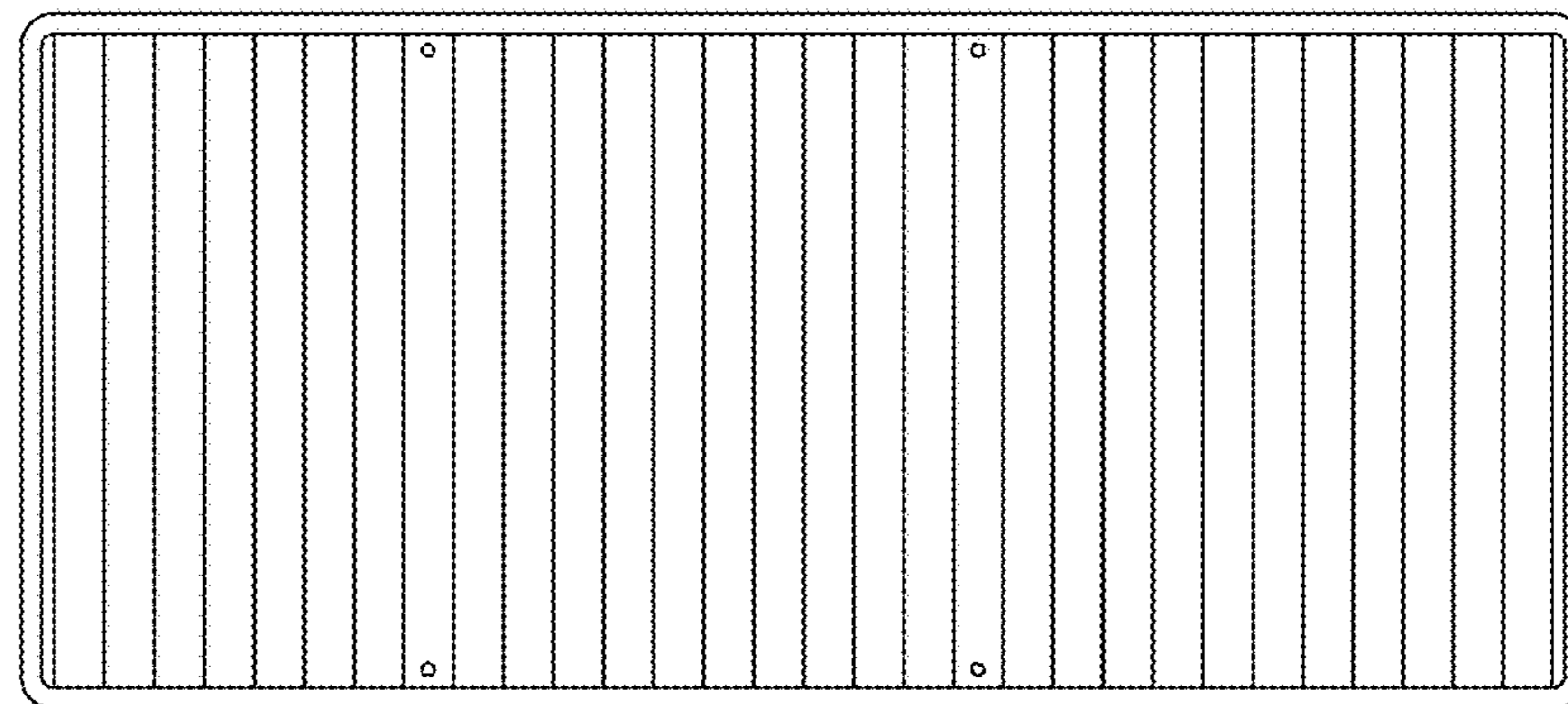


Fig. 6

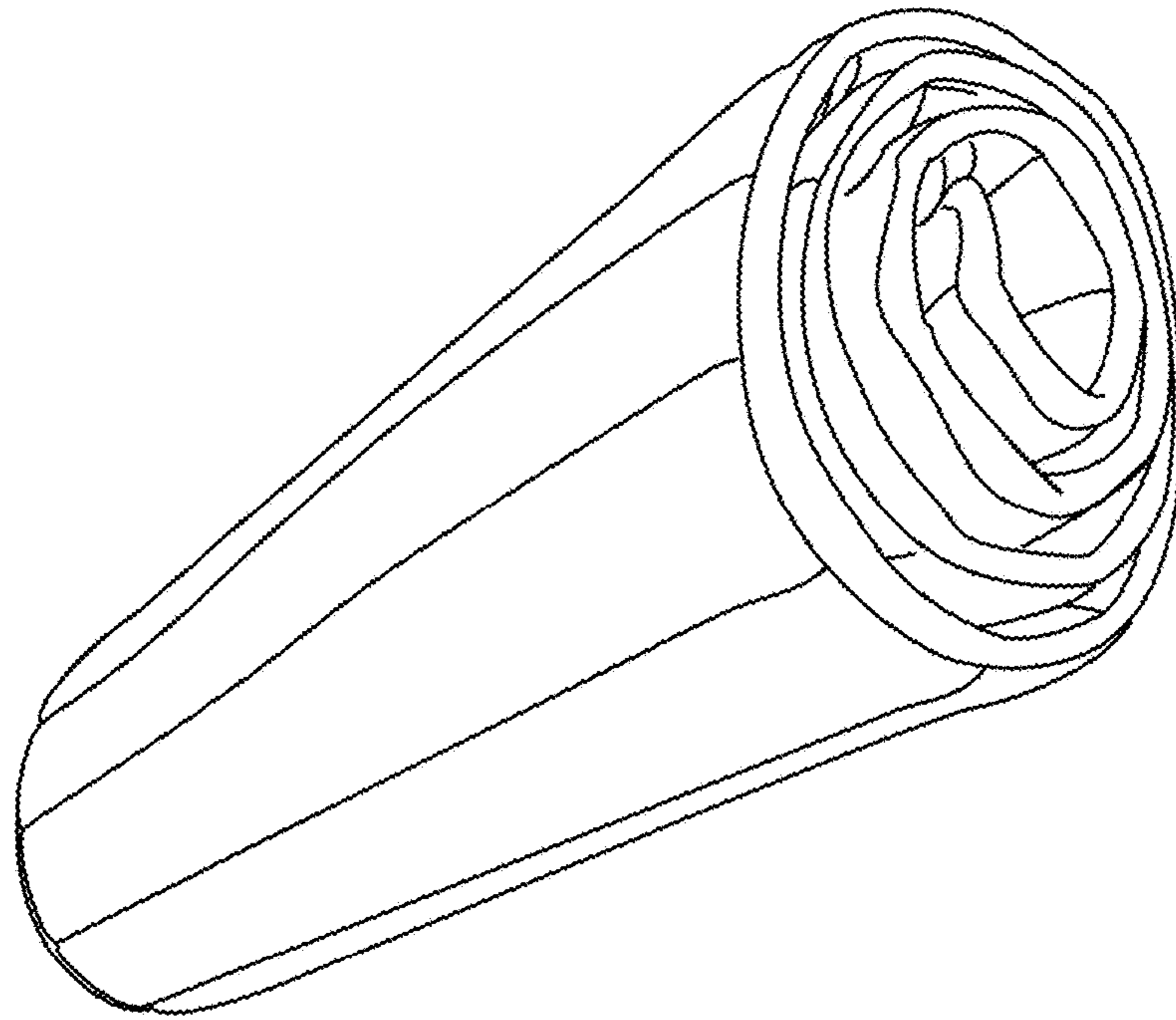


Fig. 8

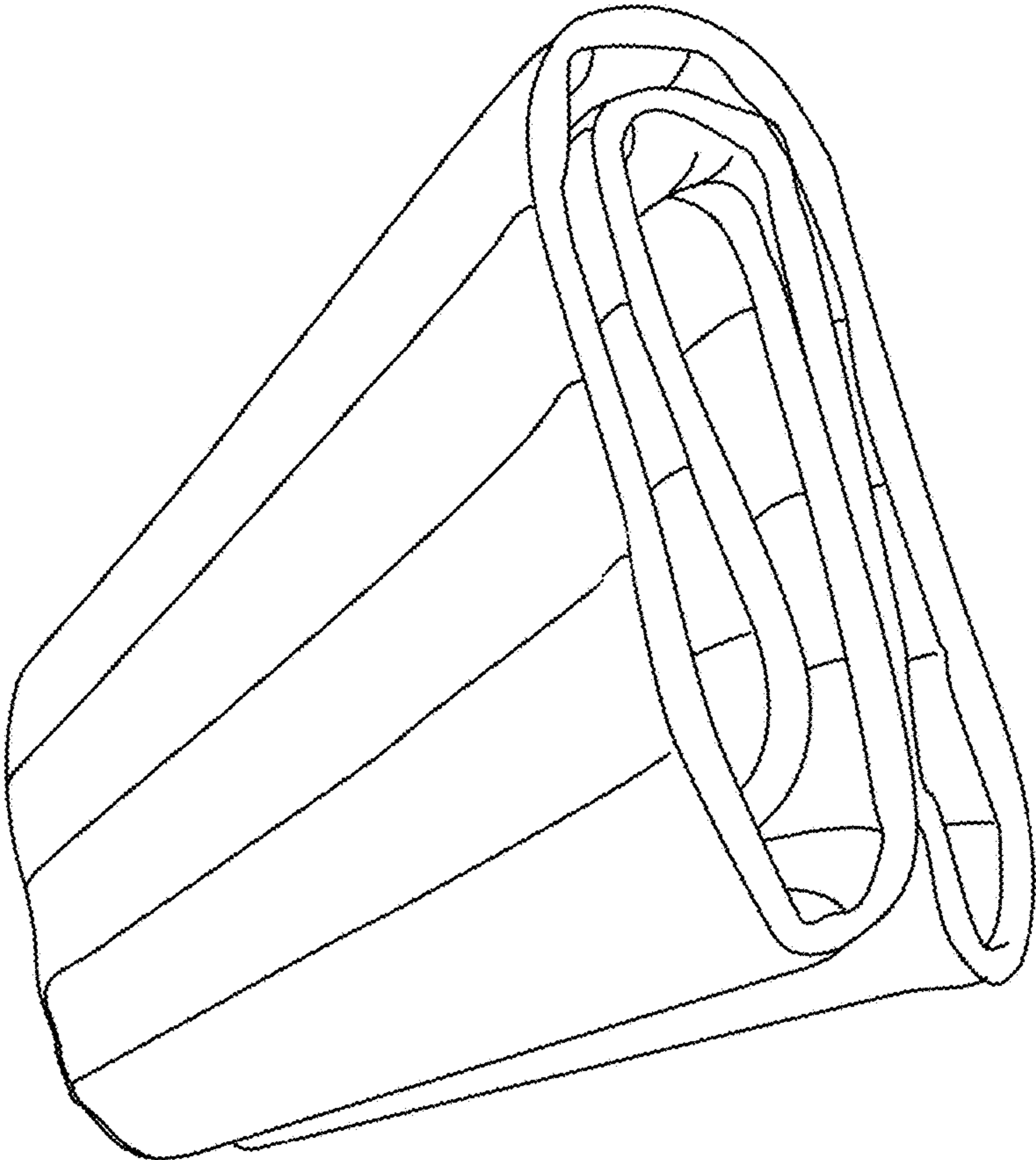


Fig. 9

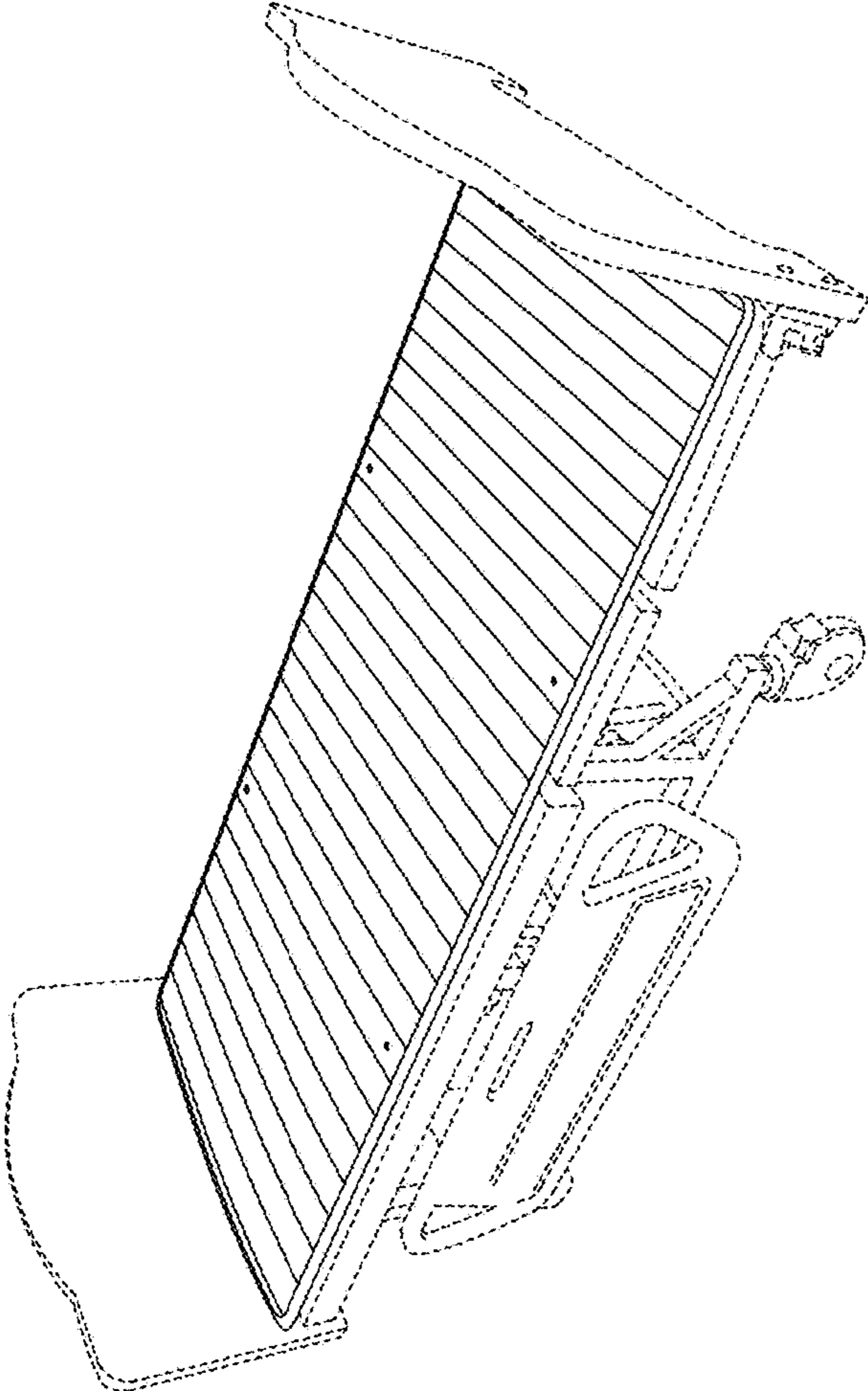


Fig. 10