



US00D892334S

(12) **United States Design Patent** (10) **Patent No.:** **US D892,334 S**
Ye et al. (45) **Date of Patent:** **** Aug. 4, 2020**

(54) **MAMMOGRAPHY MACHINE**

(71) Applicant: **SHENZHEN XPECTVISION TECHNOLOGY CO., LTD.**, Shenzhen (CN)

(72) Inventors: **Zhuoting Ye**, Shenzhen (CN); **Huan Yu**, Shenzhen (CN)

(73) Assignee: **SHENZHEN XPECTVISION TECHNOLOGY CO., LTD.**, Shenzhen (CN)

(**) Term: **15 Years**

(21) Appl. No.: **29/674,009**

(22) Filed: **Dec. 19, 2018**

(51) **LOC (12) Cl.** **24-01**

(52) **U.S. Cl.**
USPC **D24/158**

(58) **Field of Classification Search**
USPC D24/107, 158–161, 185, 186
(Continued)

(56) **References Cited**

U.S. PATENT DOCUMENTS

D563,553 S * 3/2008 Saito D24/158
D659,833 S * 5/2012 Ogura D24/158
(Continued)

Primary Examiner — Anhdao Doan

(74) *Attorney, Agent, or Firm* — IPro, PLLC

(57) **CLAIM**

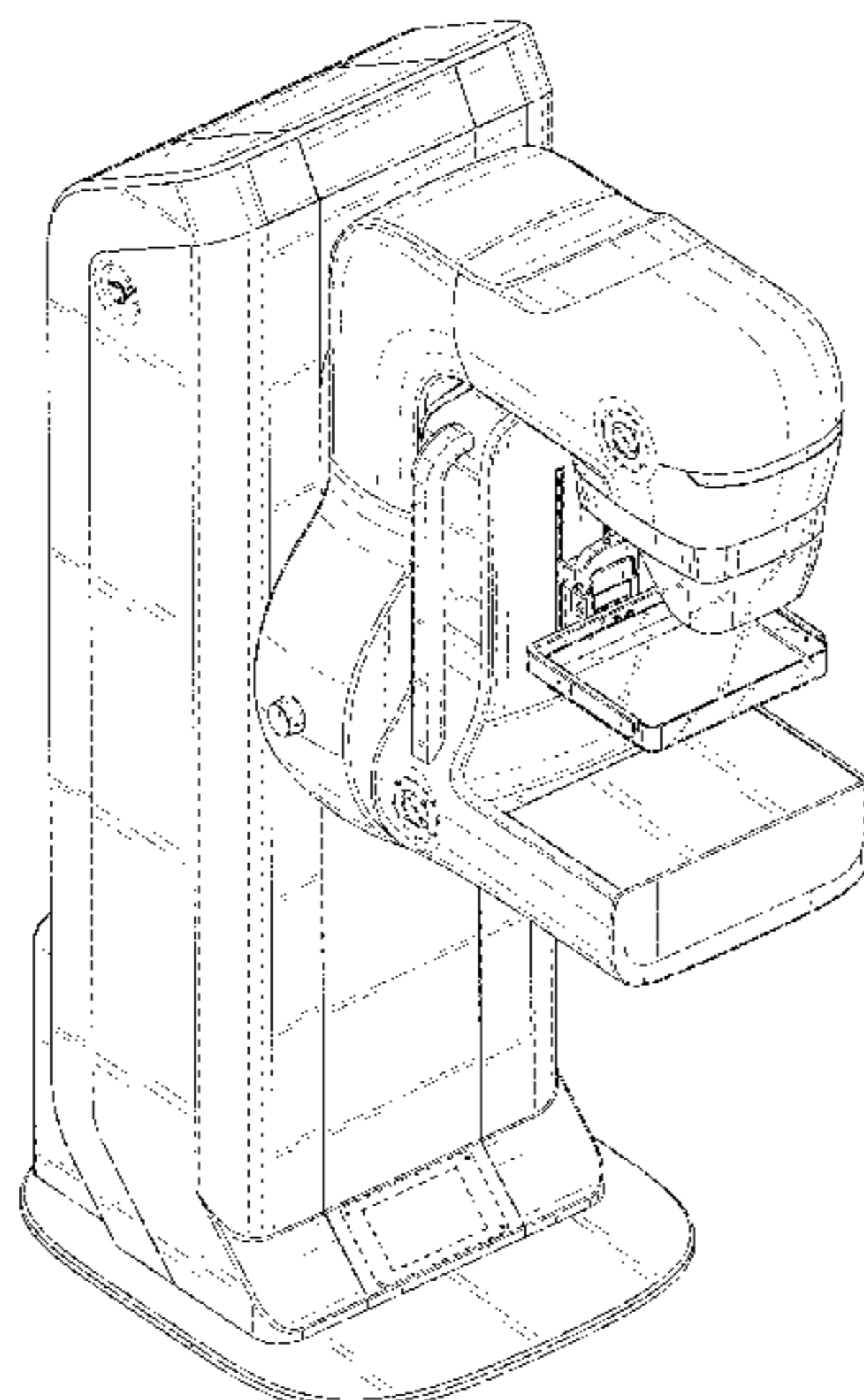
The ornamental design for a mammography machine, as shown and described.

DESCRIPTION

FIG. 1 is a front view of a mammography machine embodying the new design;
FIG. 2 is a back view thereof;

FIG. 3 is a side view thereof;
FIG. 4 is another side view thereof;
FIG. 5 is a top view thereof;
FIG. 6 is a bottom view thereof;
FIG. 7 is a perspective view thereof;
FIG. 8 is another perspective view thereof;
FIG. 9 is another perspective view thereof;
FIG. 10 is another perspective view thereof;
FIG. 11 is another perspective view thereof;
FIG. 12 is another perspective view thereof;
FIG. 13 is another perspective view thereof;
FIG. 14 is another perspective view thereof;
FIG. 15 is another perspective view thereof;
FIG. 16 is another perspective thereof showing a radiation source of the mammography machine moved to an alternative position;
FIG. 17 is another perspective thereof showing the radiation source moved to an alternative position;
FIG. 18 is another perspective thereof showing the radiation source and an image sensor of the mammography machine moved to an alternative position;
FIG. 19 is another perspective thereof showing the radiation source and an image sensor of the mammography machine moved to an alternative position;
FIG. 20 is another perspective thereof showing the radiation source and an image sensor of the mammography machine moved to an alternative position;
FIG. 21 is another perspective thereof showing the radiation source and an image sensor of the mammography machine moved to an alternative position;
FIG. 22 is another perspective thereof showing the radiation source and an image sensor of the mammography machine moved to an alternative position;
FIG. 23 is an enlarged perspective view of a portion of the mammography machine;
FIG. 24 is an enlarged perspective view of a portion of the mammography machine;
FIG. 25 is an enlarged perspective view of a portion of the mammography machine;
FIG. 26 is an enlarged perspective view of a portion of the mammography machine; and,
FIG. 27 is an enlarged perspective view of a portion of the mammography machine.

(Continued)



The broken lines illustrate portions of the mammography machine that form no part of the claimed design.

1 Claim, 27 Drawing Sheets

(58) Field of Classification Search

CPC ... A61B 6/0435; A61B 6/0457; A61B 6/0442;
A61B 6/502; A61B 5/0555; A61B
8/0825; A61B 8/406

See application file for complete search history.

(56) References Cited

U.S. PATENT DOCUMENTS

D728,794 S *	5/2015	Kim	D24/158
D767,140 S *	9/2016	Yao	D24/158
D788,310 S *	5/2017	Takeuchi	D24/158
D814,636 S *	4/2018	Boudier	D24/158
D865,967 S *	11/2019	Ten Cate	D24/158
2014/0226786 A1 *	8/2014	Goossen	A61B 6/0414 378/37

* cited by examiner

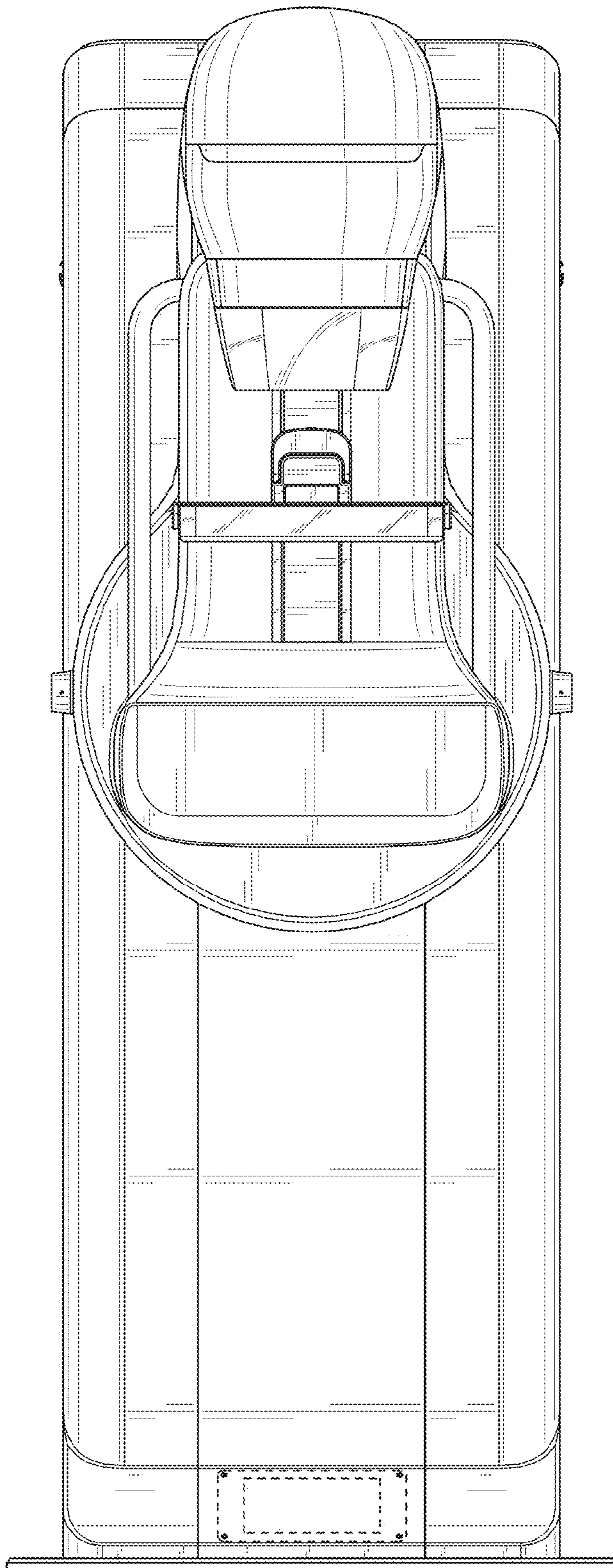


FIG. 1

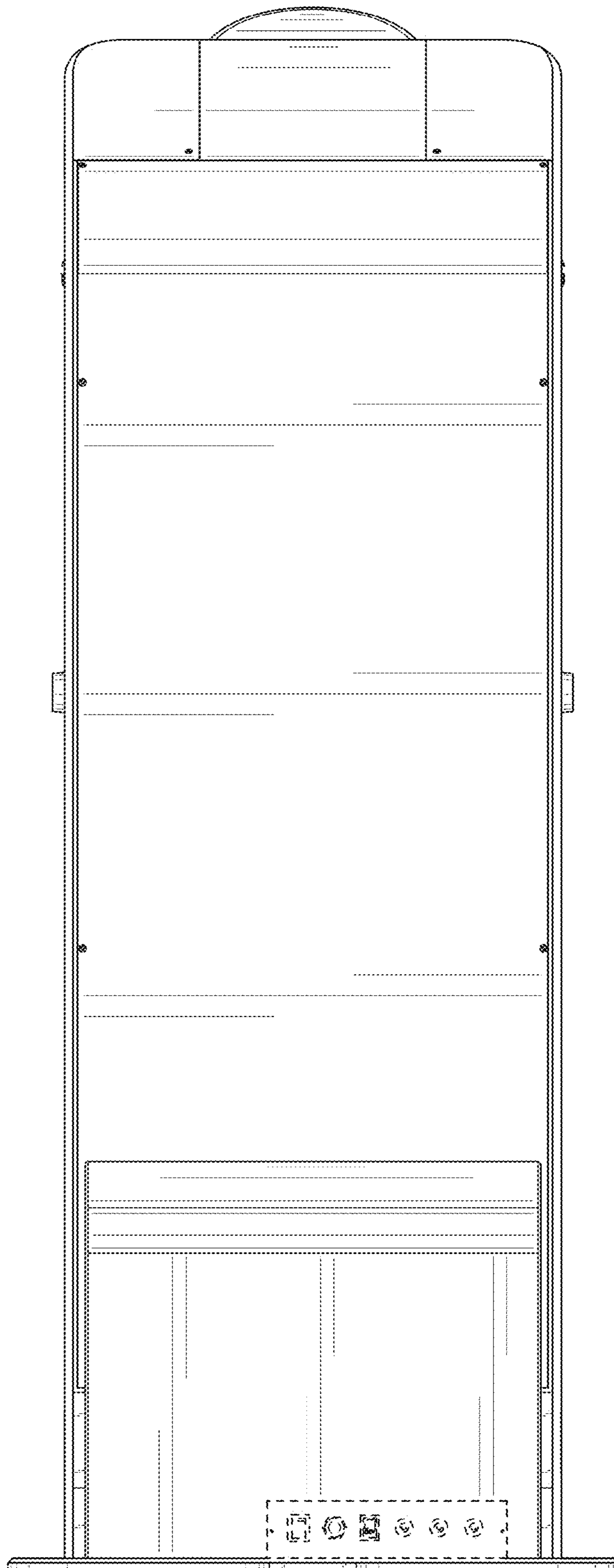
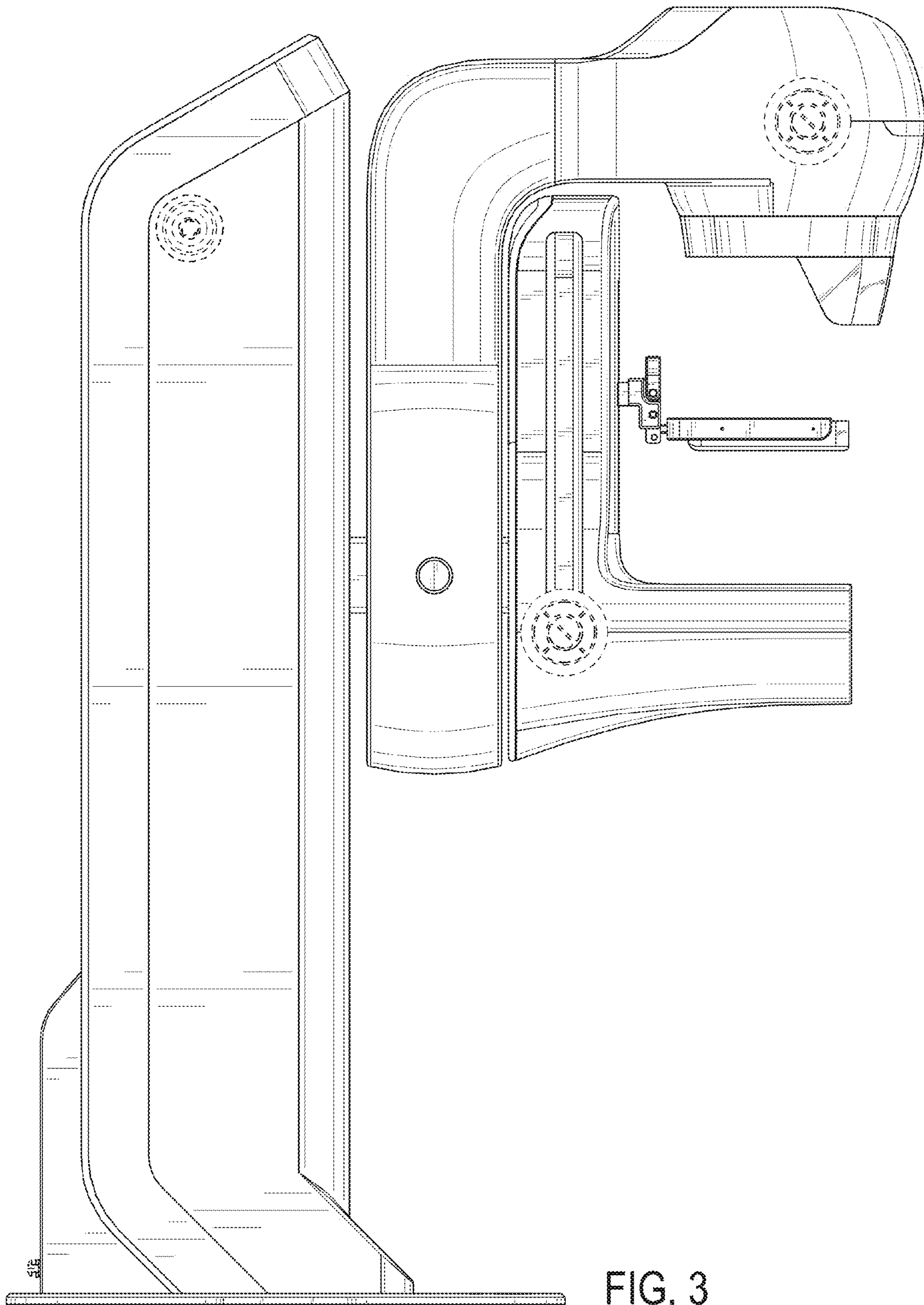
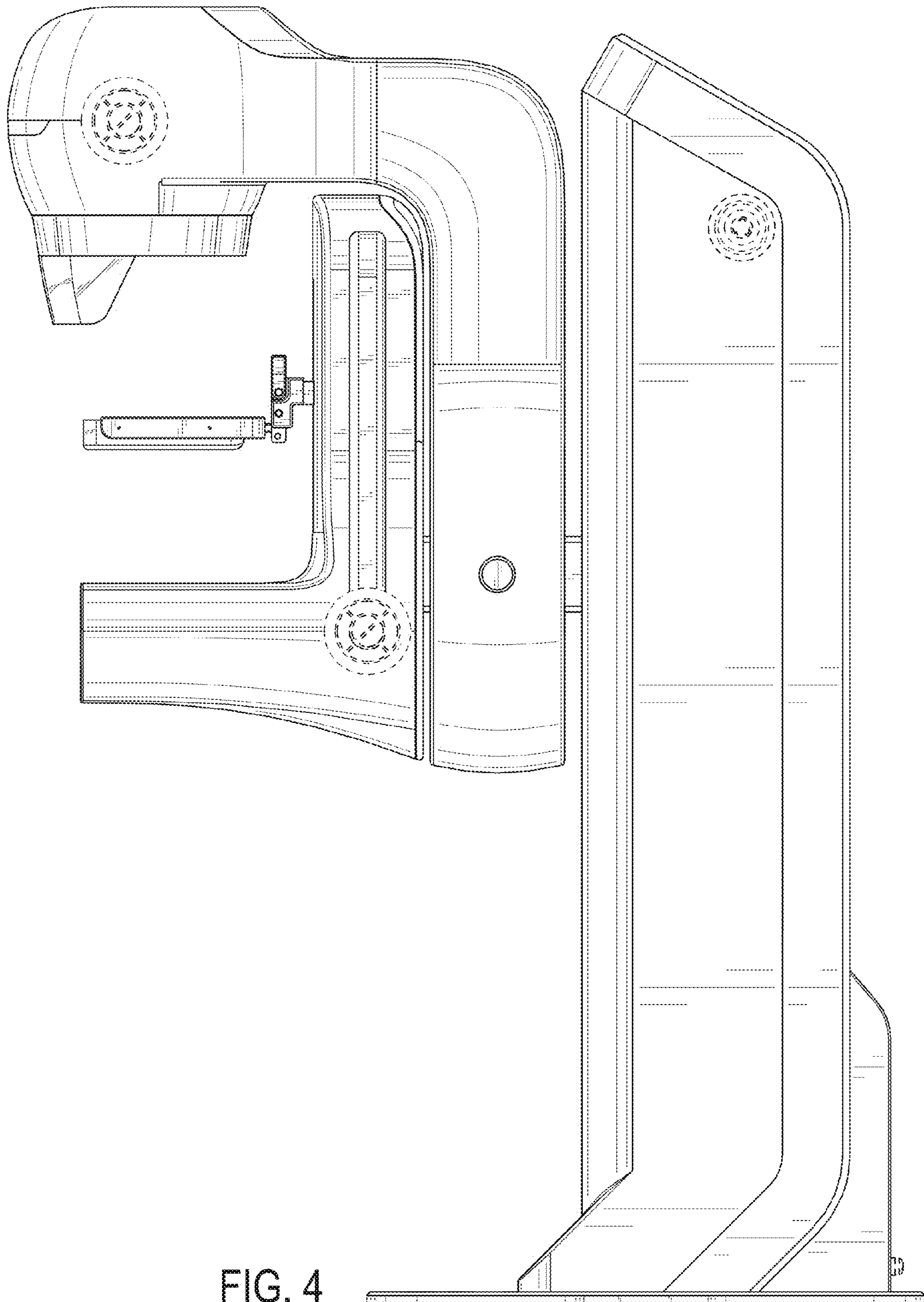


FIG. 2





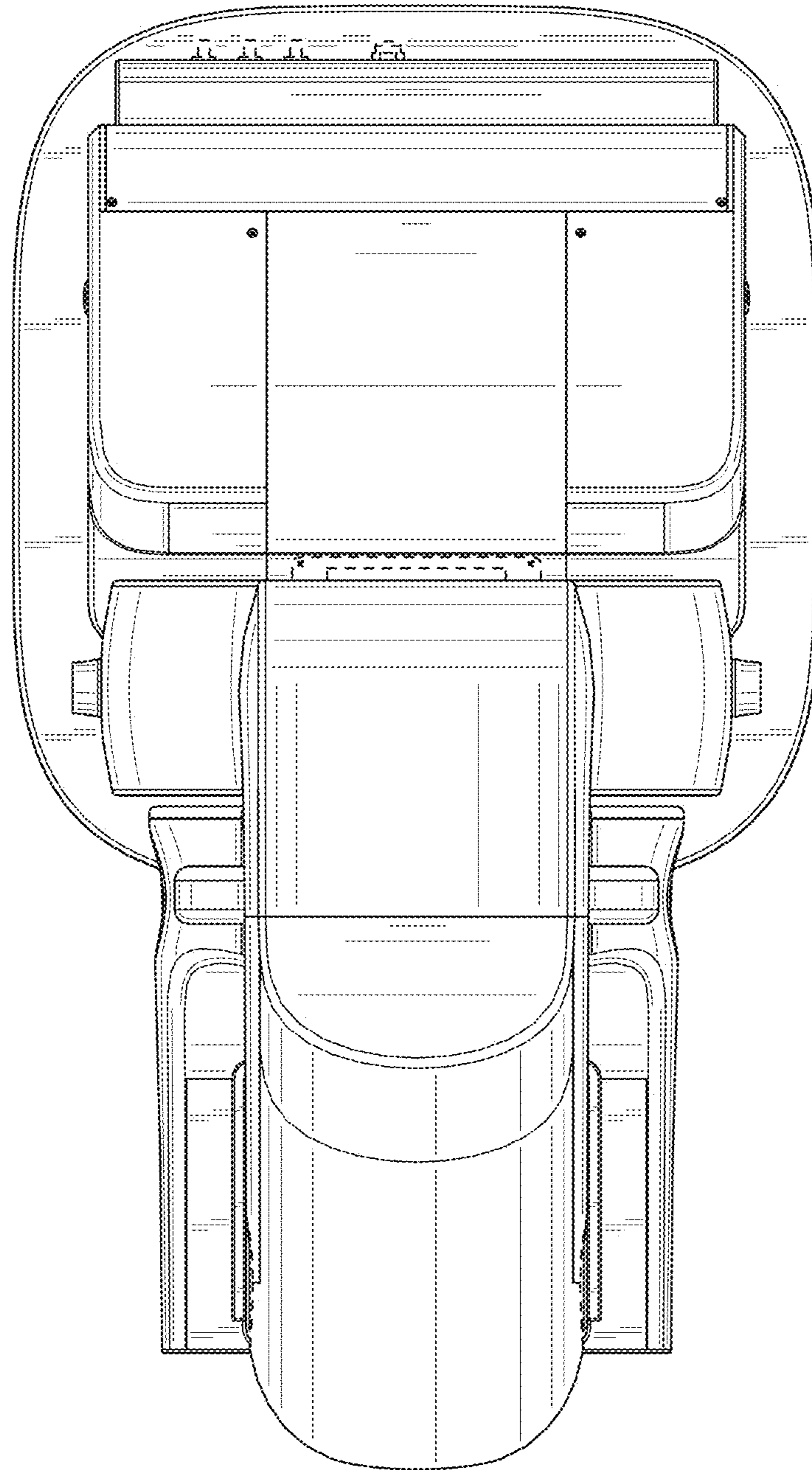


FIG. 5

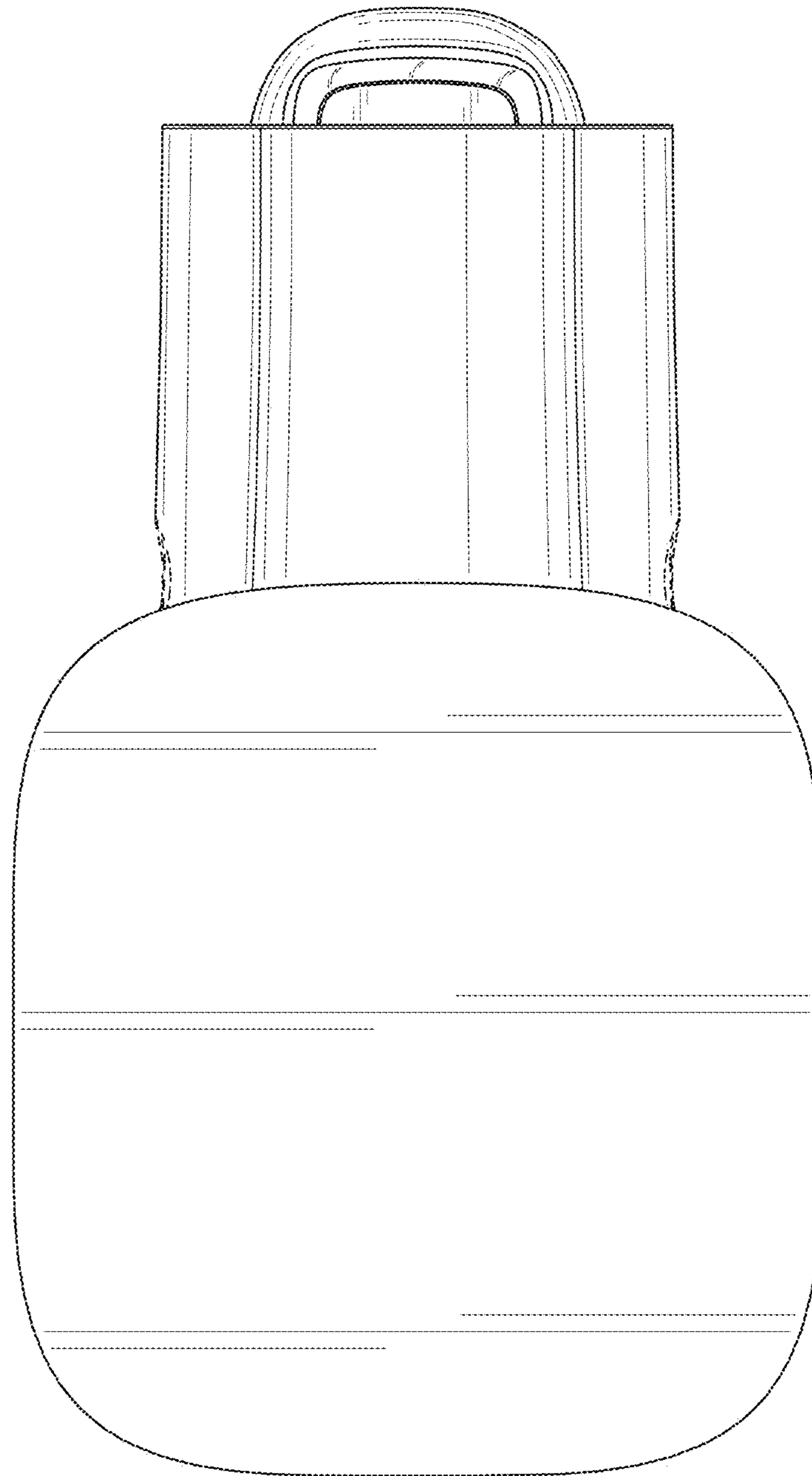


FIG. 6

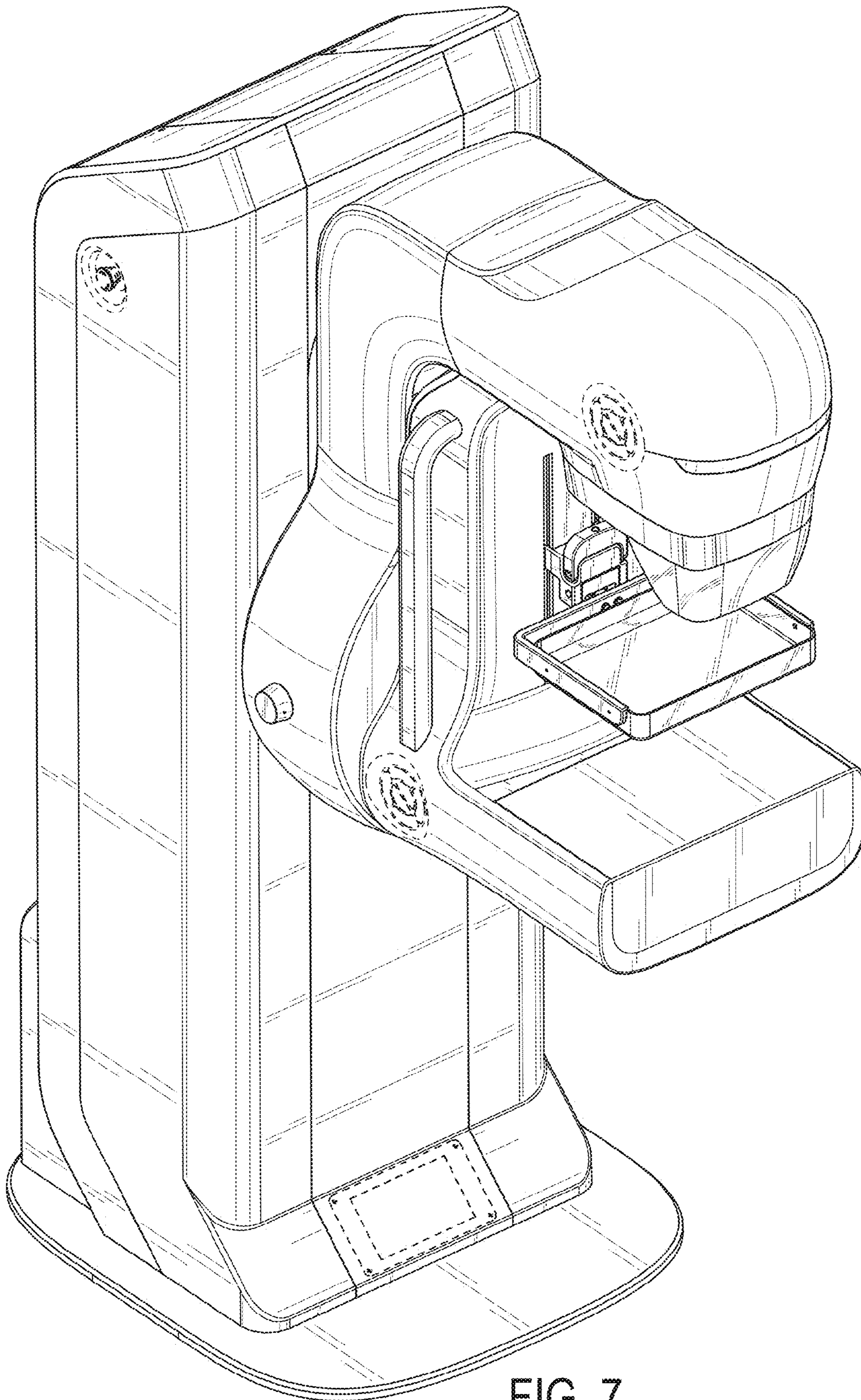


FIG. 7

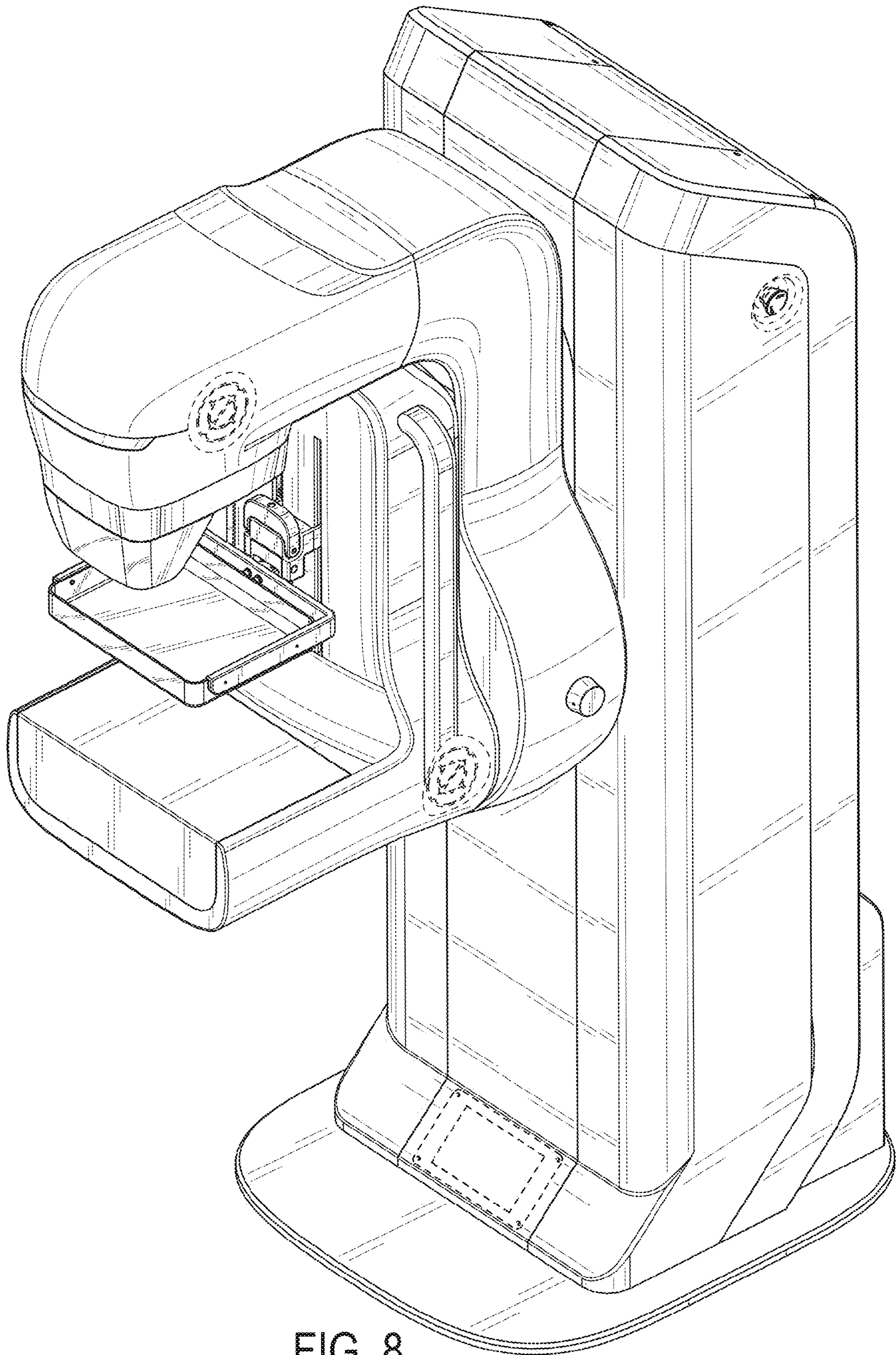


FIG. 8

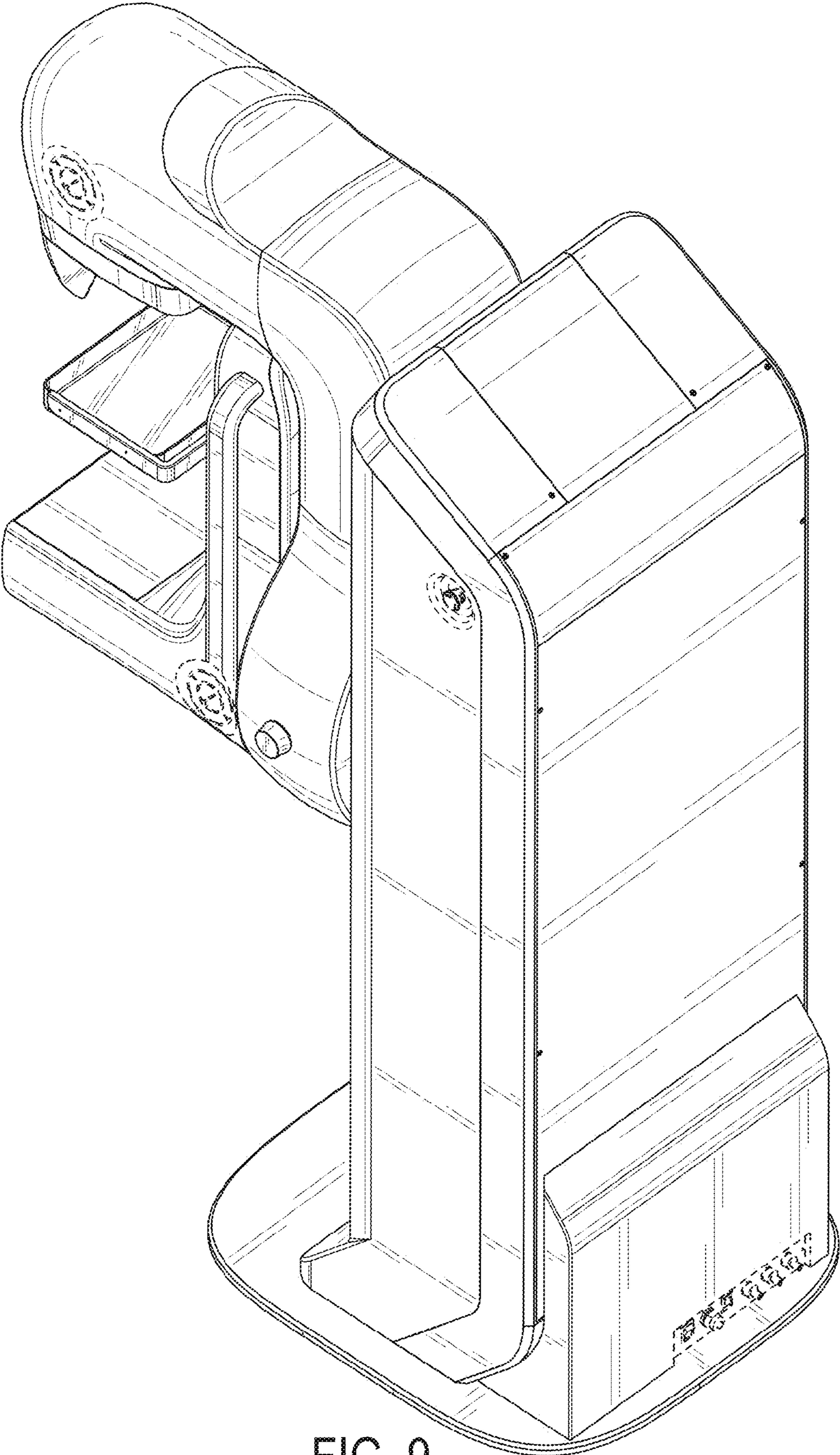


FIG. 9

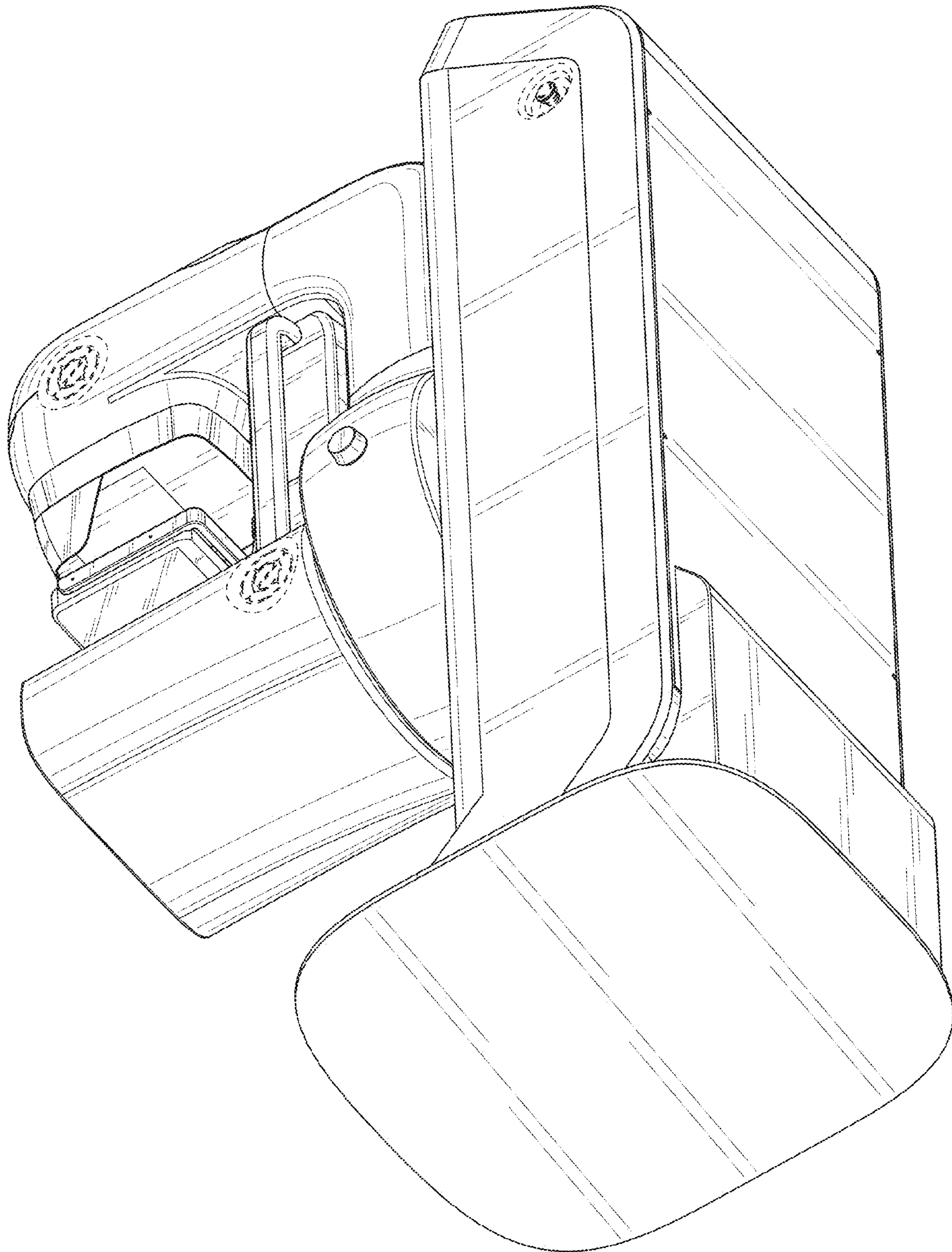


FIG. 10

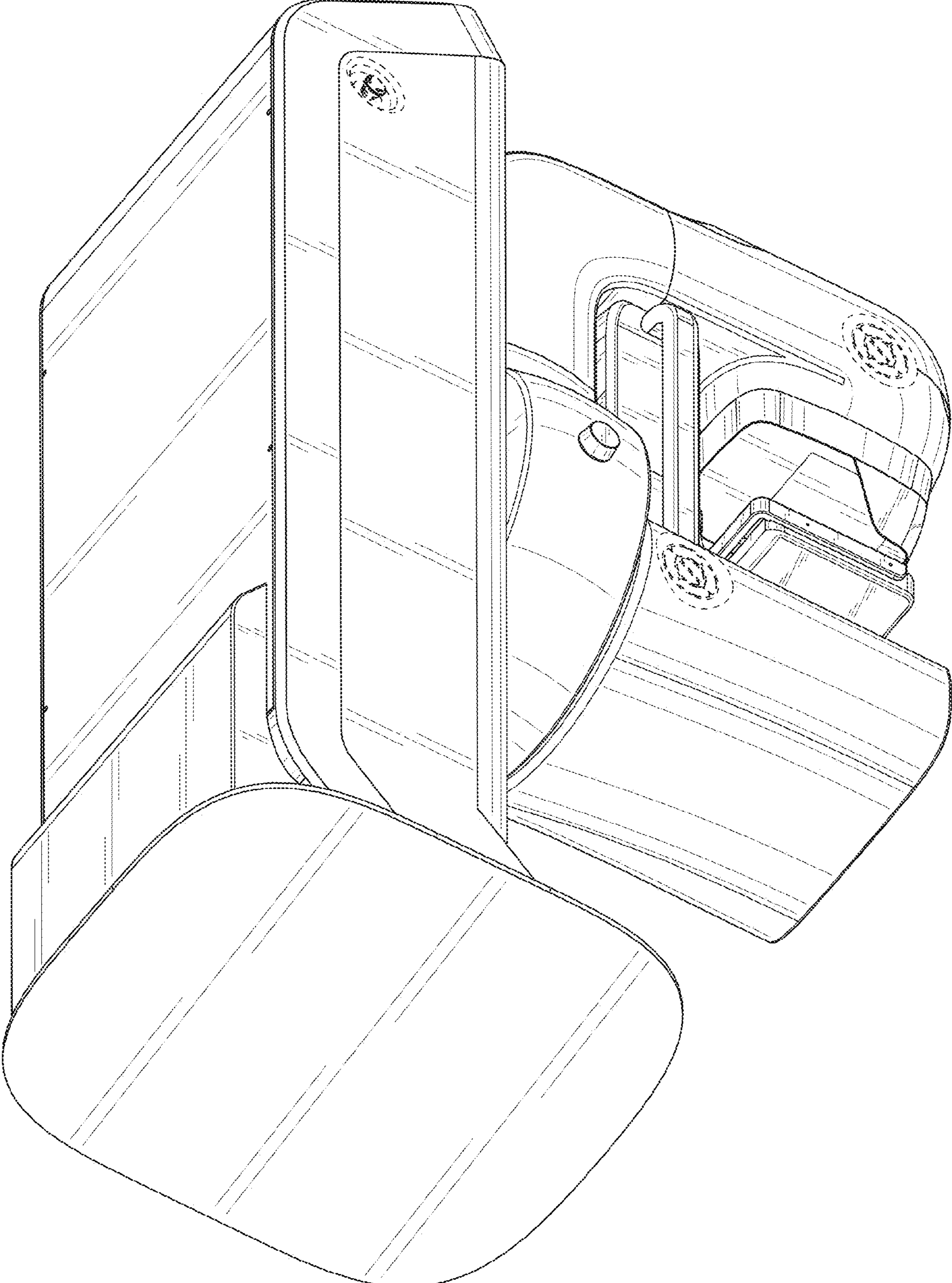


FIG. 11

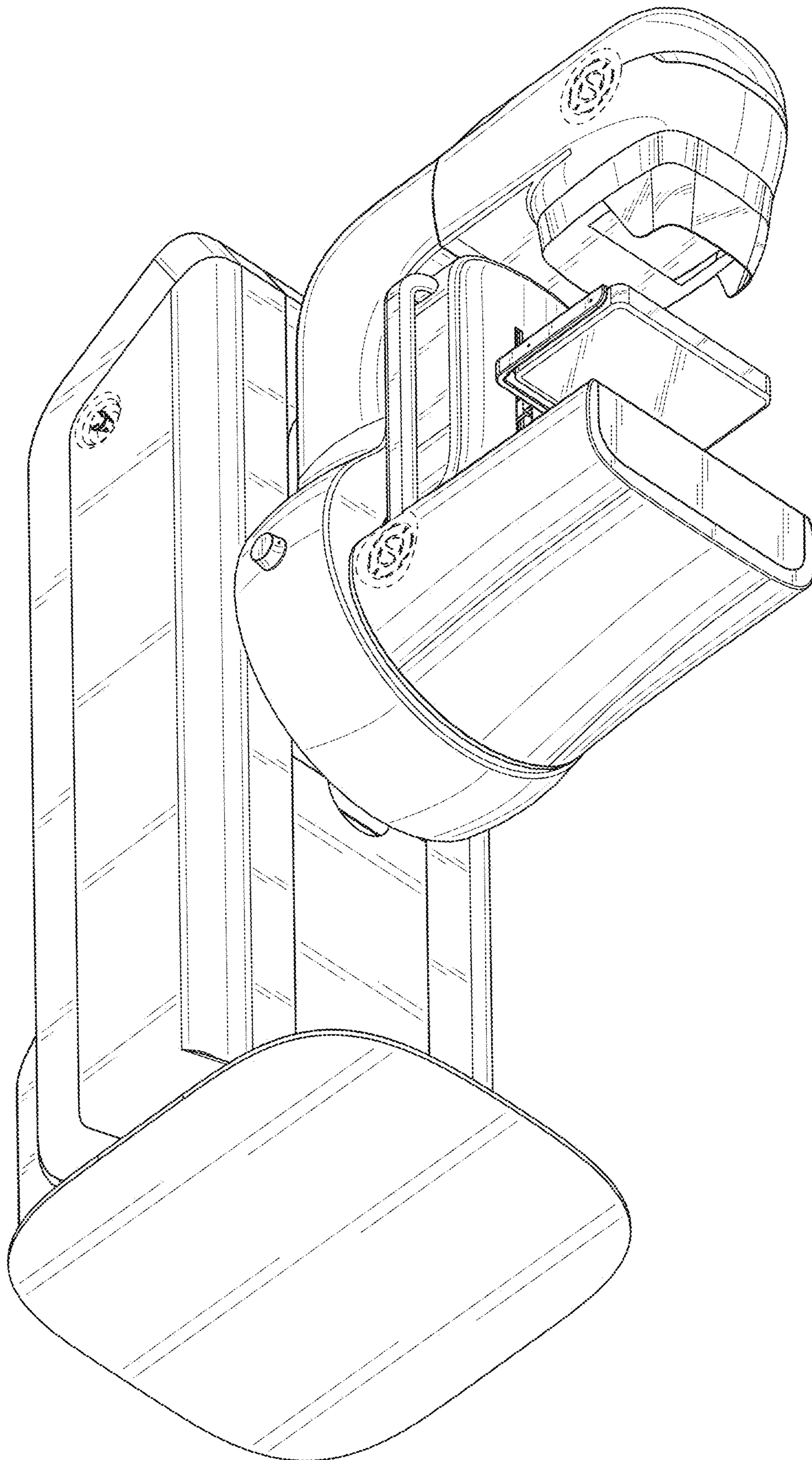


FIG. 12

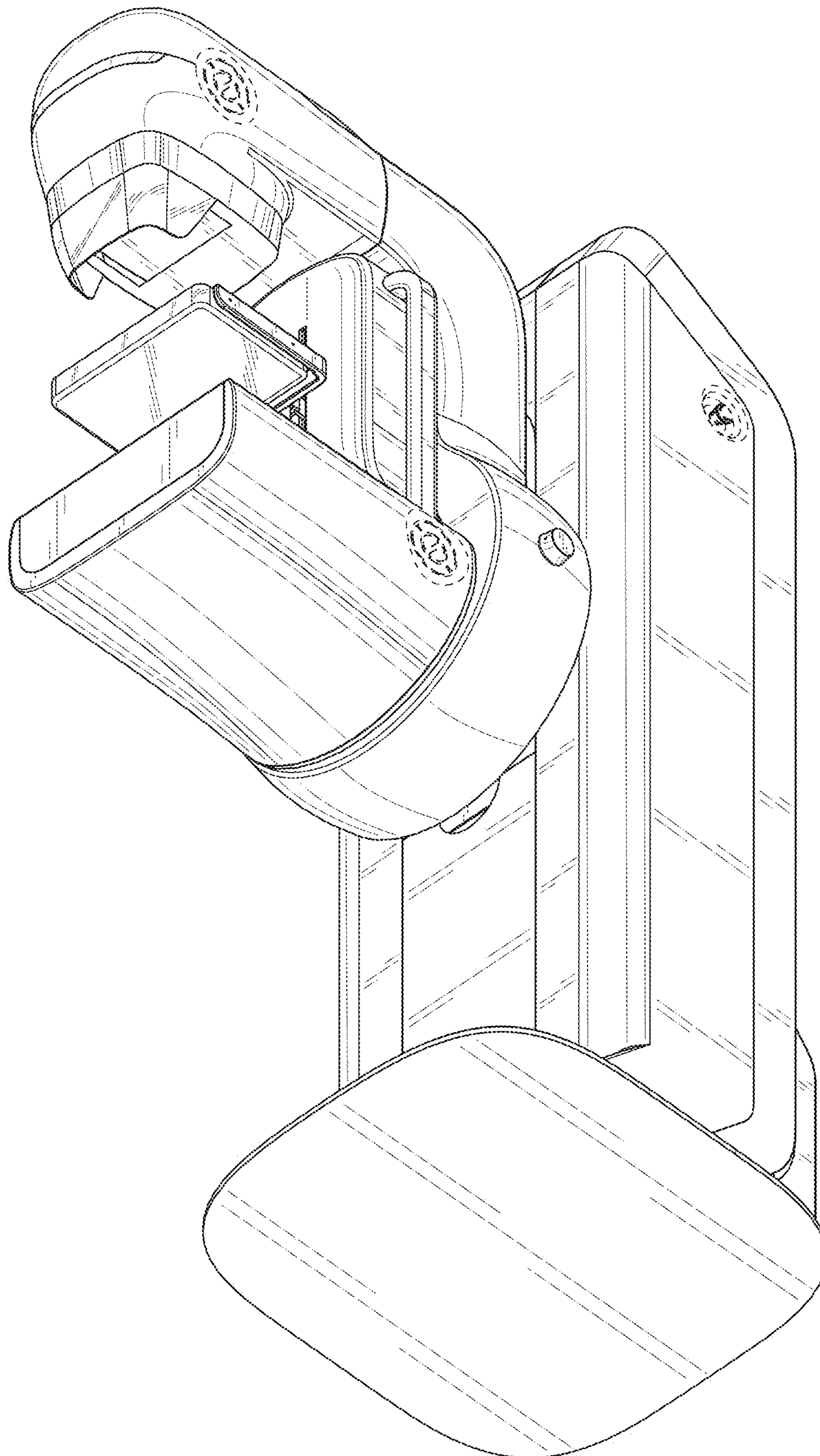


FIG. 13

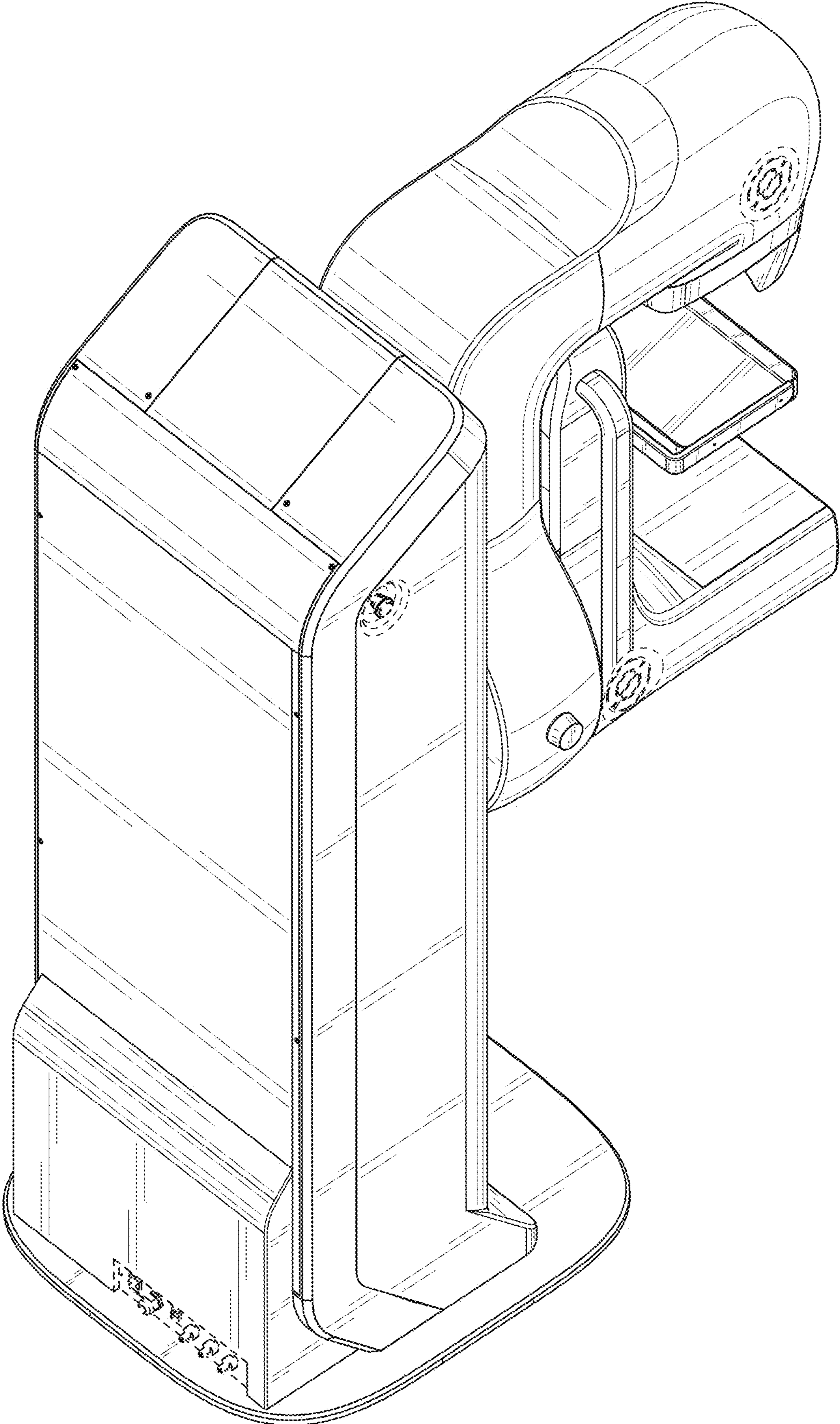


FIG. 14

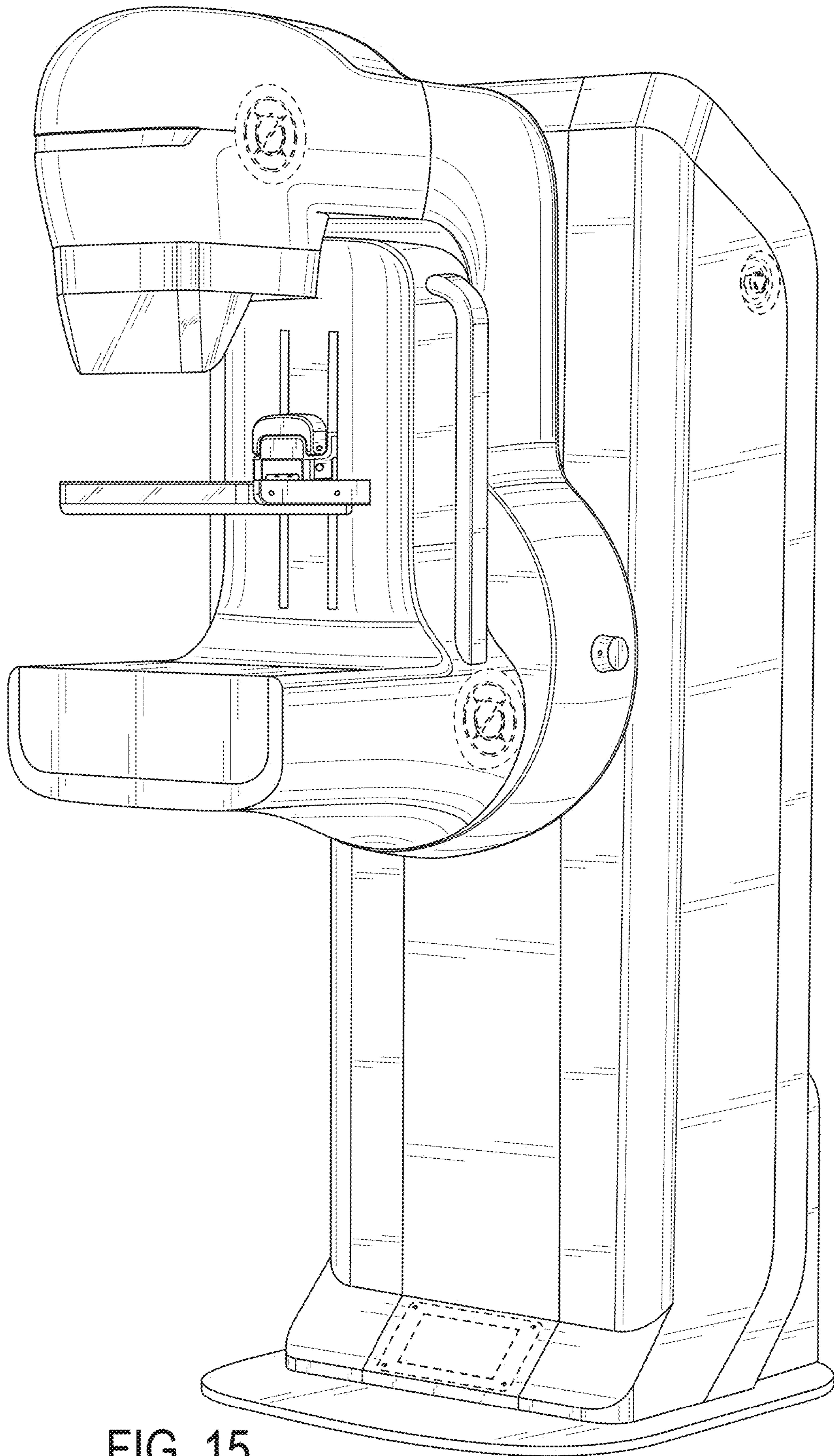


FIG. 15

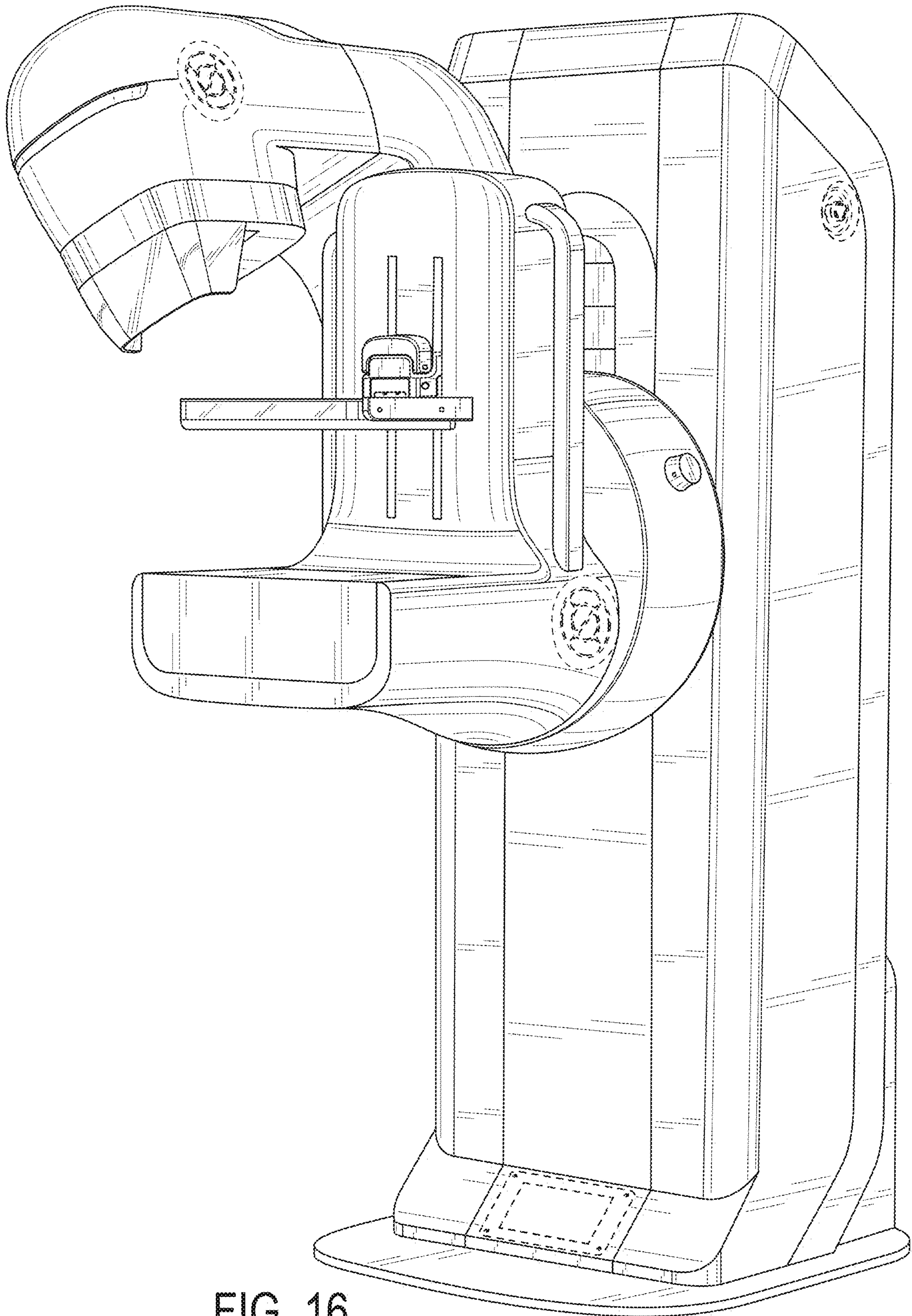


FIG. 16

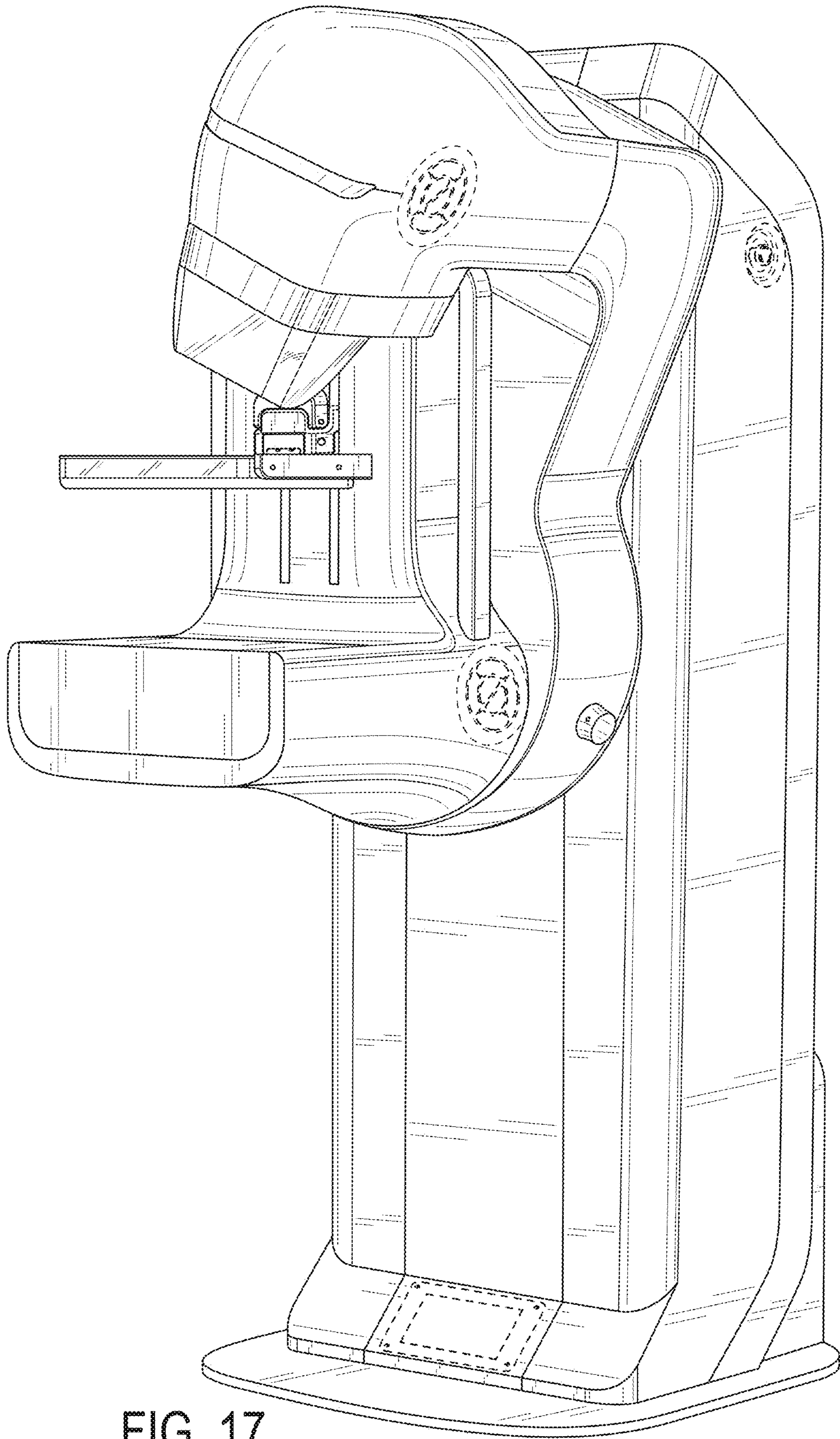


FIG. 17

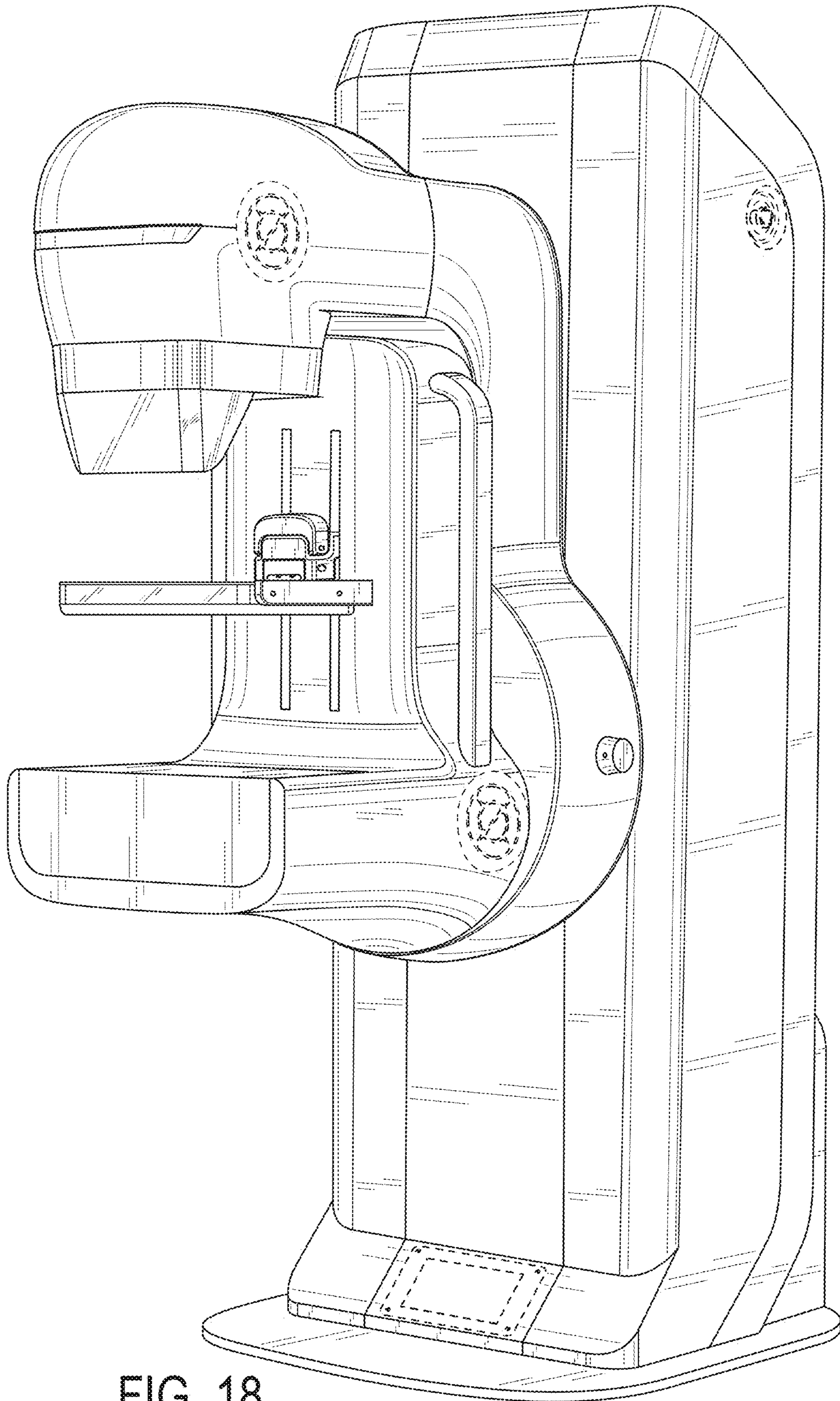


FIG. 18

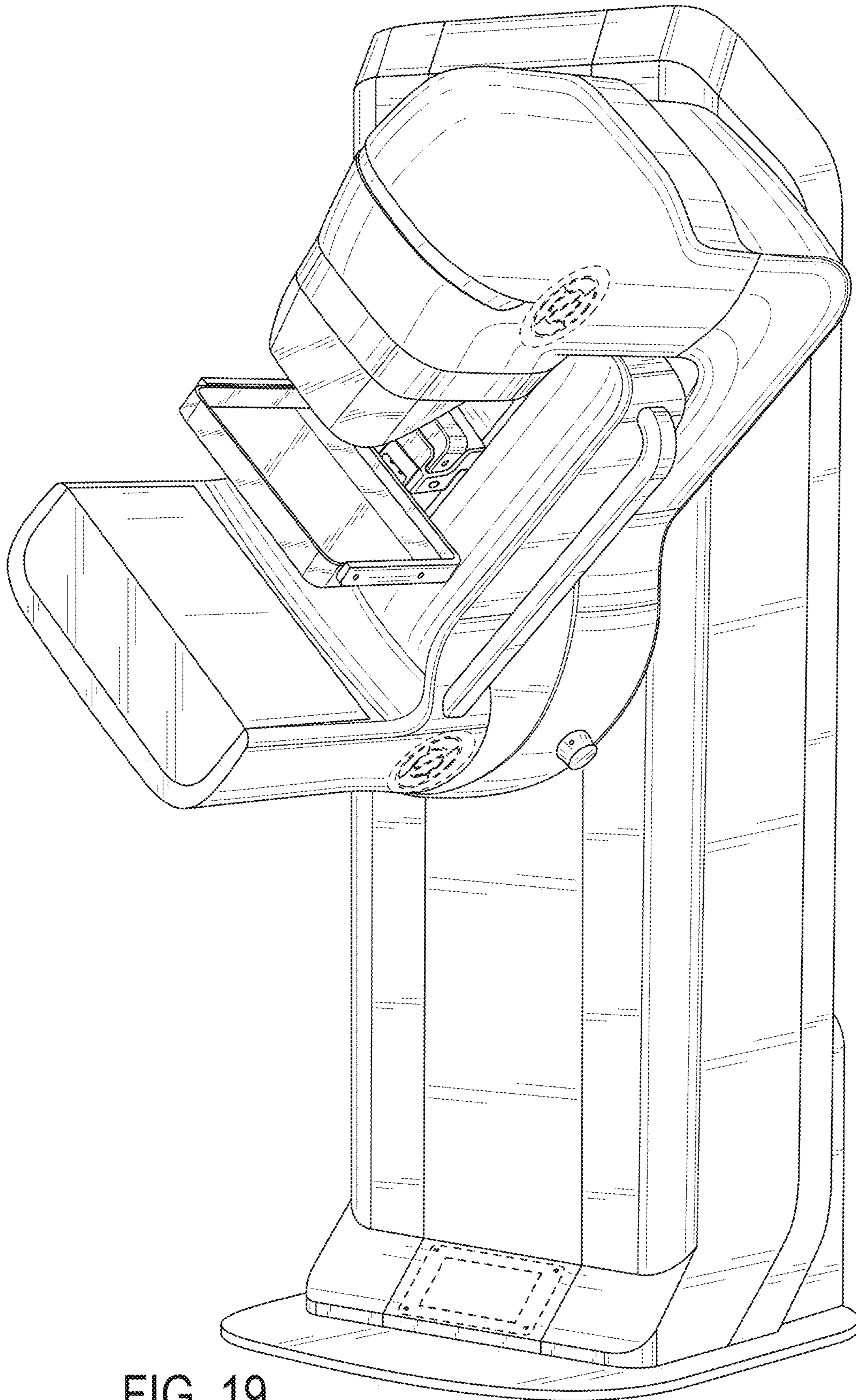


FIG. 19

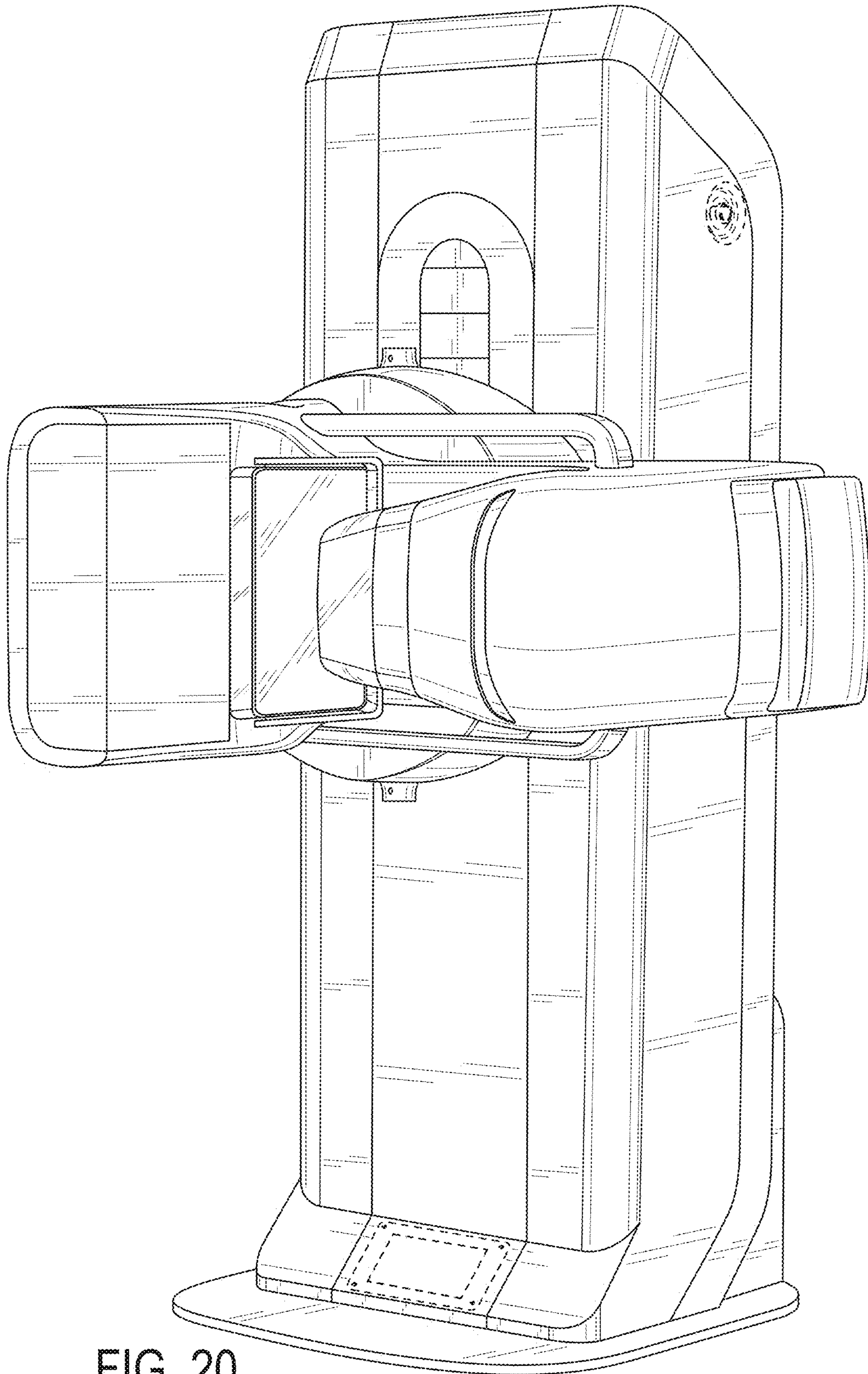


FIG. 20

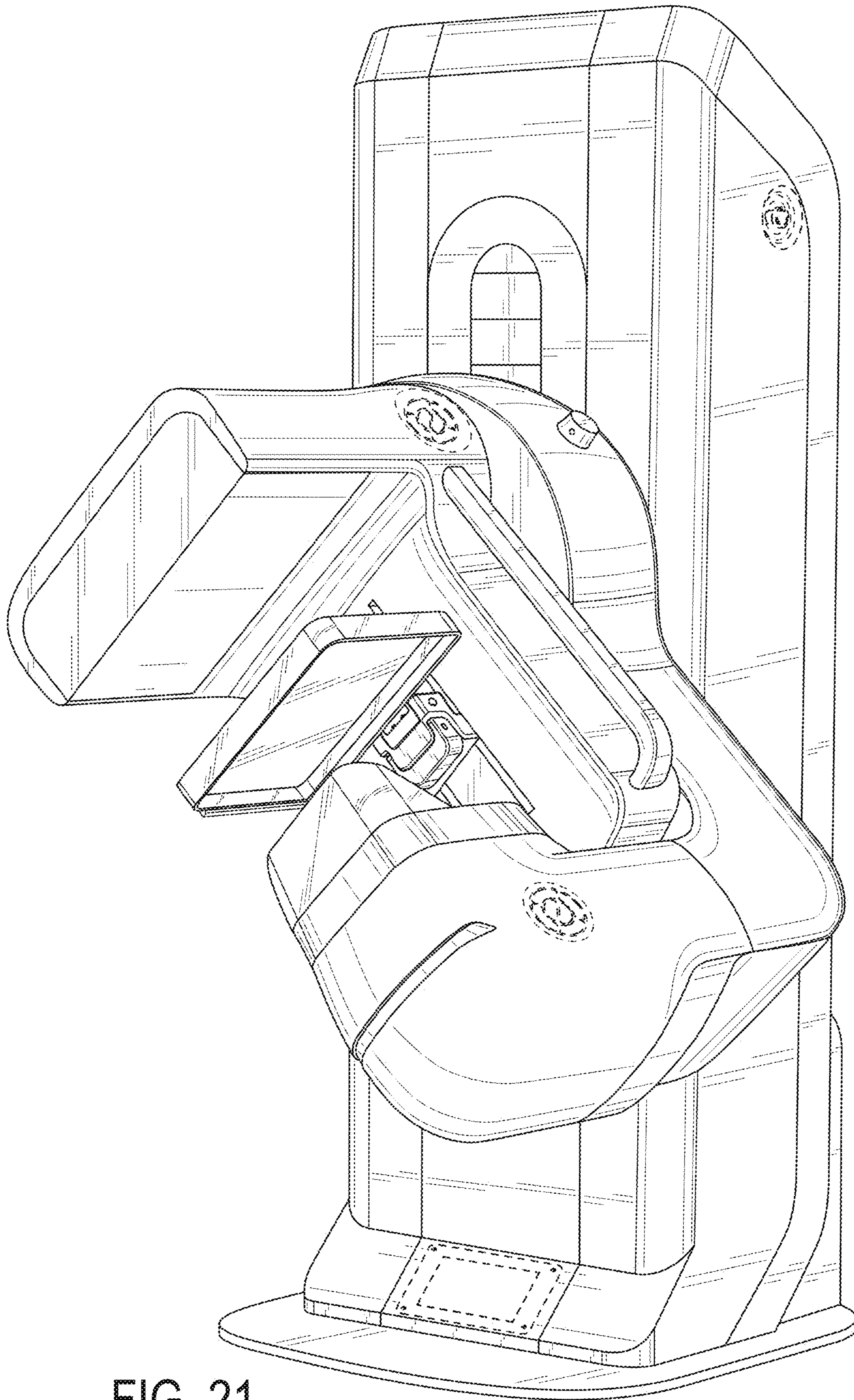


FIG. 21

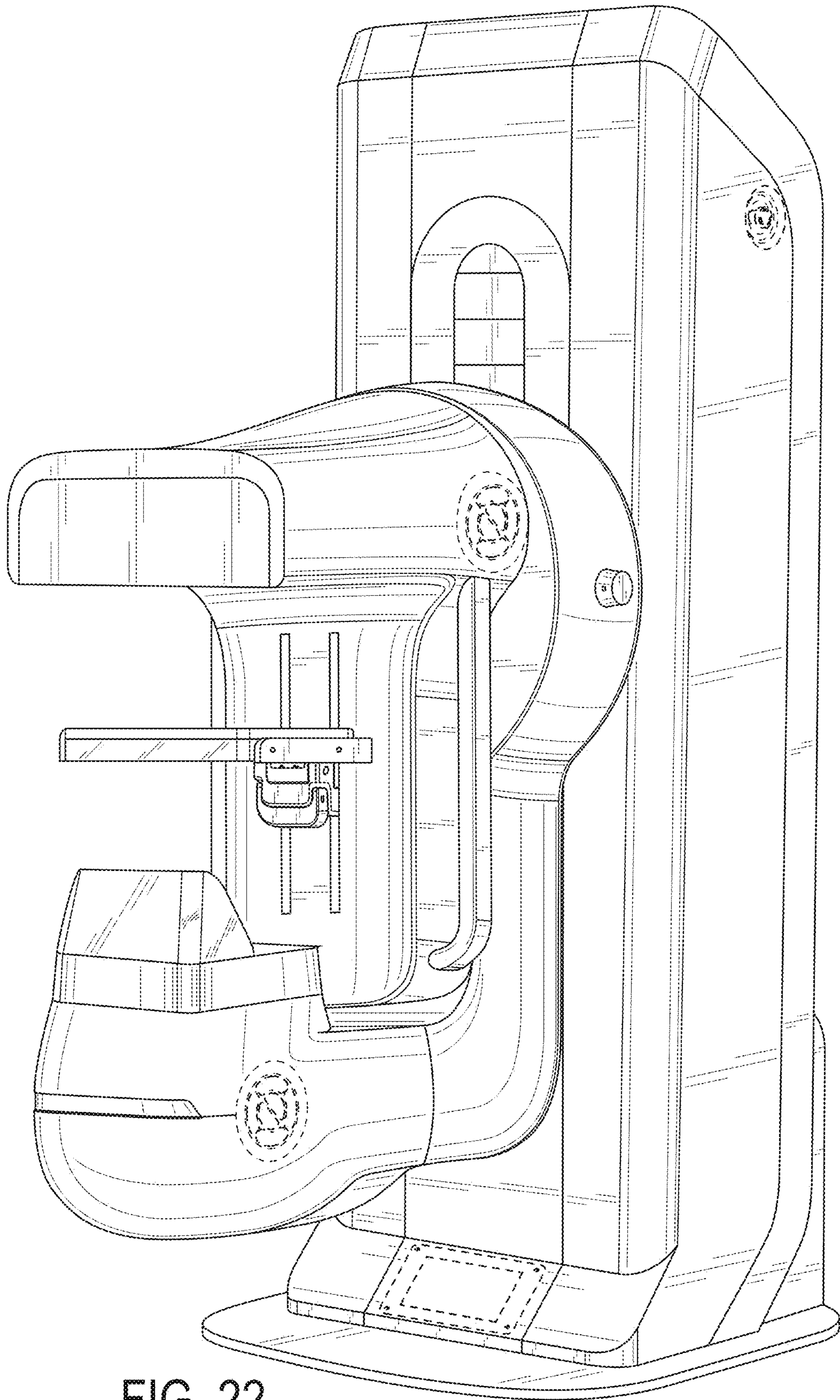


FIG. 22

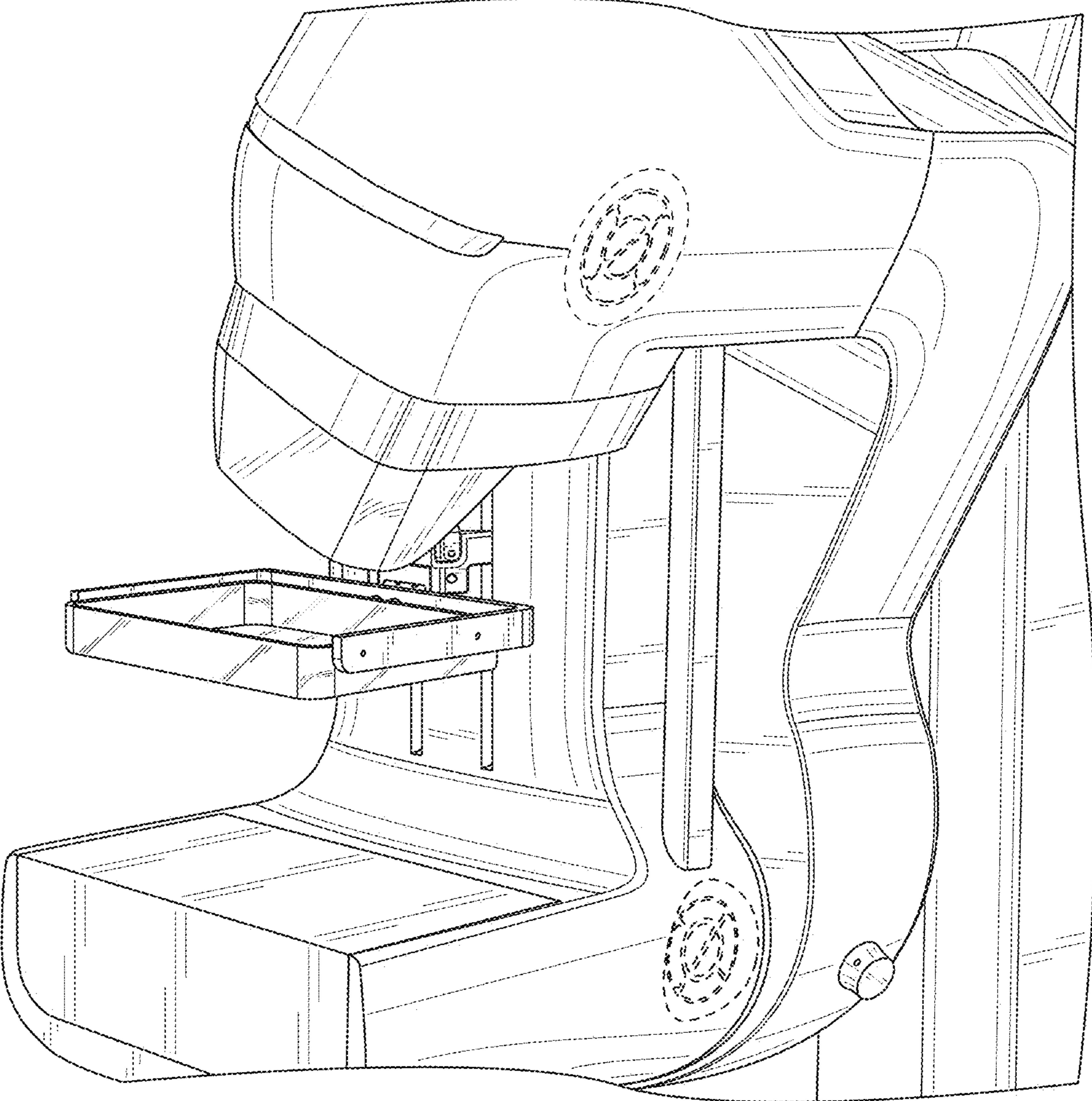


FIG. 23

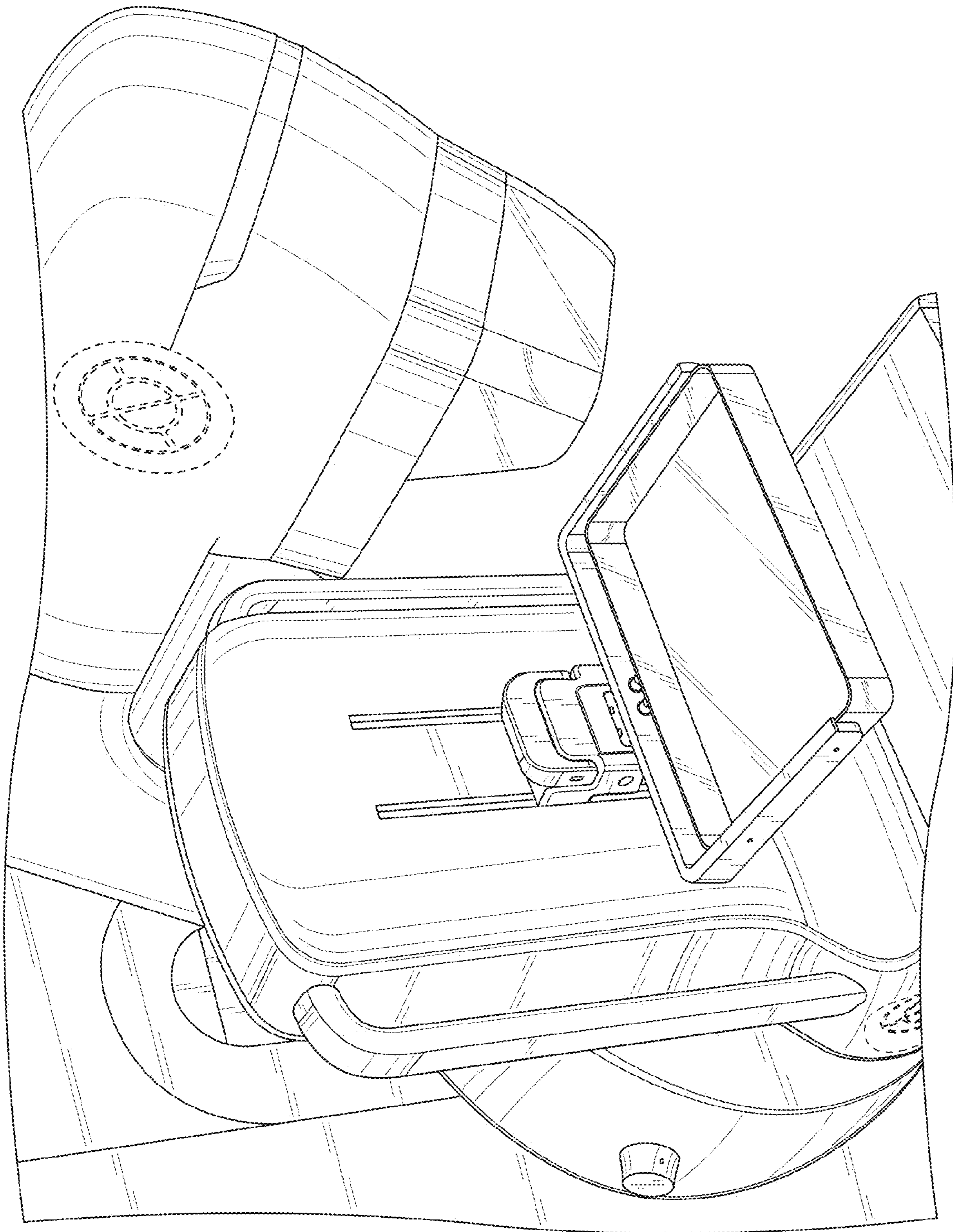


FIG. 24

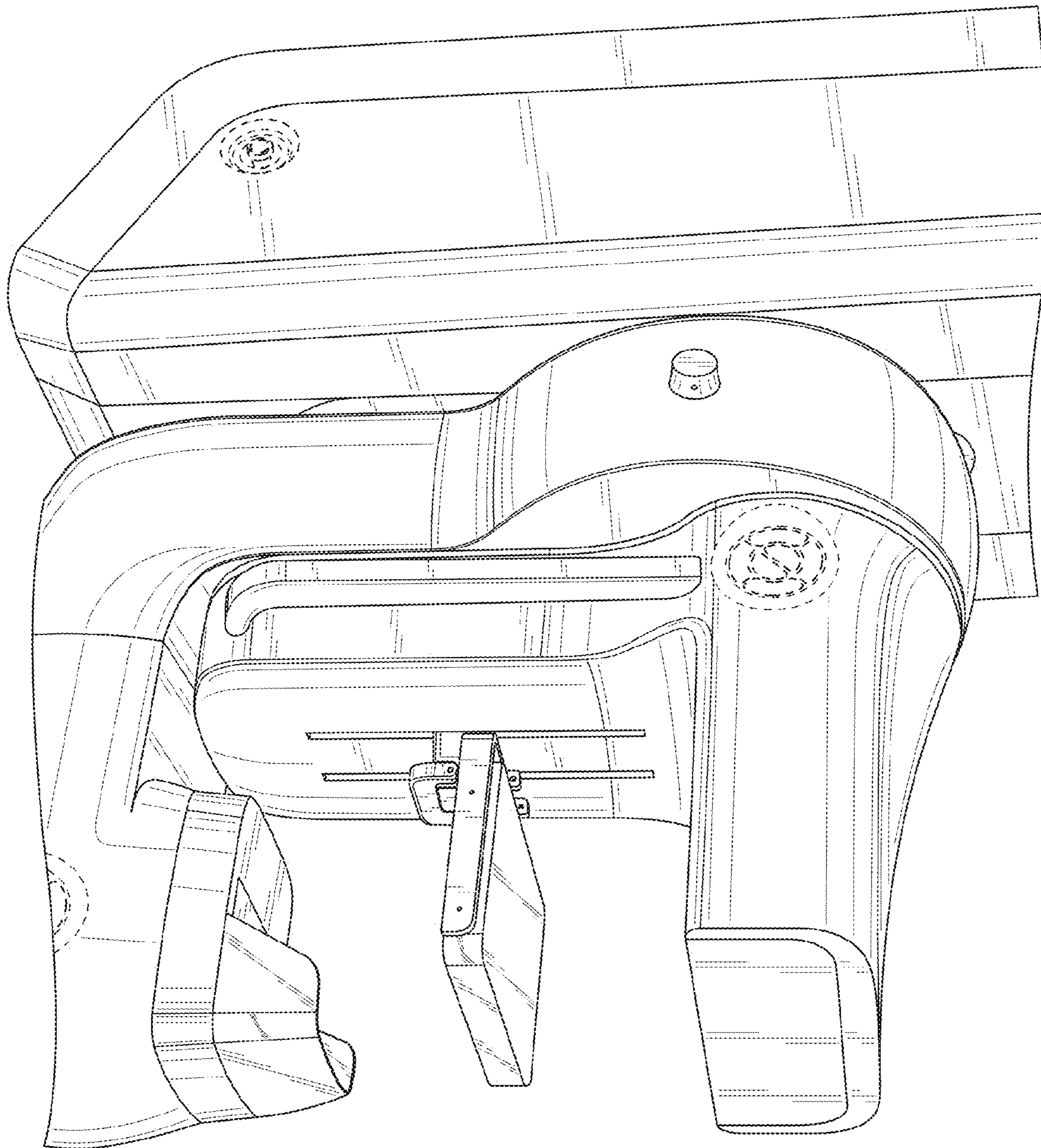


FIG. 25

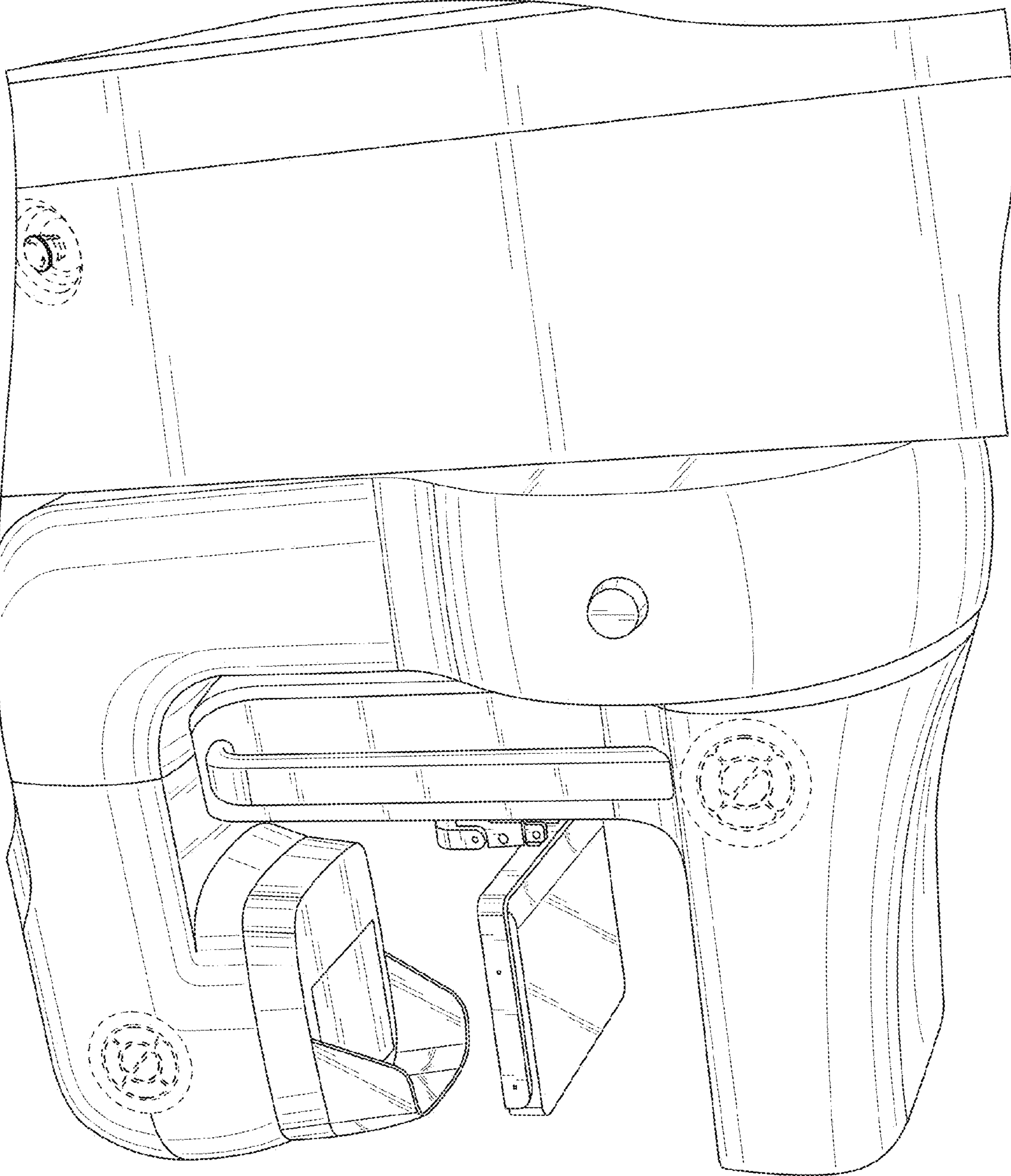


FIG. 26

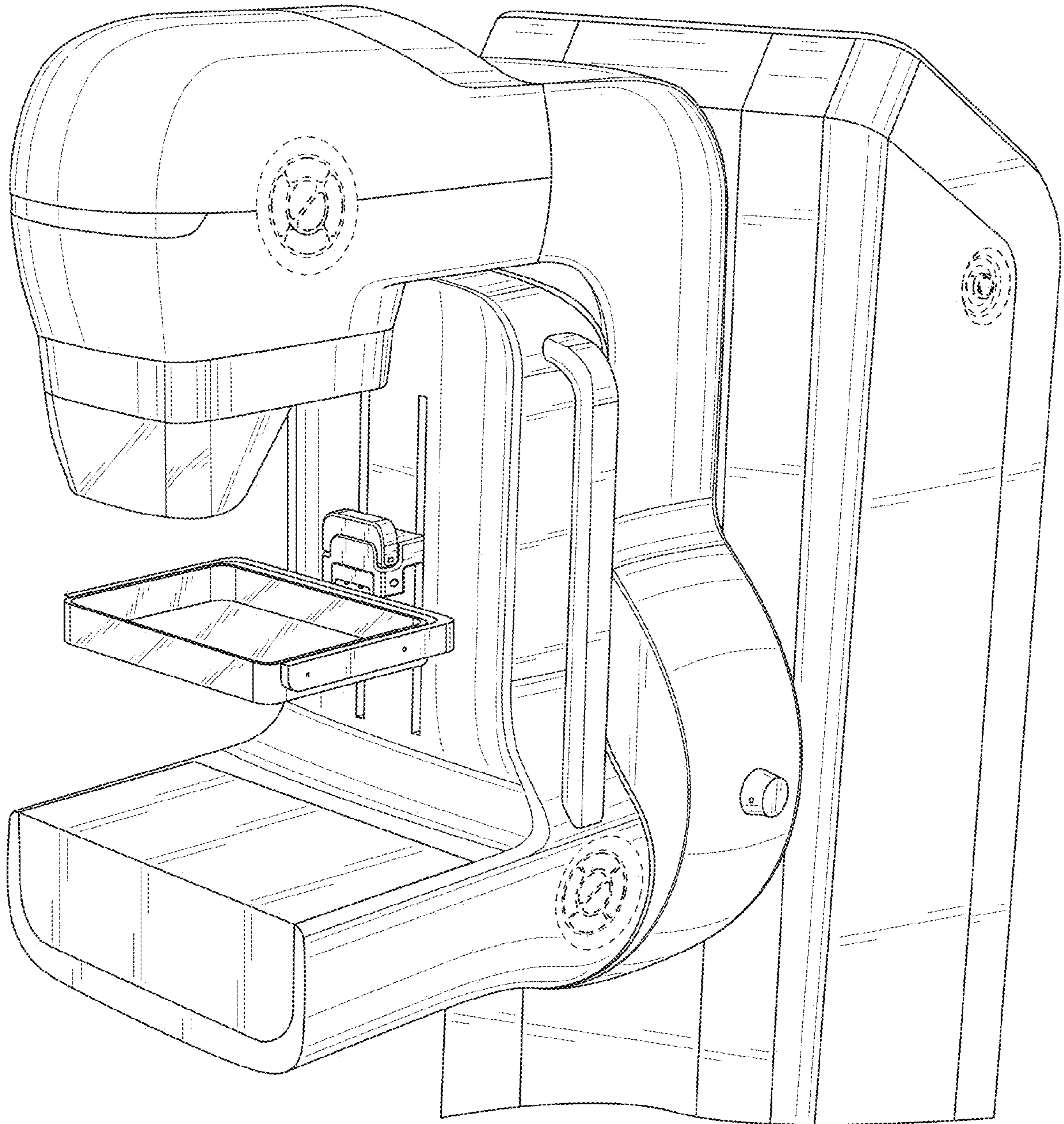


FIG. 27