



US00D892333S

(12) **United States Design Patent**
Warlick

(10) **Patent No.:** **US D892,333 S**

(45) **Date of Patent:** **** Aug. 4, 2020**

(54) **PROTECTIVE MEDICAL DEVICE
ACCESSORY**

(71) Applicant: **Daniel A. Warlick**, Tulsa, OK (US)

(72) Inventor: **Daniel A. Warlick**, Tulsa, OK (US)

(**) Term: **15 Years**

(21) Appl. No.: **29/667,468**

(22) Filed: **Oct. 22, 2018**

(51) **LOC (12) Cl.** **24-01**

(52) **U.S. Cl.**
USPC **D24/158**

(58) **Field of Classification Search**
USPC D24/107, 158-161, 186; D10/78;
D16/130

CPC A61B 6/485; G01N 23/043; G01N 23/223;
G01N 2223/076; G01N 2223/0766; G01N
2223/301; G01B 15/02; H02J 7/0044

See application file for complete search history.

2009/0057582 A1* 3/2009 Dugas G01N 35/00732
250/522.1
2010/0226476 A1* 9/2010 Pesce G01N 23/223
378/44
2014/0301533 A1* 10/2014 Failla, Jr. G01N 23/223
378/45

FOREIGN PATENT DOCUMENTS

CN 205067392 3/2016
CN 107157066 9/2017

* cited by examiner

Primary Examiner — Anhdao Doan

(74) *Attorney, Agent, or Firm* — James F. Lea, III; Gable
Gotwals

(57) **CLAIM**

The ornamental design for a protective medical device
accessory, as shown and described.

(56) **References Cited**

U.S. PATENT DOCUMENTS

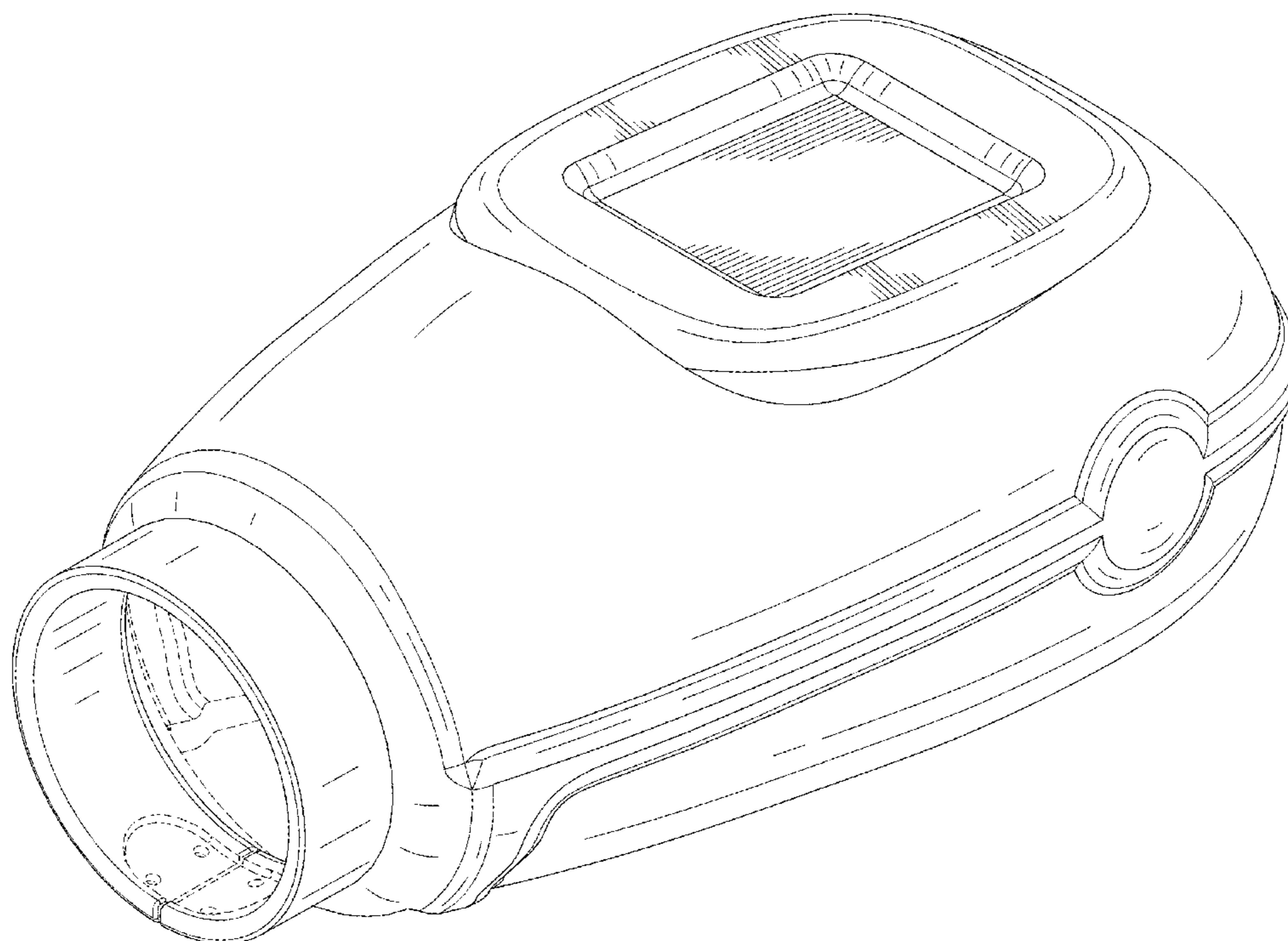
D338,417 S * 8/1993 Van Aken D10/78
5,897,503 A 4/1999 Lyon et al.
5,928,154 A 7/1999 Silber et al.
6,237,192 B1 5/2001 Garrison et al.
6,459,767 B1* 10/2002 Boyer G01N 23/223
378/121
D492,997 S * 7/2004 DiStasio D24/158
7,224,769 B2 5/2007 Turner
7,496,178 B2 2/2009 Turner
8,989,352 B2 3/2015 Laws et al.
9,101,284 B2 8/2015 Laws et al.

DESCRIPTION

FIG. 1 is a front perspective view of a protective medical
device accessory of the invention;
FIG. 2 is a right side view thereof;
FIG. 3 is a front view thereof;
FIG. 4 is a rear view thereof;
FIG. 5 is a bottom view thereof; and,
FIG. 6 is a top view thereof.

The broken lines illustrate portions of the protective medical
device accessory that form no part of the claimed design.

1 Claim, 5 Drawing Sheets



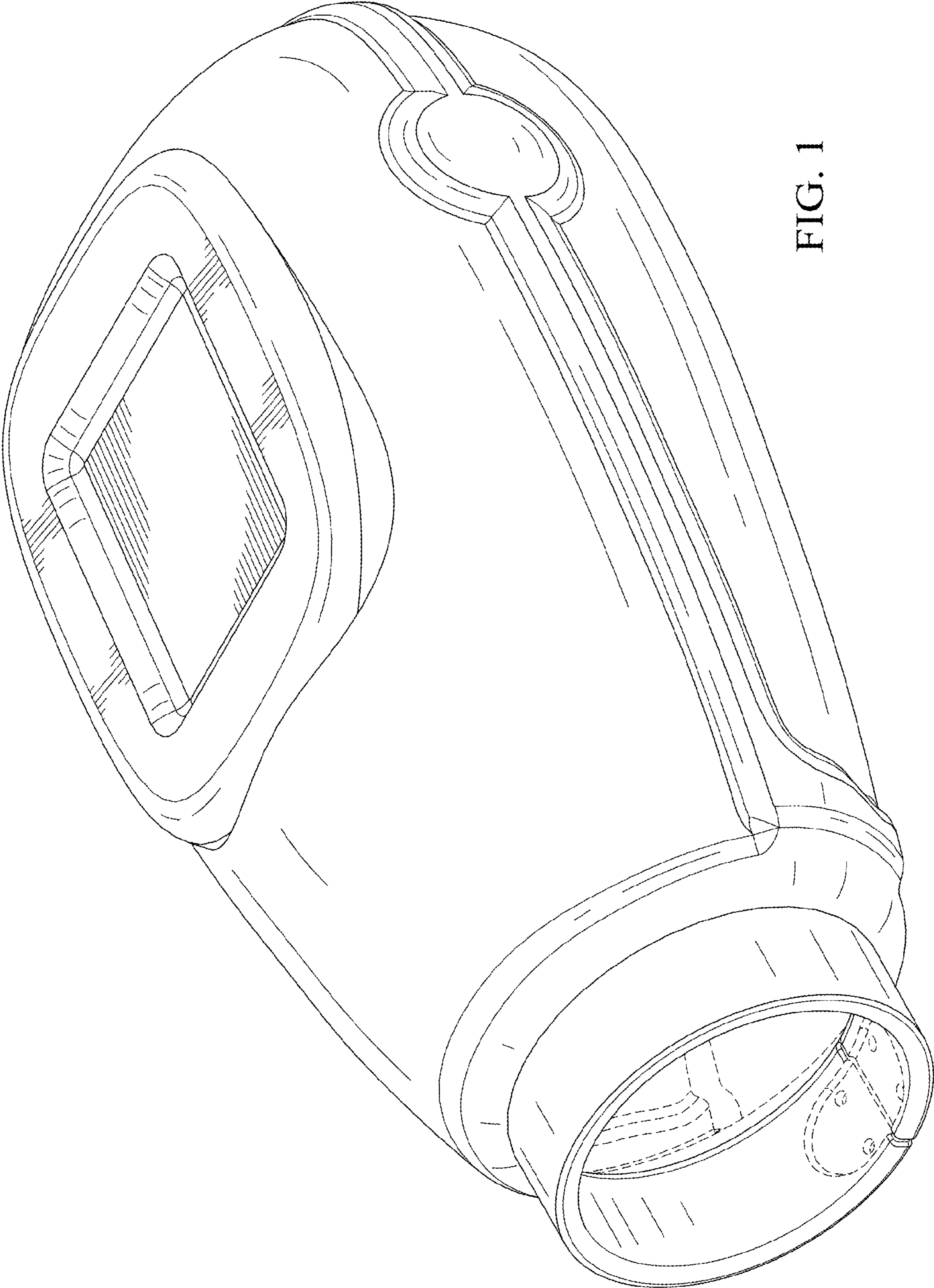


FIG. 1

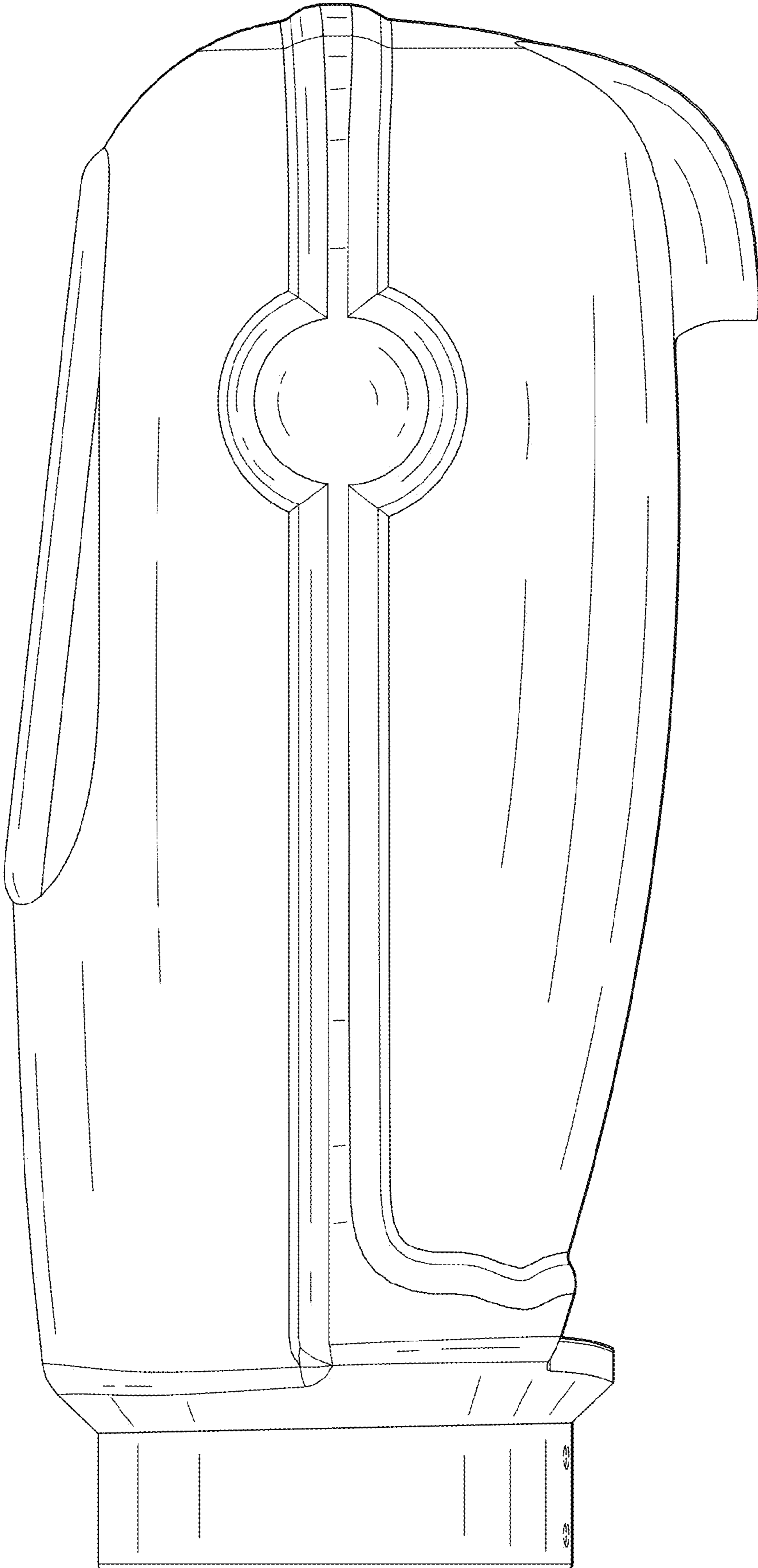


FIG. 2

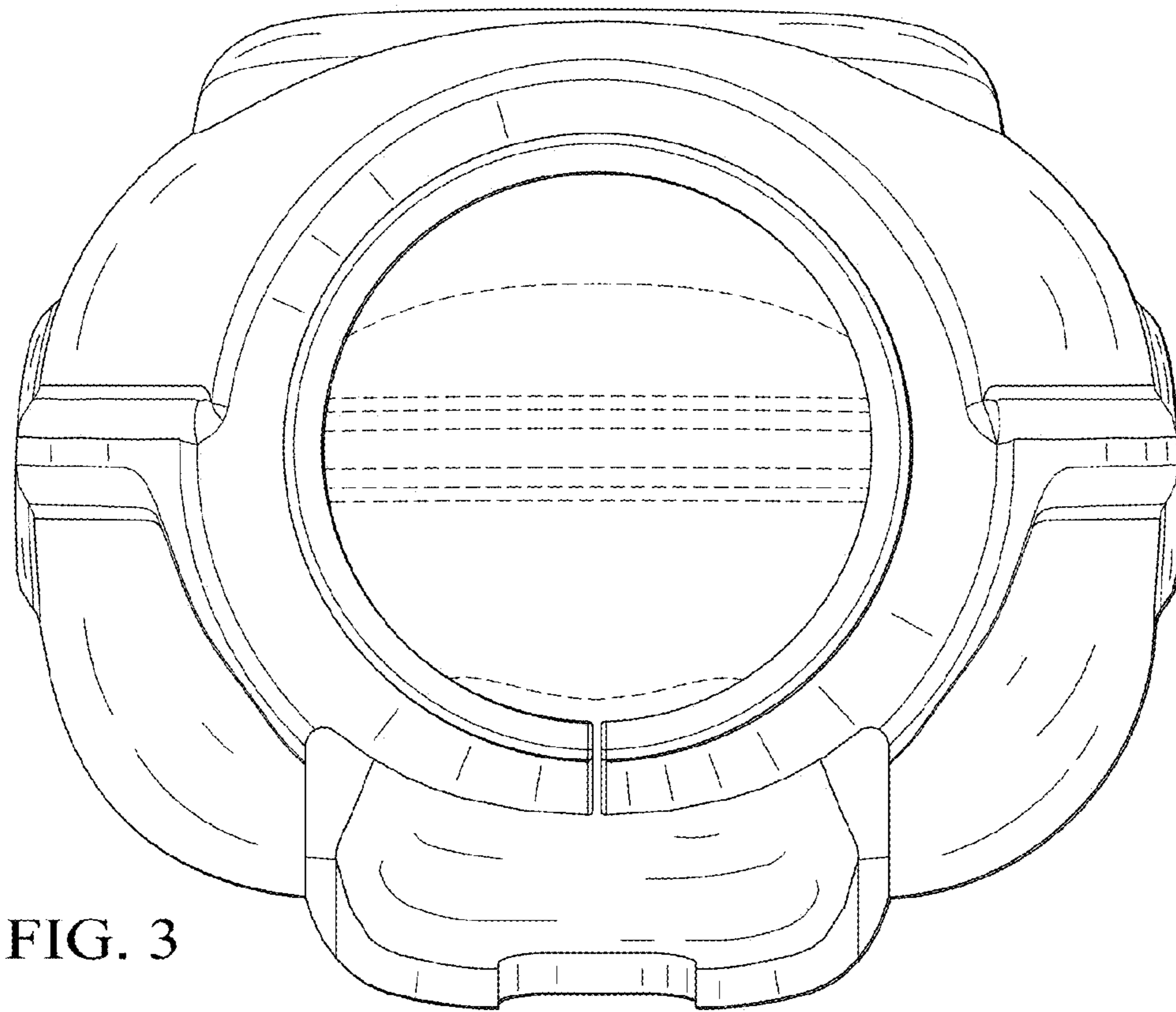


FIG. 3

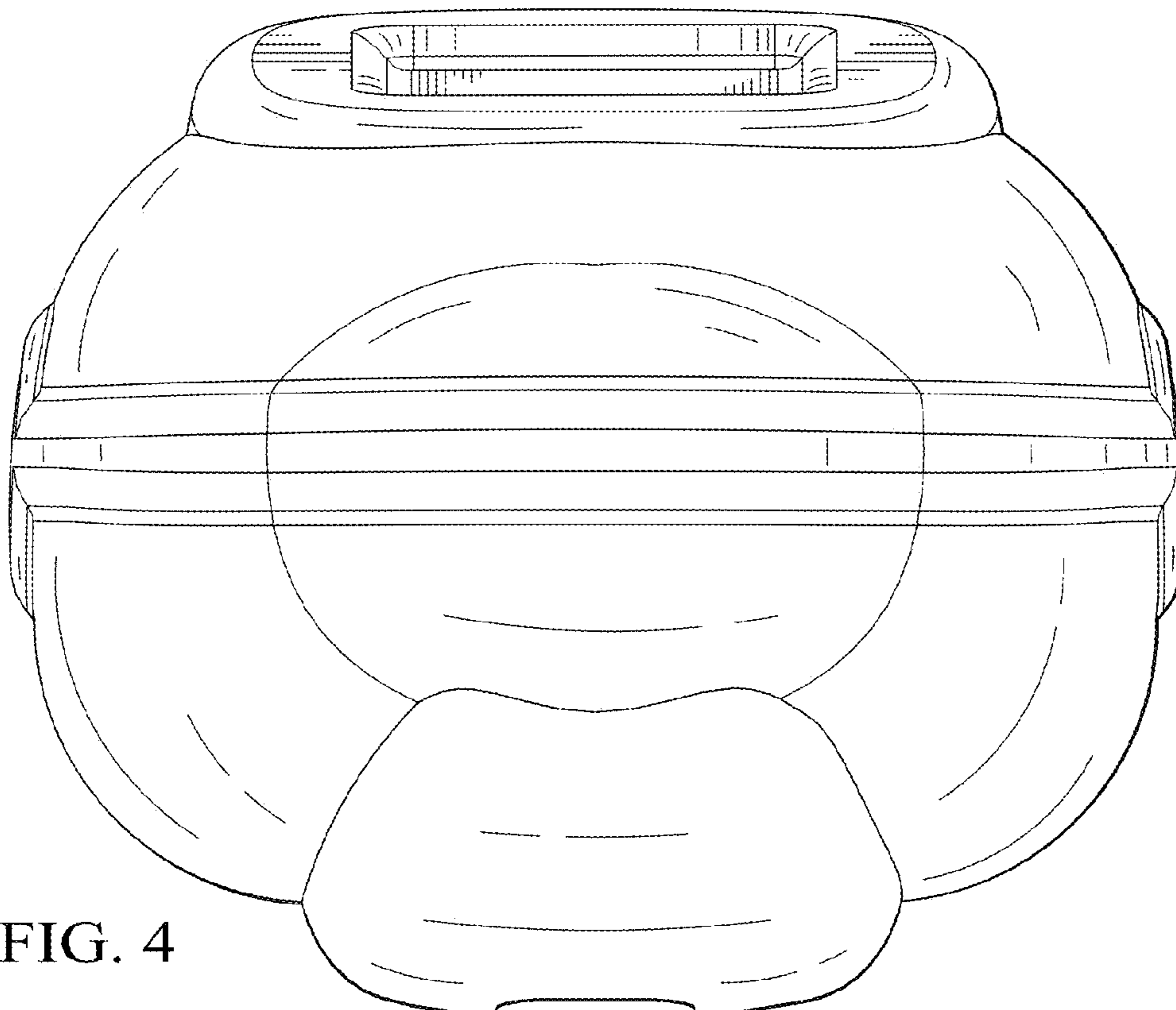


FIG. 4

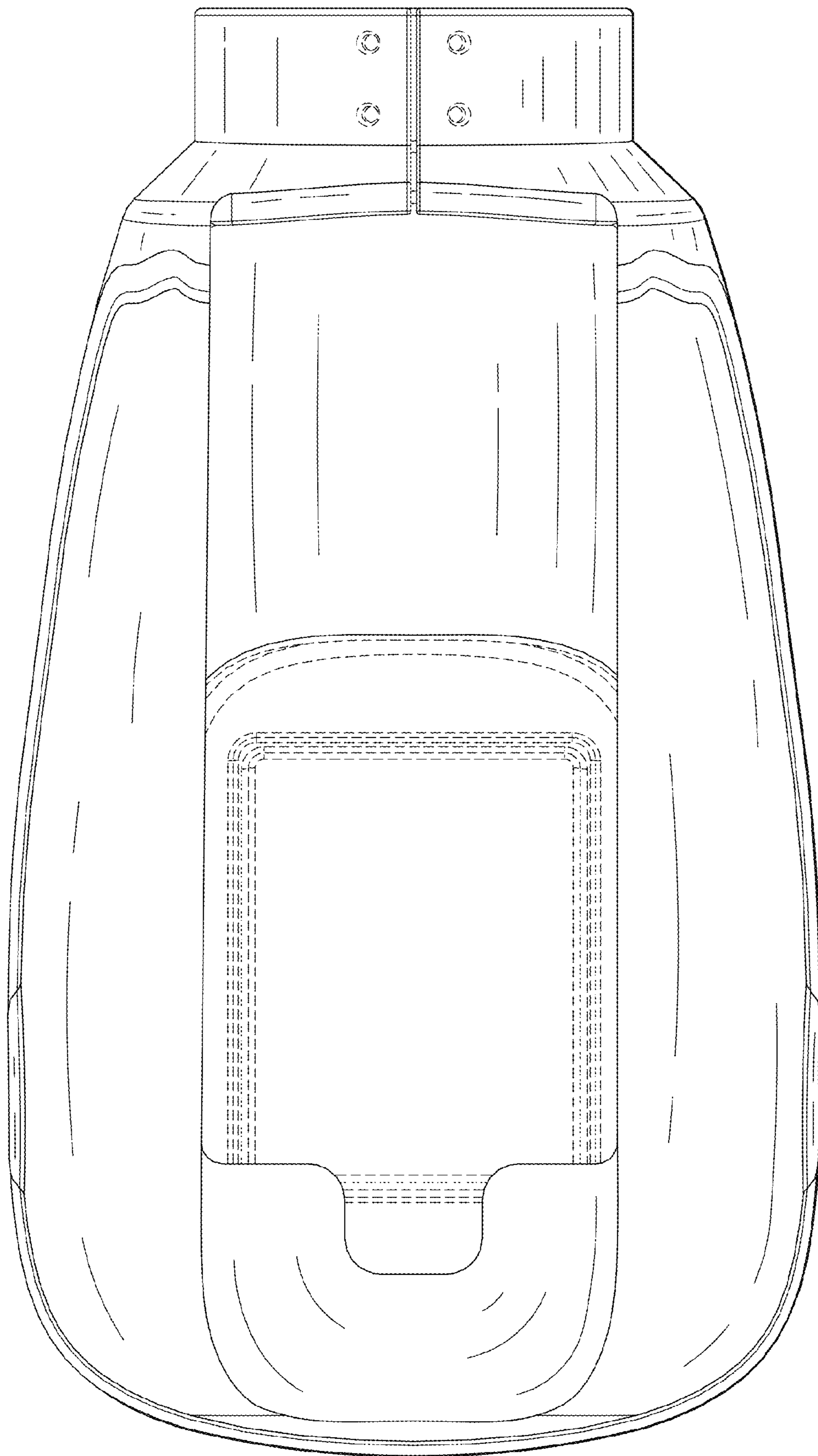


FIG. 5

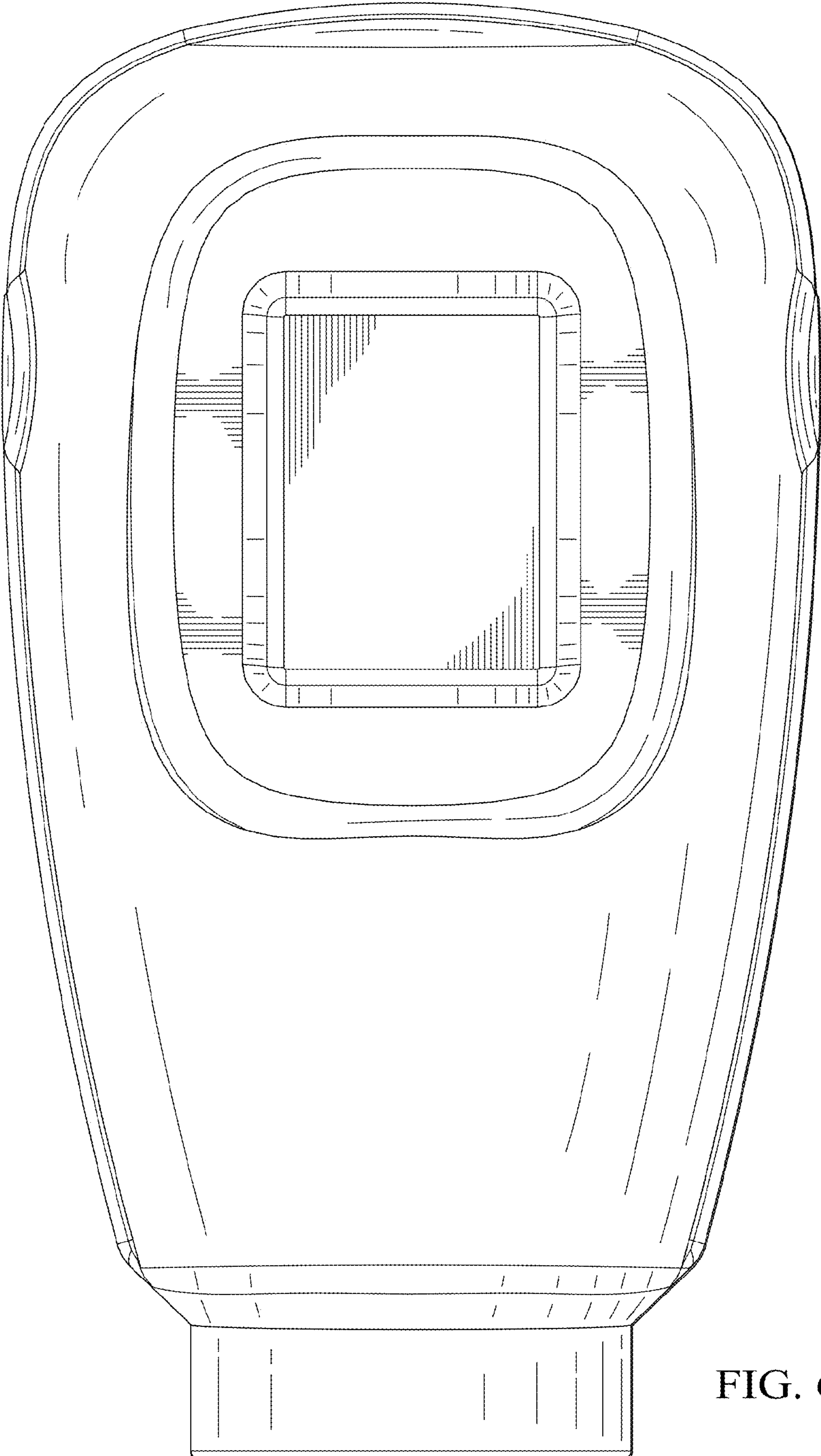


FIG. 6