



US00D892331S

(12) **United States Design Patent** (10) **Patent No.:** **US D892,331 S**
Hollis et al. (45) **Date of Patent:** **** Aug. 4, 2020**

(54) **OSTEOSYNTHESIS CLIP FEATURES**

(74) *Attorney, Agent, or Firm* — Maywood IP Law; G. Jo Hays; David W. Meibos

(71) Applicant: **CROSSROADS EXTREMITY SYSTEMS, LLC**, Memphis, TN (US)

(57) **CLAIM**

(72) Inventors: **Michael Chad Hollis**, Collierville, TN (US); **Vernon R. Hartdegen**, Collierville, TN (US)

The ornamental design for osteosynthesis clip features, as shown and described.

(73) Assignee: **CROSSROADS EXTREMITY SYSTEMS, LLC**, Memphis, TN (US)

DESCRIPTION

(**) Term: **15 Years**

(21) Appl. No.: **29/711,467**

(22) Filed: **Oct. 31, 2019**

Related U.S. Application Data

(63) Continuation of application No. 29/612,208, filed on Jul. 31, 2017, now Pat. No. Des. 870,284.

(51) **LOC (12) Cl.** **24-03**

(52) **U.S. Cl.**
USPC **D24/155**

(58) **Field of Classification Search**
USPC D24/155-157; D8/390

(Continued)

(56) **References Cited**

U.S. PATENT DOCUMENTS

2,133,859 A 10/1938 Hawley
2,811,073 A 10/1957 Klopstock

(Continued)

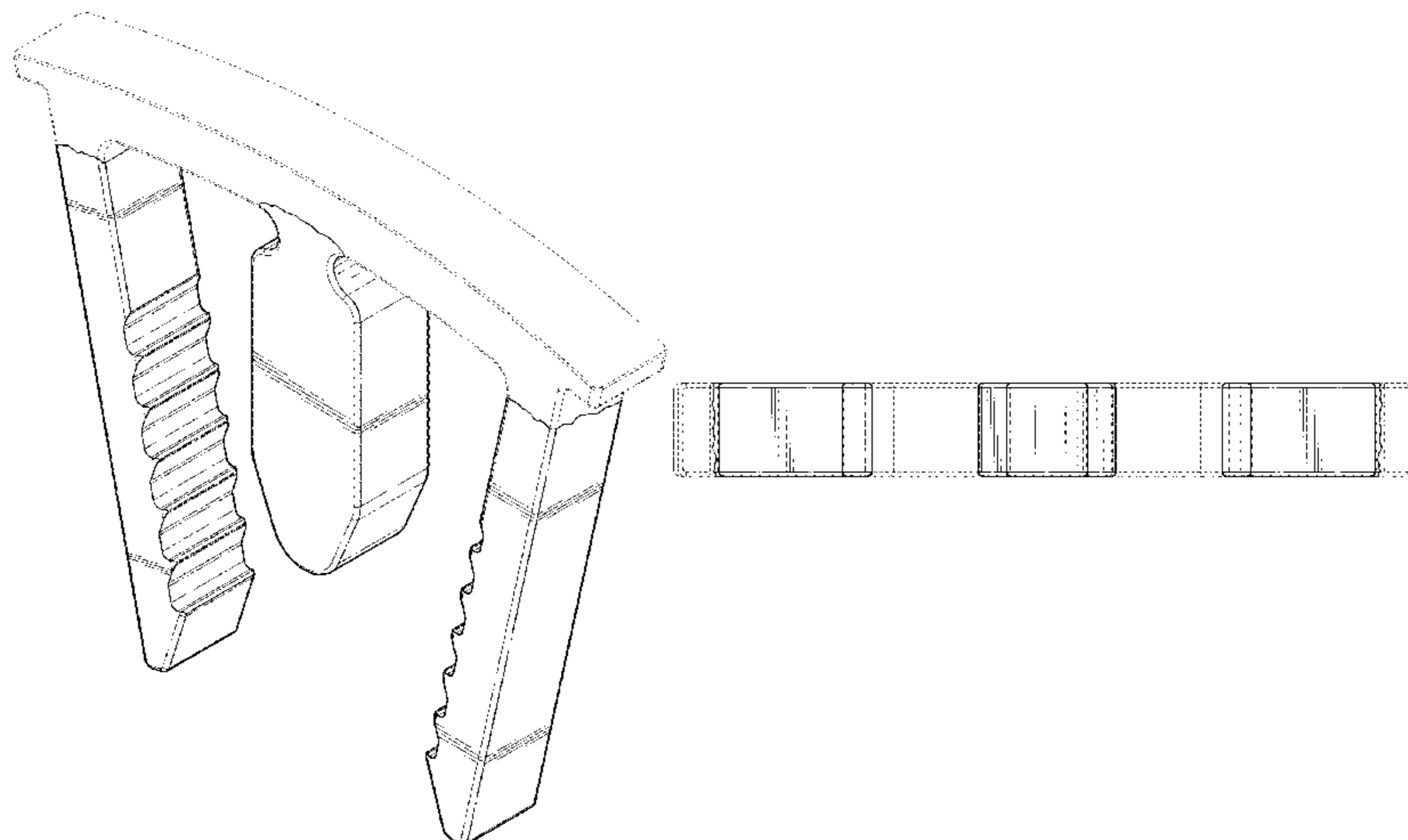
FOREIGN PATENT DOCUMENTS

DE 20001879 5/2000
DE 10116168 11/2001

(Continued)

Primary Examiner — Charles D Hanson

(Continued)



In the drawings, the broken lines depict environmental subject matter only and form no part of the claimed design.

1 Claim, 12 Drawing Sheets

(58) Field of Classification Search

CPC A61B 17/0642; A61B 17/0682; A61B 17/0644; F16B 15/06

See application file for complete search history.

(56)

References Cited

U.S. PATENT DOCUMENTS

3,636,954	A	1/1972	Weston	
3,939,828	A *	2/1976	Mohr	A61B 17/68 606/916
4,014,244	A	3/1977	Larson	
4,434,796	A	3/1984	Karapetian	
D281,814	S	12/1985	Pratt	
4,719,917	A	1/1988	Barrows	
5,015,135	A	5/1991	Chamings	
5,425,489	A	6/1995	Shichman	
5,785,713	A	7/1998	Jobe	
6,626,916	B1	9/2003	Yeung	
D484,032	S *	12/2003	Del Re	D8/390
7,240,677	B2	7/2007	Fox	
7,398,907	B2	7/2008	Racenet	
D586,915	S *	2/2009	Grim	D24/145
D625,417	S	10/2010	Fox	
8,137,351	B2	3/2012	Prandi	
8,337,537	B2	12/2012	Pelo	
8,540,778	B2	9/2013	Rhodes	
8,657,820	B2	2/2014	Kubiak	
D707,357	S *	6/2014	Cheney	D24/145
8,870,882	B2	10/2014	Kleiner	
8,951,254	B2	2/2015	Mayer	
9,017,331	B2	4/2015	Fox	
9,095,338	B2	8/2015	Taylor	
9,101,349	B2	8/2015	Knight	
9,107,661	B2	8/2015	Euteneuer	
9,180,022	B2	11/2015	Georges	
9,271,726	B2	3/2016	Euteneuer	
9,295,463	B2	3/2016	Viola	
9,402,624	B1 *	8/2016	Scott	A61B 17/0642
D780,311	S *	2/2017	Cheney	D24/155
9,615,856	B2	4/2017	Arnett	
9,855,036	B2	1/2018	Palmer	

9,901,338	B2 *	2/2018	Anderson	A61B 17/0644
9,955,964	B2	5/2018	Mayer	
10,016,198	B2	7/2018	Morgan	
10,166,022	B2	1/2019	Early	
D865,178	S *	10/2019	Sammarco	D24/155
10,456,130	B2 *	10/2019	Cheney	A61B 17/0684
D870,284	S *	12/2019	Hollis	D24/155
10,492,841	B2	12/2019	Hartdegen	
2002/0019636	A1 *	2/2002	Ogilvie	A61F 2/4455 606/75
2003/0158553	A1	8/2003	Michelson	
2005/0021035	A1	1/2005	Groiso	
2006/0058802	A1	3/2006	Kofoed	
2008/0015598	A1	1/2008	Prommersberger	
2009/0254090	A1	10/2009	Lizee	
2010/0069928	A1	3/2010	Bauer	
2010/0082065	A1	4/2010	Butler	
2010/0133316	A1	6/2010	Lizee	
2011/0022099	A1	1/2011	Ashman	
2011/0118796	A1	5/2011	Reiley	
2011/0118840	A1	5/2011	Huntsman	
2012/0228355	A1	9/2012	Combrowski	
2013/0068815	A1	3/2013	Bruewer	
2013/0231667	A1 *	9/2013	Taylor	A61B 17/8085 606/75
2013/0267956	A1	10/2013	Terrill	
2013/0345752	A1	12/2013	Hendren	
2014/0018809	A1 *	1/2014	Allen	A61B 17/0642 606/75
2015/0313592	A1	11/2015	Coillard-Lavirotte	
2015/0359534	A1	12/2015	Gibbons, Jr.	
2016/0100835	A1	4/2016	Linder	
2016/0354117	A1	12/2016	Nakaji	
2017/0000533	A1	1/2017	Fallin	
2017/0007305	A1	1/2017	Hollis	
2017/0202552	A1	7/2017	Coleman	
2017/0354509	A1	12/2017	Finley	
2019/0046183	A1	2/2019	Hartdegen	
2019/0133777	A1	5/2019	Müller	

FOREIGN PATENT DOCUMENTS

EP	826340	3/1998
WO	WO1992017122	10/1992
WO	WO2008129061	10/2008
WO	WO2010004602	1/2010
WO	WO2012088575	7/2012
WO	WO2013186205	12/2013

* cited by examiner

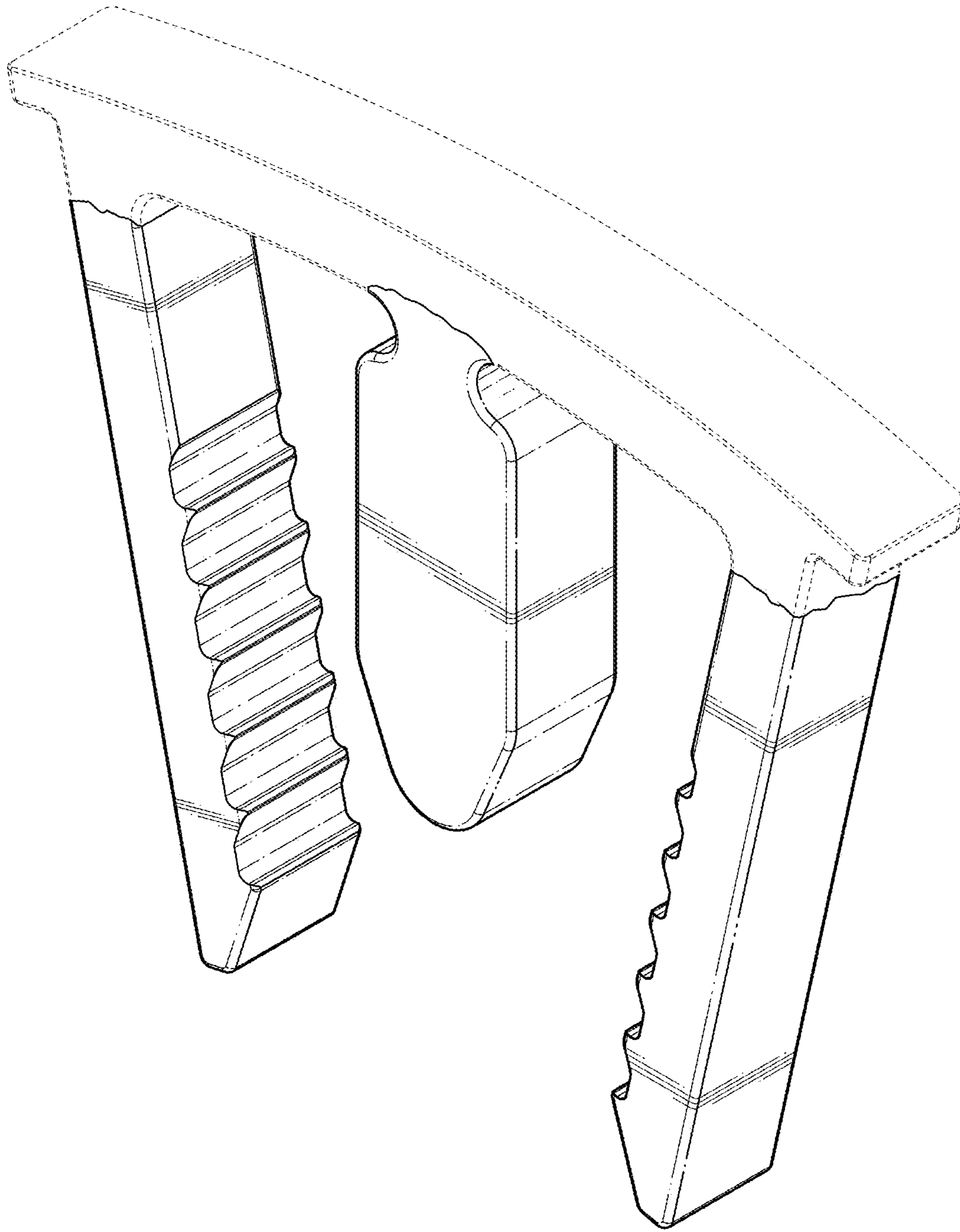


FIG. 1

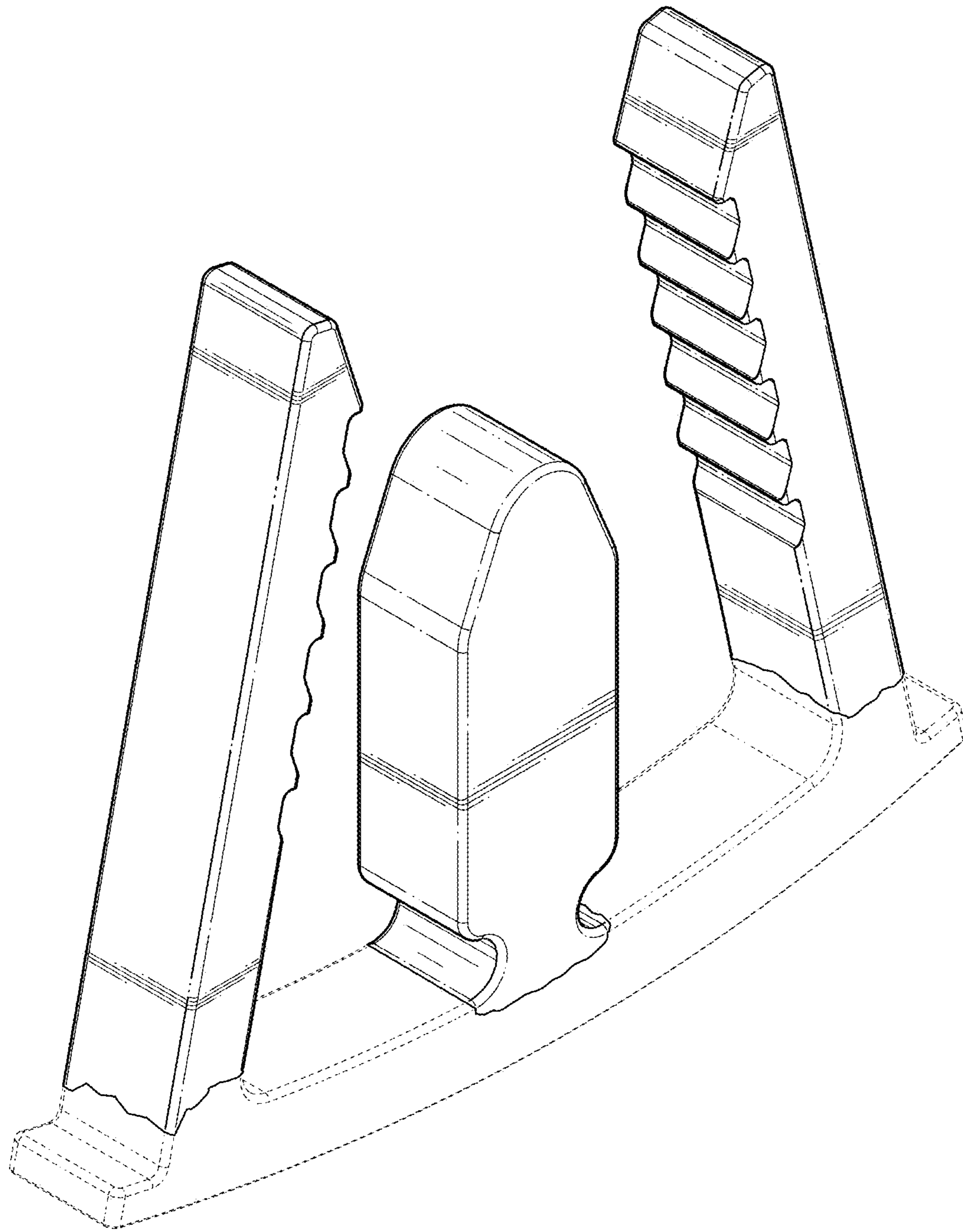


FIG. 2

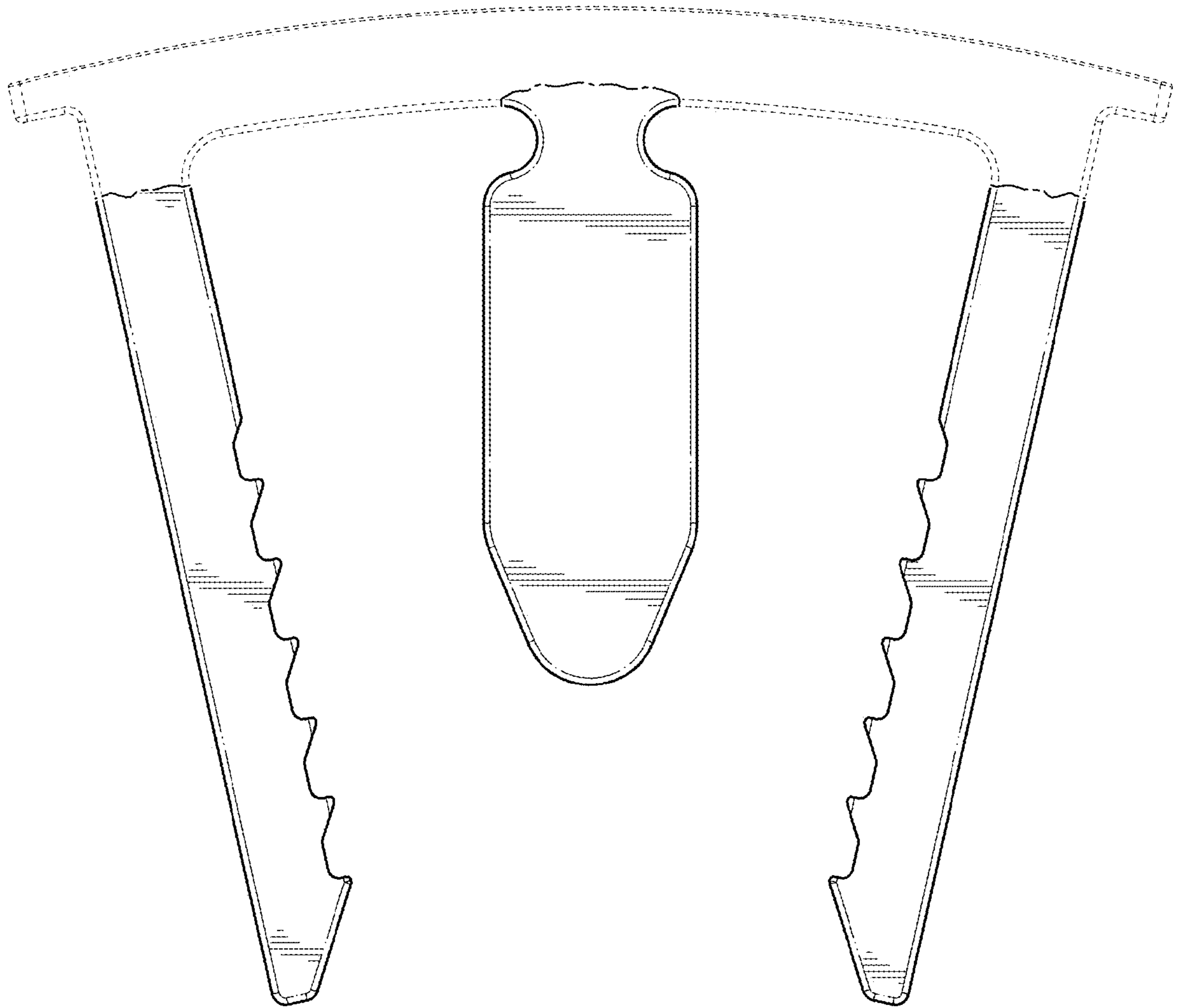


FIG. 3

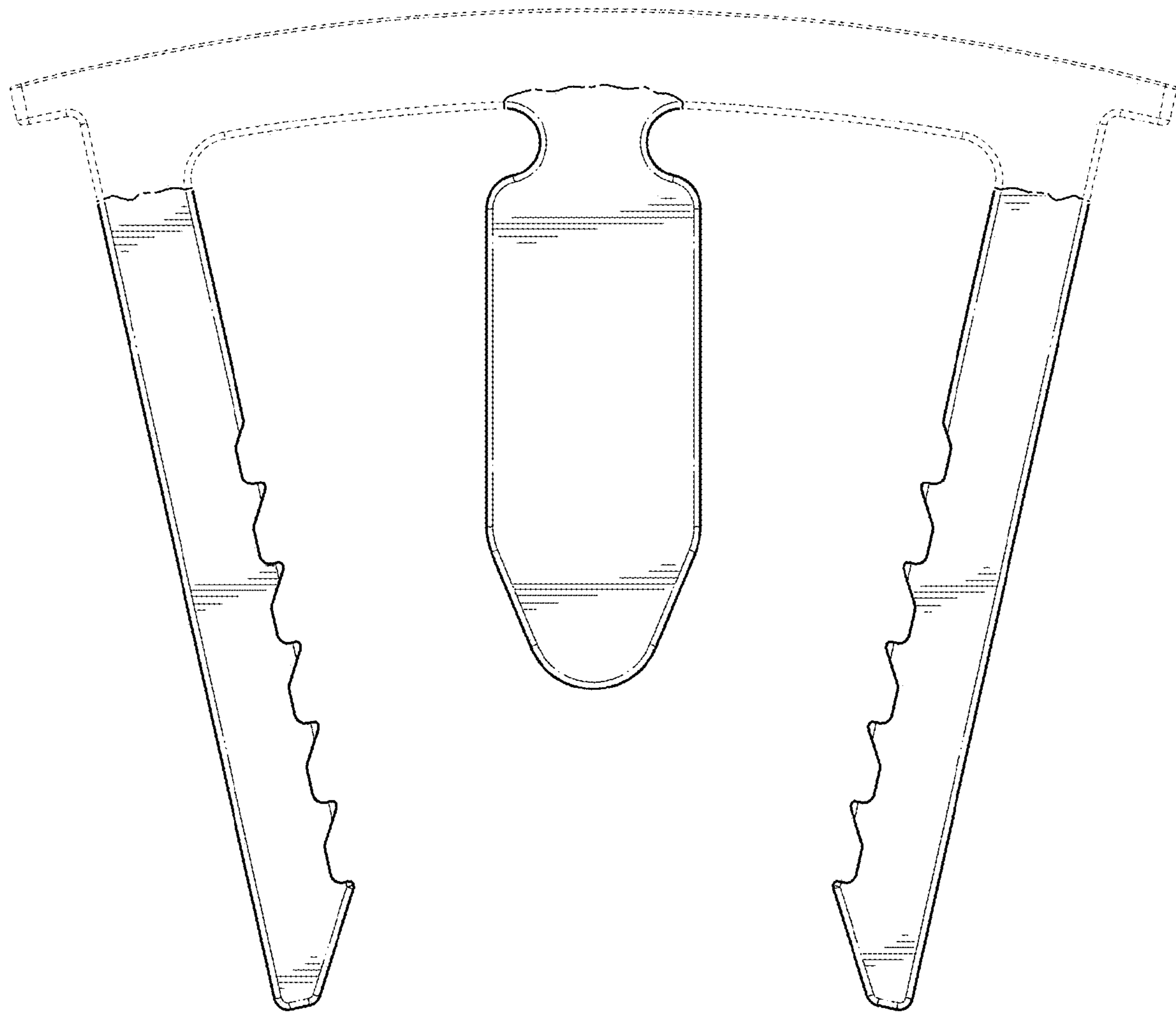


FIG. 4

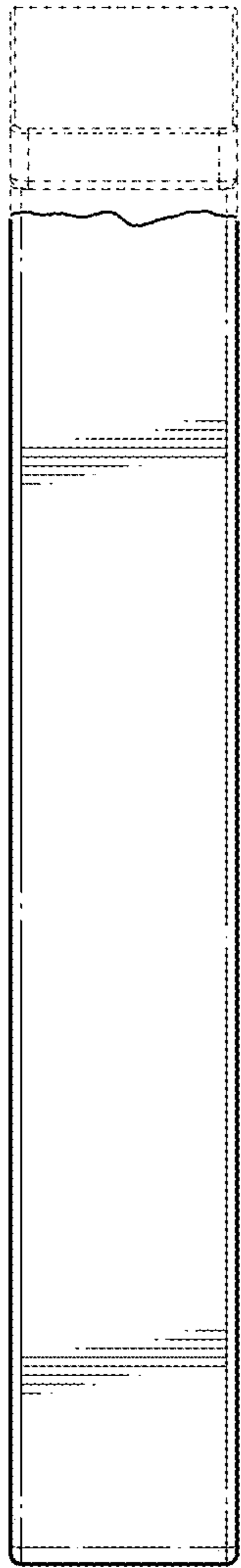


FIG. 5

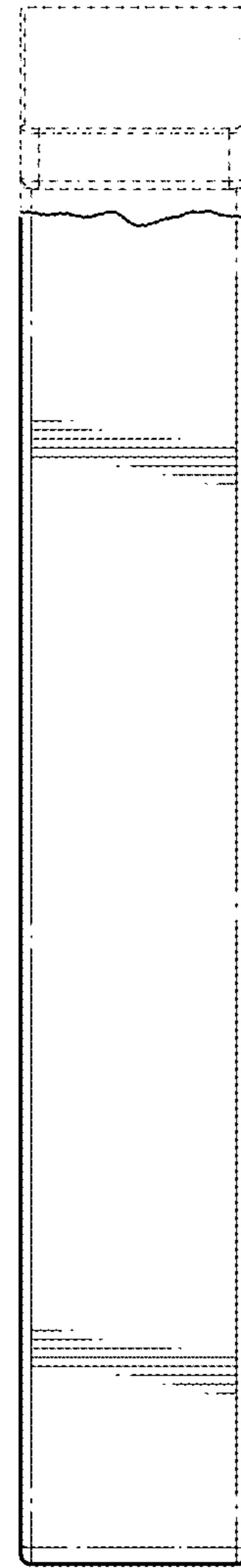


FIG. 6



FIG. 7

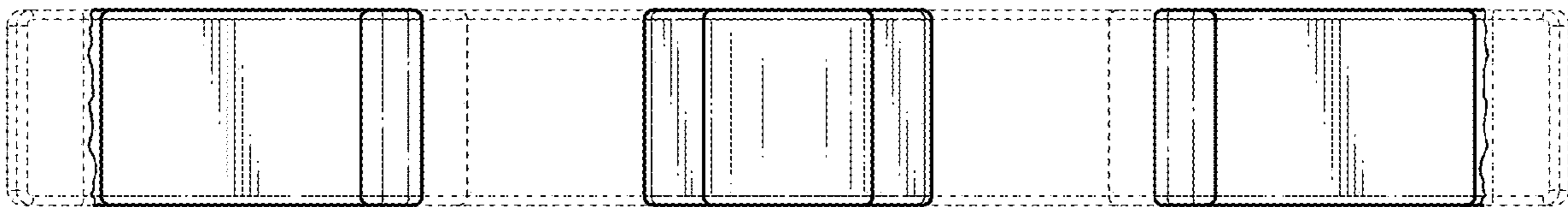


FIG. 8

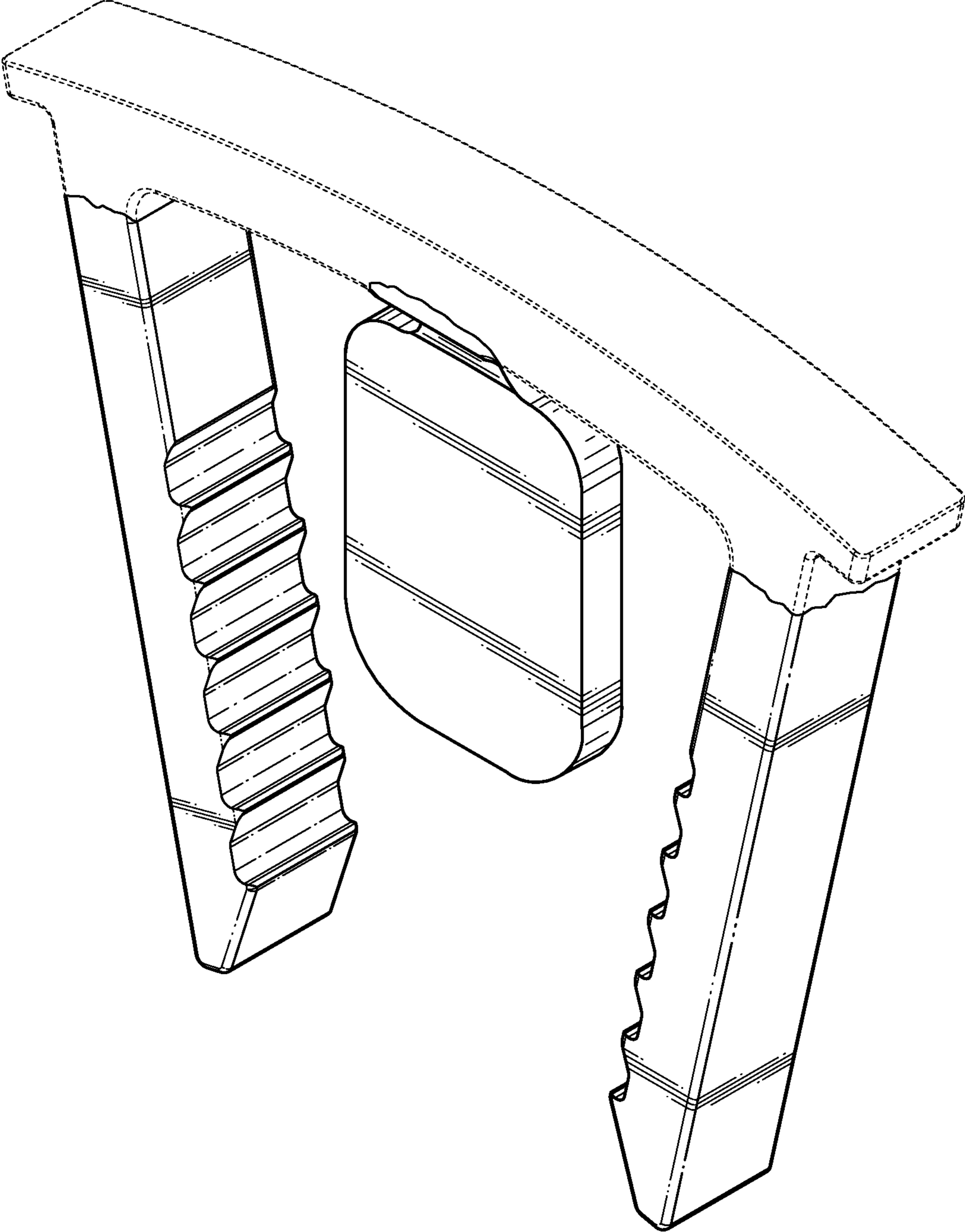


FIG. 9

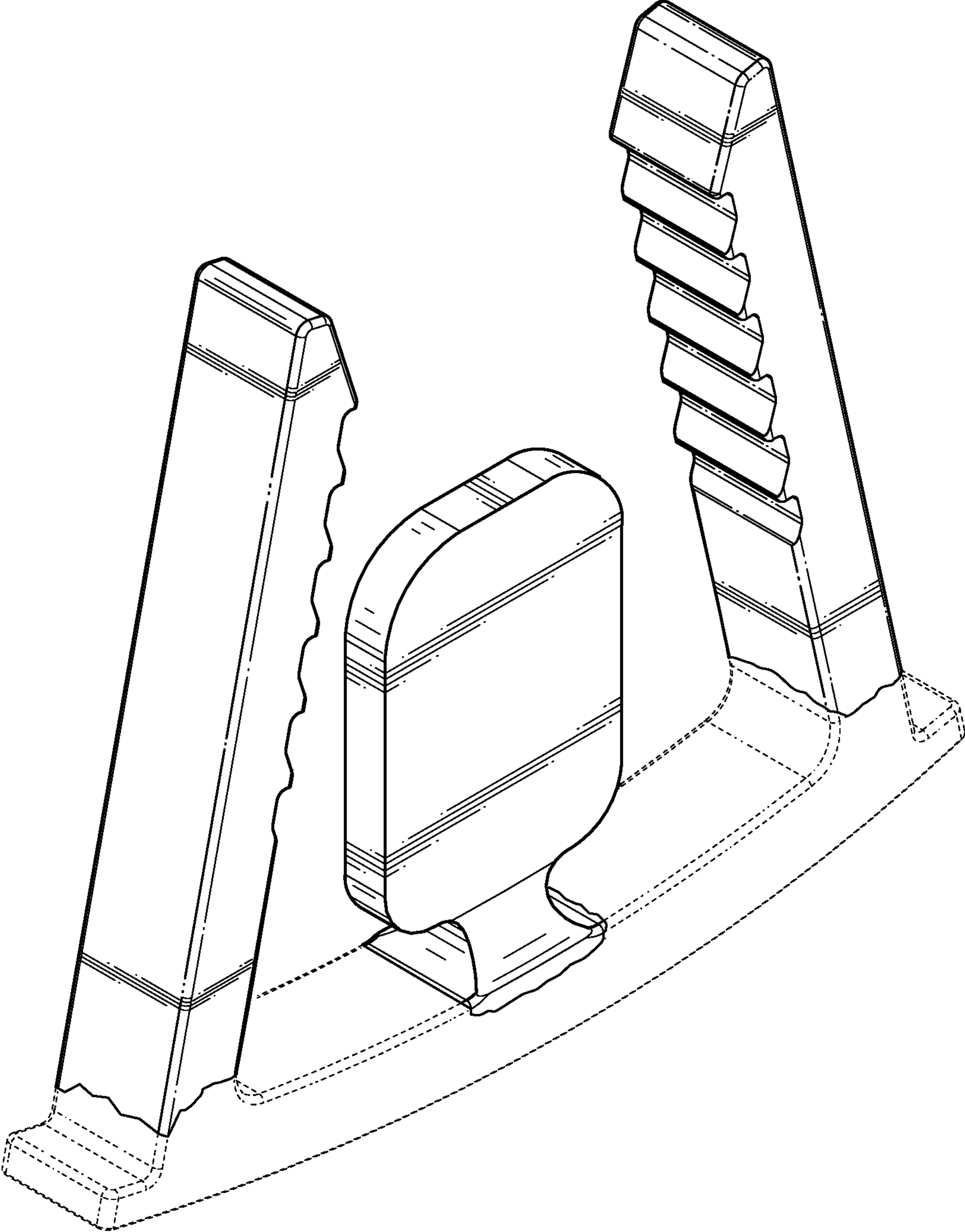


FIG. 10

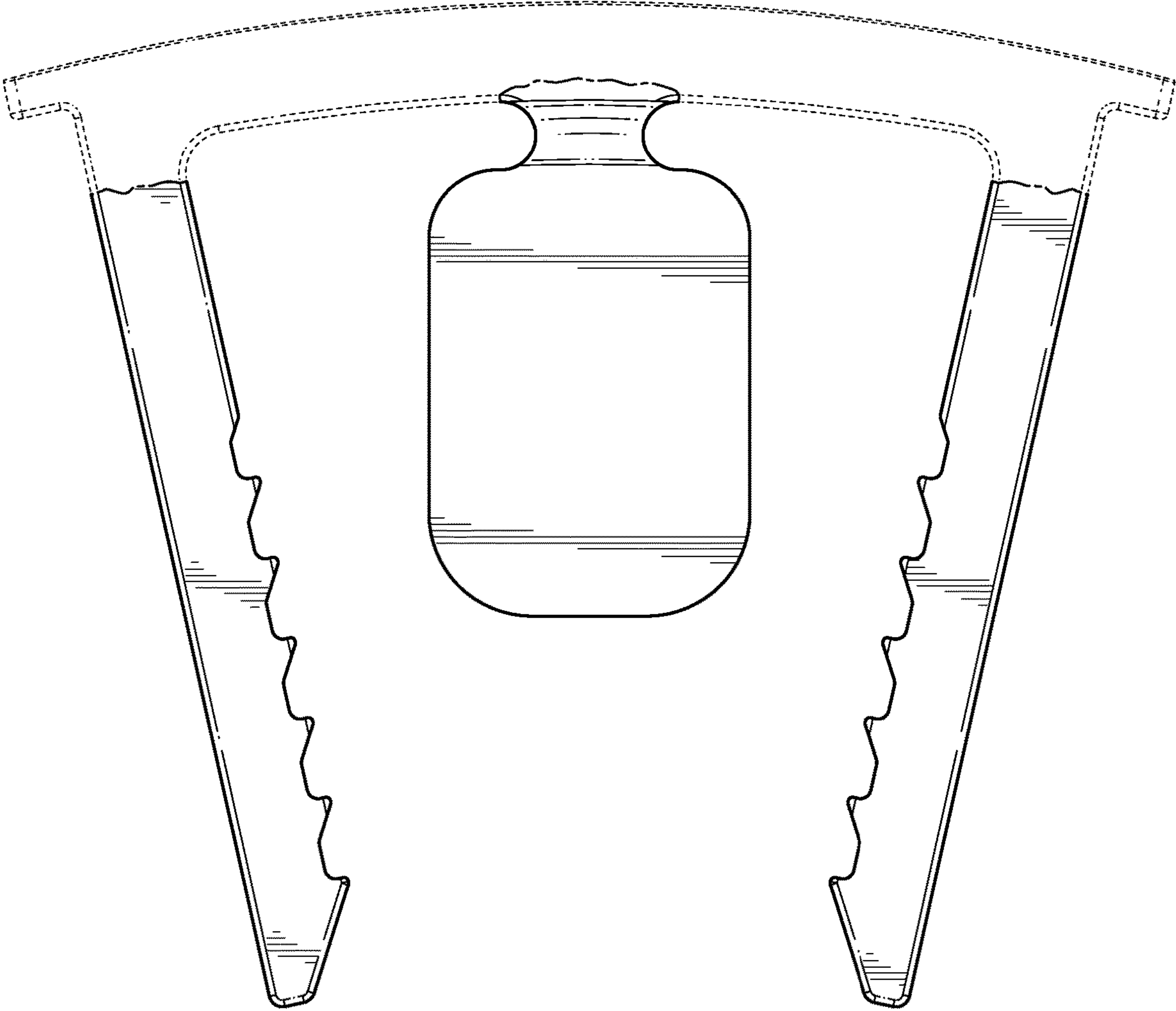


FIG. 11

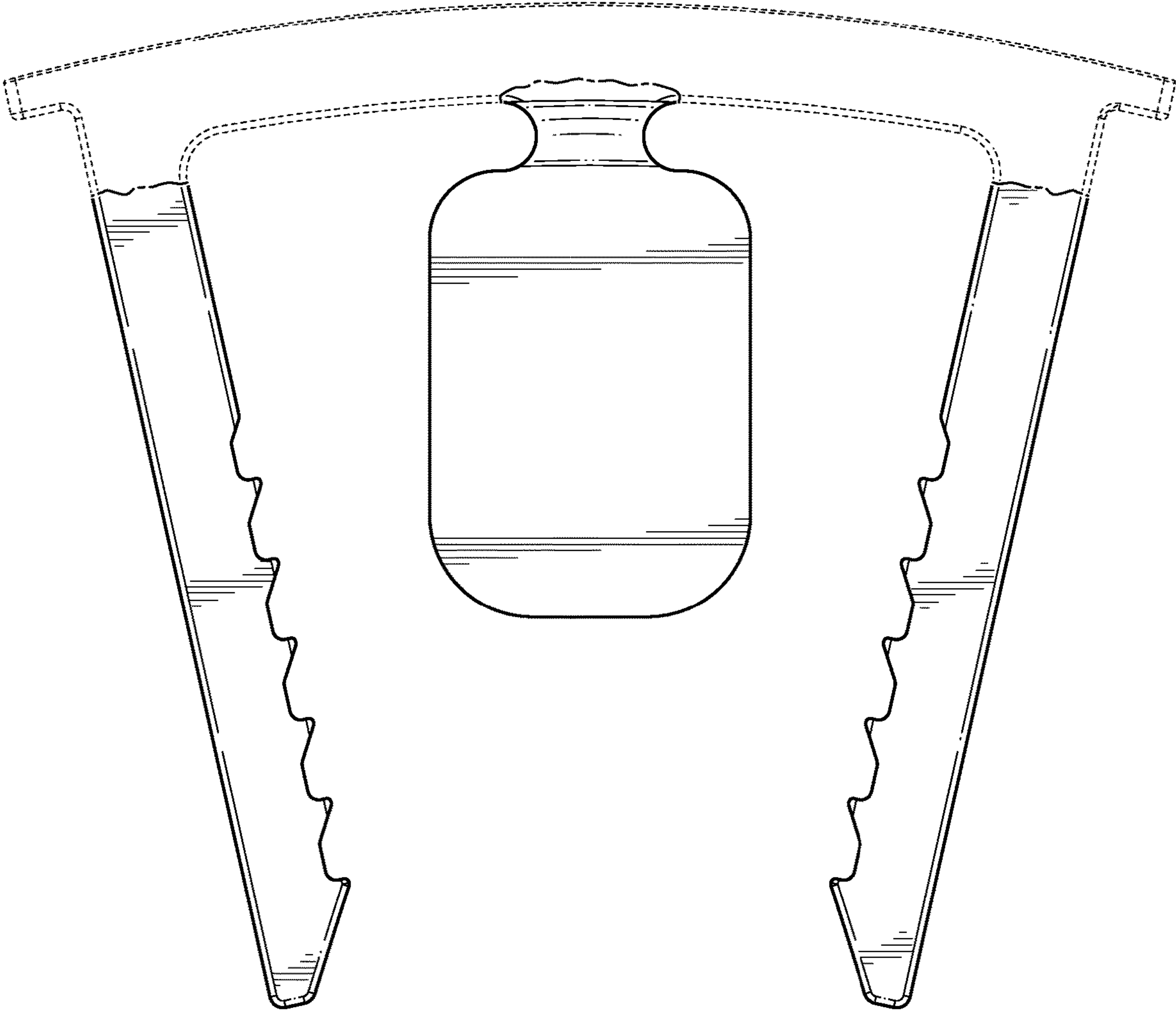


FIG. 12

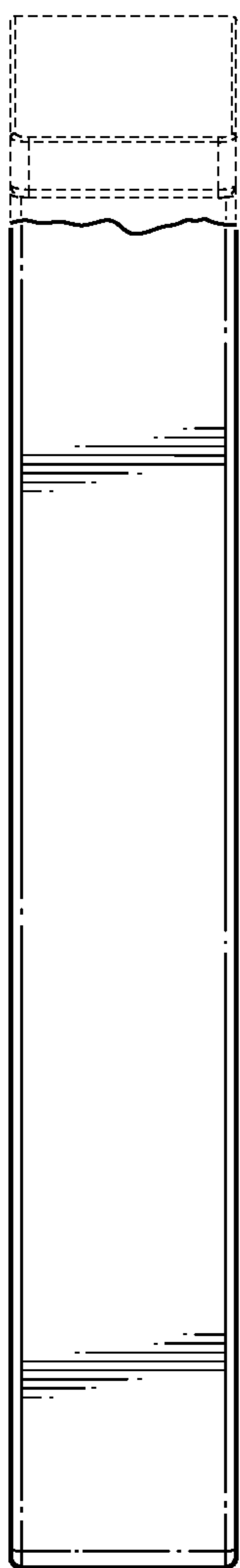


FIG. 13

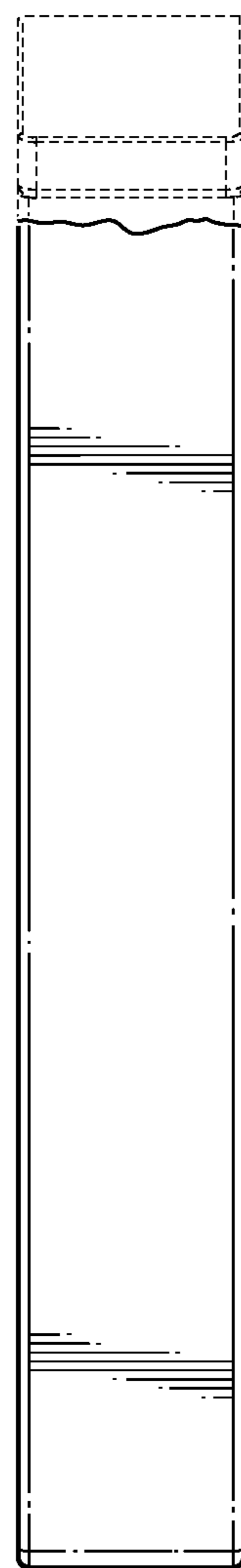


FIG. 14



FIG. 15

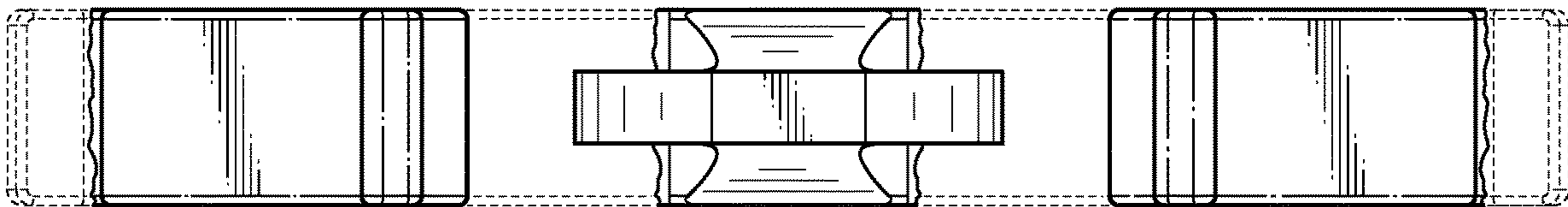


FIG. 16