



US00D892327S

(12) **United States Design Patent**
Jacob

(10) **Patent No.:** **US D892,327 S**

(45) **Date of Patent:** **** Aug. 4, 2020**

(54) **CURING ELEMENT FOR A HAND-HELD
DENTAL CURING TOOL**

(71) Applicant: **Gregory S Jacob**, Des Plaines, IL (US)

(72) Inventor: **Gregory S Jacob**, Des Plaines, IL (US)

(73) Assignee: **Gregory S. Jacob**, Glenview, IL (US)

(**) Term: **15 Years**

(21) Appl. No.: **29/667,154**

(22) Filed: **Oct. 18, 2018**

(51) **LOC (12) Cl.** **24-02**

(52) **U.S. Cl.**
USPC **D24/152**

(58) **Field of Classification Search**
USPC D24/133, 146, 147, 152, 155, 156, 176,
D24/221; D8/14, 47, 98; D15/132;
433/142, 143, 144, 215
CPC A61C 3/00; A61C 3/03; A61C 3/04; A61C
3/06; A61C 17/00; A61C 17/16; A61C
17/18; A61C 17/22
See application file for complete search history.

(56) **References Cited**

U.S. PATENT DOCUMENTS

D277,784 S * 2/1985 Sgarlato D24/155
D284,099 S * 6/1986 Laporta D24/155

D330,508 S * 10/1992 Berger D24/156
D630,747 S * 1/2011 Shinohara D24/137
D788,927 S * 6/2017 Yao D24/176
D813,392 S * 3/2018 Wang D24/152
D827,137 S * 8/2018 Miller A61B 46/10
D24/152

* cited by examiner

Primary Examiner — Wan Laymon

Assistant Examiner — Clint A Samuel

(74) *Attorney, Agent, or Firm* — Charles C. Kinne

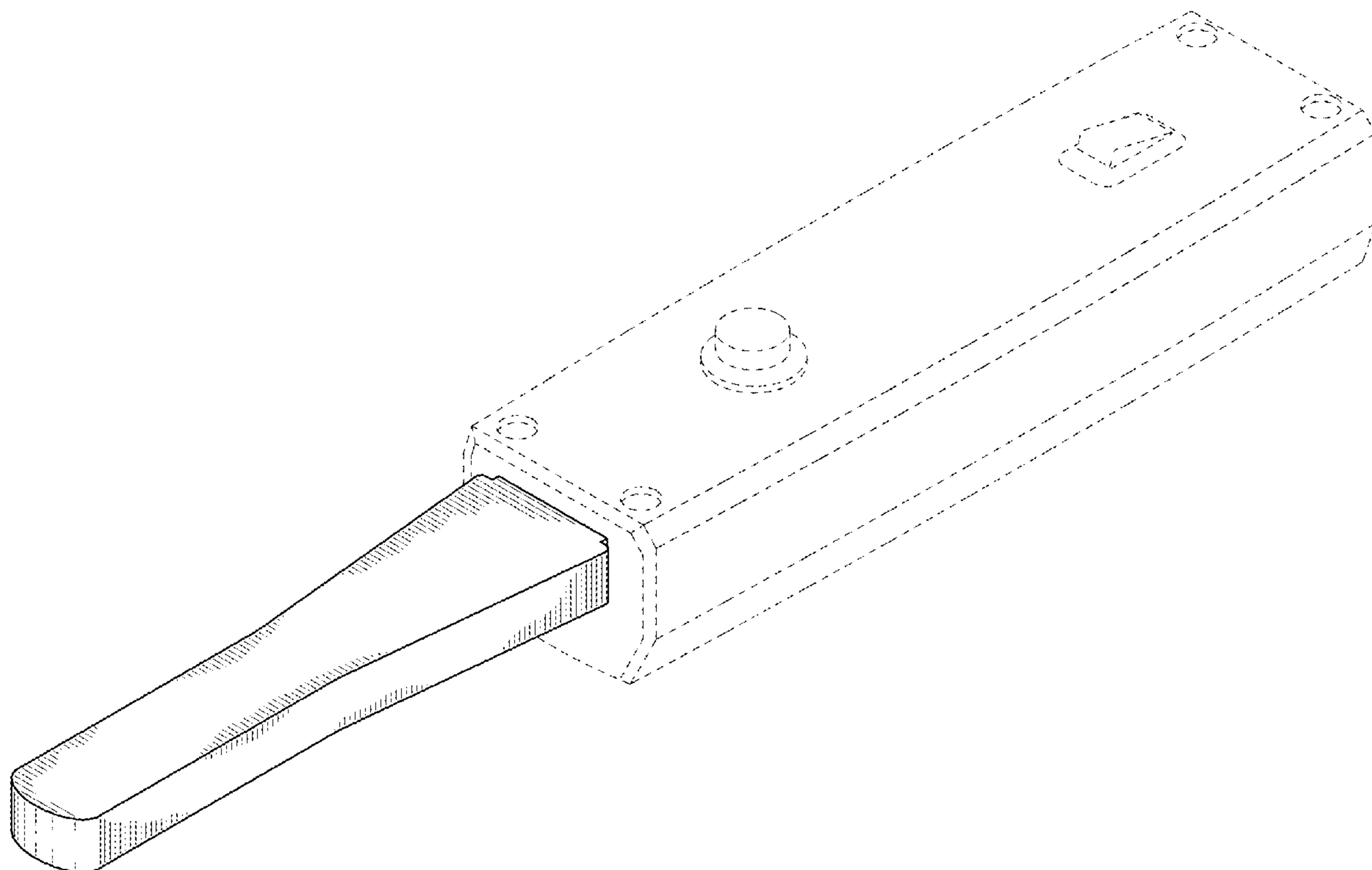
(57) **CLAIM**

The ornamental design for a curing element for a hand-held dental curing tool, as shown and described.

DESCRIPTION

FIG. 1 is a top perspective view of a curing element for a hand-held dental curing tool of the present invention; FIG. 2 is a side view thereof; FIG. 3 is a top view thereof; FIG. 4 is a bottom view thereof; FIG. 5 is a front view thereof; and, FIG. 6 is a rear view thereof. The broken lines are included for the purpose of illustrating an environment of the design only and form no part of the claimed design.

1 Claim, 5 Drawing Sheets



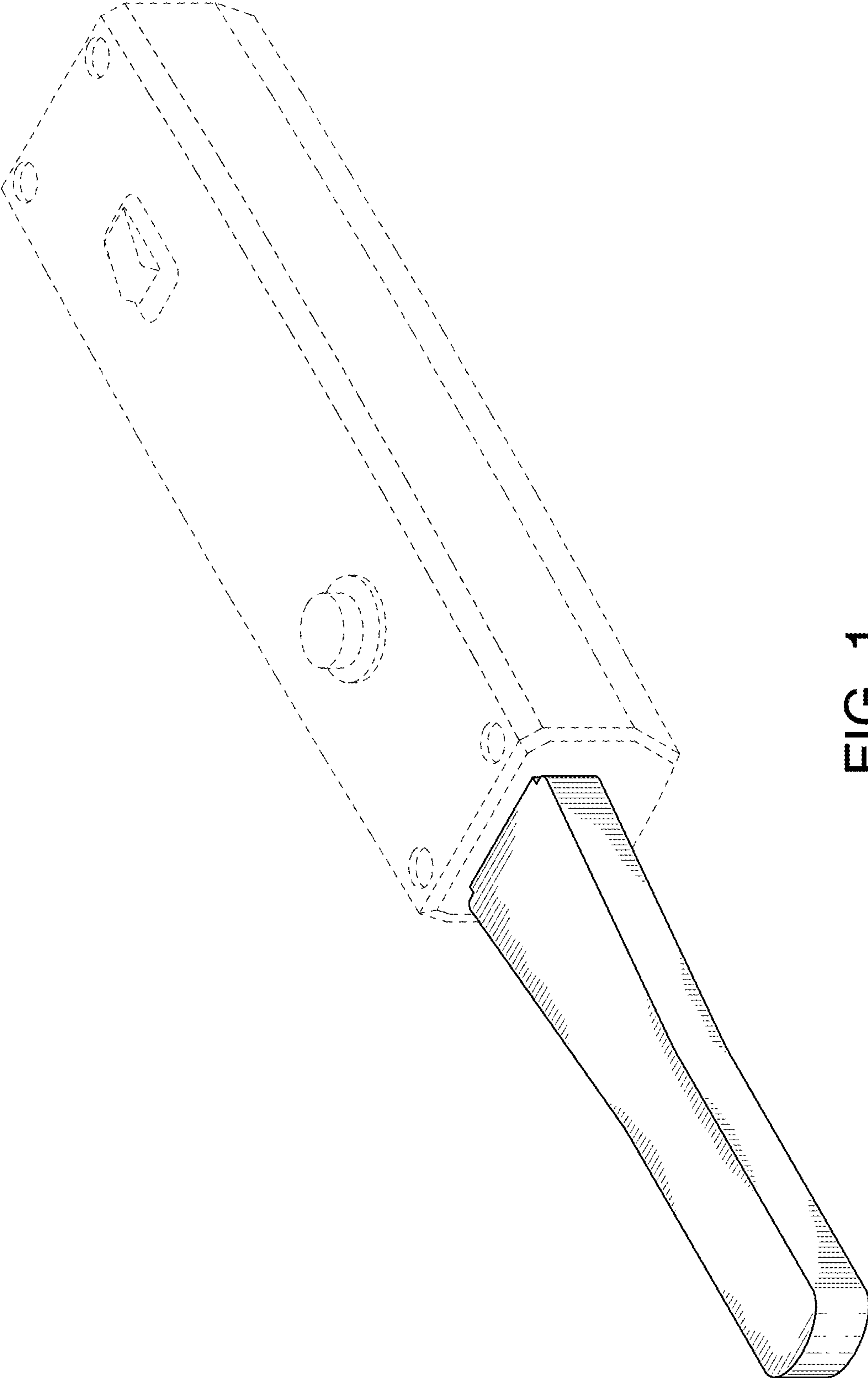


FIG. 1

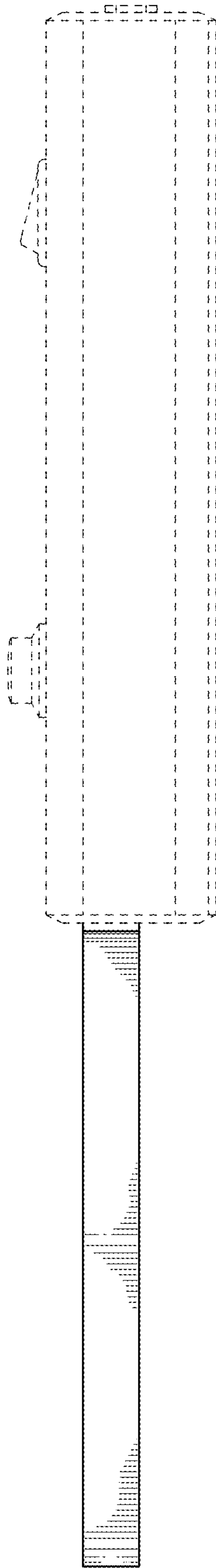


FIG. 2

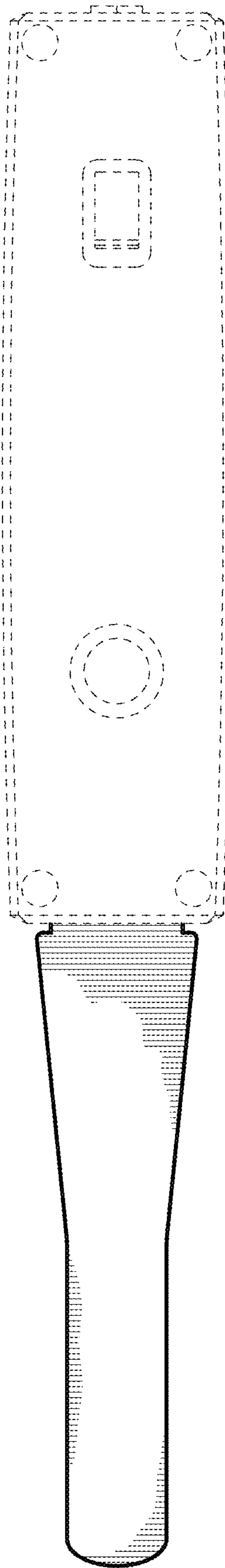


FIG. 3

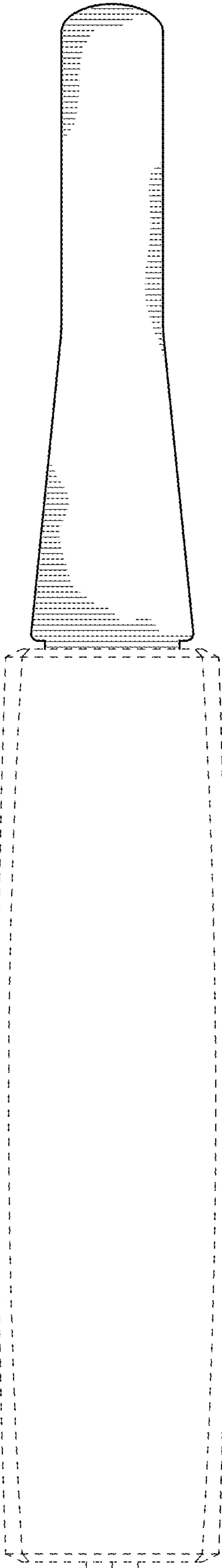


FIG. 4

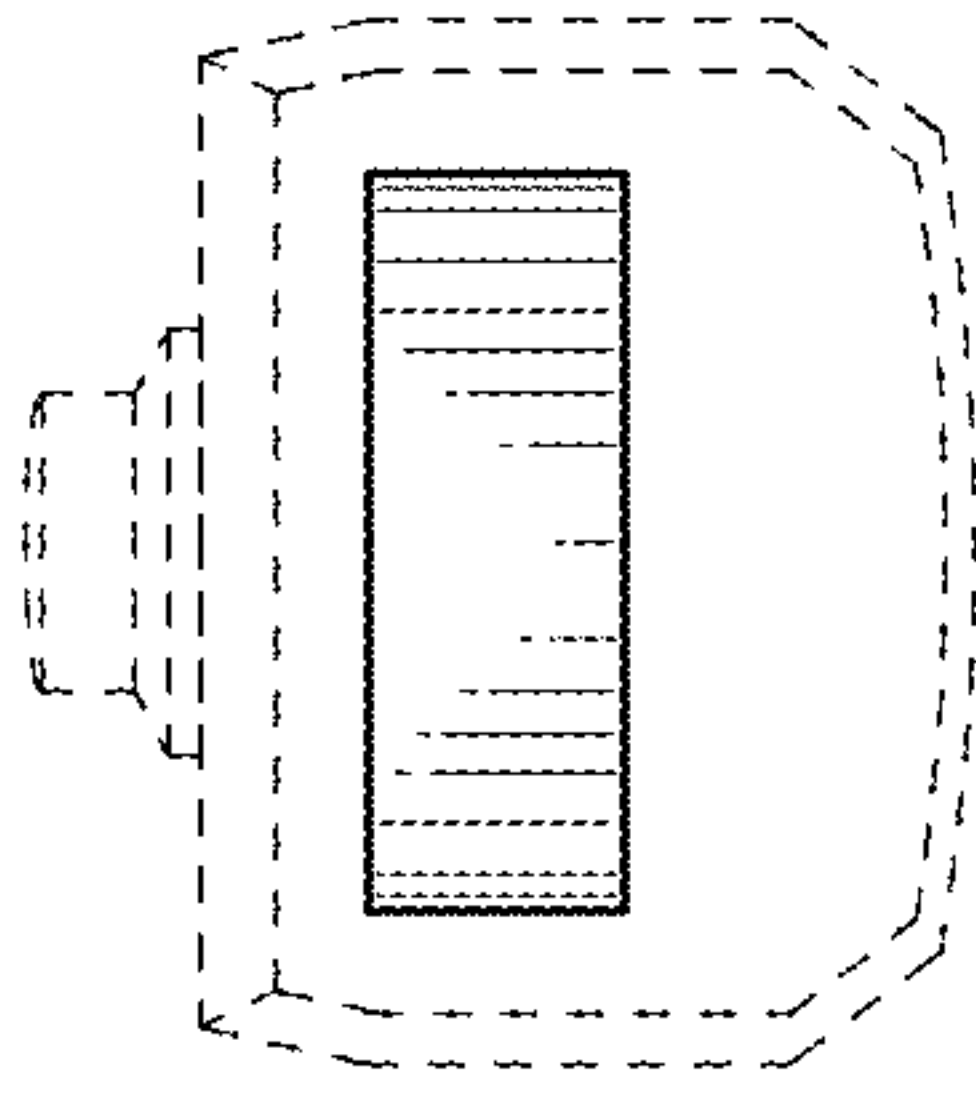


FIG. 5

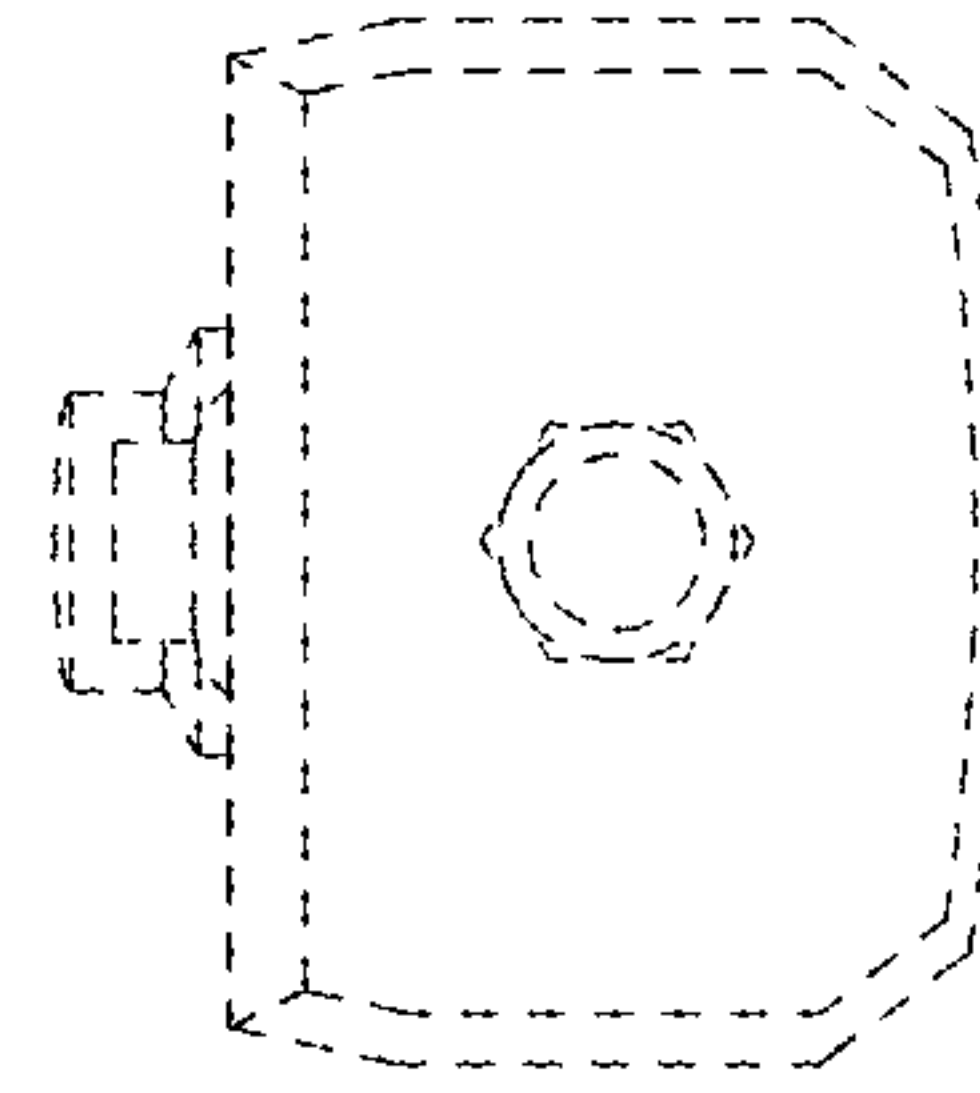


FIG. 6