



US00D892326S

(12) **United States Design Patent**
Qun

(10) **Patent No.:** **US D892,326 S**

(45) **Date of Patent:** **** Aug. 4, 2020**

(54) **ULTRASONIC CUTTER HEAD**

(71) Applicant: **BEIJING SMTP TECHNOLOGY CO., LTD.**, Beijing (CN)

(72) Inventor: **Cao Qun**, Beijing (CN)

(73) Assignee: **BEIJING SMTP TECHNOLOGY CO., LTD.**, Beijing (CN)

(**) Term: **15 Years**

(21) Appl. No.: **29/635,571**

(22) Filed: **Jan. 31, 2018**

(51) **LOC (12) Cl.** **24-02**

(52) **U.S. Cl.**
USPC **D24/146**

(58) **Field of Classification Search**
USPC D24/108, 133, 150, 152, 155, 176, 210, D24/231, 216, 232, 185, 186, 104, D24/112-114, 117-119, 127, 141, 144, D24/146, 147, 148, 188, 207, 200, 209, D24/215, 171; D15/21, 22, 23, 24, 25, D15/26, 27, 28, 29, 138, 139, 140; D8/70, 95, 96, 98; D25/126; D28/7, 9, D28/20

CPC B23B 51/02; B23B 51/08; B23B 51/10; B23B 51/00; B23B 2251/50; B23B 2251/18; B23B 2251/46; B23B 2222/28; B23B 2240/08; Y10S 408/713; Y10T 407/26; Y10T 408/9097; Y10T 408/899; Y10T 408/90; A61C 3/02; A61C 8/0089; A61C 1/07; A61B 17/3213; A61B 17/3417; A61B 17/14; A61B 17/142; A61B 17/320016; A61B 17/32002; A61B 17/3211; A61B 2017/00473; A61B 2017/320032; A61B 2017/32113; A61B 2017/32116; A61B 2017/3454; A61B 2018/1412; A61B 90/30; A61B 17/144; A61B 17/1615; A61B 17/162; A61B 17/1624; A61B 17/1633; A61B 17/1637;

A61B 17/1659; A61B 17/16; A61B 17/1604; A61B 2017/00261; A61B 2017/320075; A61B 2017/32007; A61B 2017/320077; A61B 17/1642; A61B 17/1671; A61B 2217/007; B23D 77/02; B23D 61/006; B23D 61/121; B23P 15/32; B27B 19/006

See application file for complete search history.

(56) **References Cited**

U.S. PATENT DOCUMENTS

5,312,208 A * 5/1994 Shiga B23B 51/00 408/224
D616,094 S * 5/2010 Boone, III D24/133
D687,873 S * 8/2013 Kim D15/139
D799,574 S * 10/2017 Fothergill D15/139

(Continued)

Primary Examiner — Samantha Q Lawrence

(74) *Attorney, Agent, or Firm* — Maschoff Brennan

(57) **CLAIM**

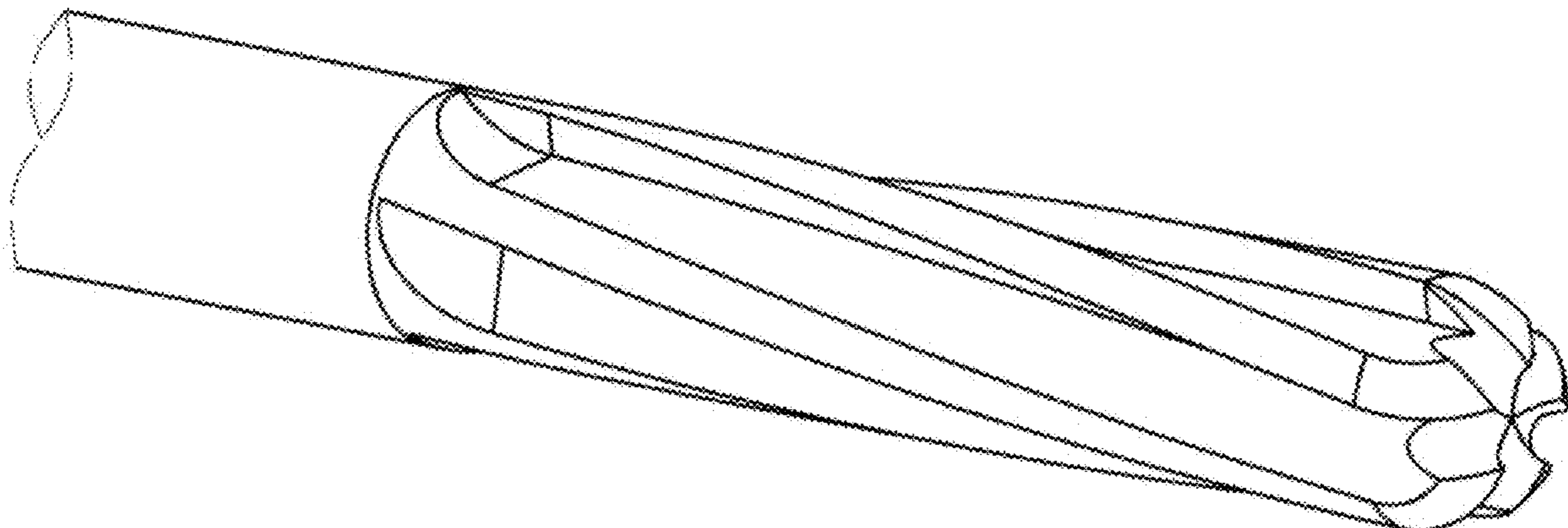
The ornamental design for an ultrasonic cutter head, as shown and described.

DESCRIPTION

FIG. 1 is a top, front, and left side perspective view of an ultrasonic cutter head, showing our new design; FIG. 2 is a top plan view thereof; FIG. 3 is a left side view thereof; FIG. 4 is a right side view thereof; FIG. 5 is a bottom plan view thereof; FIG. 6 is a front elevational view thereof; FIG. 7 is a rear elevational view thereof; and, FIG. 8 is a full view thereof.

The broken lines shown in FIGS. 1-5 and FIGS. 7 and 8 atop the cylinder illustrate boundaries of the ultrasonic cutter head. The additional broken lines shown in FIG. 8 illustrate environment and form no part of the claimed design.

1 Claim, 3 Drawing Sheets



(56)

References Cited

U.S. PATENT DOCUMENTS

D864,352	S *	10/2019	Jones	D23/233
D878,437	S *	3/2020	Bono	D15/139
D878,438	S *	3/2020	Bono	D15/139
2013/0025942	A1 *	1/2013	Bauer	B23B 51/02
					175/57
2013/0224683	A1 *	8/2013	Zacharia	A61C 3/02
					433/165
2016/0074944	A1 *	3/2016	Koga	B23B 51/02
					408/1 R
2017/0216945	A1 *	8/2017	Kopton	B23D 77/00
2017/0326652	A1 *	11/2017	Koga	B23B 51/02
2018/0228577	A1 *	8/2018	Zacharia	A61C 1/084
2018/0250755	A1 *	9/2018	George	B23B 51/02
2018/0250756	A1 *	9/2018	Koga	B23B 51/02
2018/0318939	A1 *	11/2018	Harada	B23B 51/00
2018/0369925	A1 *	12/2018	Novovic	B23B 27/141
2019/0209184	A1 *	7/2019	Sun	A61B 17/16
2019/0234150	A1 *	8/2019	Miebach	B23B 51/02
2019/0270144	A1 *	9/2019	Hatano	B23B 51/02
2019/0291189	A1 *	9/2019	Onchi	B23B 51/02

* cited by examiner

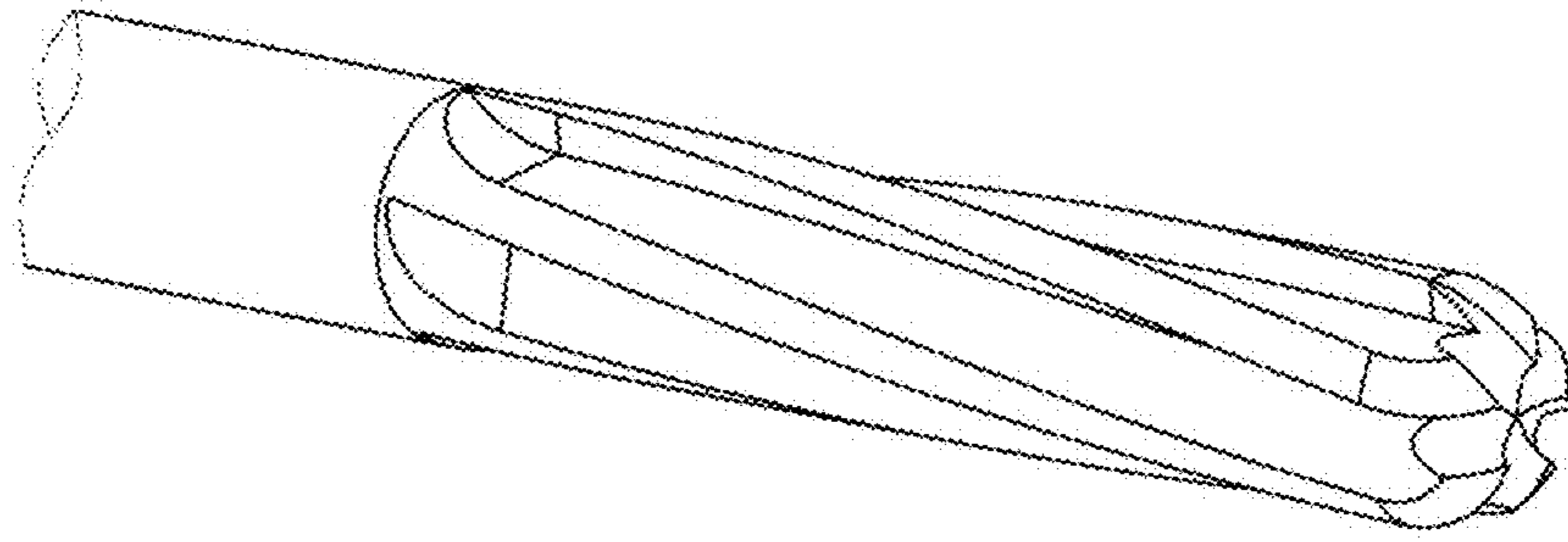


Fig.1

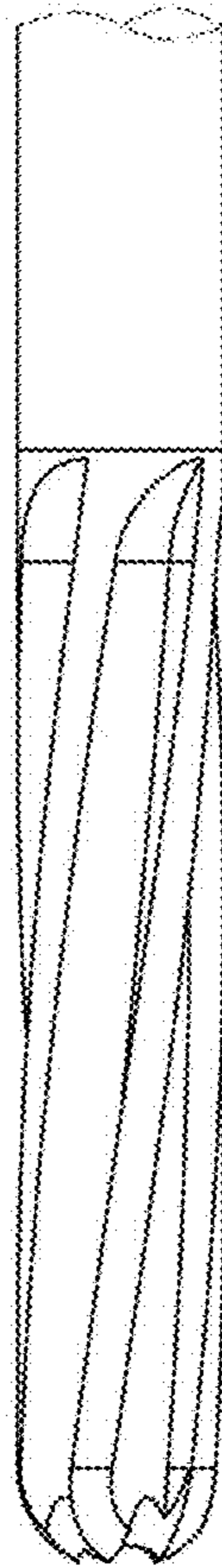


Fig.2

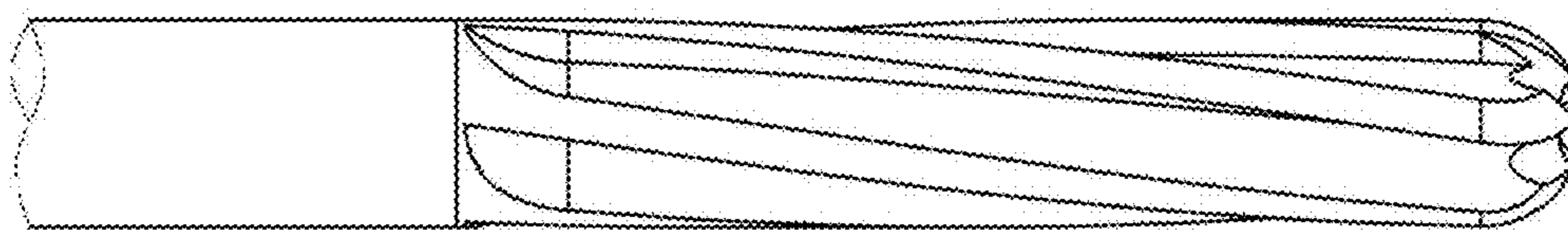


Fig.3

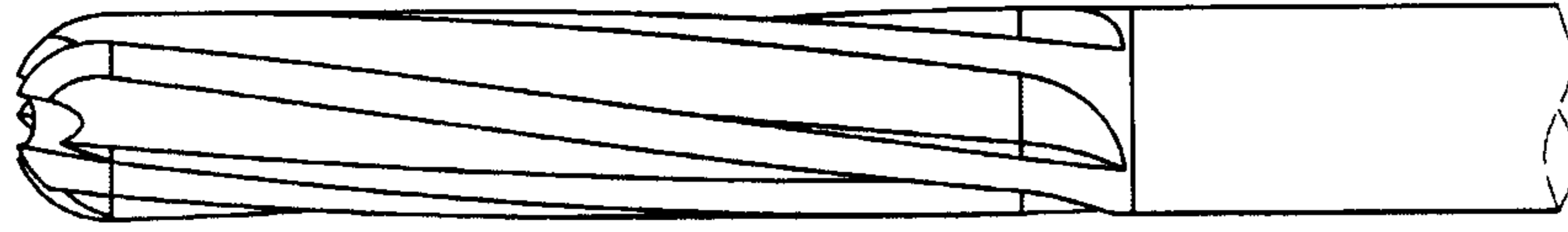


Fig.4



Fig.5

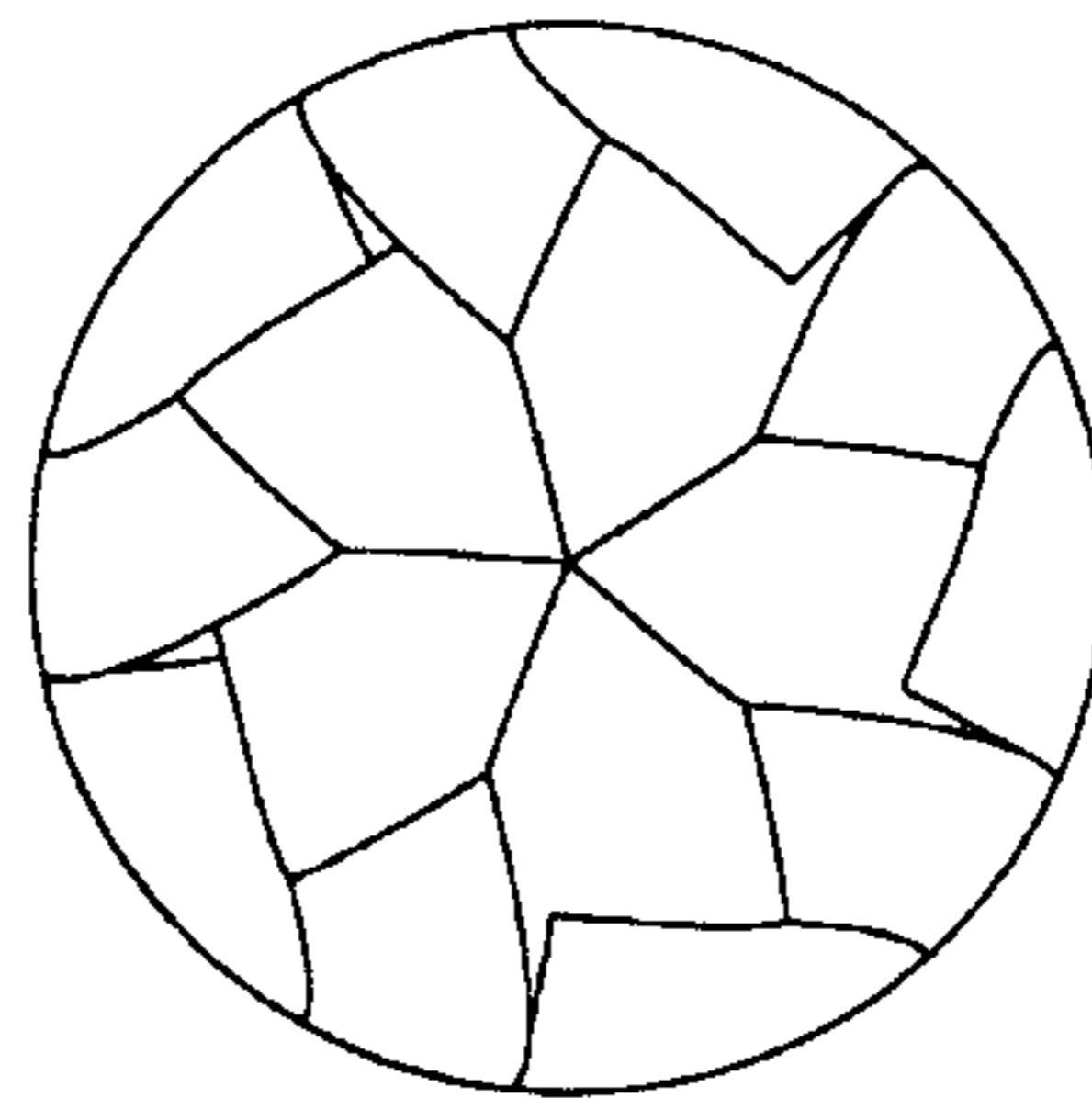


Fig.6

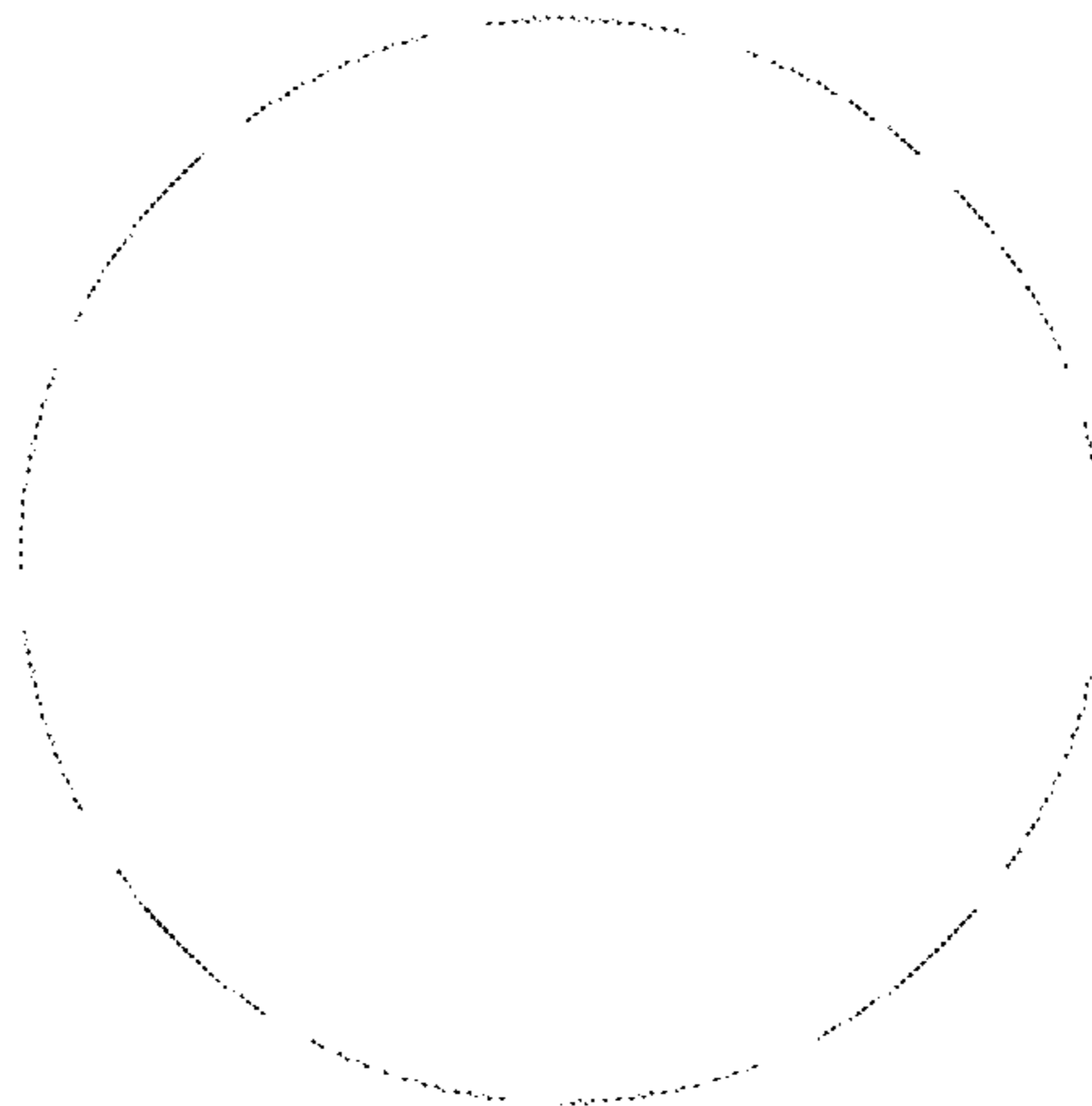


Fig.7

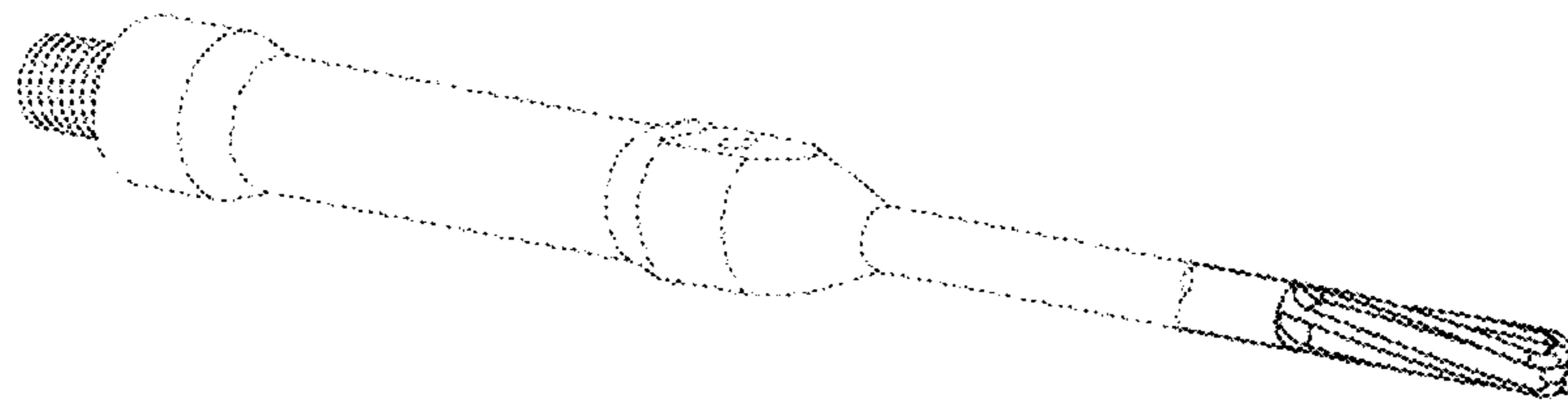


Fig.8