



US00D892325S

(12) **United States Design Patent** (10) **Patent No.:** **US D892,325 S**
Abbott et al. (45) **Date of Patent:** **** Aug. 4, 2020**

(54) **INSULATED TISSUE FORCEPS**
(71) Applicant: **MUSC Foundation for Research Development**, Charleston, SC (US)
(72) Inventors: **Andrea Abbott**, Mt. Pleasant, SC (US); **Matthew Roberts**, Charleston, SC (US)
(73) Assignee: **MUSC FOUNDATION FOR RESEARCH DEVELOPMENT**, Charleston, SC (US)
(**) Term: **15 Years**
(21) Appl. No.: **29/688,721**
(22) Filed: **Apr. 24, 2019**
(51) **LOC (12) Cl.** **24-02**
(52) **U.S. Cl.**
USPC **D24/143; D28/55**
(58) **Field of Classification Search**
USPC D24/133, 143; D28/55
CPC B25B 9/02; A61B 17/30; A61B 17/29; A61B 17/50; A61B 17/28; A61B 2017/305; A45D 26/0066
See application file for complete search history.

2012/0209316 A1* 8/2012 Tarlton A45D 26/0066 606/210
2015/0005814 A1* 1/2015 Boldt B25B 9/02 606/210
2017/0049466 A1* 2/2017 Schmid A61B 17/30

OTHER PUBLICATIONS

Debakey Forceps, Wikipedia, https://en.wikipedia.org/wiki/Debakey_forceps, Accessed May 6, 2020 (1 page).
Lovelace Hemostatic Tissue Forceps, V. Mueller Catalog, <https://catalog1.bd.com/vmueller/lovelace-hemostatic-tissue-forceps.html>, Accessed May 6, 2020 (2 pages).
Martin Tissue Forceps, Accurate Surgical, <http://www accuratesurgical.com/products/forceps/product/2806-martin-tissue-forc eps>, Accessed May 6, 2020 (1 page).

* cited by examiner

Primary Examiner — Wan Laymon
(74) *Attorney, Agent, or Firm* — Riverside Law LLP

(56) **References Cited**

U.S. PATENT DOCUMENTS

3,653,389 A * 4/1972 Shannon A61B 17/30 606/210
4,303,268 A * 12/1981 Davidson B25B 9/02 294/99.2
D415,276 S * 10/1999 Bell D24/143
D456,077 S * 4/2002 Etter D24/143
D543,662 S * 5/2007 Bivona D24/143
2008/0312669 A1* 12/2008 Vries A61B 17/062 606/148
2010/0280544 A1* 11/2010 Banks B25B 9/02 606/210

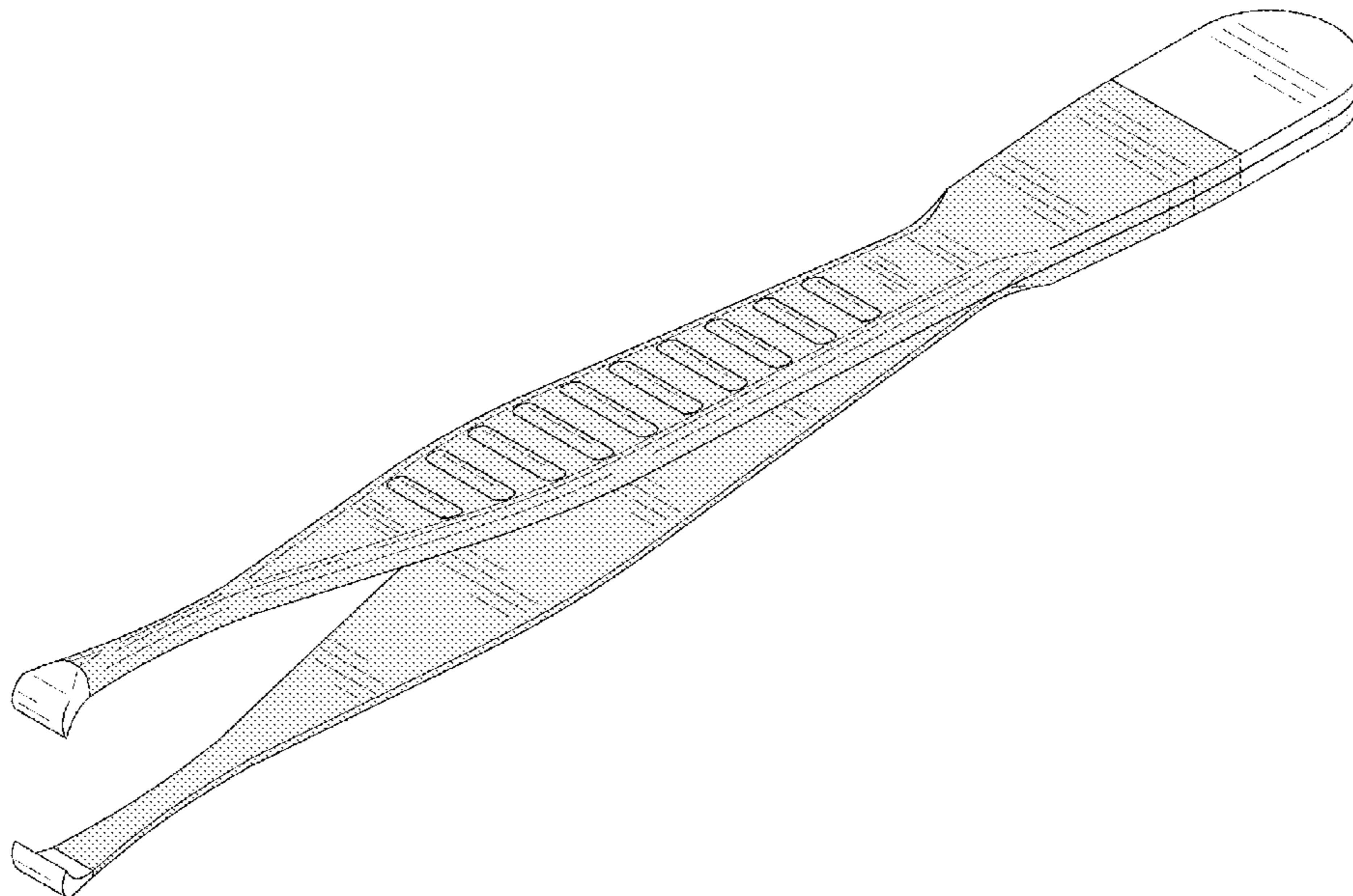
(57) **CLAIM**

The ornamental design for an insulated tissue forceps, as shown and described.

DESCRIPTION

FIG. 1 is a top-front-right perspective view of an insulated tissue forceps;
FIG. 2 is an enlarged front view thereof;
FIG. 3 is an enlarged back view thereof;
FIG. 4 is a right side view thereof, the left side view being a mirror image thereof; and,
FIG. 5 is a top view thereof, the bottom view being a mirror image thereof.

1 Claim, 4 Drawing Sheets



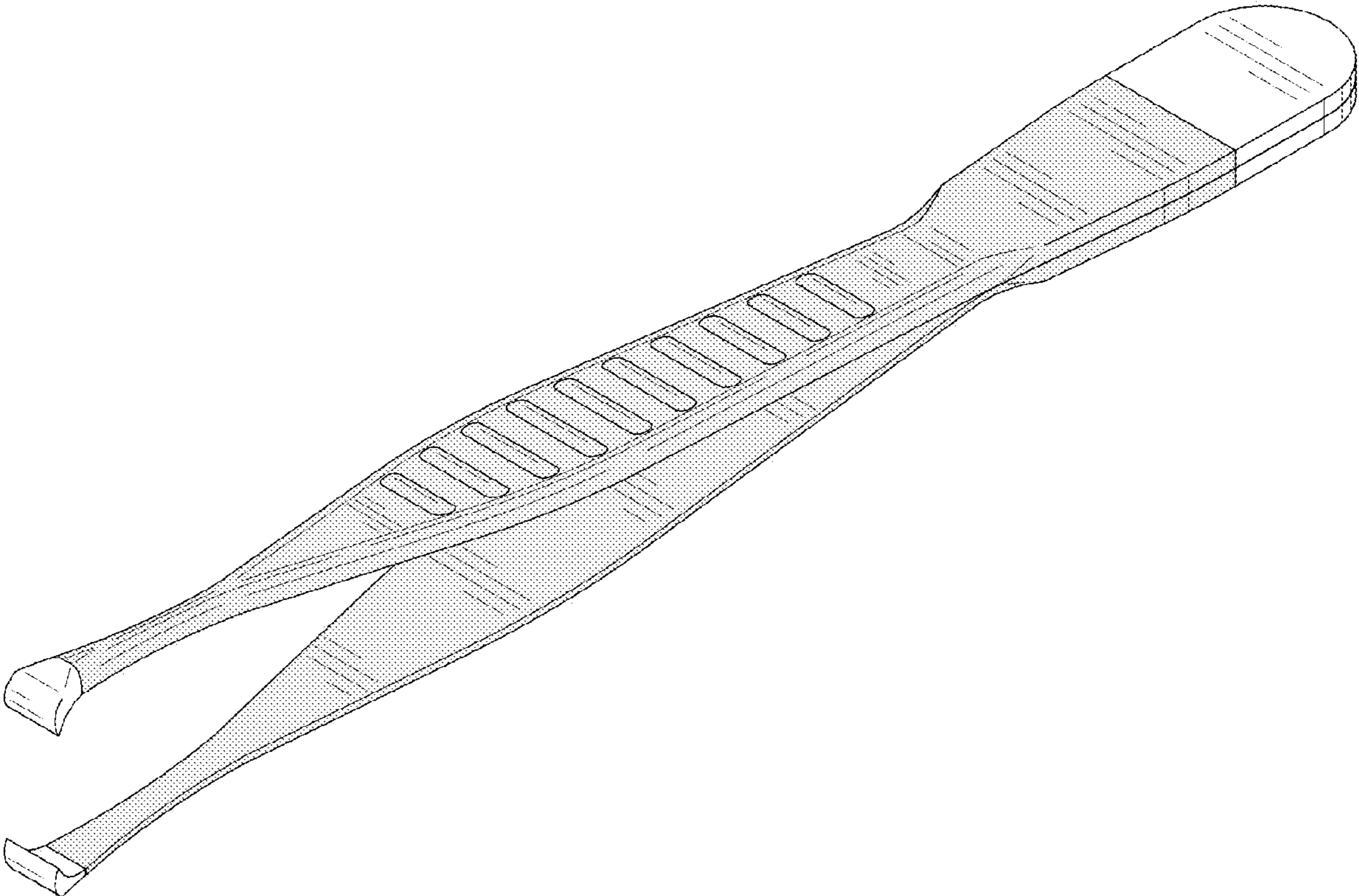


FIG. 1

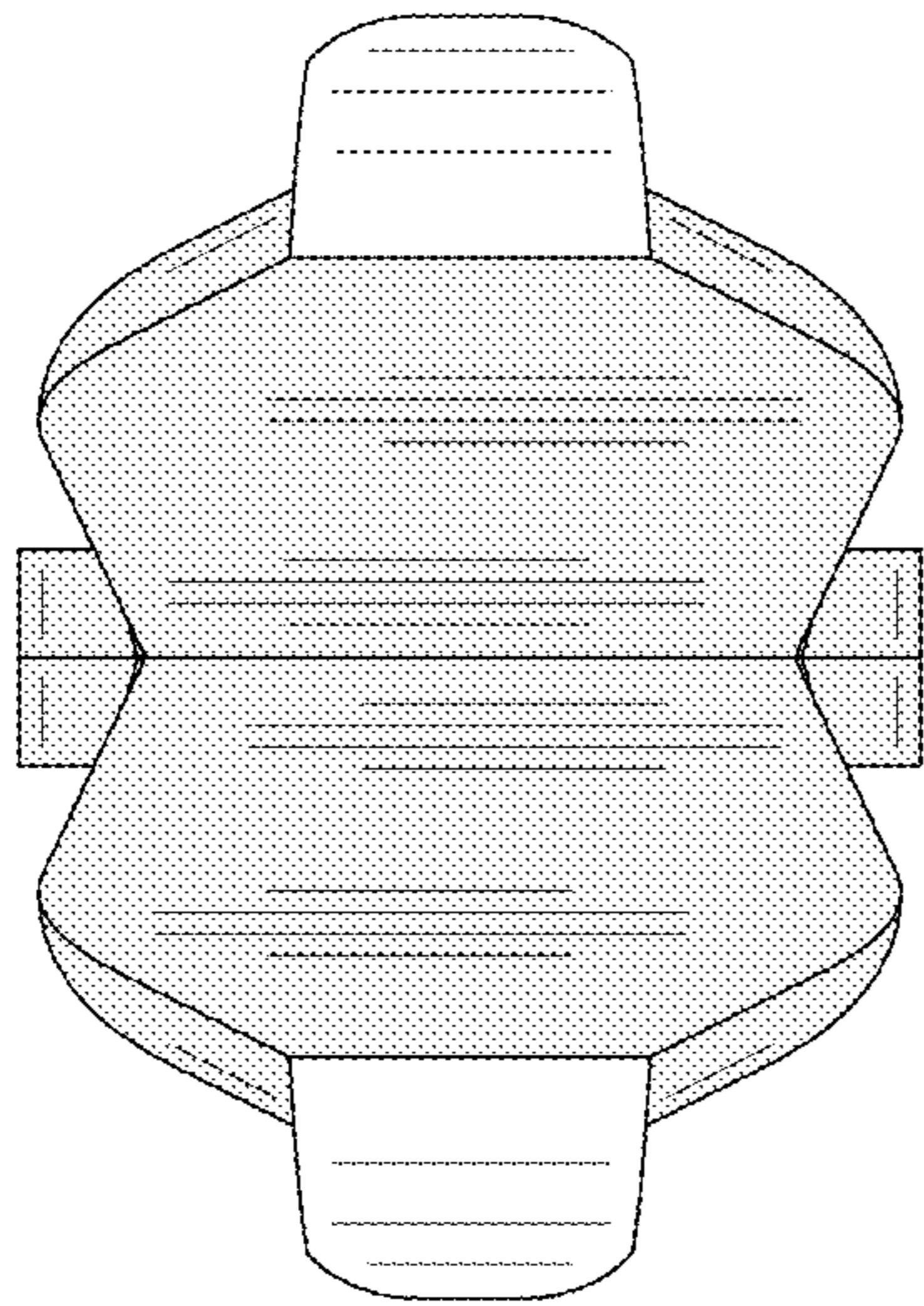


FIG. 2

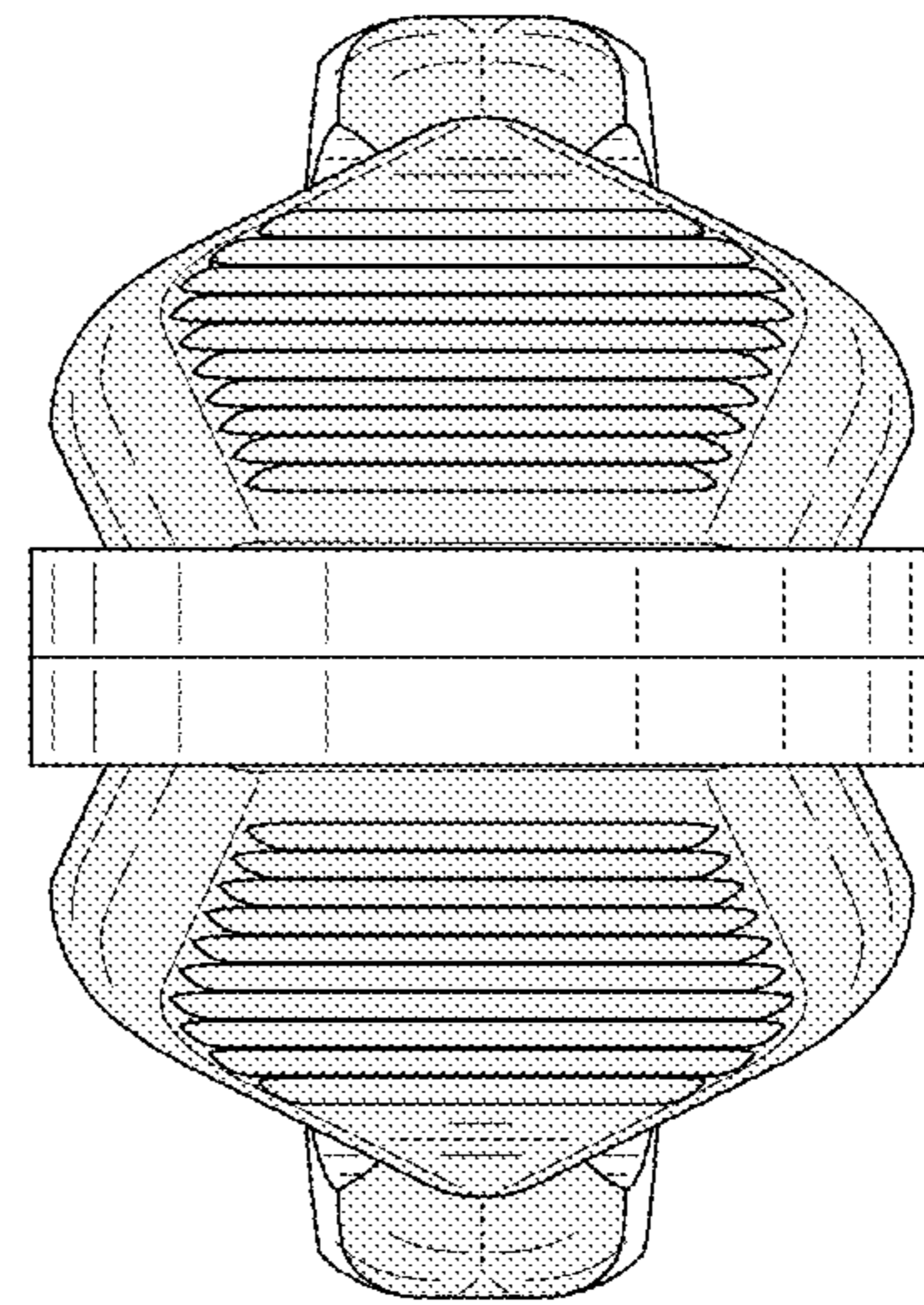


FIG. 3

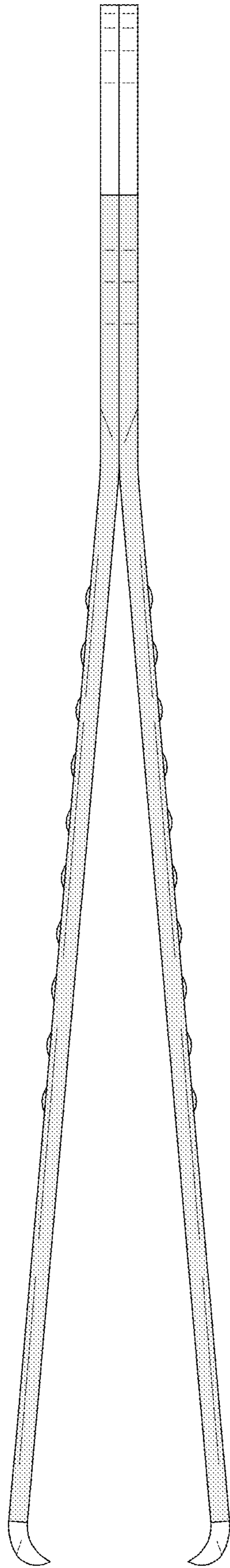


FIG. 4

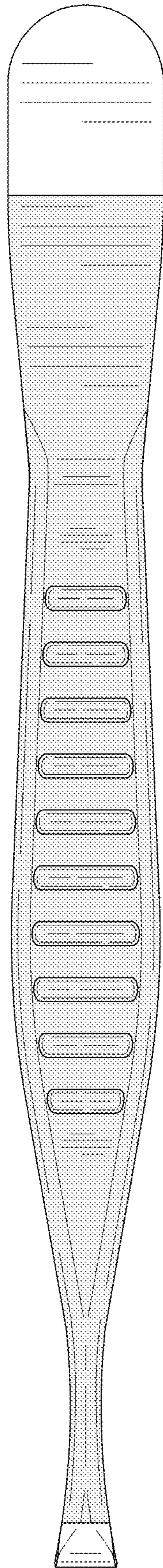


FIG. 5