



US00D892322S

(12) **United States Design Patent**
Yang

(10) **Patent No.:** **US D892,322 S**

(45) **Date of Patent:** **** *Aug. 4, 2020**

(54) **BEAUTY INSTRUMENT**

(71) Applicant: **Lingxia Yang**, Zhejiang (CN)

(72) Inventor: **Lingxia Yang**, Zhejiang (CN)

(73) Assignee: **NINGHAI KORIYA ELECTRICAL CO., LTD**, Zhejiang (CN)

(*) Notice: This patent is subject to a terminal disclaimer.

(**) Term: **15 Years**

(21) Appl. No.: **29/595,363**

(22) Filed: **Feb. 28, 2017**

(51) **LOC (12) Cl.** **24-02**

(52) **U.S. Cl.**
USPC **D24/133**

(58) **Field of Classification Search**
USPC D24/133, 137, 138, 200, 209, 211,
D24/212-215; D4/100, 102, 127, 134,
D4/138; D28/9, 58; 15/21.1, 22.1, 29,
15/143.1, 159; D26/37; D23/223
CPC A61B 17/54; A46B 13/02; A46B 13/008
See application file for complete search history.

(56) **References Cited**

U.S. PATENT DOCUMENTS

D323,034 S	*	1/1992	Reinstein	D24/200
D479,324 S	*	9/2003	Greaney	D24/111
D533,943 S	*	12/2006	Chen	D24/146
D601,803 S	*	10/2009	Reishus	D4/102
D612,510 S	*	3/2010	Byle	D24/210
D671,226 S	*	11/2012	Aulwes	D24/215
D675,829 S	*	2/2013	Jakubow	D4/102

D715,555 S	*	10/2014	Hosler	D4/102
D716,446 S	*	10/2014	Bitaraf	D24/146
D726,926 S	*	4/2015	Matsushita	D24/200
D726,927 S	*	4/2015	Matsushita	D24/200
D747,800 S	*	1/2016	Dunleavy	D24/133
D759,831 S	*	6/2016	Levi	D24/200
D773,676 S	*	12/2016	Gufler	D24/200
D773,823 S	*	12/2016	Wong	D4/102
D776,809 S	*	1/2017	Vallee	D24/137
D795,423 S	*	8/2017	Chen	D24/133
D803,572 S	*	11/2017	Nichols	D4/102
D805,781 S	*	12/2017	Szymanski	D4/102
2016/0120375 A1	*	5/2016	Philips	A47K 7/043 15/22.1
2016/0183670 A1	*	6/2016	Brewer	A46B 9/021 15/22.1
2016/0270821 A1	*	9/2016	Hendler	A61B 17/54

* cited by examiner

Primary Examiner — Ian Simmons
Assistant Examiner — Yolanda Robinson
(74) *Attorney, Agent, or Firm* — Justin Lampel

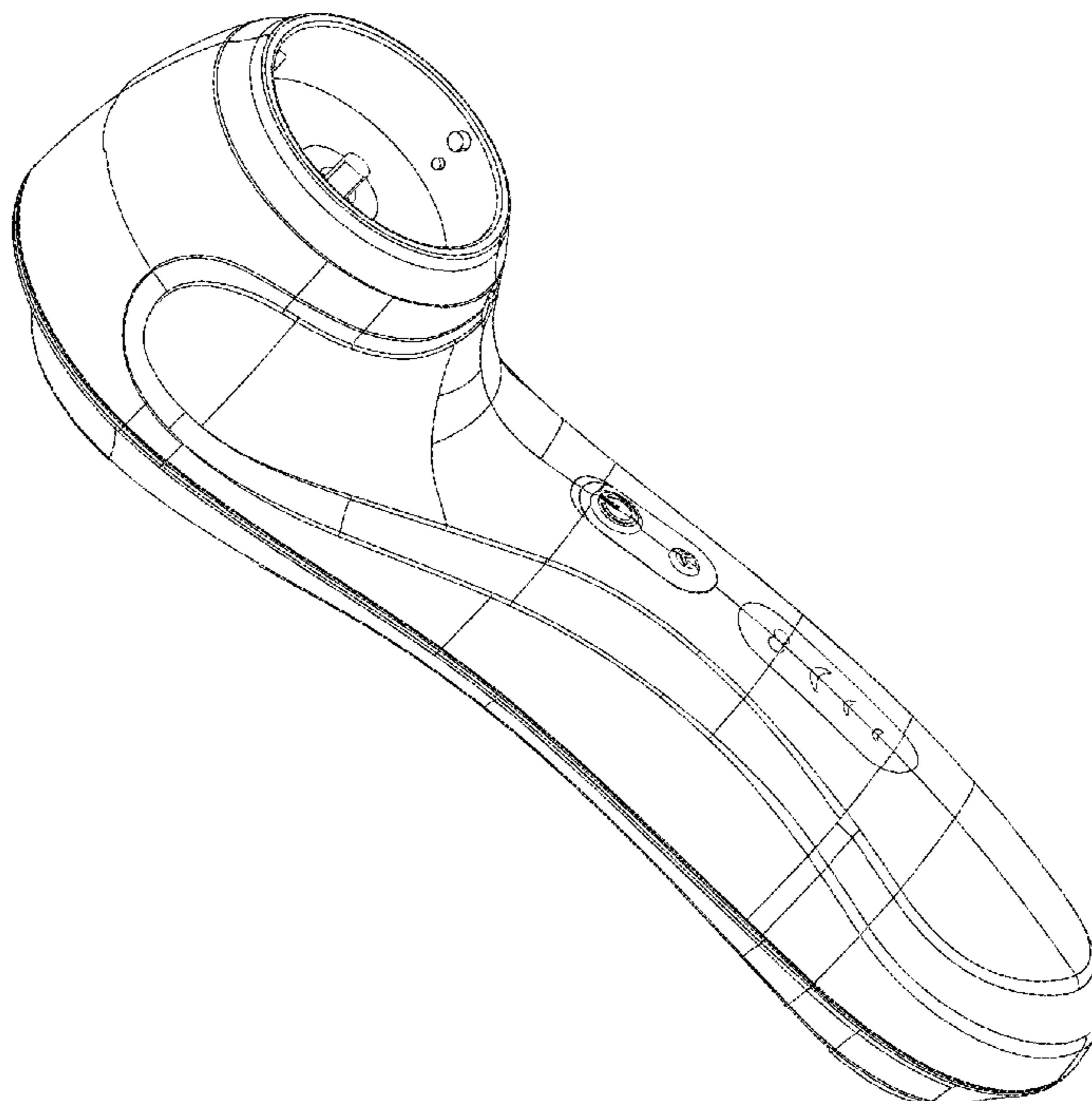
(57) **CLAIM**

The ornamental design for a beauty instrument, as shown and described.

DESCRIPTION

FIG. 1 is a perspective view of a beauty instrument showing my new design;
FIG. 2 is a front elevational view thereof;
FIG. 3 is a rear elevational view thereof;
FIG. 4 is a right side view thereof;
FIG. 5 is a left side view thereof;
FIG. 6 is a bottom plan view thereof; and,
FIG. 7 is a top plan view thereof.

1 Claim, 7 Drawing Sheets



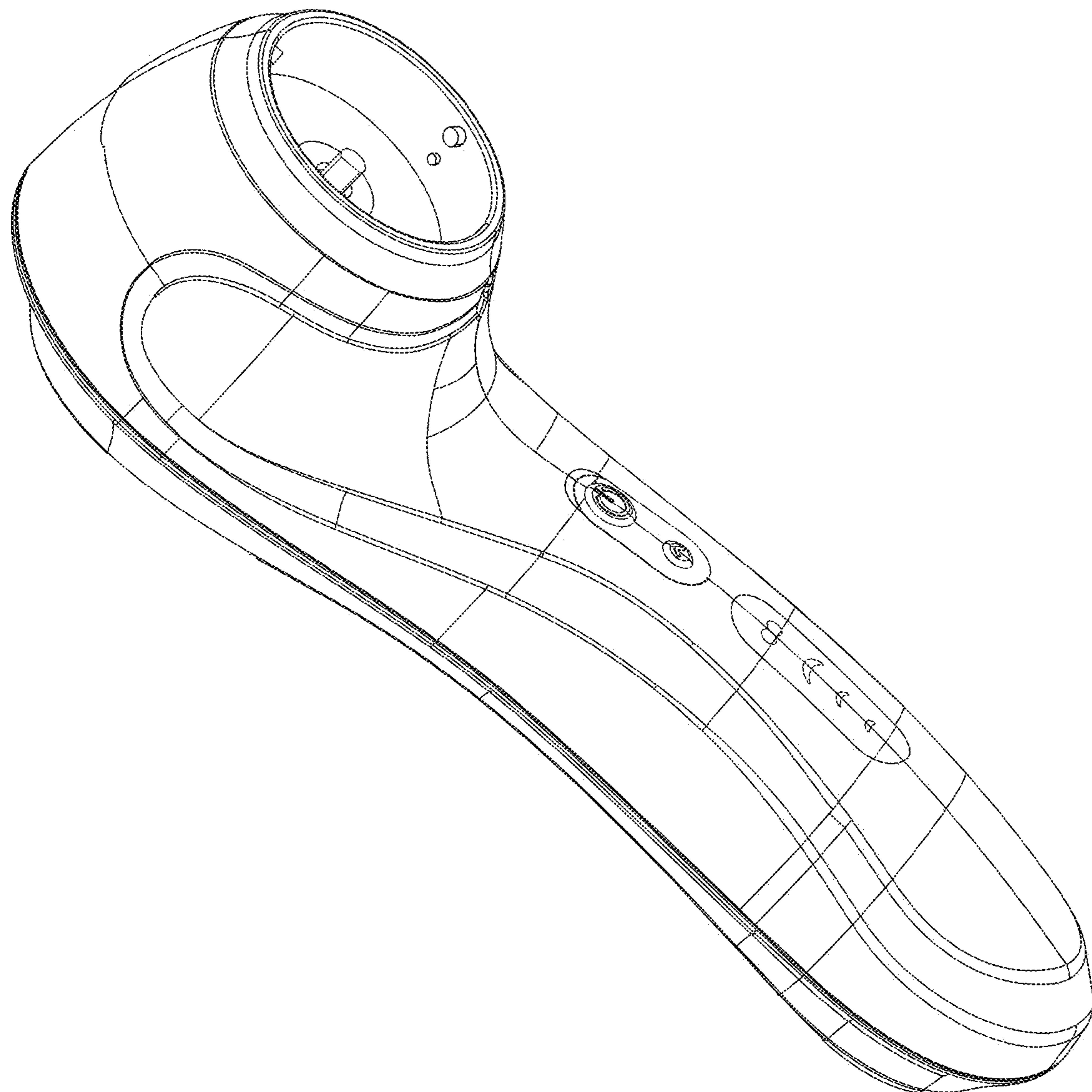


FIG. 1

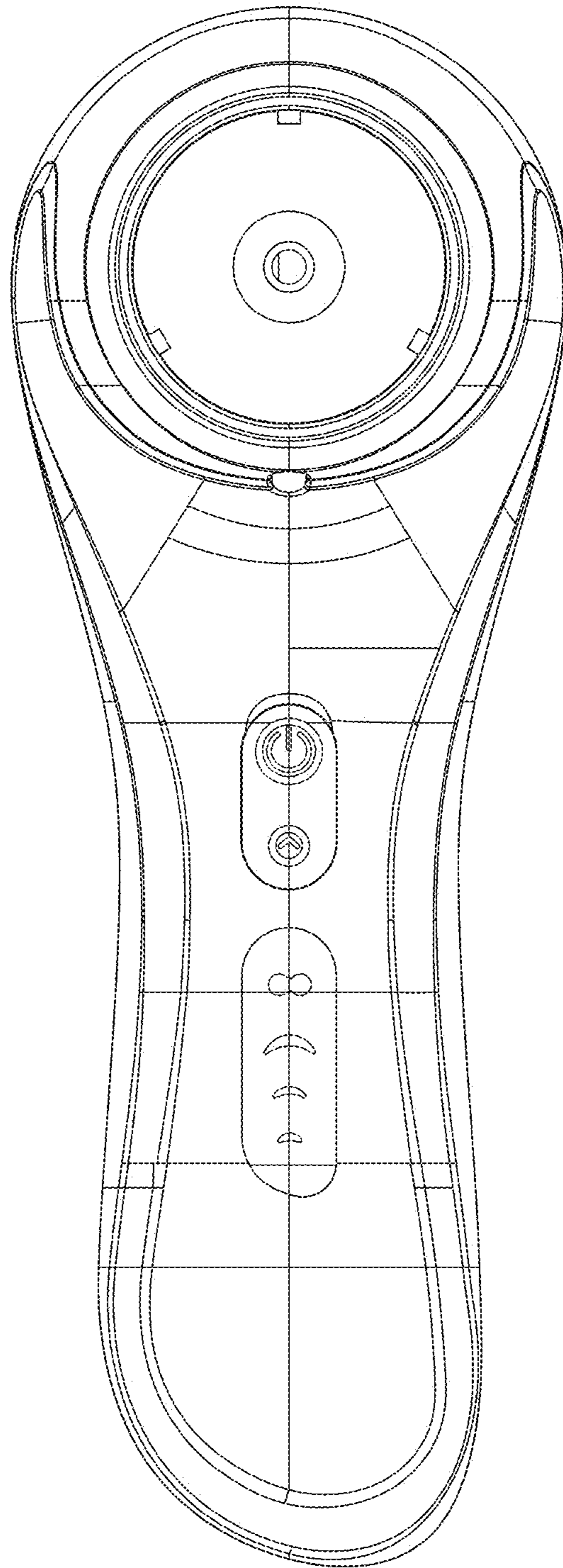


FIG. 2

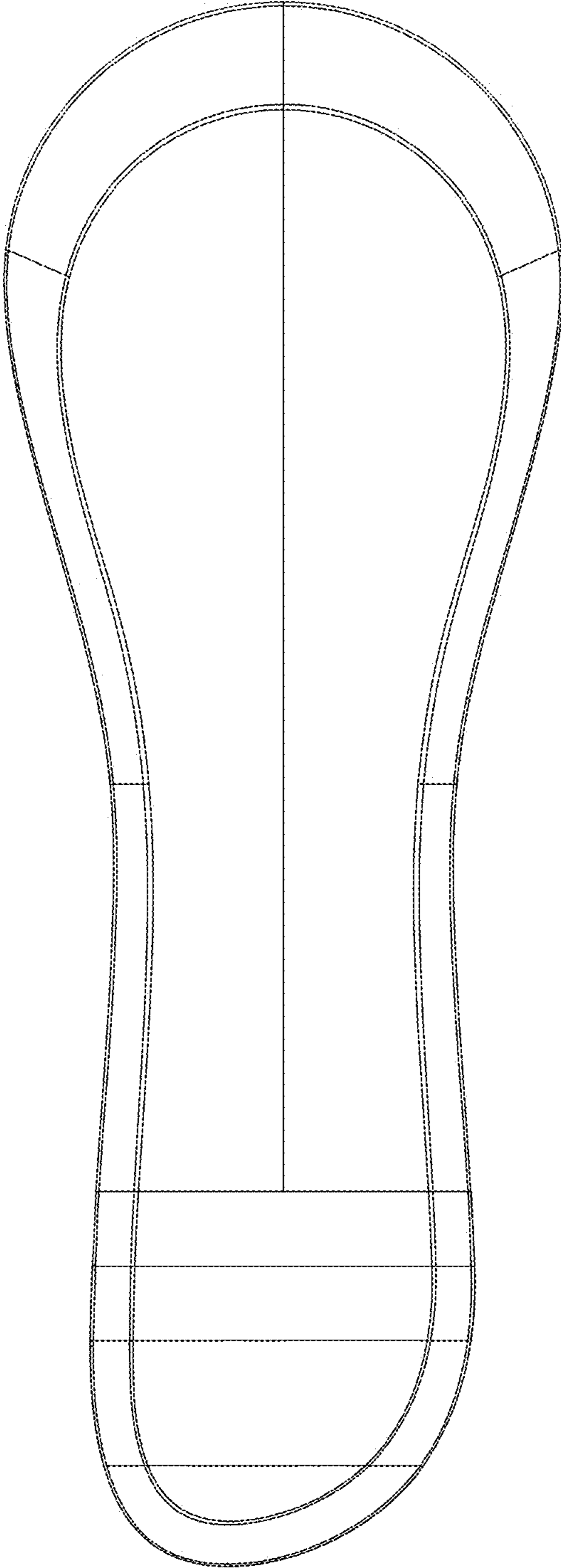


FIG. 3

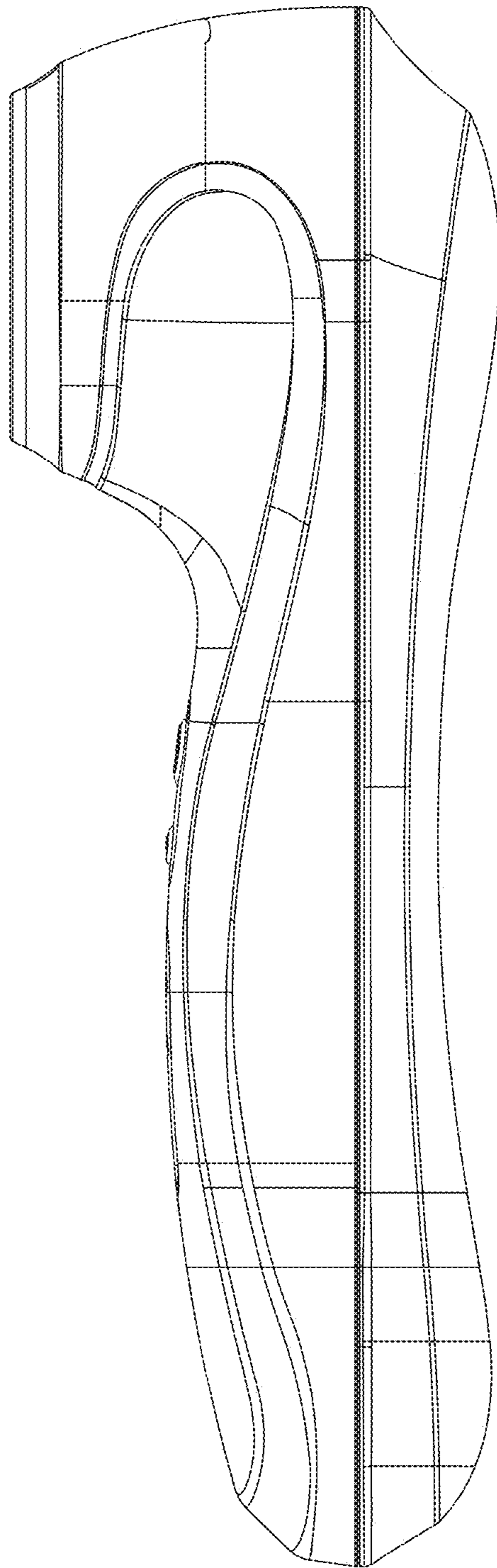


FIG. 4

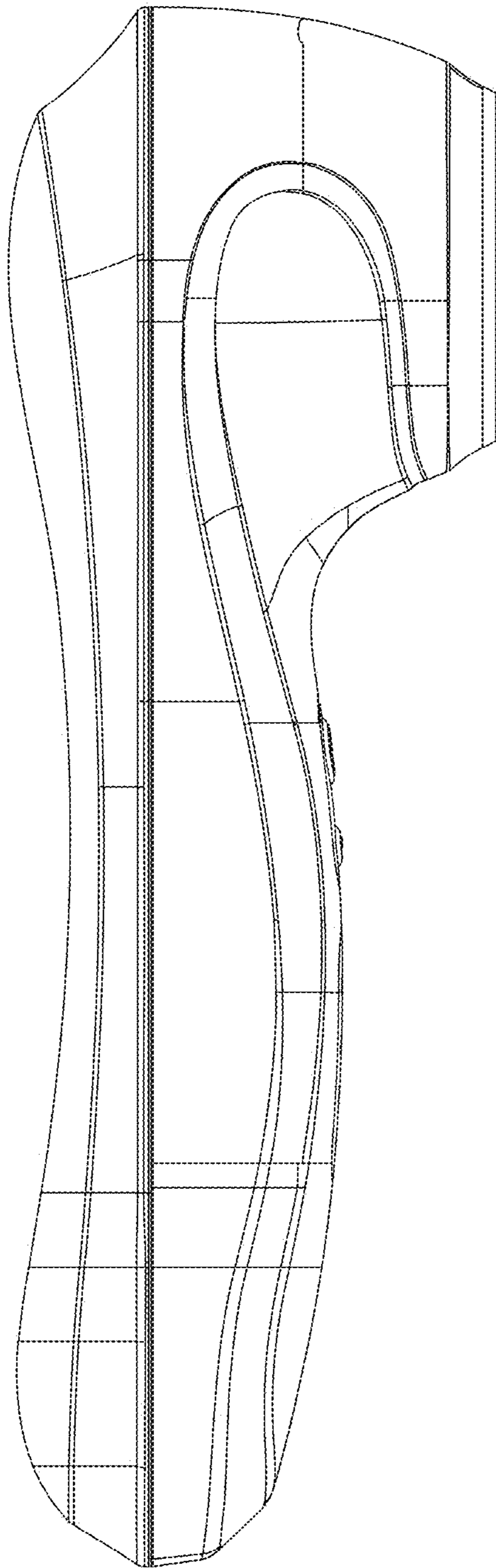


FIG. 5

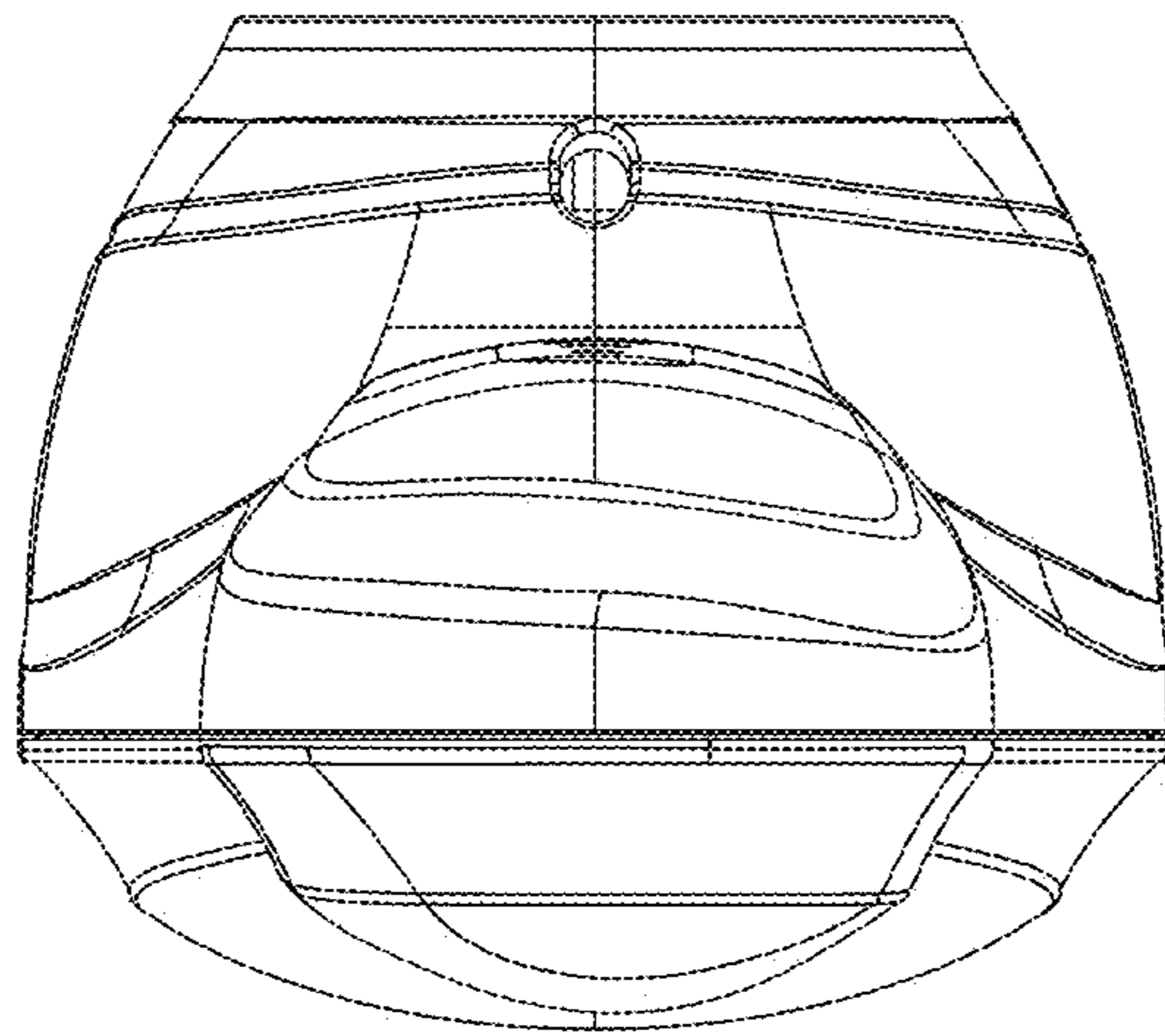


FIG. 6

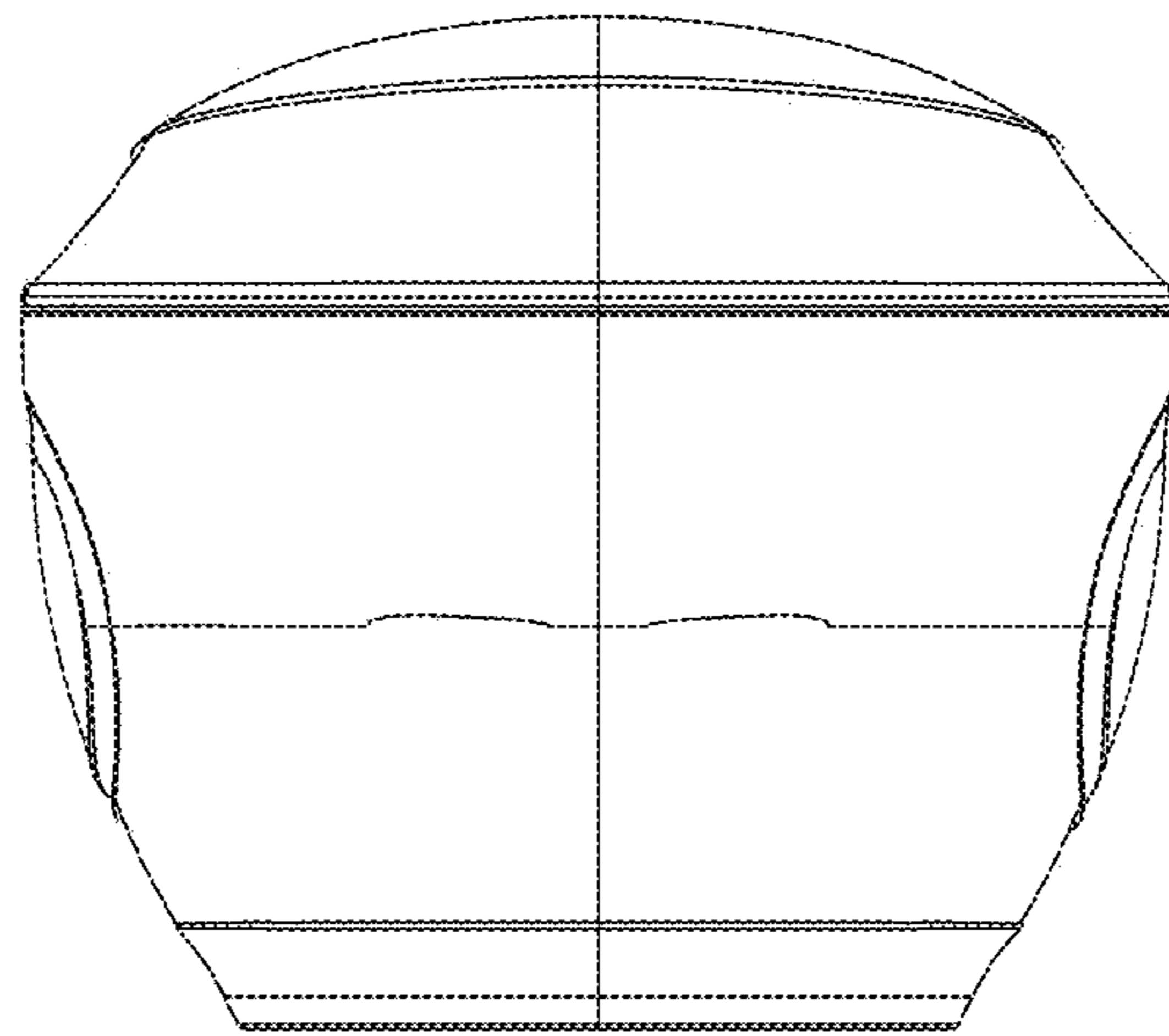


FIG. 7