



US00D892321S

(12) **United States Design Patent** (10) **Patent No.:** **US D892,321 S**
Newton (45) **Date of Patent:** **** Aug. 4, 2020**

(54) **SYRINGE ADAPTER**
(71) Applicant: **William Charles Brian Newton**,
Greensboro, NC (US)
(72) Inventor: **William Charles Brian Newton**,
Greensboro, NC (US)
(**) Term: **15 Years**
(21) Appl. No.: **29/694,843**
(22) Filed: **Jun. 13, 2019**
(51) **LOC (12) Cl.** **24-02**
(52) **U.S. Cl.**
USPC **D24/130; D24/129**
(58) **Field of Classification Search**
USPC D24/127-131, 112-114, 133, 186;
606/181, 185; 604/264, 523-528, 272,
604/187, 158, 164.01-164.11, 181, 184,
604/227; 600/101, 139, 143;
128/200.24, 207.14, 207.15
CPC .. A61M 25/065; A61M 5/42; A61M 25/0612;
A61M 25/00; A61M 39/00; A61M 27/00;
A61M 25/0043; A61M 25/0067; A61F
2/958
See application file for complete search history.

(56) **References Cited**
U.S. PATENT DOCUMENTS
D355,031 S * 1/1995 Yoshikawa D24/112
6,673,060 B1 * 1/2004 Fleming, III A61M 1/008
600/149
7,252,652 B2 * 8/2007 Moorehead A61M 25/0075
604/247
D559,397 S * 1/2008 Eriksson D24/224
7,666,170 B2 * 2/2010 Guala A61M 39/10
604/246
8,012,144 B2 * 9/2011 Moberg A61F 2/0095
604/533
D748,777 S * 2/2016 Uenishi D24/130

D750,235 S * 2/2016 Maurice D24/129
D788,315 S * 5/2017 Matsuura D24/224
D830,820 S * 10/2018 Sweeney D8/387
D831,476 S * 10/2018 Sweeney D8/387
D837,974 S * 1/2019 Hannon D24/112
D838,379 S * 1/2019 Trump D24/216
D863,049 S * 10/2019 Sweeney D8/382
D864,381 S * 10/2019 Miles D24/112
D877,896 S * 3/2020 Ritter D24/114
D879,951 S * 3/2020 Kucklick D24/112
D879,952 S * 3/2020 Schneider D24/112
2007/0016166 A1 * 1/2007 Thistle F16L 33/222
604/533
2010/0059702 A1 * 3/2010 Mansour A61M 39/26
251/331
2011/0015566 A1 * 1/2011 Pan A61M 39/26
604/68

(Continued)

Primary Examiner — Nathan M Johnston
(74) *Attorney, Agent, or Firm* — Tuggle Duggins P.A.;
Blake P. Hurt

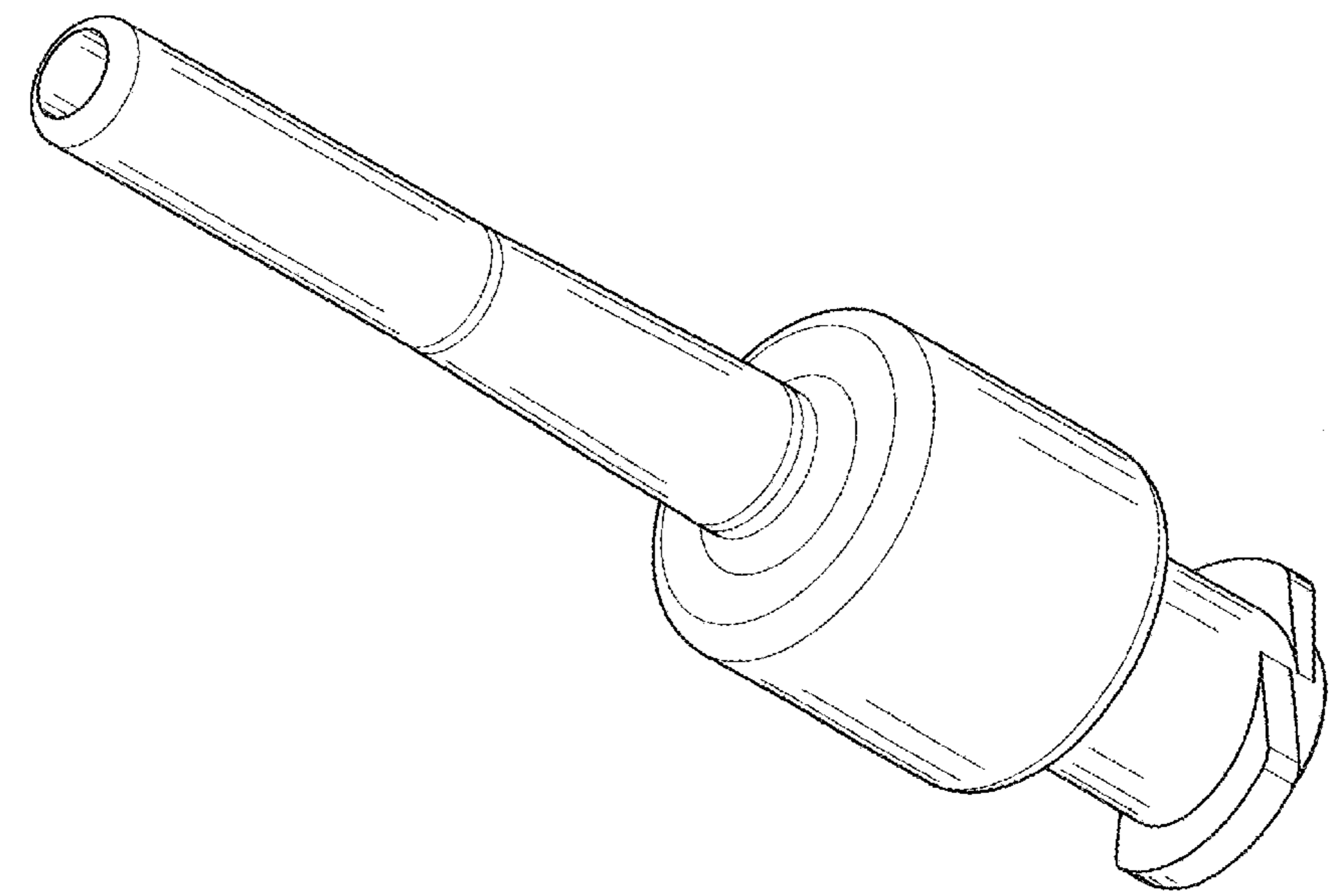
(57) **CLAIM**

The ornamental design for a syringe adapter, as shown and described.

DESCRIPTION

FIG. 1 is a top, front, right side perspective view of a syringe adapter showing my new design;
FIG. 2 is a bottom, rear, left side perspective view thereof;
FIG. 3 is a top plan view thereof;
FIG. 4 is a bottom plan view thereof;
FIG. 5 is a right side elevational view thereof;
FIG. 6 is a left side elevational view thereof;
FIG. 7 is a front elevational view thereof, the rear elevational view being a mirror image thereof; and,
FIG. 8 is a cross-sectional view as taken along lines 3-3 of FIG. 3.

1 Claim, 7 Drawing Sheets



(56)

References Cited

U.S. PATENT DOCUMENTS

2012/0059334 A1* 3/2012 Pan A61M 39/10
604/236
2015/0335873 A1* 11/2015 Khalaj A61M 25/0097
604/533
2016/0008524 A1* 1/2016 Harder A61B 17/3415
604/158
2017/0232164 A1* 8/2017 Cupelli A61M 25/0068
604/164.02
2018/0021560 A1* 1/2018 Ueda A61M 39/24
604/533

* cited by examiner

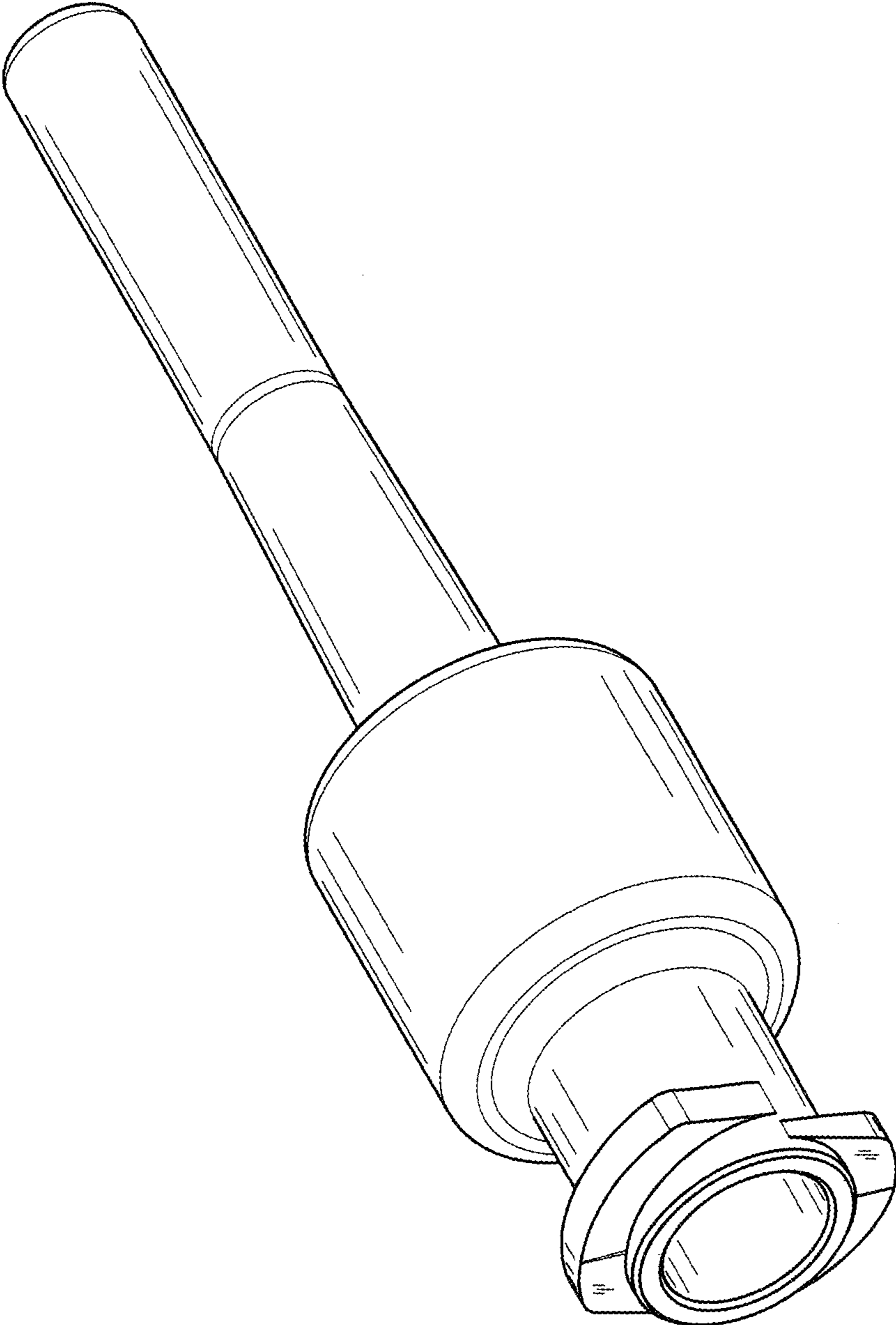


FIG. 1

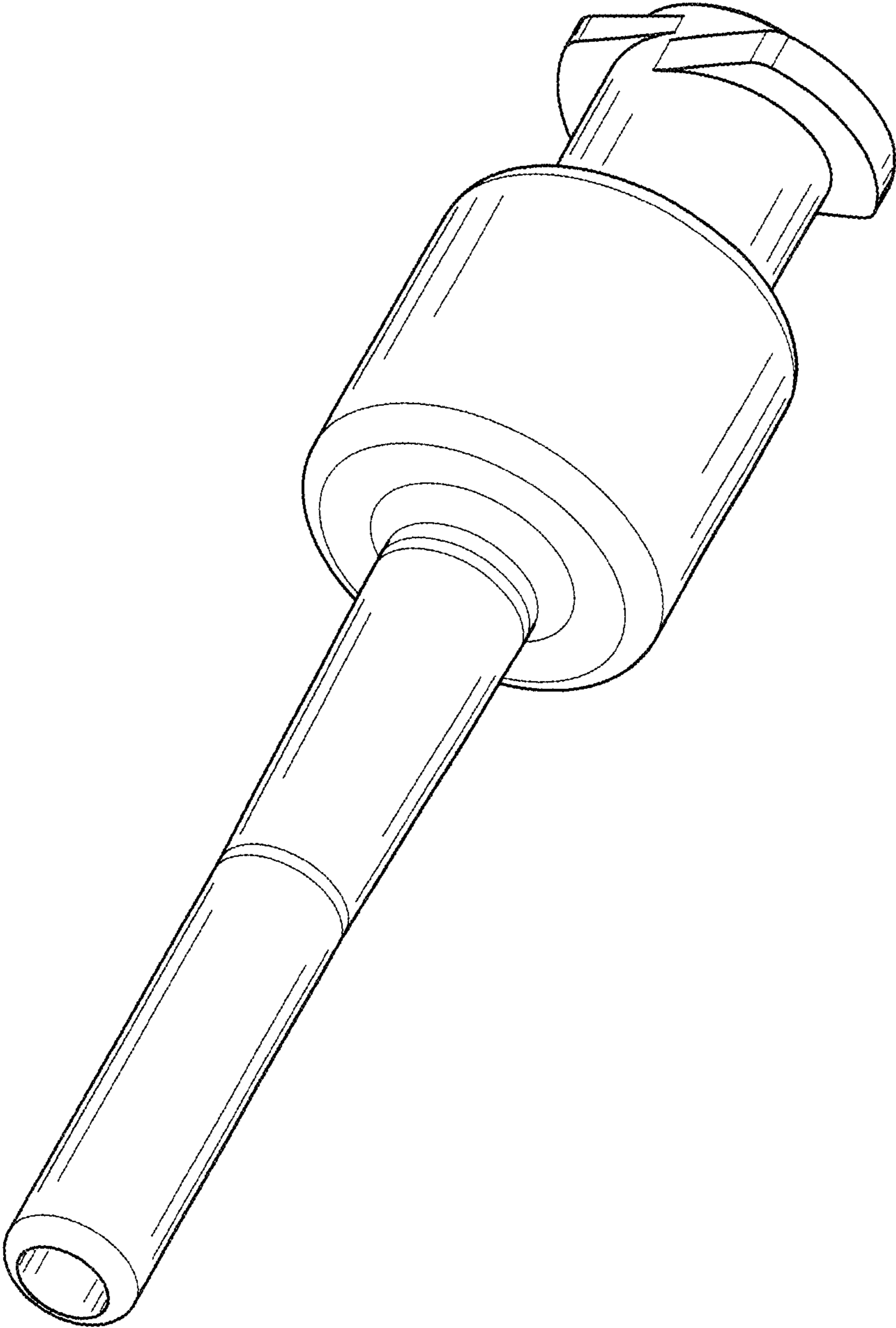


FIG. 2

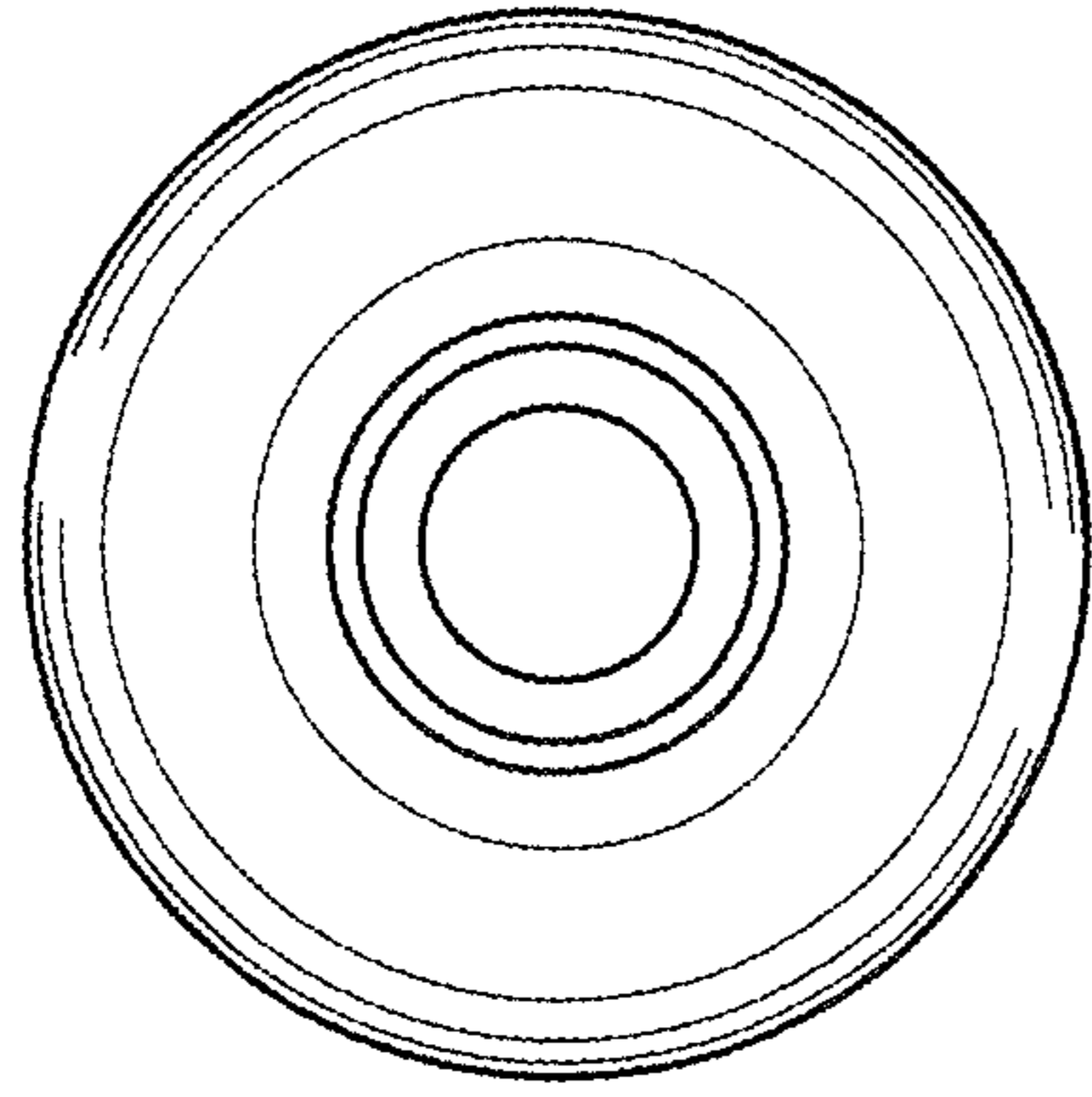


FIG. 4

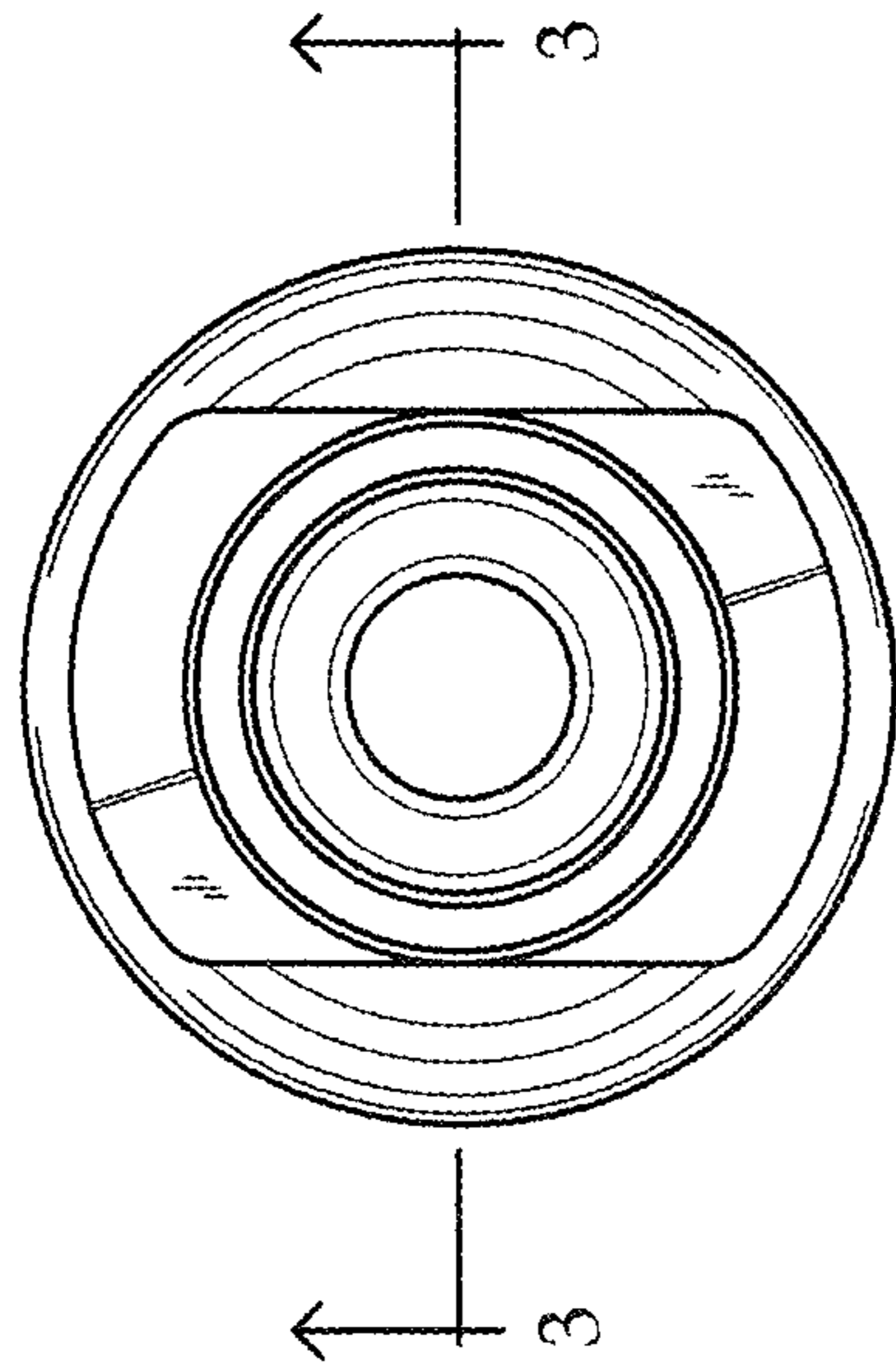


FIG. 3

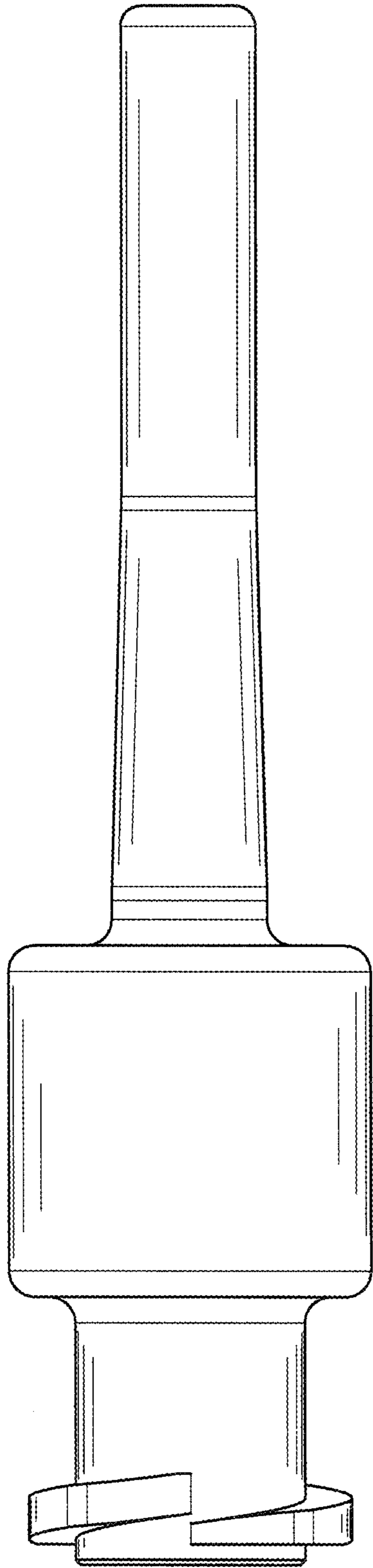


FIG. 5

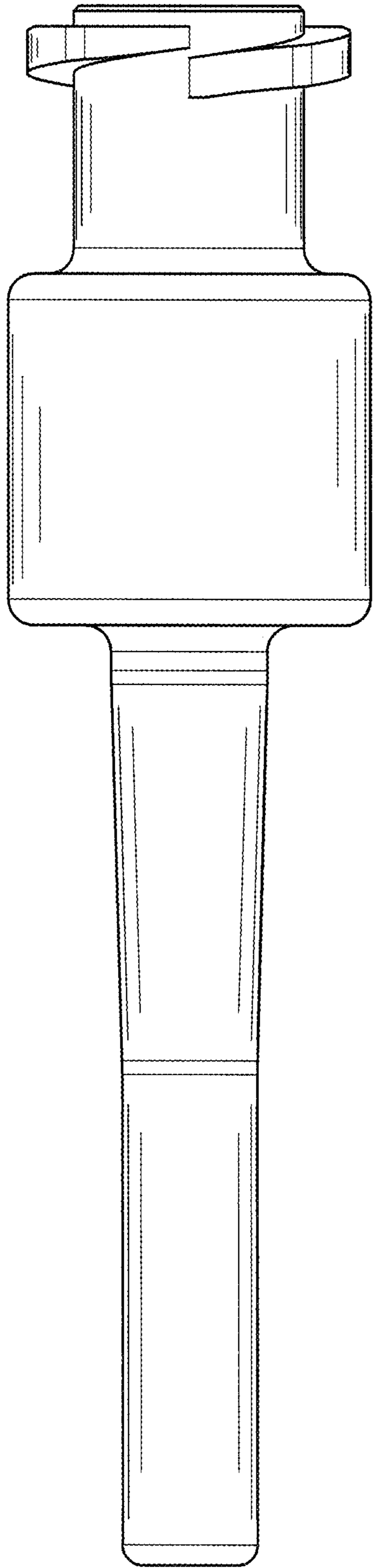


FIG. 6

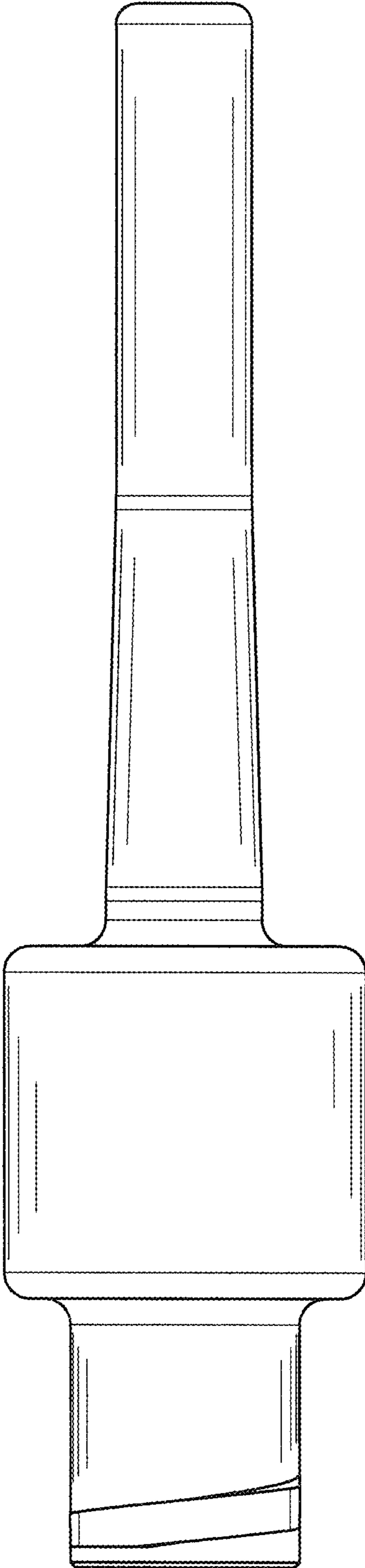


FIG. 7

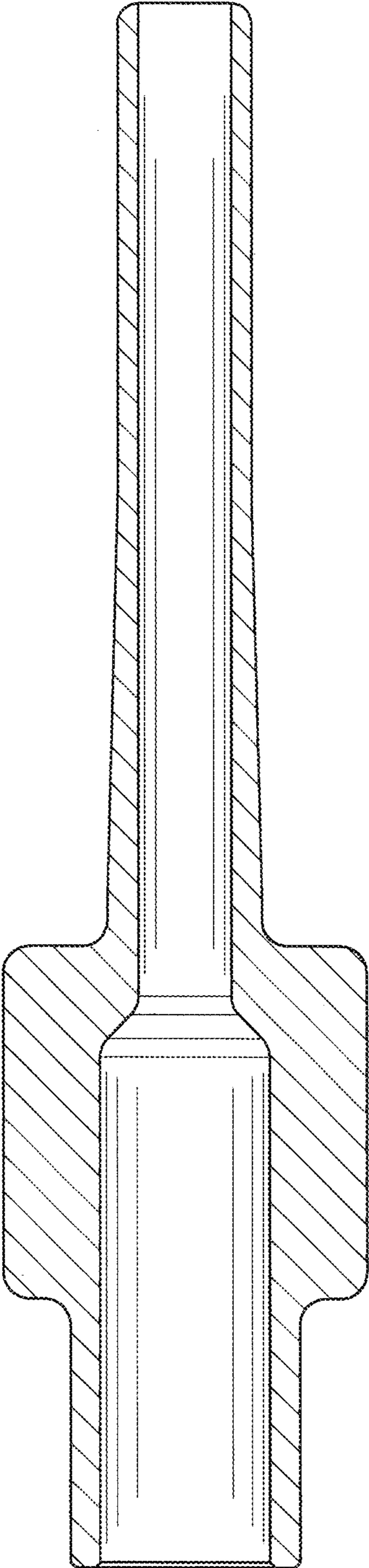


FIG. 8