



US00D892320S

(12) **United States Design Patent**
Milhous et al.

(10) **Patent No.:** **US D892,320 S**

(45) **Date of Patent:** **** Aug. 4, 2020**

(54) **CATHETER HUB WITH AN ELECTRICAL CONNECTOR**

(71) Applicant: **MicroVention, Inc.**, Aliso Viejo, CA (US)

(72) Inventors: **Parker Milhous**, Santa Ana, CA (US);
Heath Bowman, Trabuco Canyon, CA (US); **Kaushik Joshi**, Tustin, CA (US)

(73) Assignee: **MicroVention, Inc.**, Aliso Viejo, CA (US)

(**) Term: **15 Years**

(21) Appl. No.: **29/660,583**

(22) Filed: **Aug. 21, 2018**

(51) **LOC (12) Cl.** **24-01**

(52) **U.S. Cl.**
USPC **D24/130**

(58) **Field of Classification Search**
USPC D24/127–131, 112–114, 133, 186;
606/181, 185; 604/264, 523–528, 272,
604/187, 158, 164.01–164.11, 181, 184,
604/227; 600/101, 139, 143;
128/200.24, 207.14, 207.15
CPC A61M 25/00; A61M 39/00; A61M 27/00;
A61M 25/0043; A61M 25/0067; A61M
25/0097; A61F 2/958
See application file for complete search history.

(56) **References Cited**

U.S. PATENT DOCUMENTS

D263,335 S * 3/1982 Bujan D10/102
6,193,682 B1 * 2/2001 Ahmed A61M 27/006
604/198

D475,458 S * 6/2003 Denolly D24/133
D634,840 S * 3/2011 Lombardi, III D24/129
D652,511 S * 1/2012 Lombardi, III D24/129
D662,588 S * 6/2012 Davies D24/144
D663,022 S * 7/2012 Lombardi, III D24/129
D699,840 S * 2/2014 Lombardi, III D24/129
D699,841 S * 2/2014 Lombardi, III D24/129
D760,399 S * 6/2016 So D24/216
2005/0203485 A1 * 9/2005 Lee A61M 25/0097
604/523
2005/0209583 A1 * 9/2005 Powers A61M 25/0014
604/533
2018/0236204 A1 * 8/2018 Milhous A61M 25/0097

* cited by examiner

Primary Examiner — Nathan M Johnston

(74) *Attorney, Agent, or Firm* — Inskeep IP Group, Inc.

(57) **CLAIM**

The ornamental design for a catheter hub with an electrical connector, as shown and described.

DESCRIPTION

FIG. 1 is a top perspective view of a catheter hub with an electrical connector showing our new design.

FIG. 2 is bottom perspective view thereof.

FIG. 3 is a side view thereof.

FIG. 4 is a side view thereof.

FIG. 5 is an end view thereof.

FIG. 6 is an end view thereof.

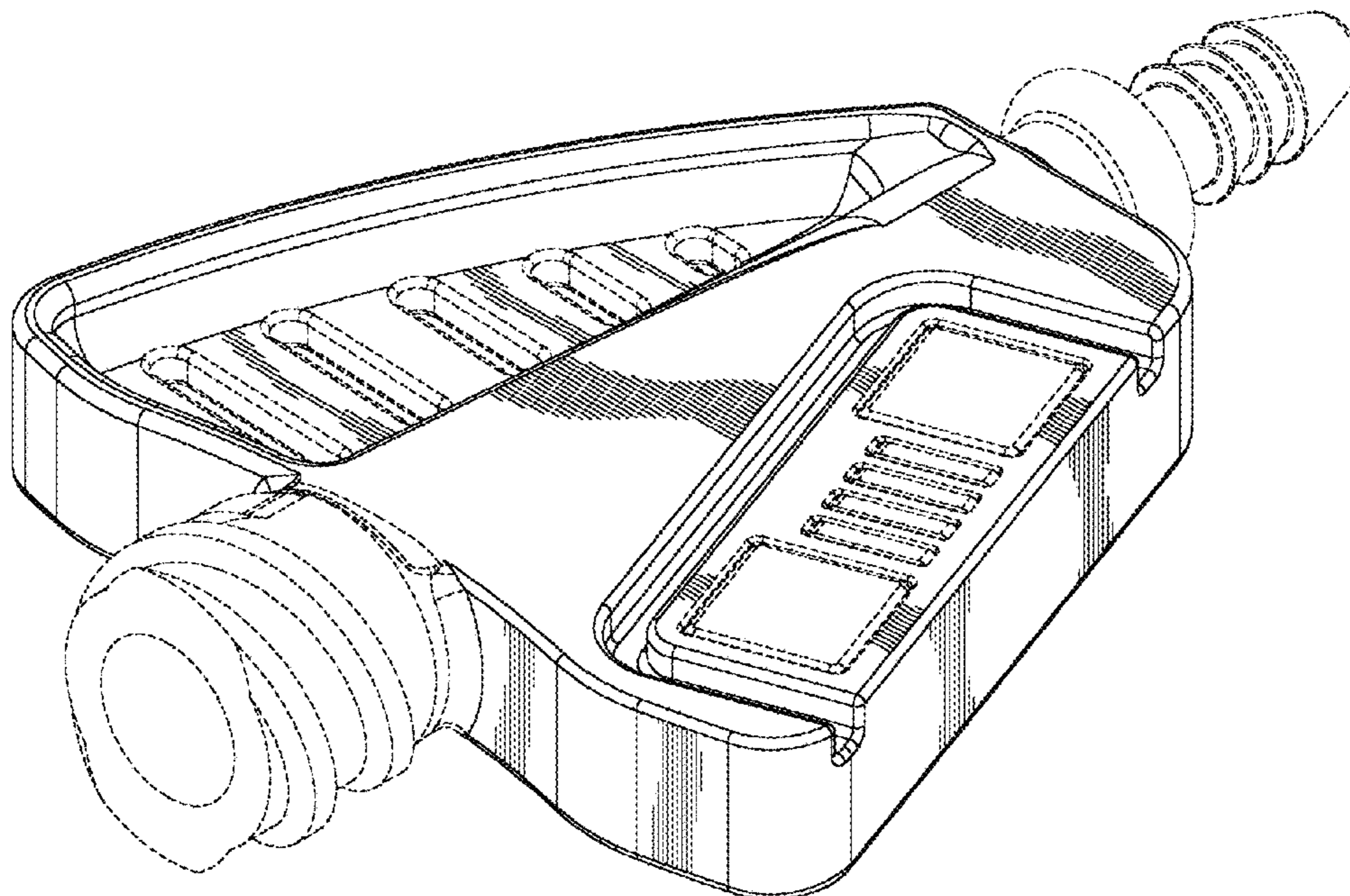
FIG. 7 is a top view thereof; and,

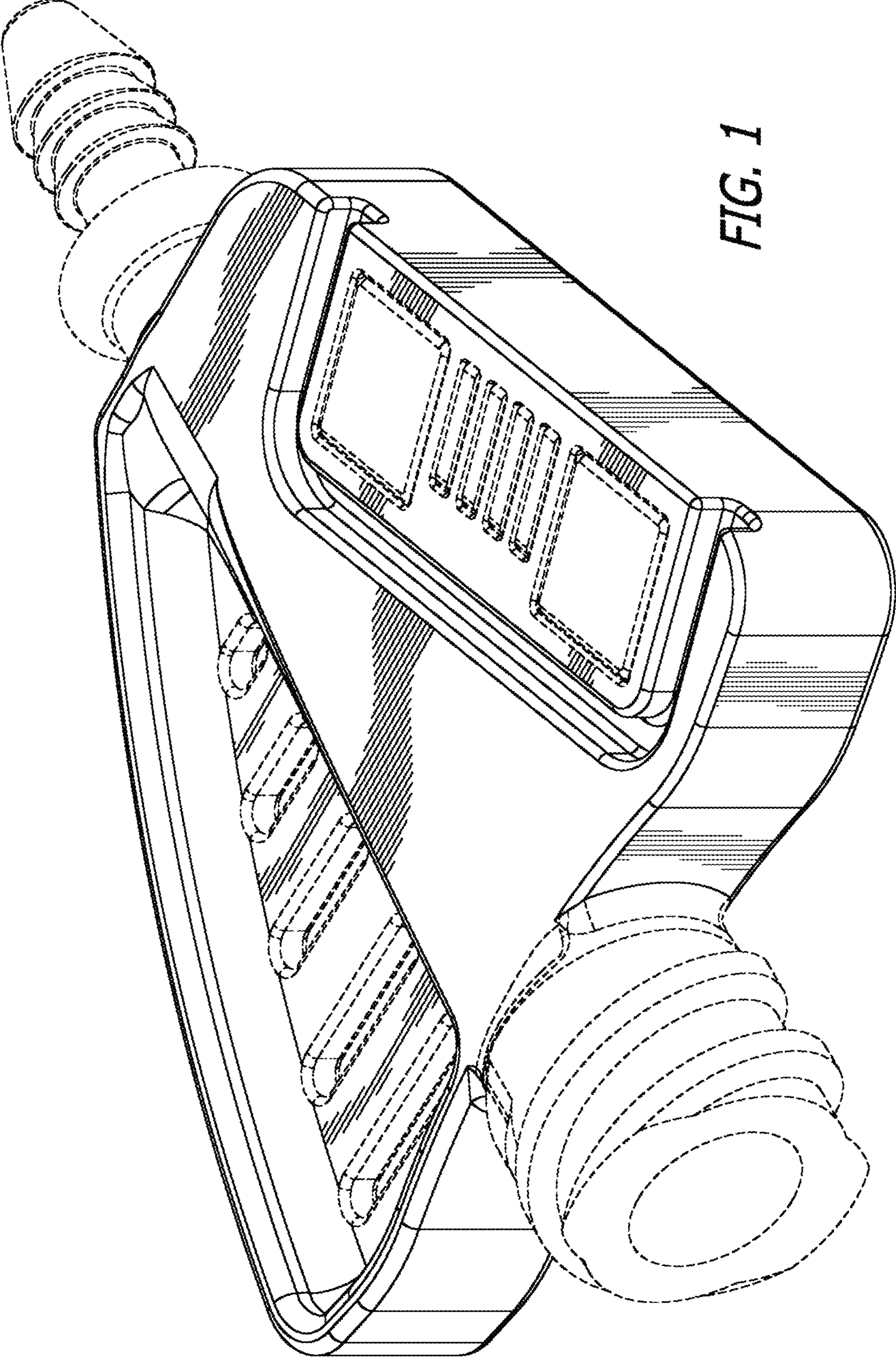
FIG. 8 is a bottom view thereof.

The dashed lines immediately adjacent to the shaded areas in the figures represent the boundaries of the claimed design.

The dashed lines in the figures illustrate the portions of the design that form no part of the claimed design. None of the broken lines form any part of the claimed design.

1 Claim, 6 Drawing Sheets





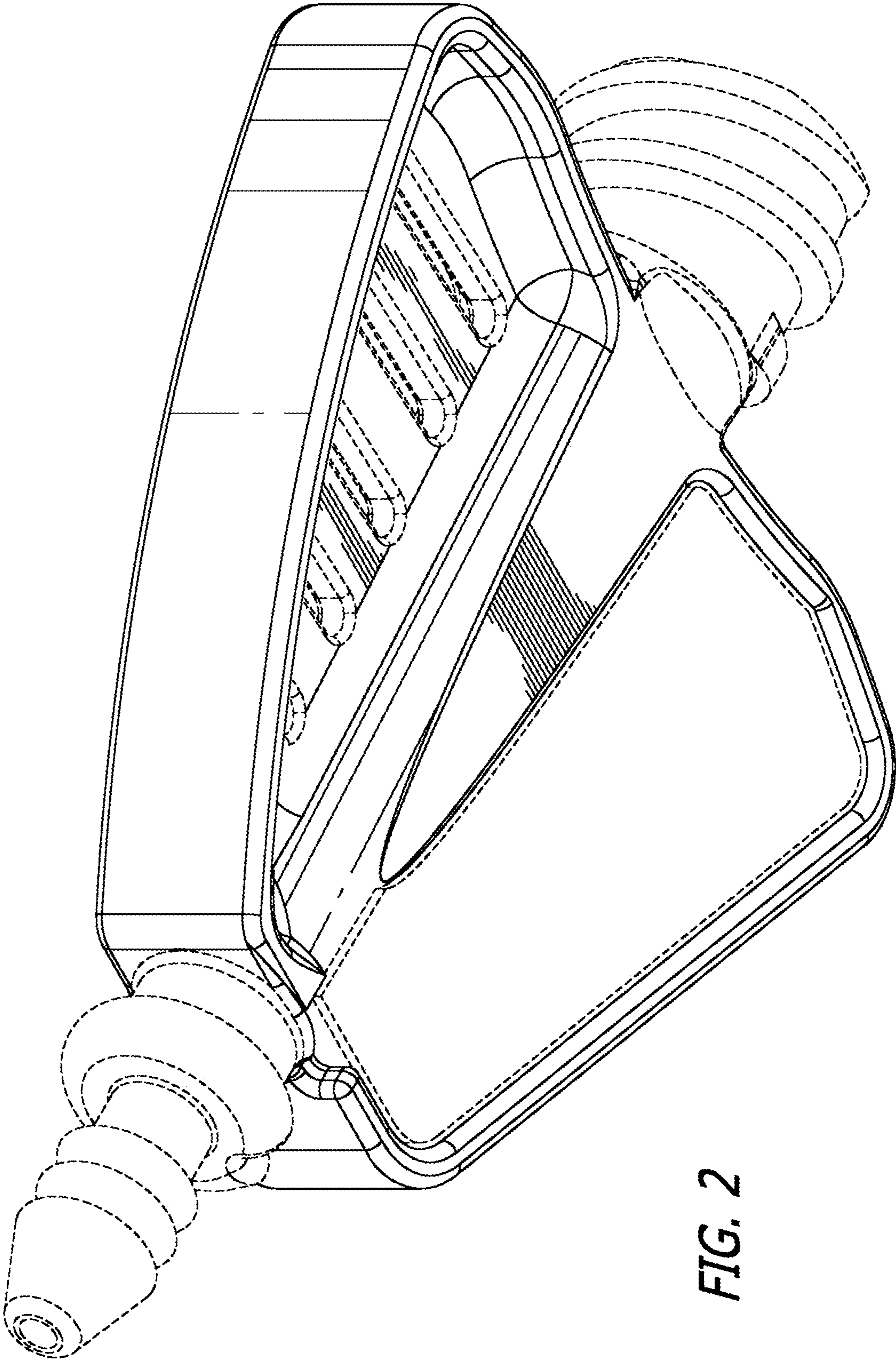


FIG. 2

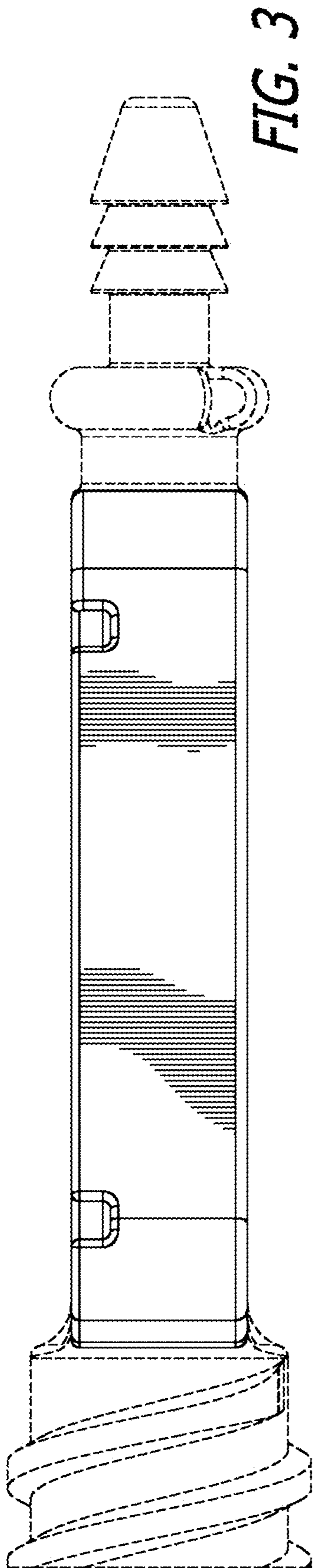


FIG. 3

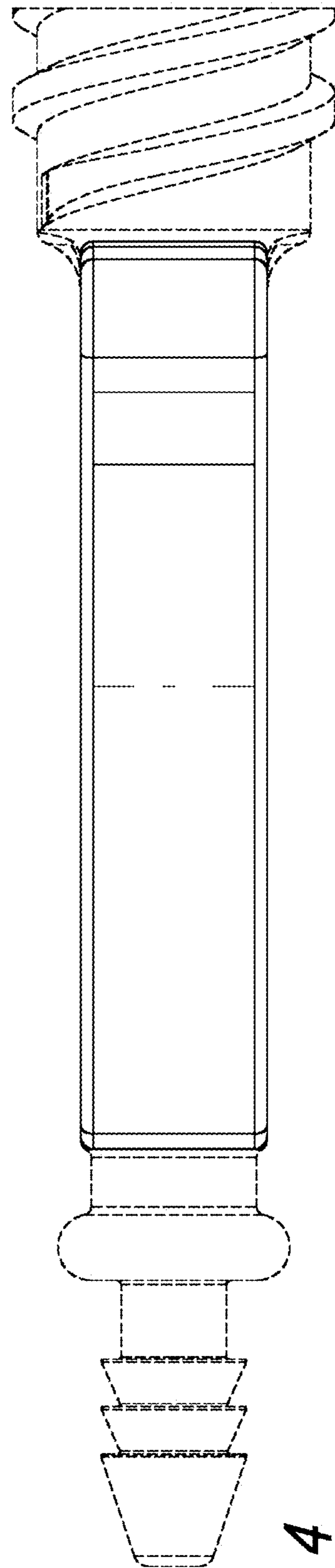


FIG. 4

FIG. 5

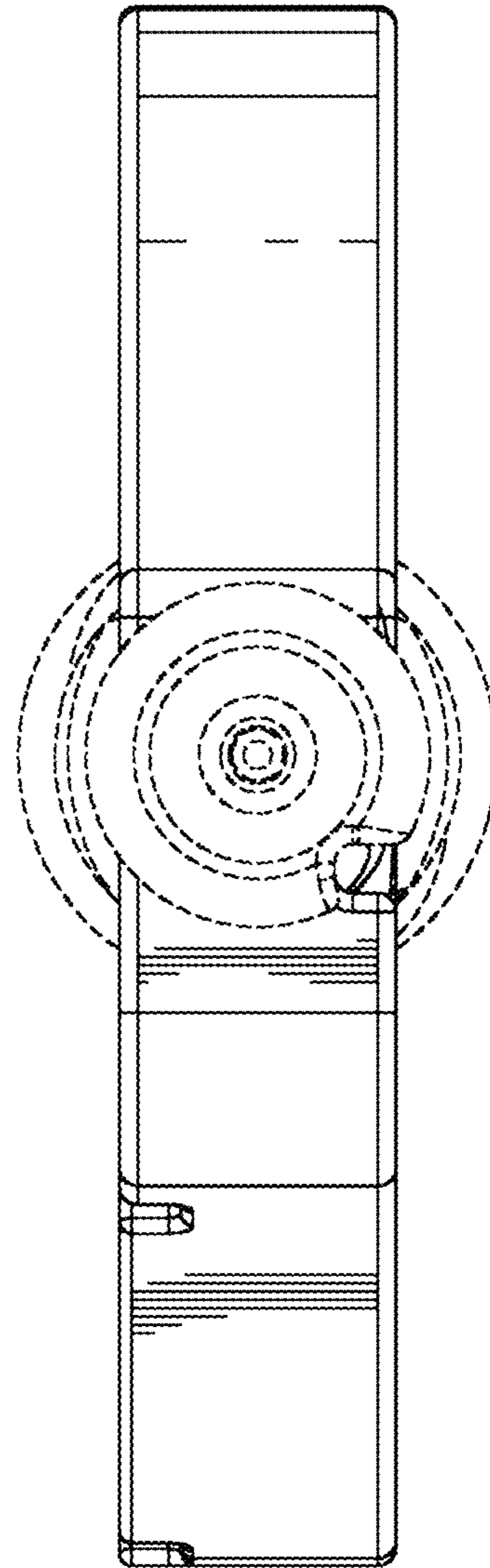
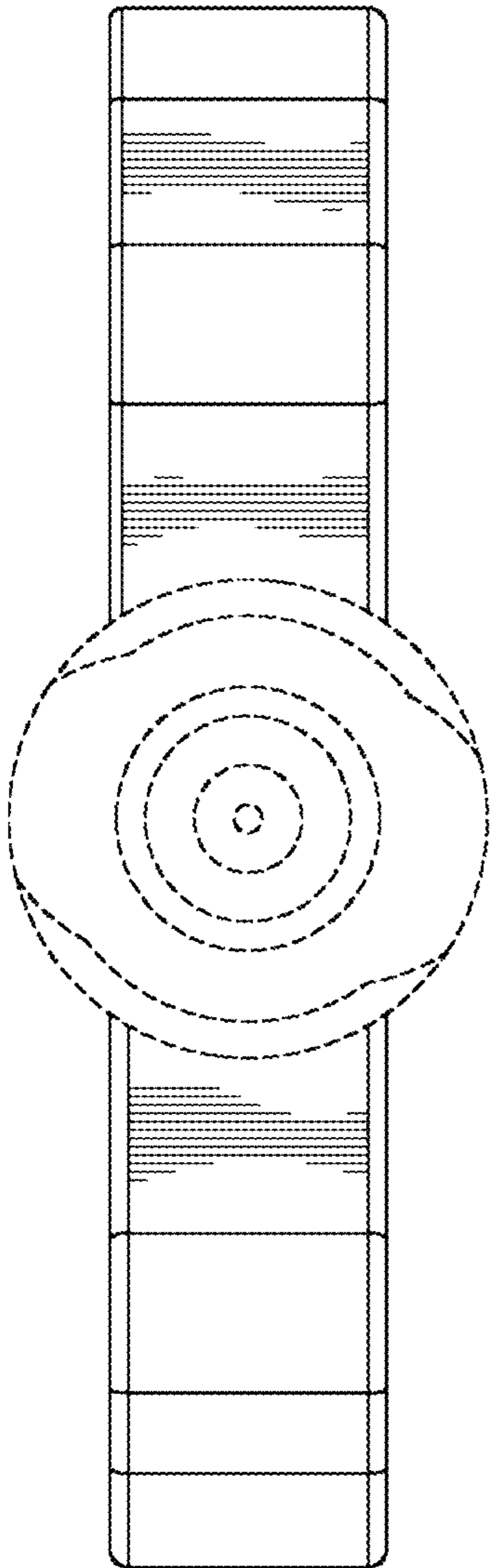


FIG. 6

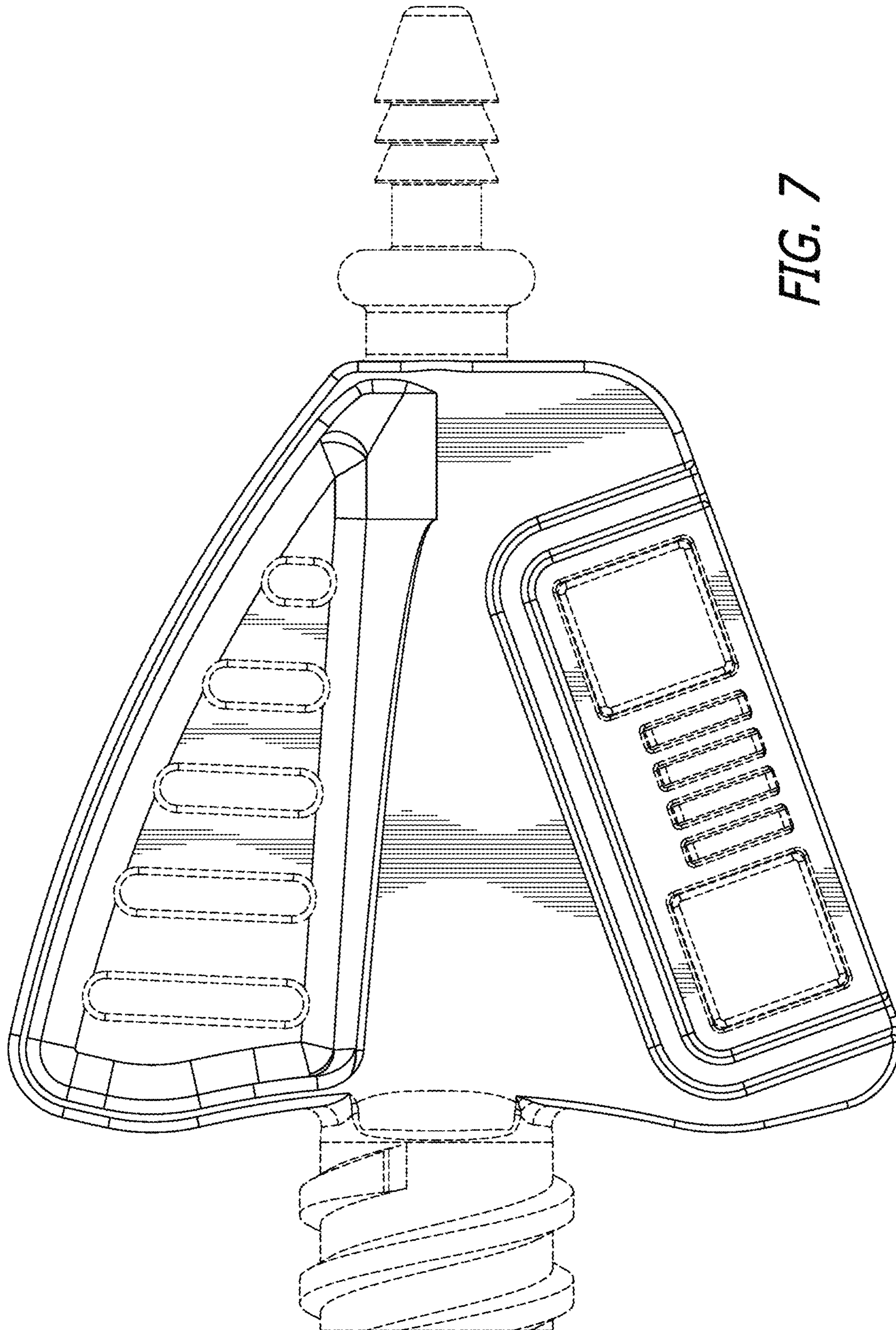


FIG. 7

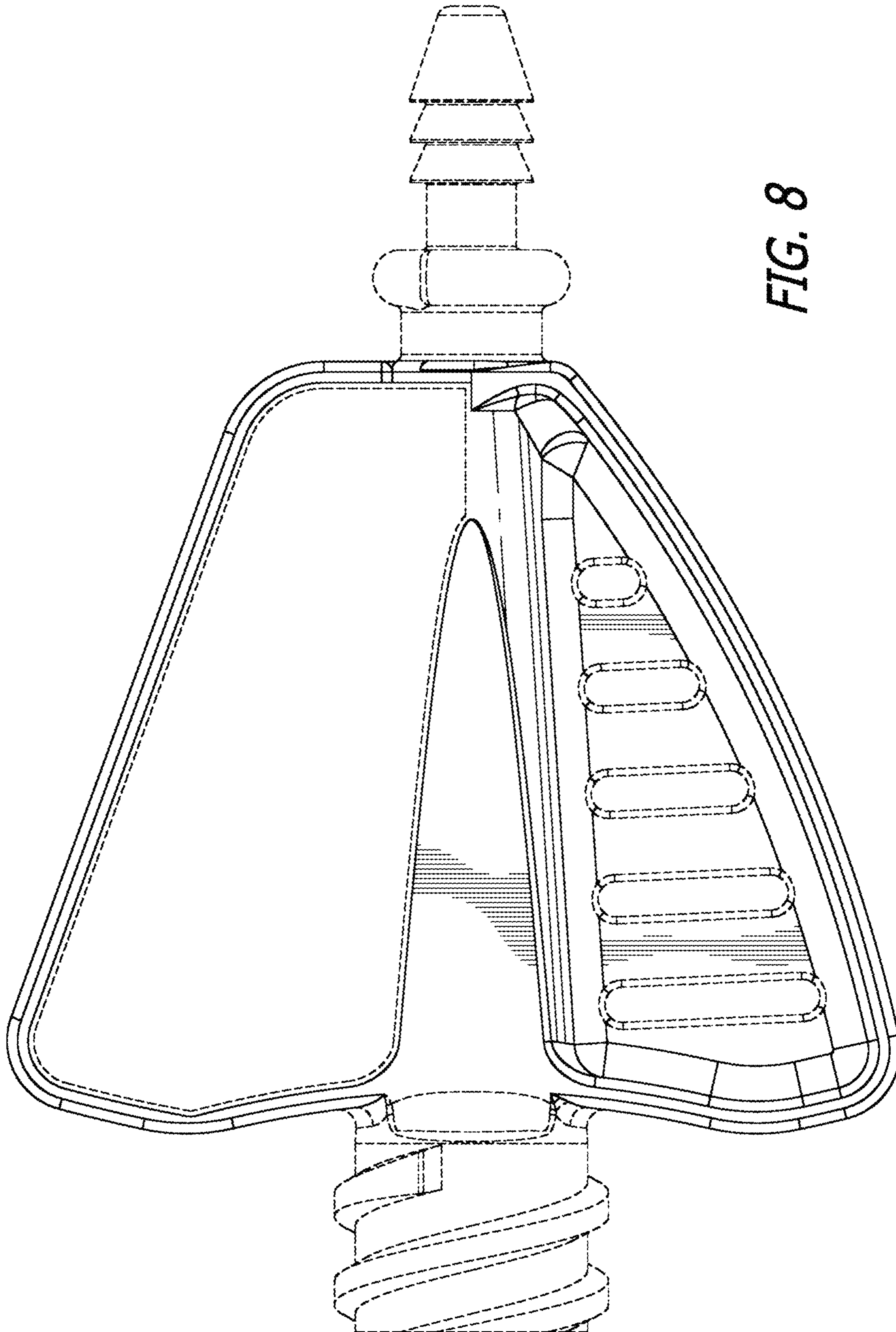


FIG. 8