



US00D892319S

(12) **United States Design Patent**
Park et al.

(10) **Patent No.:** **US D892,319 S**

(45) **Date of Patent:** **** Aug. 4, 2020**

- (54) **INTRAVENOUS PRIMING CAP**
- (71) Applicant: **CareFusion 303, Inc.**, San Diego, CA (US)
- (72) Inventors: **Soon Park**, Cypress, CA (US);
Siddarth K. Shevgoor, Mission Viejo, CA (US); **Peter Ma**, Shanghai (CN);
Jiagui Li, Shanghai (CN)
- (73) Assignee: **CareFusion 303, Inc.**, San Diego, CA (US)

D720,452 S *	12/2014	Jordan	D24/130
D751,192 S *	3/2016	She	D24/127
D768,850 S *	10/2016	Rozwadowski	D24/130
D768,852 S *	10/2016	Rozwadowski	D24/130
D777,317 S *	1/2017	Soual	D24/112
D781,417 S *	3/2017	Ingram	D24/127
D787,053 S *	5/2017	Huang	D24/130
D787,669 S *	5/2017	Huang	D24/130
D791,938 S *	7/2017	Becker	D24/129
D792,584 S *	7/2017	Ingram	D24/127
D792,586 S *	7/2017	Becker	D24/129
D797,927 S *	9/2017	Schuessler	D24/129
D799,032 S *	10/2017	Becker	D24/129
D804,023 S *	11/2017	Huang	D24/130

(Continued)

(**) Term: **15 Years**

Primary Examiner — Nathan M Johnston

(21) Appl. No.: **29/662,072**

(74) *Attorney, Agent, or Firm* — Morgan, Lewis & Bockius LLP

(22) Filed: **Aug. 31, 2018**

(51) **LOC (12) Cl.** **24-02**

(52) **U.S. Cl.**
USPC **D24/129**

(58) **Field of Classification Search**
USPC D24/127–131, 112–114, 133, 186;
606/181, 185; 604/264, 523–528, 272,
604/187, 158, 164.01–164.11, 181, 184,
604/227; 600/101, 139, 143;
128/200.24, 207.14, 207.15
CPC A61M 39/20; A61M 5/1411; A61M 5/165;
A61M 5/16813; A61M 5/385; A61M
39/28; A61M 2005/1402; A61M 2205/584
See application file for complete search history.

(56) **References Cited**

U.S. PATENT DOCUMENTS

6,551,286 B1 *	4/2003	Claessens	A61M 5/3202 128/919
6,719,737 B2 *	4/2004	Kobayashi	A61M 5/3216 206/365
D667,951 S *	9/2012	Marshall	D24/130
D687,563 S *	8/2013	Tamura	D24/222
D693,467 S *	11/2013	Doucette	D24/162

(57) **CLAIM**

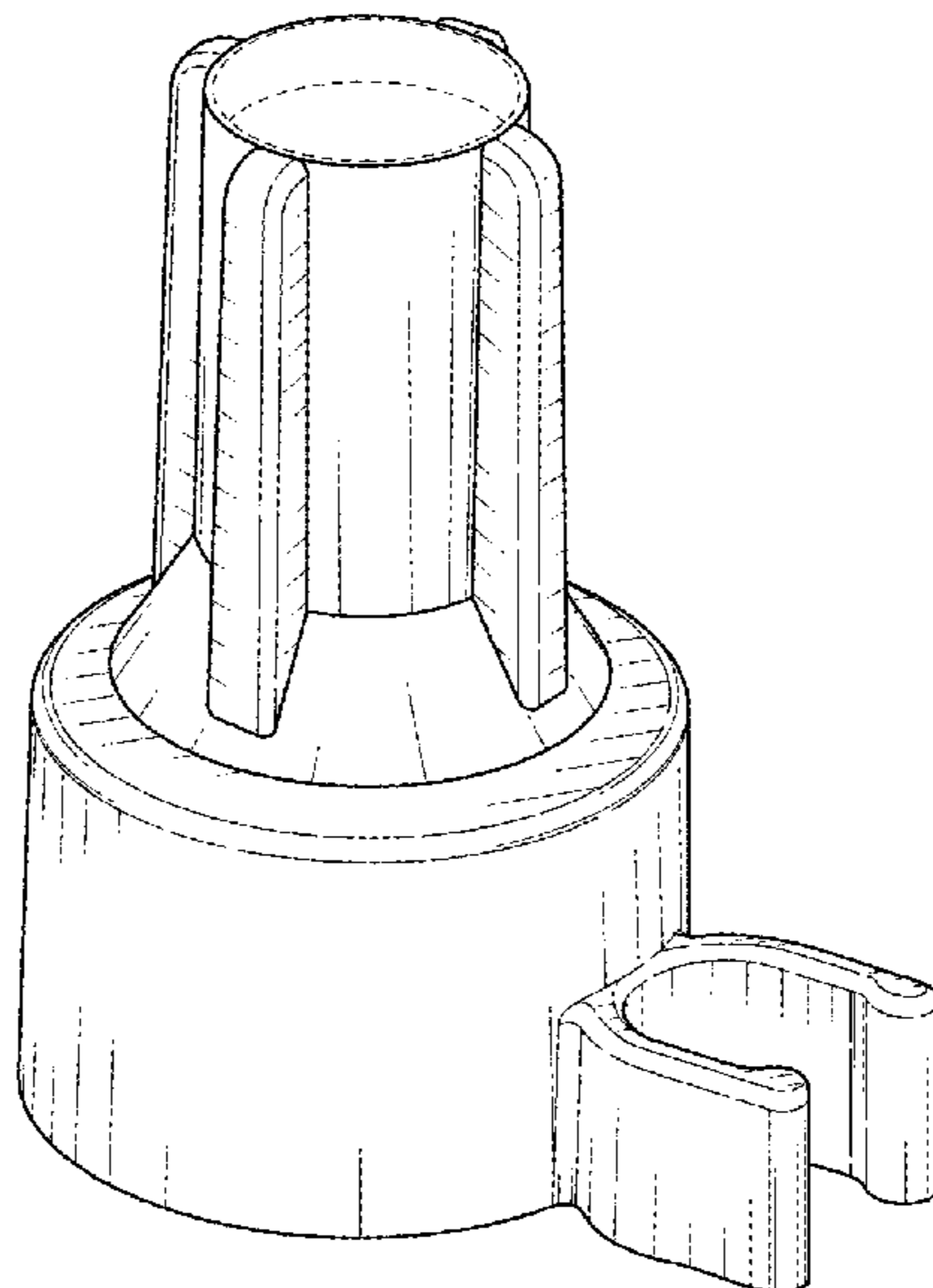
The ornamental design for an intravenous priming cap, as shown and described.

DESCRIPTION

FIG. 1 is a front, top perspective view of an intravenous priming cap showing our new design;
FIG. 2 is a right side elevation view of the intravenous priming cap of FIG. 1;
FIG. 3 is a left side elevation view of the intravenous priming cap of FIG. 1;
FIG. 4 is a rear elevation view of the intravenous priming cap of FIG. 1;
FIG. 5 is a front elevation view of the intravenous priming cap of FIG. 1;
FIG. 6 is a top plan view of the intravenous priming cap of FIG. 1; and,
FIG. 7 is a bottom plan view of the intravenous priming cap of FIG. 1.

The broken lines show portions of the design that form no part of the claimed design.

1 Claim, 3 Drawing Sheets



(56)

References Cited

U.S. PATENT DOCUMENTS

D805,193 S * 12/2017 Shoji D24/129
D825,749 S * 8/2018 Huang D24/130
D852,356 S * 6/2019 Steele D24/129
2003/0078548 A1* 4/2003 Kobayashi A61M 5/3216
604/263
2014/0188046 A1* 7/2014 DiBiasi A61M 5/3202
604/111
2014/0265319 A1* 9/2014 Clark A61M 39/1011
285/330
2017/0021110 A1* 1/2017 Srinivasan A61M 5/002

* cited by examiner

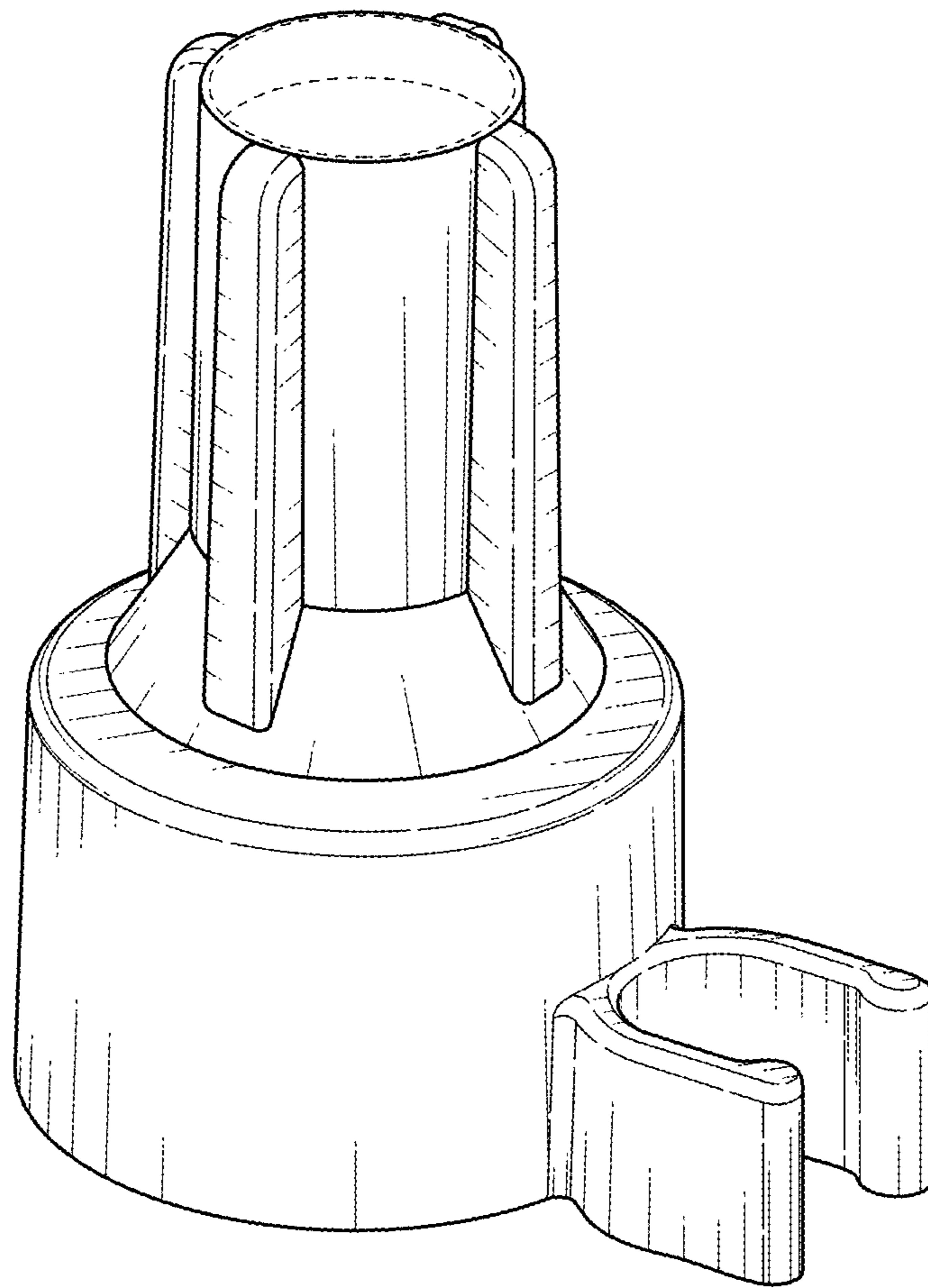


FIG. 1

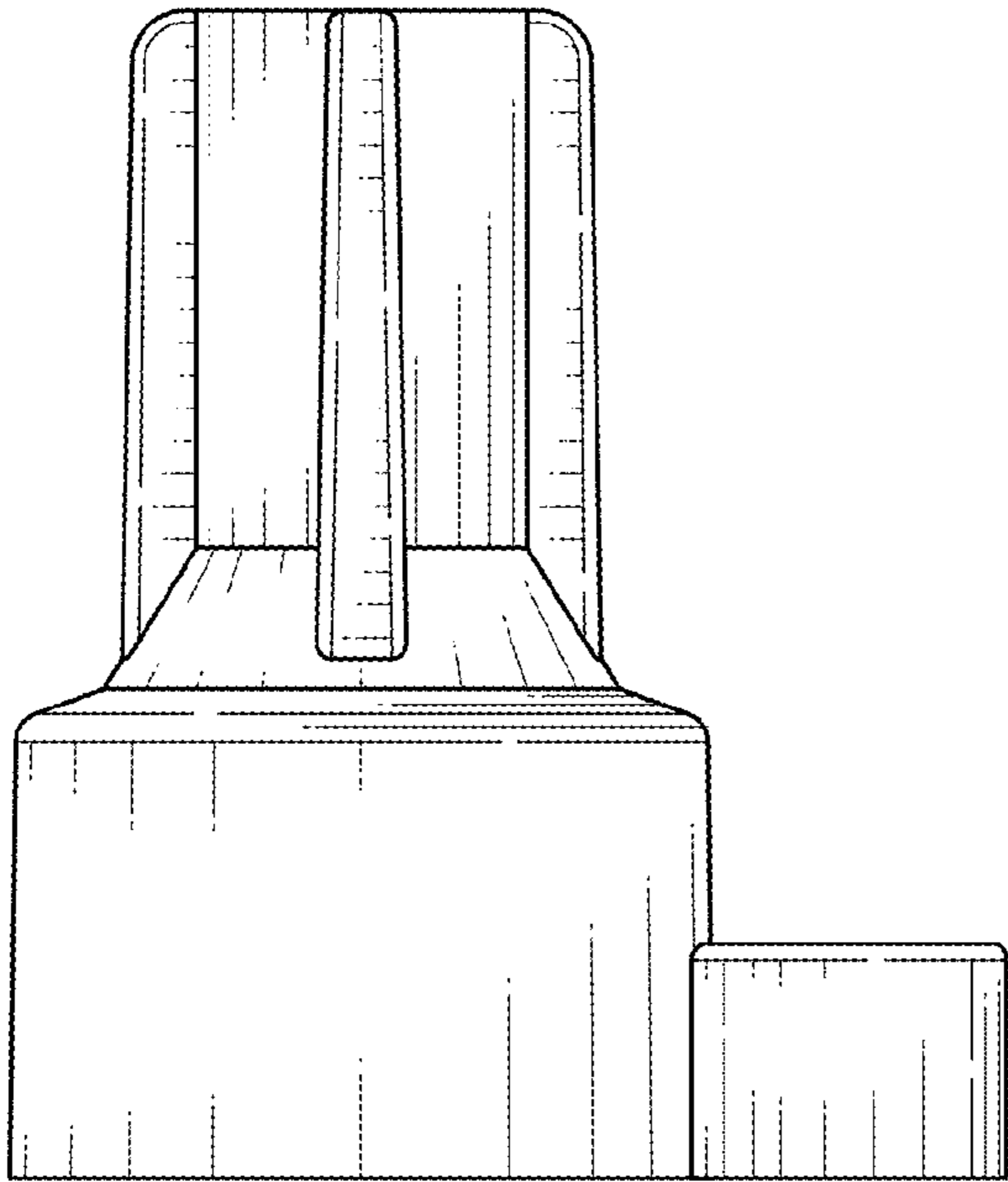


FIG. 2

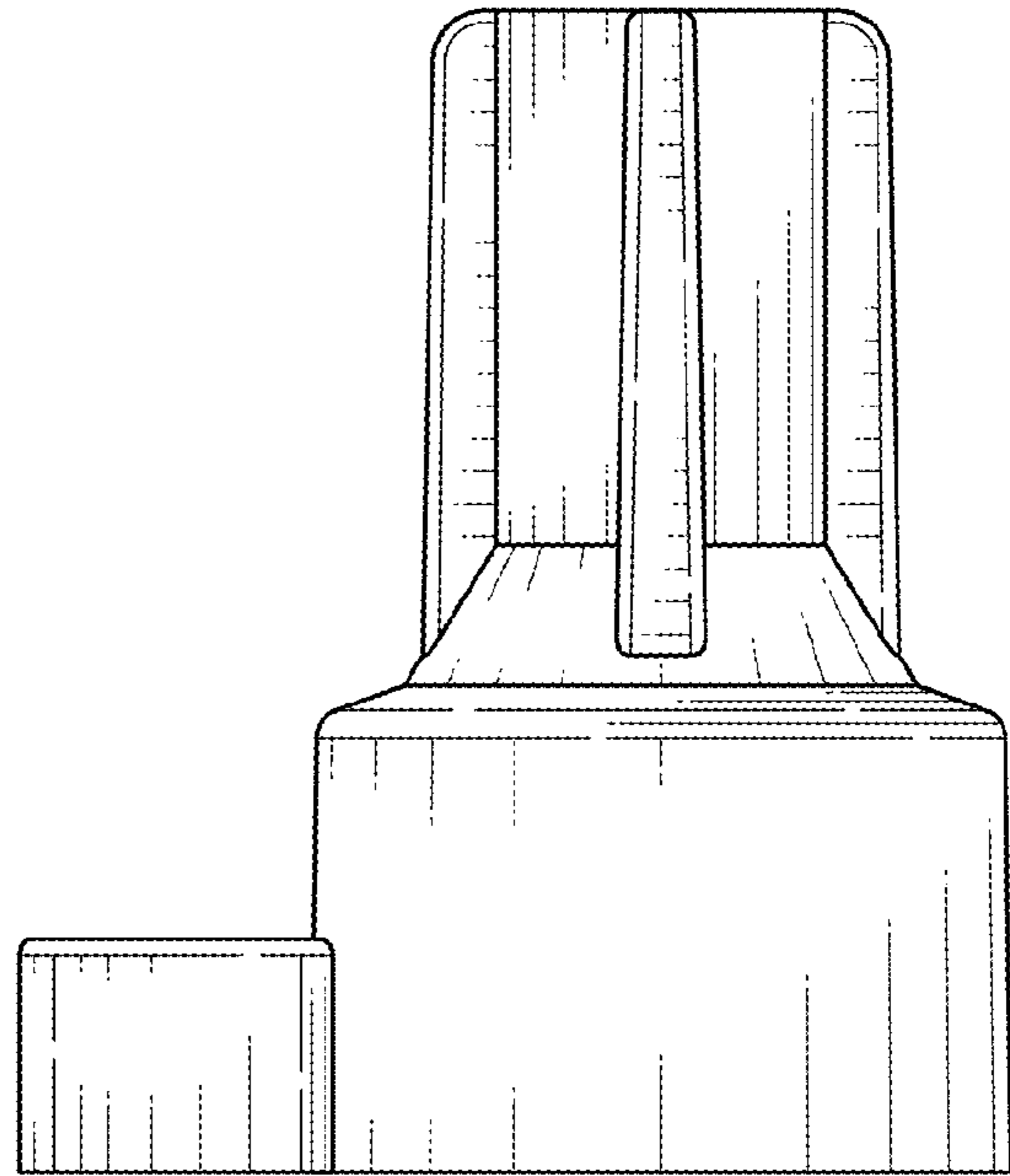


FIG. 3

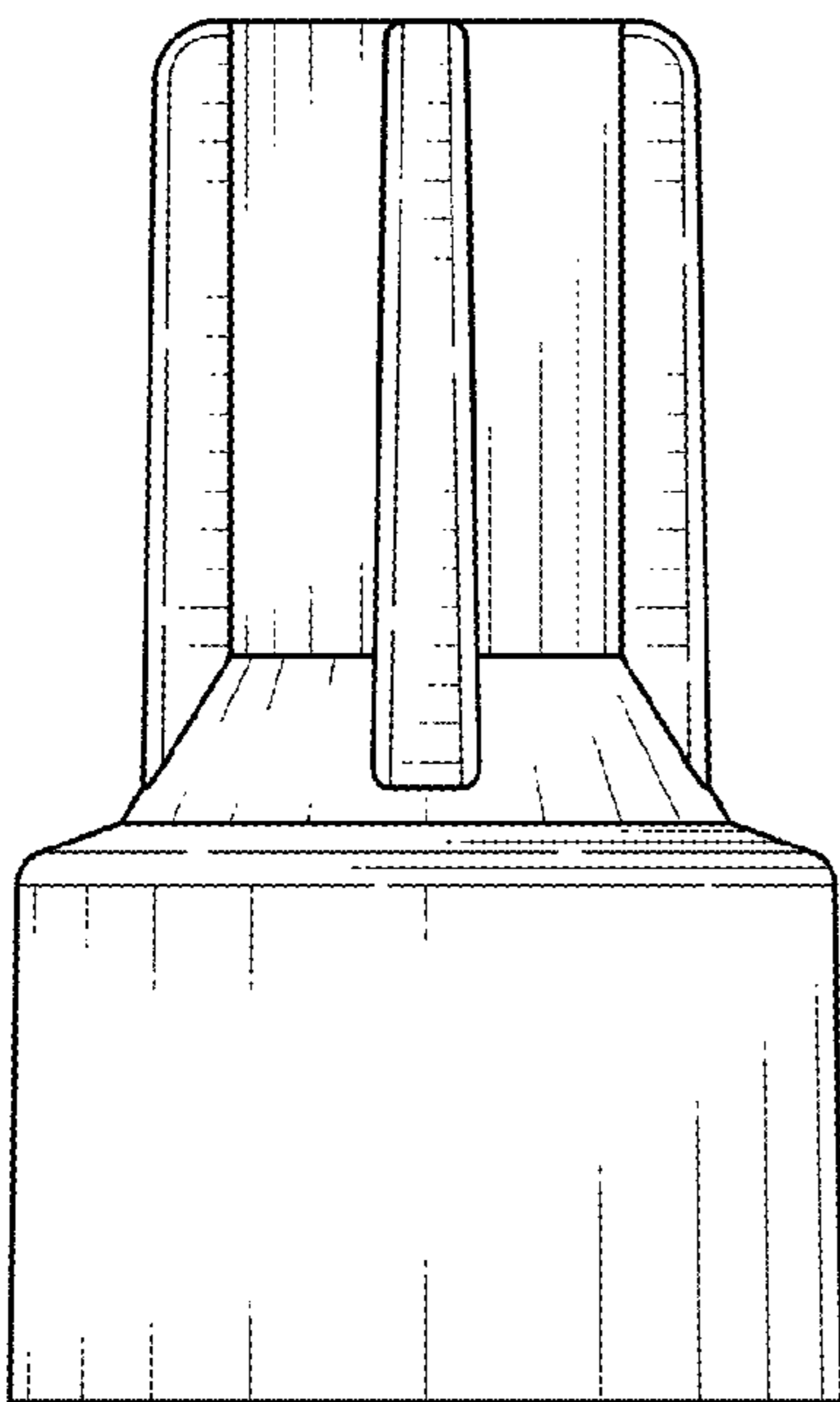


FIG. 4

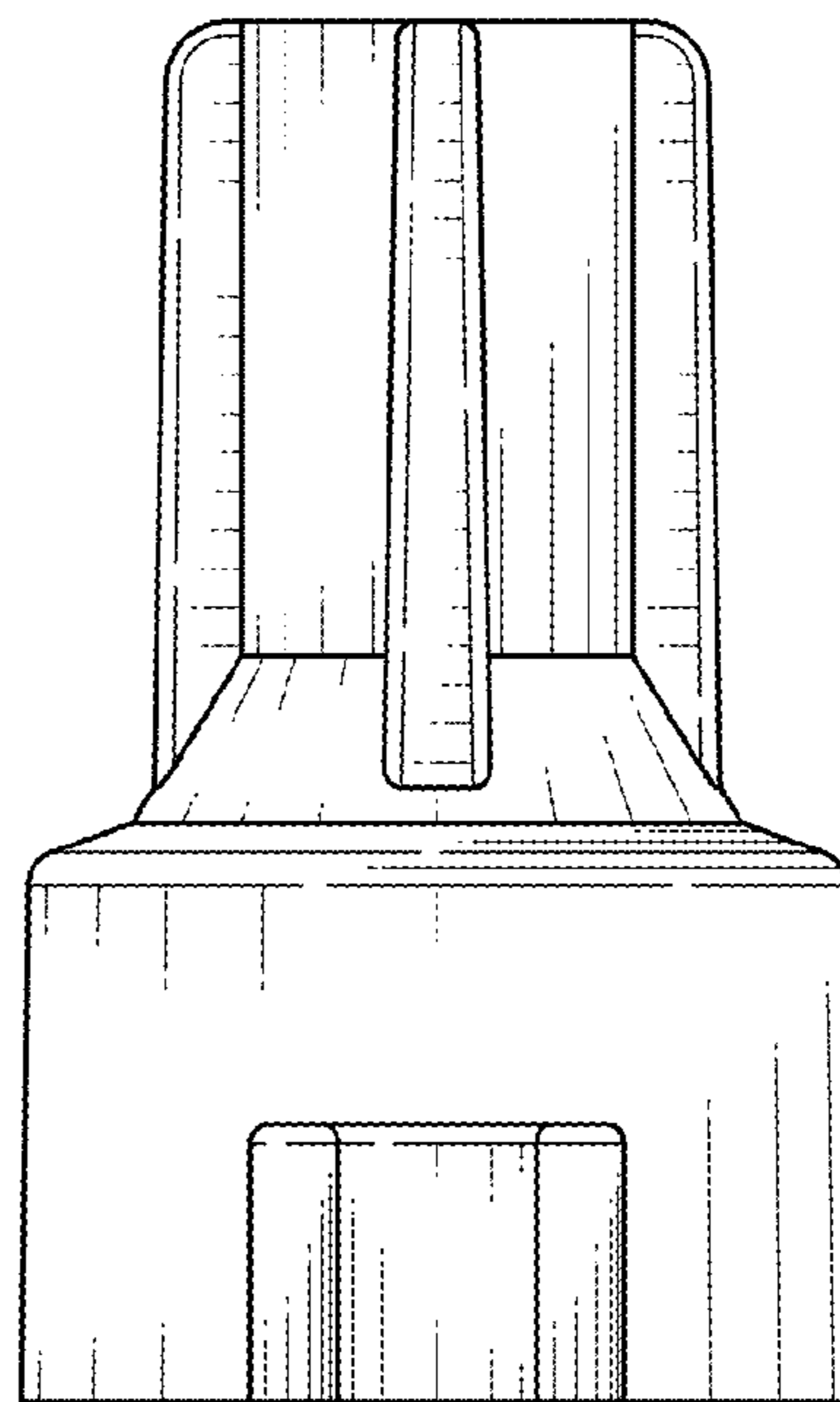


FIG. 5

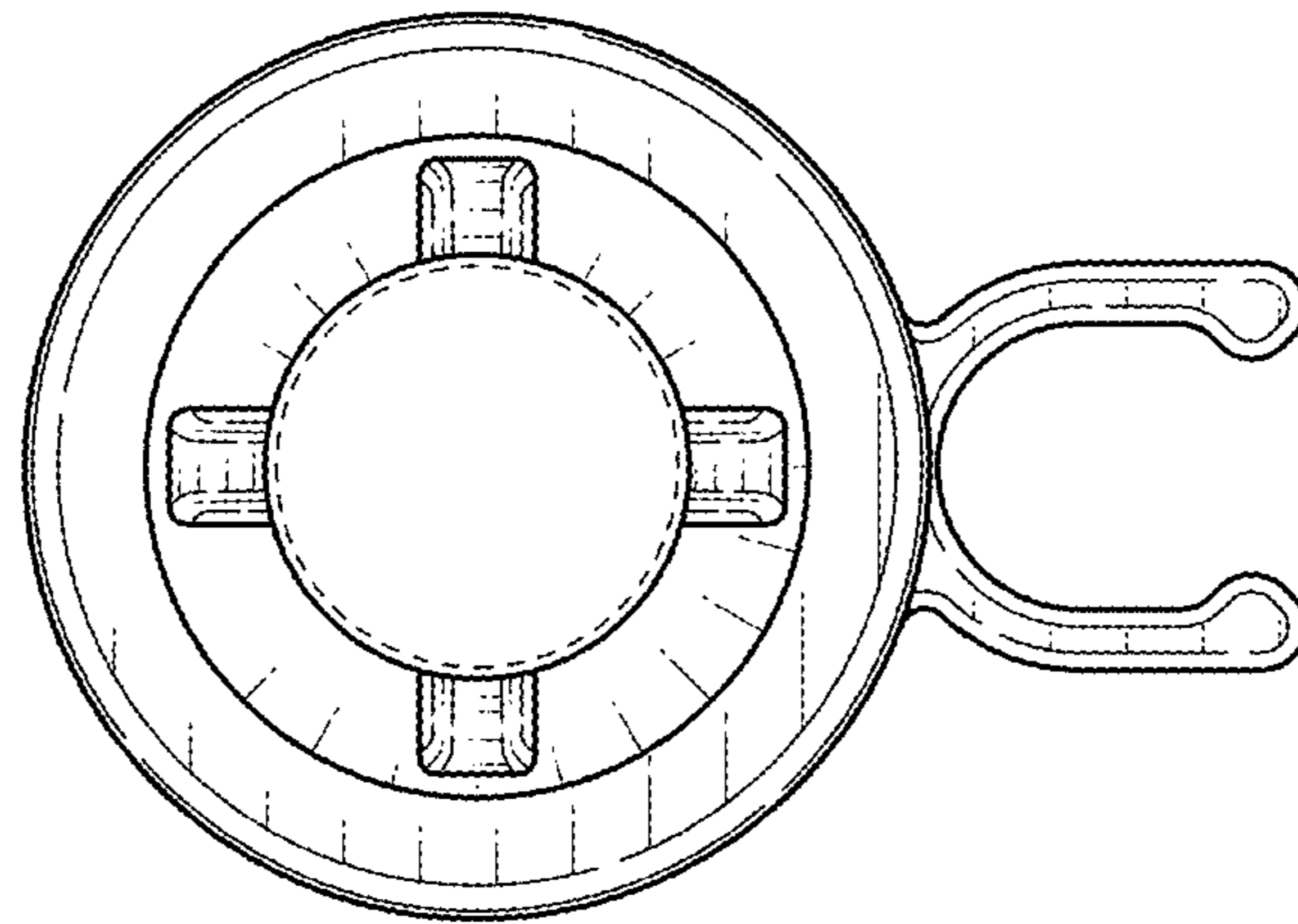


FIG. 6

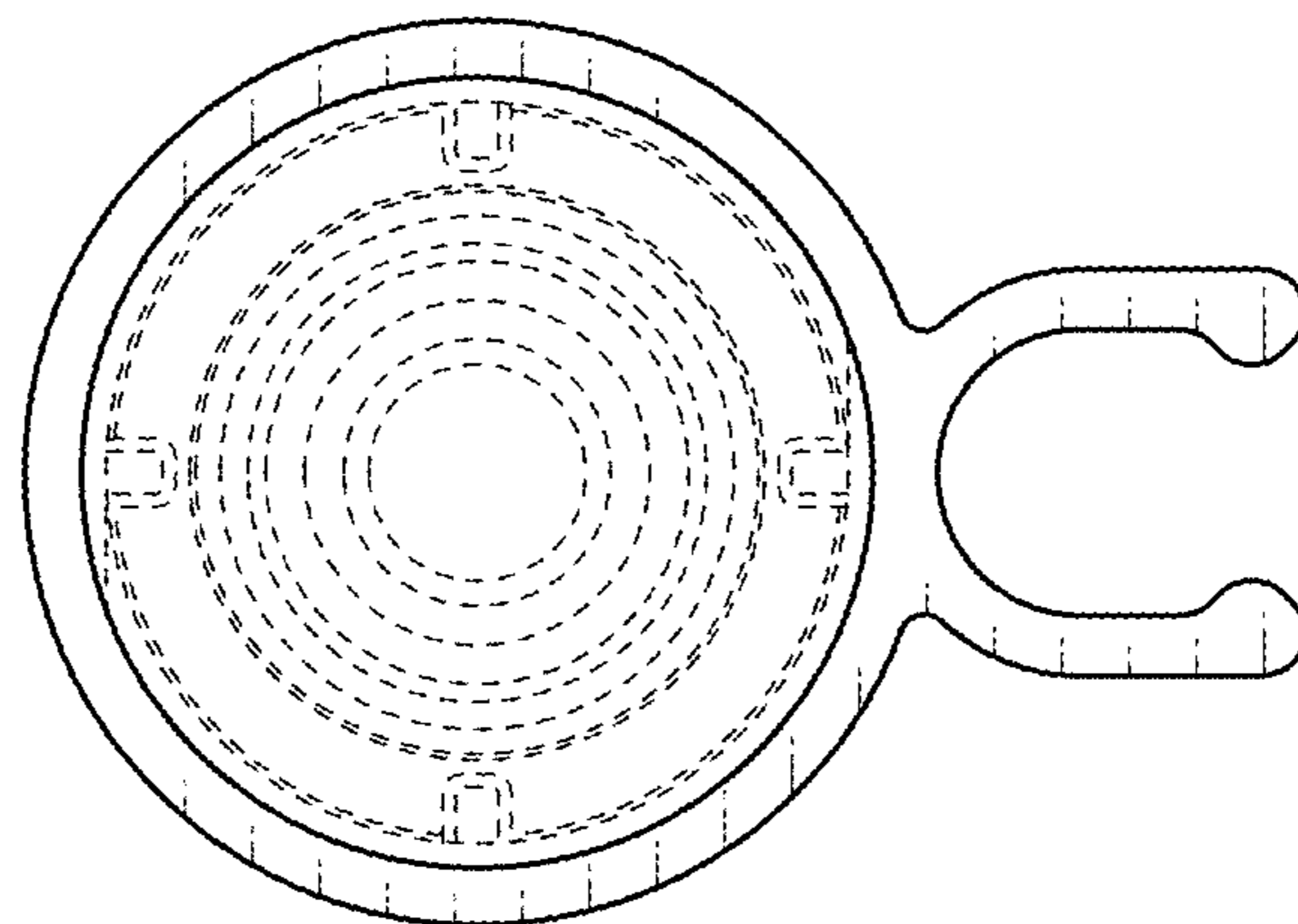


FIG. 7