



US00D892318S

(12) **United States Design Patent** (10) **Patent No.:** **US D892,318 S**
Kubon et al. (45) **Date of Patent:** **** Aug. 4, 2020**

(54) **COUPLING FOR PIPES AND HOSES**
(71) Applicant: **Scholly Fiberoptic GmbH**, Denzlingen (DE)
(72) Inventors: **Massimo Kubon**, Emmendingen (DE); **Jenny Doan**, Freiburg (DE); **Florian Schafer**, Emmendingen (DE); **Mateusz Cichosz**, Freiburg (DE); **Johannes Wickersheim**, Malterdingen (DE); **Jochen Dietrich**, Elzach (DE)
(73) Assignee: **Schölly Fiberoptic GmbH**, Denzlingen (DE)

(**) Term: **15 Years**
(21) Appl. No.: **29/621,609**
(22) Filed: **Oct. 10, 2017**

(30) **Foreign Application Priority Data**
Apr. 13, 2017 (EM) 003855766-0003
Apr. 13, 2017 (EM) 003855766-0008
(51) **LOC (12) Cl.** **24-02**
(52) **U.S. Cl.**
USPC **D24/129**
(58) **Field of Classification Search**
USPC D24/129; 606/181, 185; 604/264, 604/523-528, 272, 187, 158, 604/164.01-164.11, 181, 184, 227; 600/101, 139, 143; 128/200.24, 207.14, 128/207.15
CPC .. A61M 25/065; A61M 5/42; A61M 25/0612; A61M 25/00; A61M 39/00; A61M 27/00; A61M 25/0043; A61M 25/0067; A61M 25/0097; A61F 2/958
See application file for complete search history.

(56) **References Cited**
U.S. PATENT DOCUMENTS

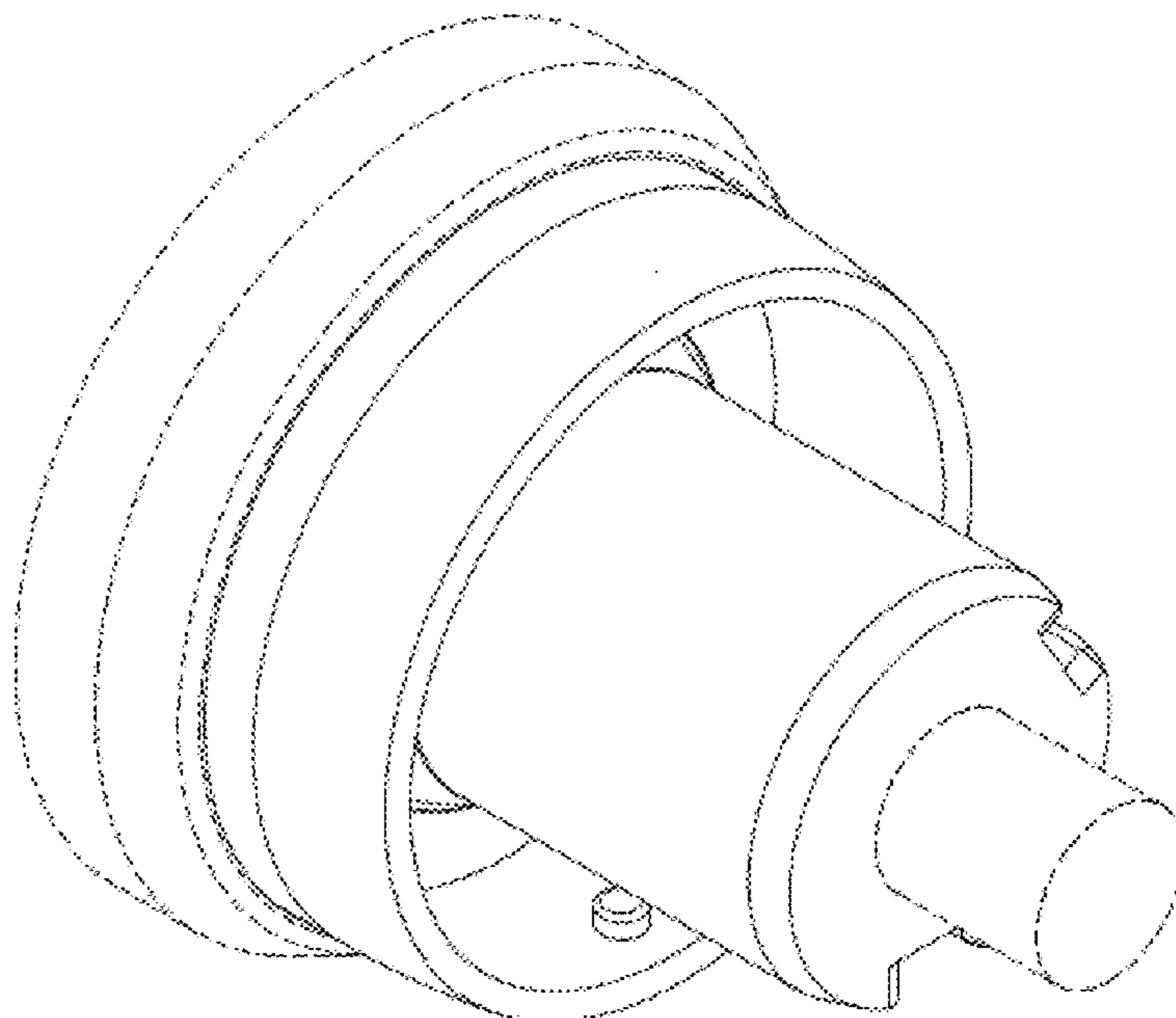
5,730,753	A *	3/1998	Morita	A61B 5/150022
					600/583
D625,003	S *	10/2010	Stephens	D24/129
8,246,605	B2 *	8/2012	Valaie	A61M 25/00
					604/533
D736,914	S *	8/2015	Schultz	D24/129
D750,775	S *	3/2016	Carrel	D24/130
D820,980	S *	6/2018	Maurice	D24/129
D830,523	S *	10/2018	Vranish	D23/262
D830,524	S *	10/2018	Vranish	D23/262
D834,712	S *	11/2018	Gulliver	D24/129
D838,350	S *	1/2019	Downs	F16L 37/0841
					D23/262
D838,363	S *	1/2019	Katagiri	D24/127
D841,499	S *	2/2019	Drewes	D10/81
D842,462	S *	3/2019	Guala	D24/129

* cited by examiner
Primary Examiner — David G Muller
(74) *Attorney, Agent, or Firm* — Volpe and Koenig, P.C.

(57) **CLAIM**
The ornamental design for a coupling for pipes and hoses, as shown and described.

DESCRIPTION
FIG. 1 is a front elevational view of a coupling for pipes and hoses in accordance with our design;
FIG. 2 is a right side elevational view thereof;
FIG. 3 is a left side elevational view thereof;
FIG. 4 is a bottom plan view thereof;
FIG. 5 is a top plan view thereof; and,
FIG. 6 is a perspective view thereof.
The broken lines represent unclaimed portions of the coupling for pipes and hoses that form no part of the claimed design.

1 Claim, 6 Drawing Sheets



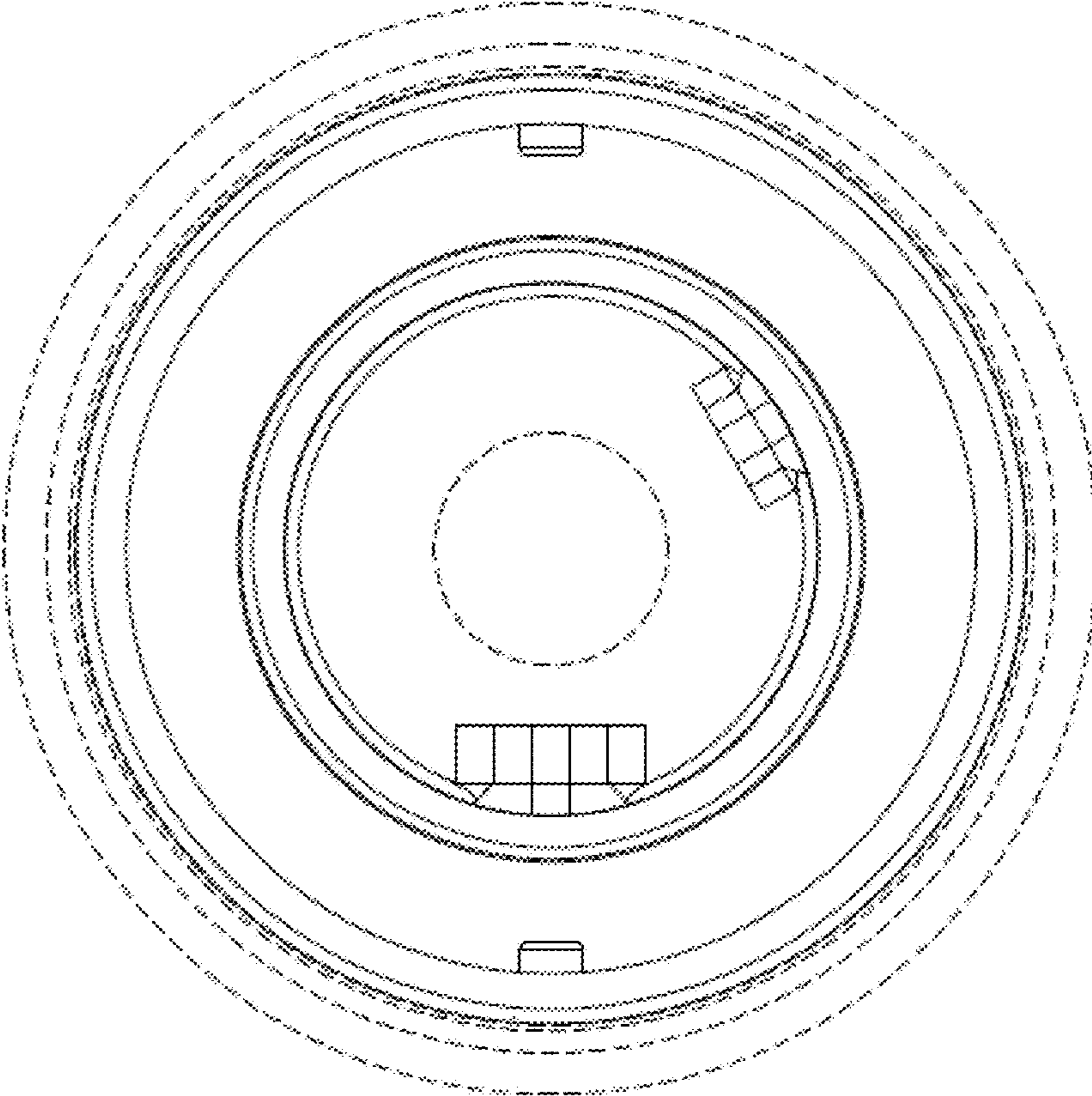


Fig.1

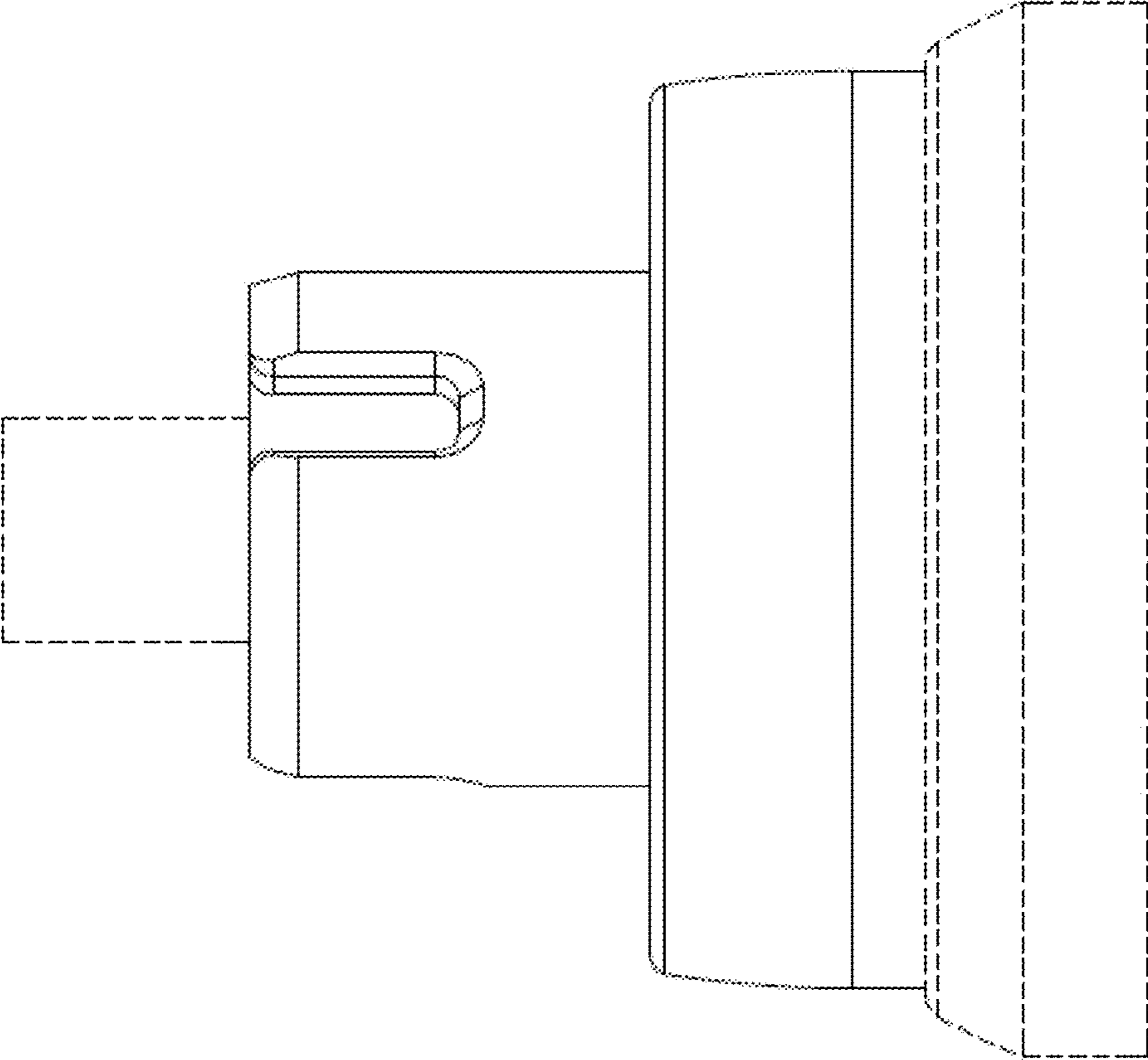


Fig. 2

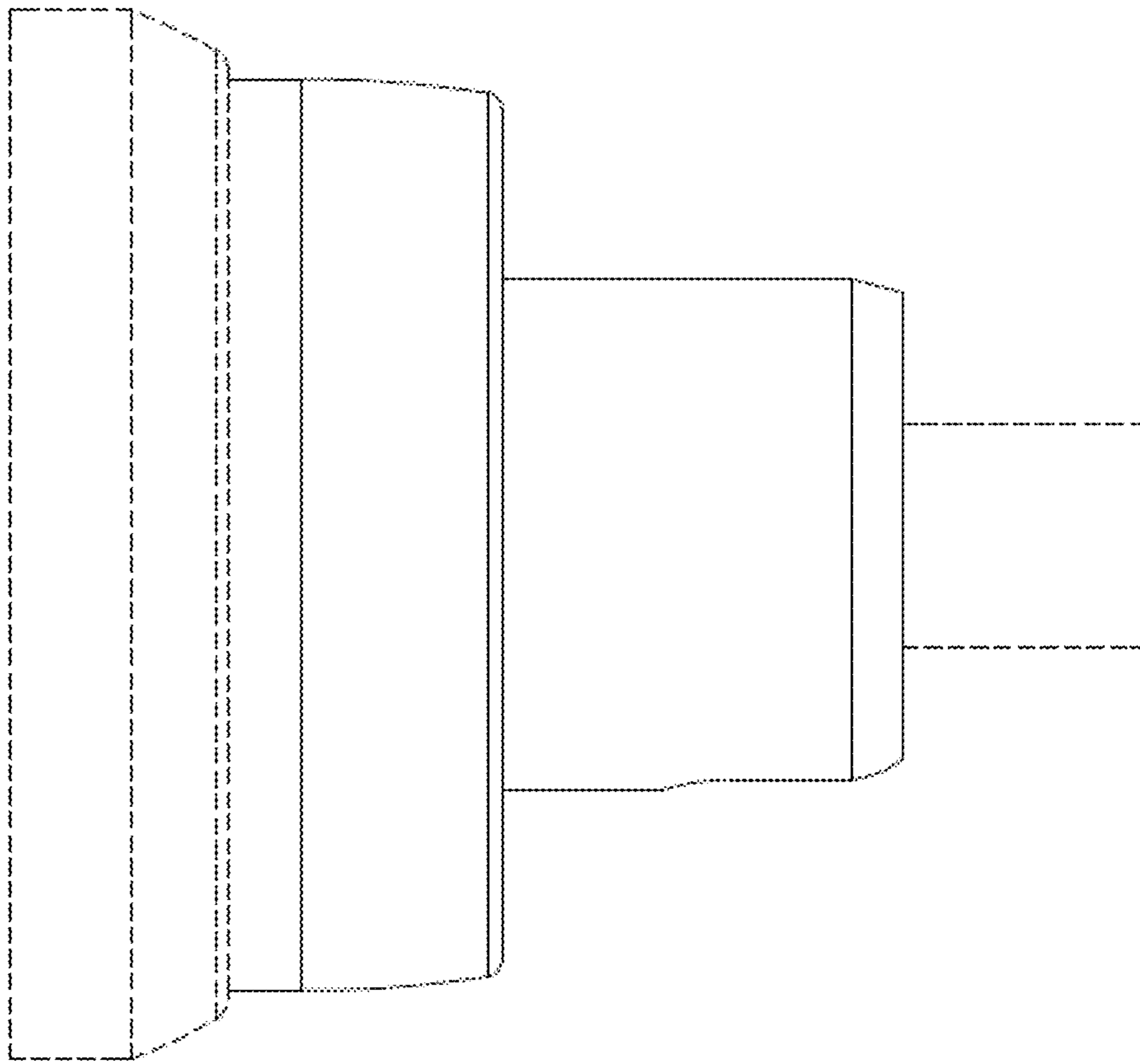


Fig. 3

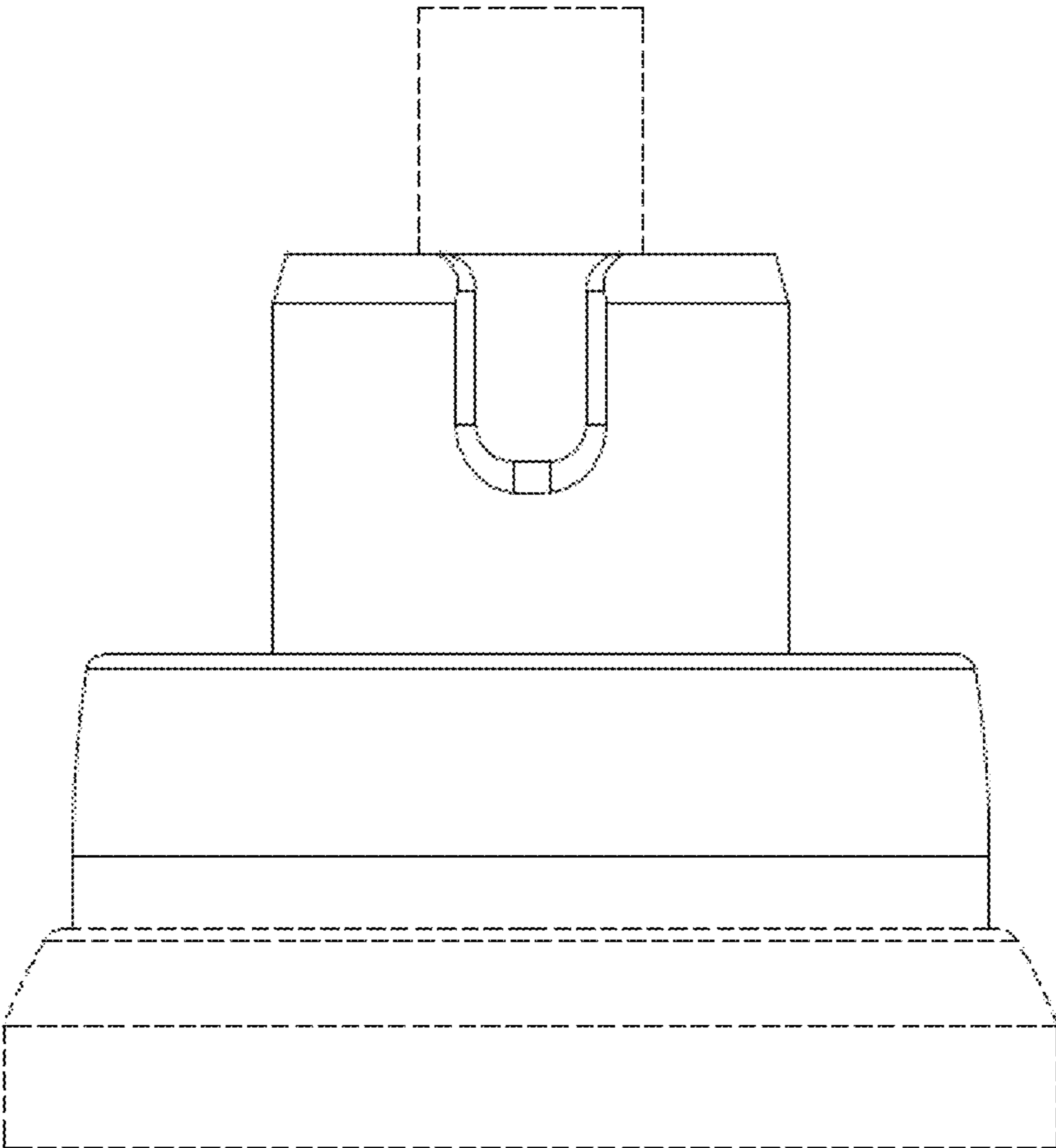


Fig. 4

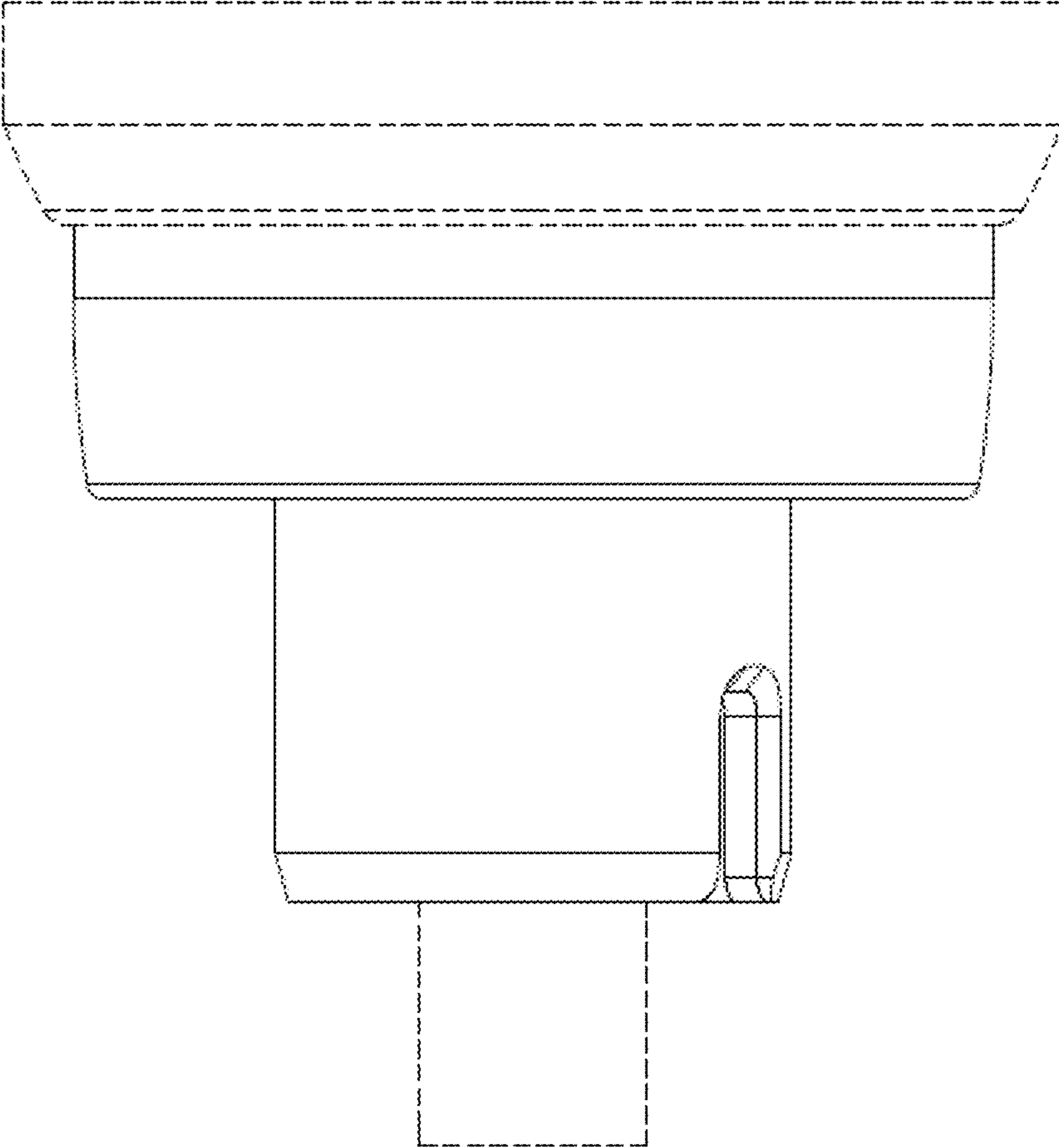


Fig. 5

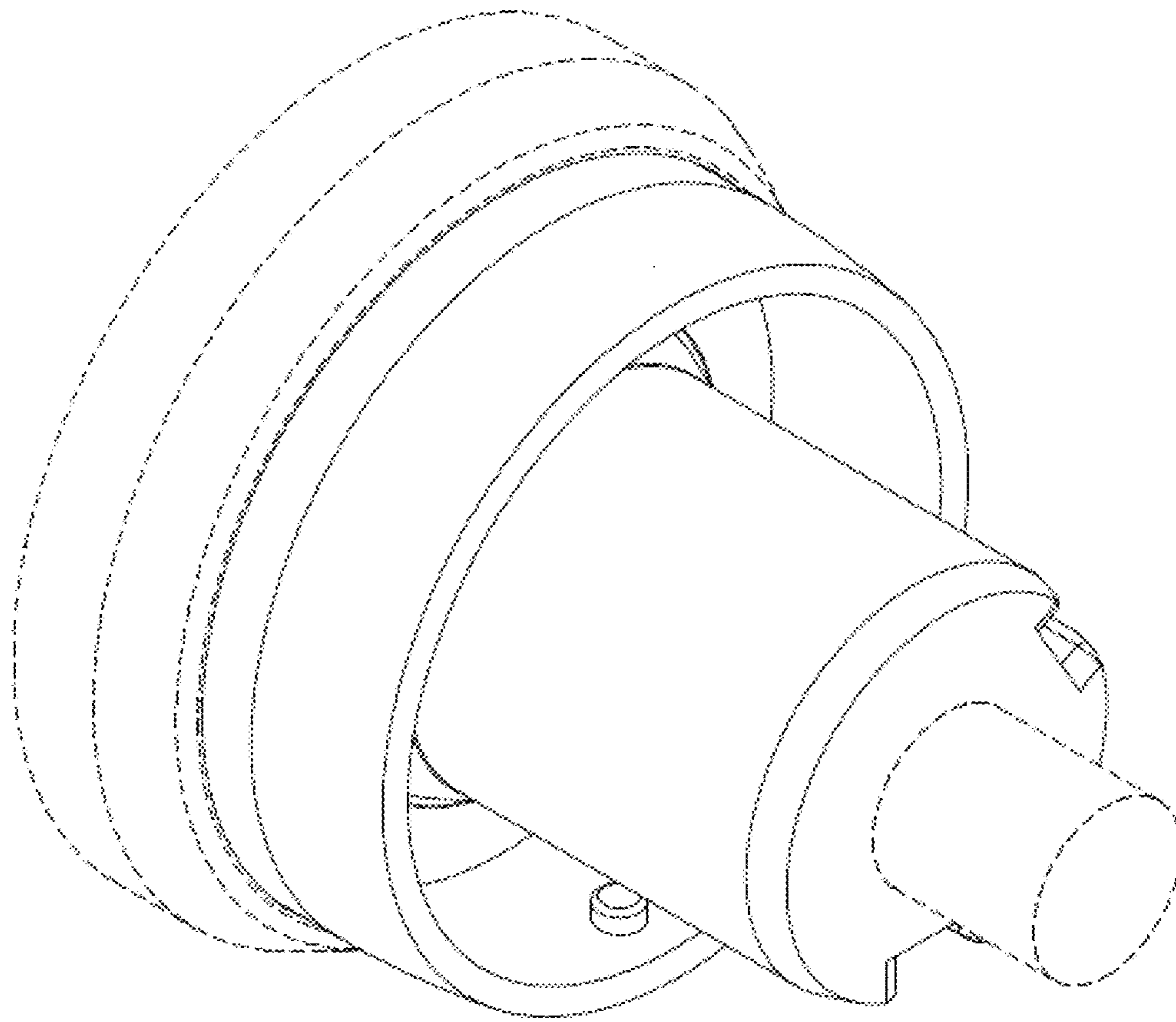


Fig. 6