

US00D892315S

(12) **United States Design Patent** (10) **Patent No.:** **US D892,315 S**
Airy (45) **Date of Patent:** **** Aug. 4, 2020**

- (54) **ANTI-SPLASH VOMIT RECEPTACLE**
- (71) Applicant: **Puke Bucket LLC.**, Denver, CO (US)
- (72) Inventor: **William Orin Airy**, Denver, CO (US)
- (73) Assignee: **Puke Bucket LLC**, Denver, CO (US)
- (**) Term: **15 Years**
- (21) Appl. No.: **29/645,312**
- (22) Filed: **Apr. 25, 2018**
- (51) **LOC (12) Cl.** **24-02**
- (52) **U.S. Cl.**
USPC **D24/121**
- (58) **Field of Classification Search**
USPC D24/121-123, 117, 224; D23/276, 295,
D23/302, 274, 309, 200; 4/450-460,
4/144.1-144.4, DIG. 5
CPC A61G 9/00; A61G 9/006; A61G 9/003
See application file for complete search history.

- D605,754 S * 12/2009 Nelson D24/121
- D695,416 S * 12/2013 Saliaris D24/224
- D710,701 S * 8/2014 Lai D24/123
- D711,195 S * 8/2014 Cornu D10/46.2
- D847,329 S * 4/2019 Schlueter A61J 19/00
D24/123

* cited by examiner

Primary Examiner — David G Muller
(74) *Attorney, Agent, or Firm* — Hall Estill Law Firm

(57) **CLAIM**

The ornamental design for a anti-splash vomit receptacle, as shown and described.

DESCRIPTION

- FIG. 1: A frontal perspective view of the anti-splash vomit receptacle.
- FIG. 2: A direct frontal view of the anti-splash vomit receptacle.
- FIG. 3: A rear view of the anti-splash vomit receptacle.
- FIG. 4: A lateral view of the anti-splash vomit receptacle.
- FIG. 5: An opposing lateral view of the anti-splash vomit receptacle.
- FIG. 6: A top-down view of the anti-splash vomit receptacle.
- FIG. 7: A bottom-up view of the anti-splash vomit receptacle.
- FIG. 8: A cross-sectional front perspective view of the anti-splash vomit receptacle, with the full anti-splashback unit; and,
- FIG. 9: An anti-splashback unit for inclusion within the anti-splash vomit receptacle.

(56) **References Cited**

U.S. PATENT DOCUMENTS

- D343,451 S * 1/1994 Voychehovski D24/117
- D377,091 S * 12/1996 Scott, Sr. D24/121
- D395,503 S * 6/1998 Kushnir D24/121
- 5,920,916 A * 7/1999 Norton A61B 10/007
4/144.3
- 6,098,210 A * 8/2000 Broden A47K 11/12
4/144.1
- D436,166 S * 1/2001 Berkey D24/122
- D478,166 S * 8/2003 Nilstein D24/122
- D543,274 S * 5/2007 Takahashi D24/122

1 Claim, 9 Drawing Sheets

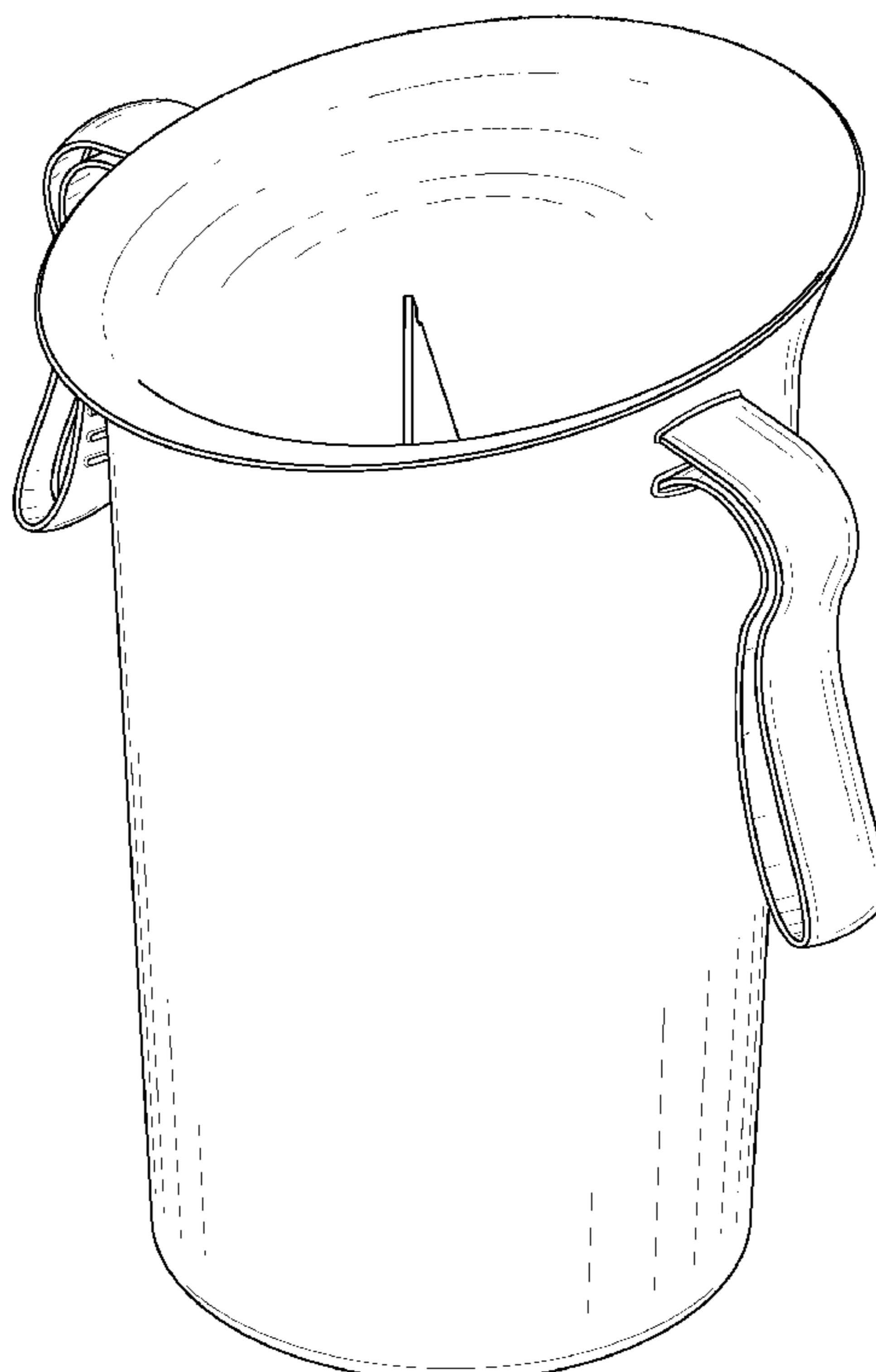




FIG. 1

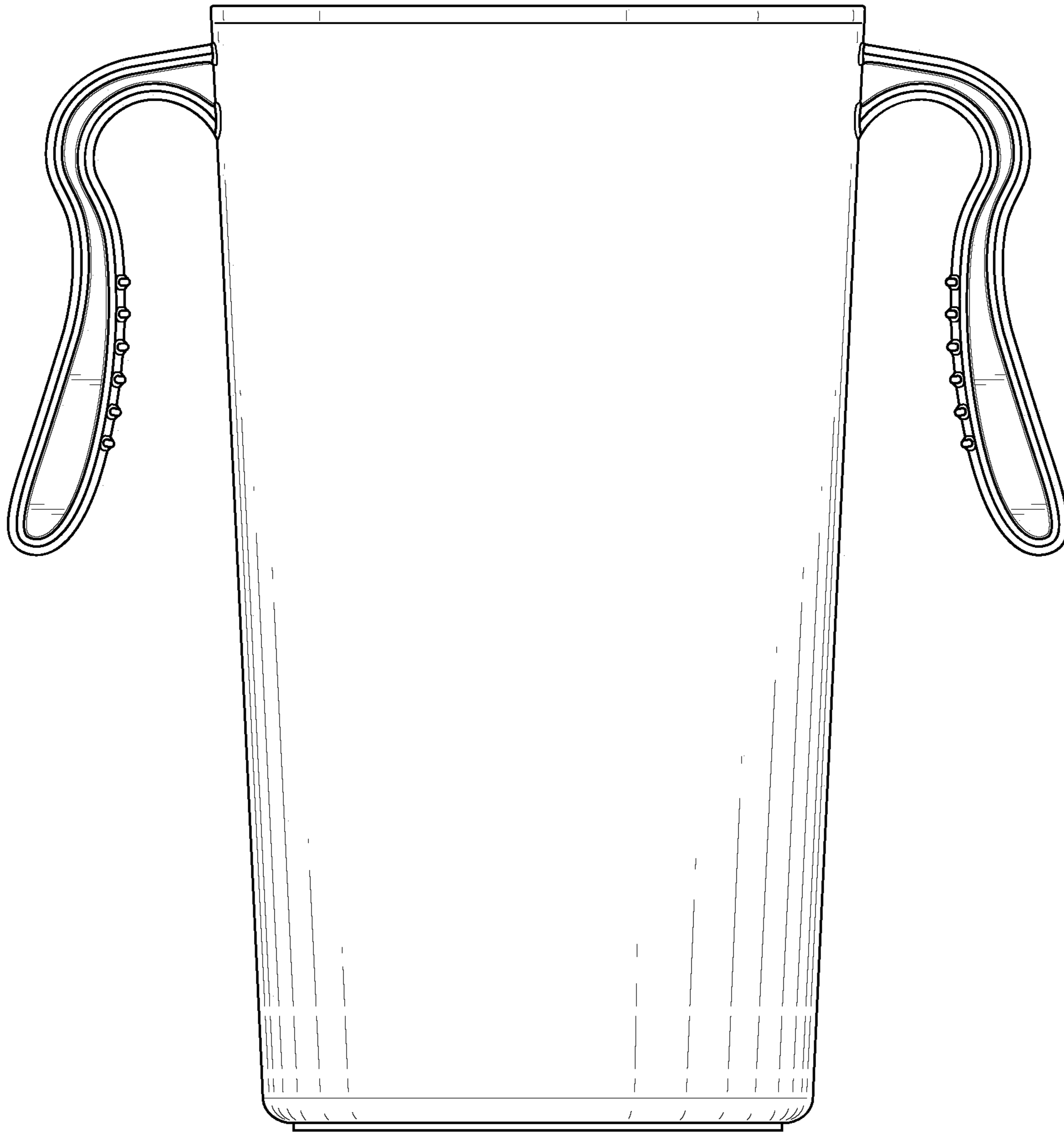


FIG. 2

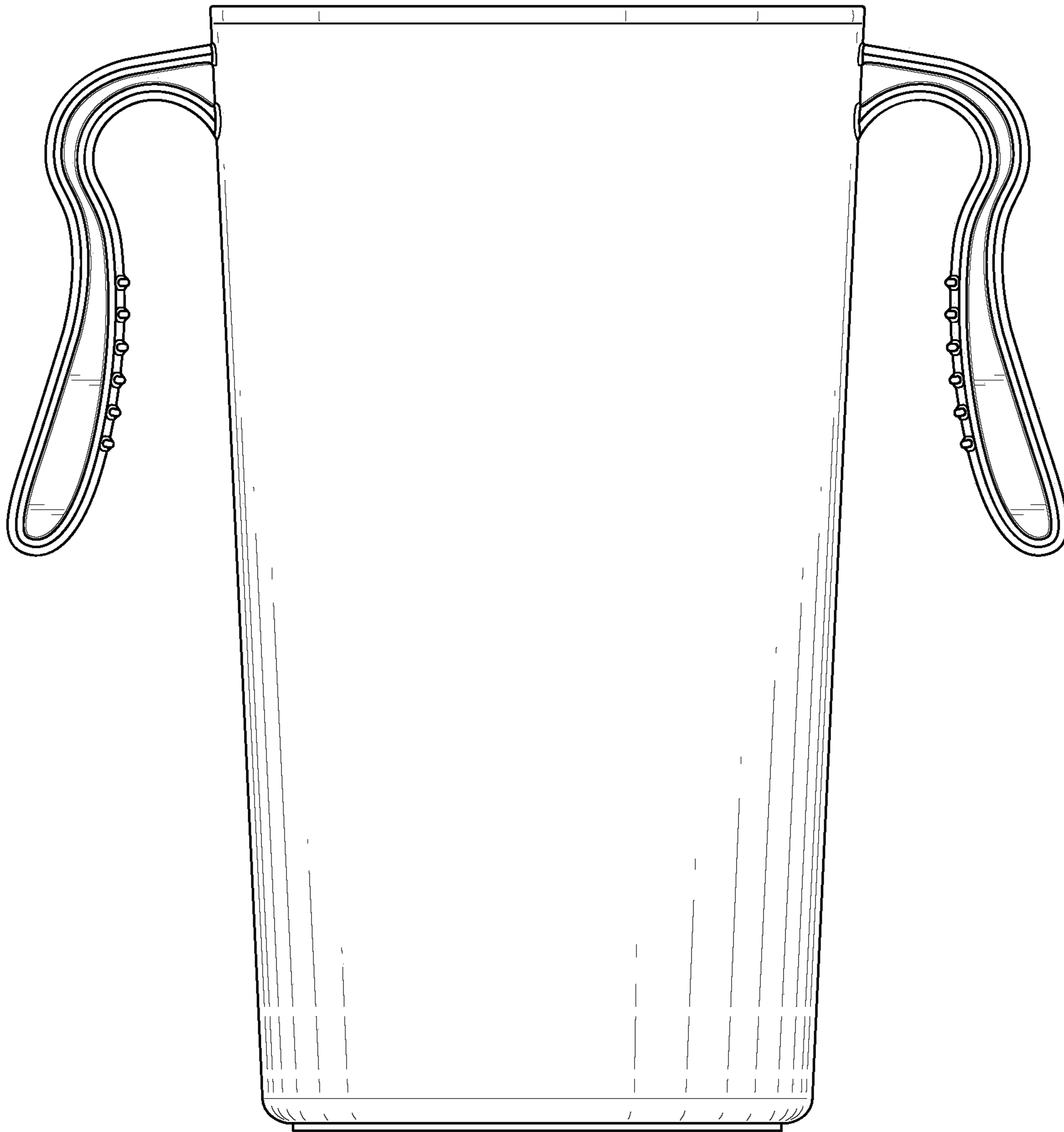


FIG. 3

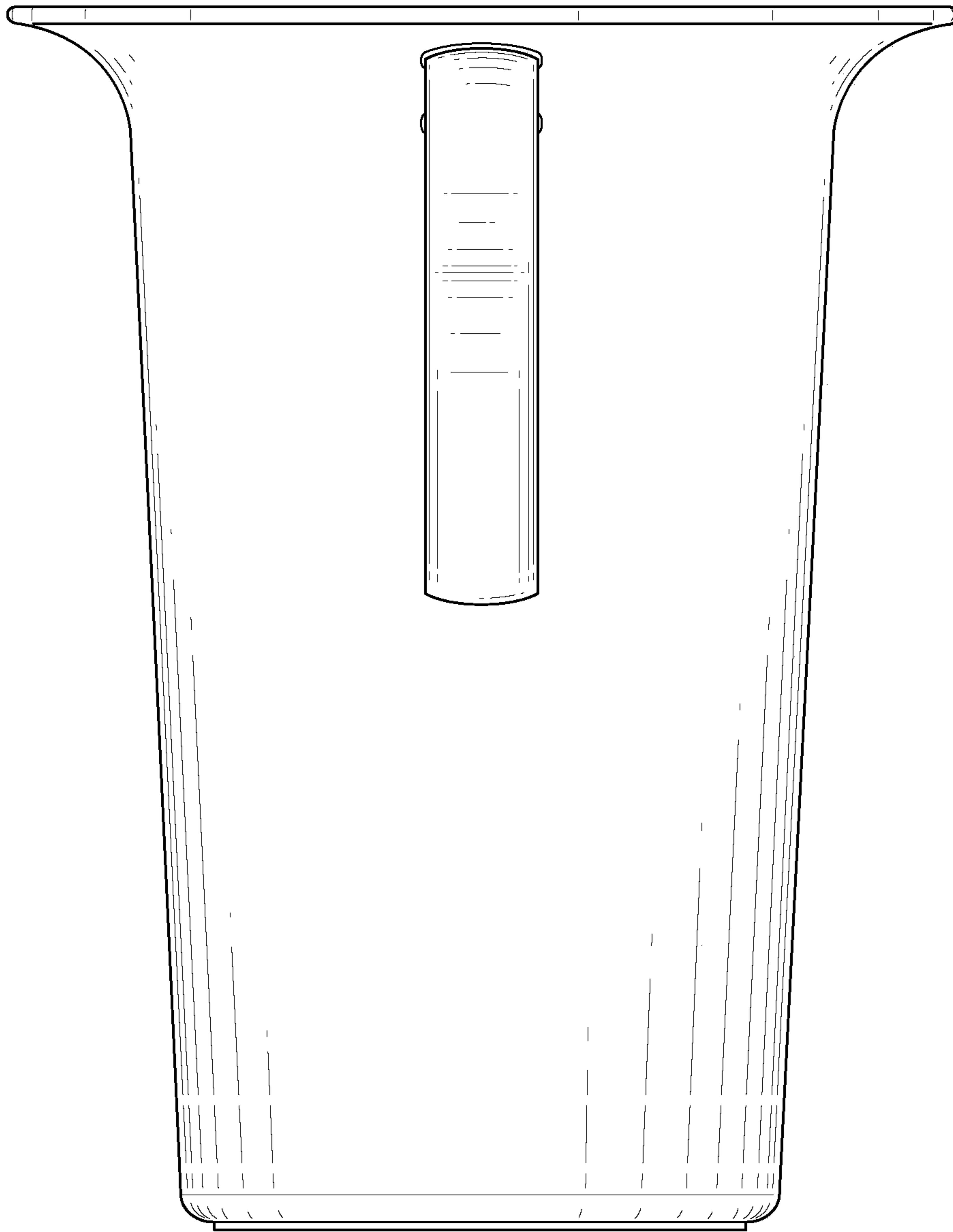


FIG. 4



FIG. 5

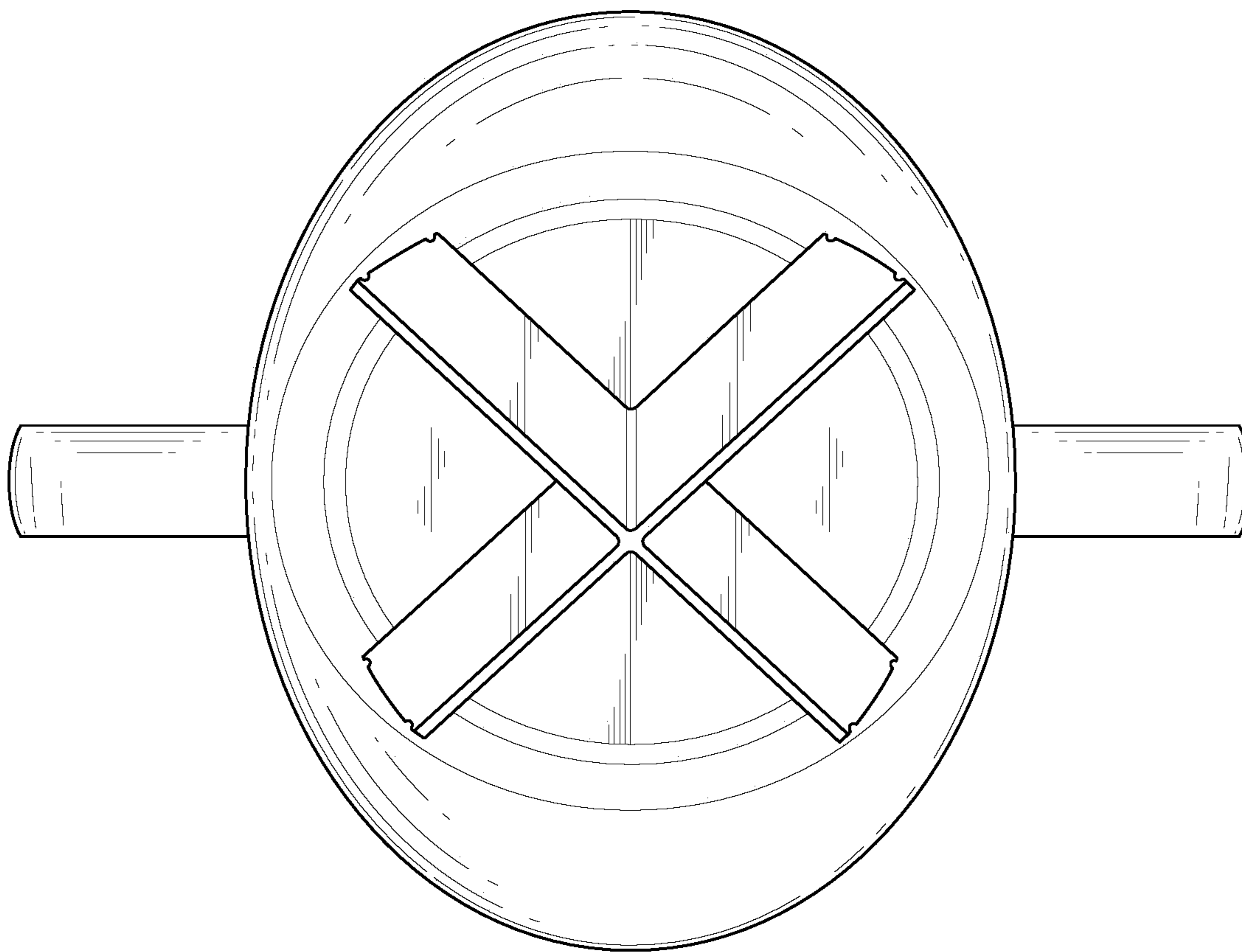


FIG. 6

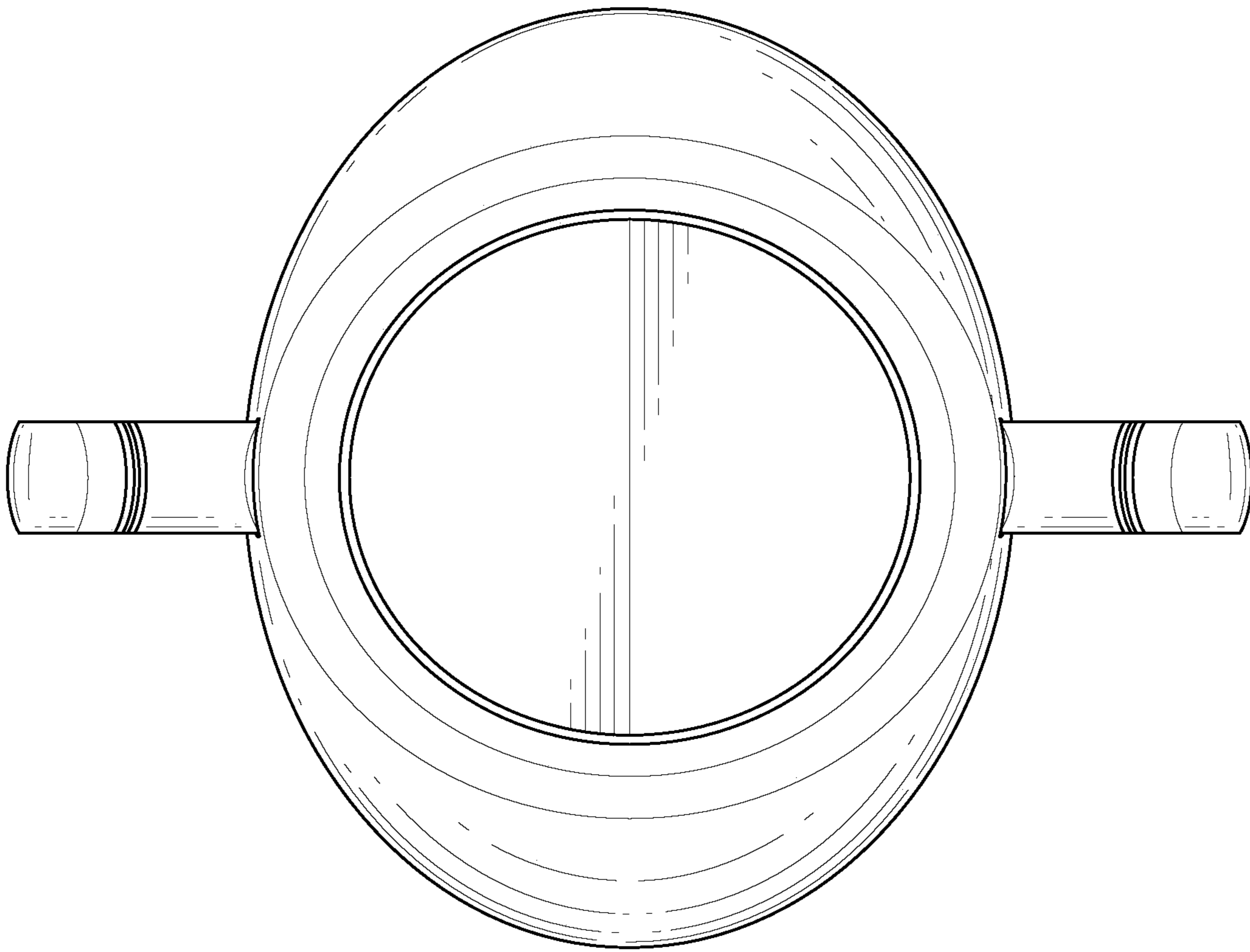


FIG. 7

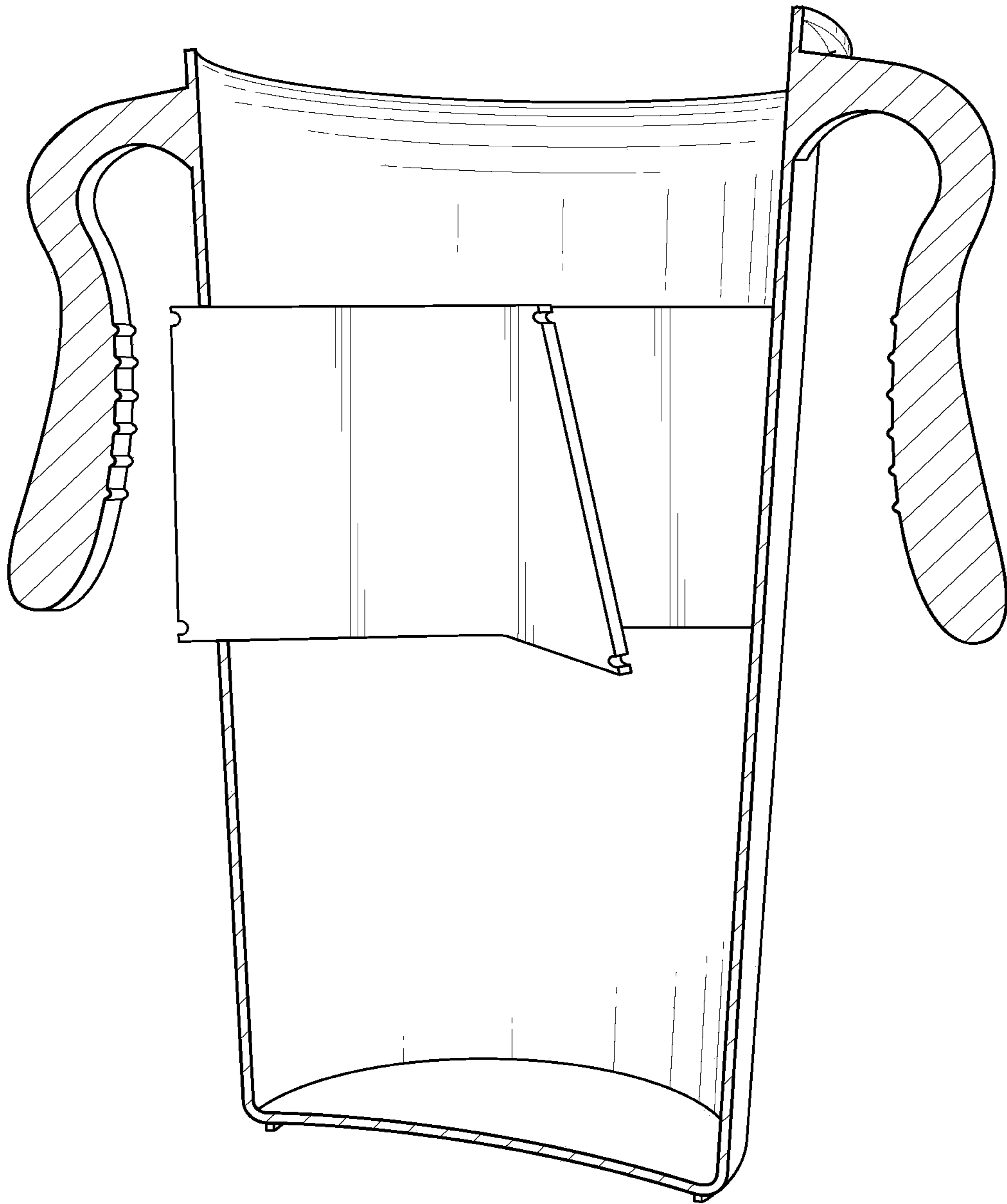


FIG. 8

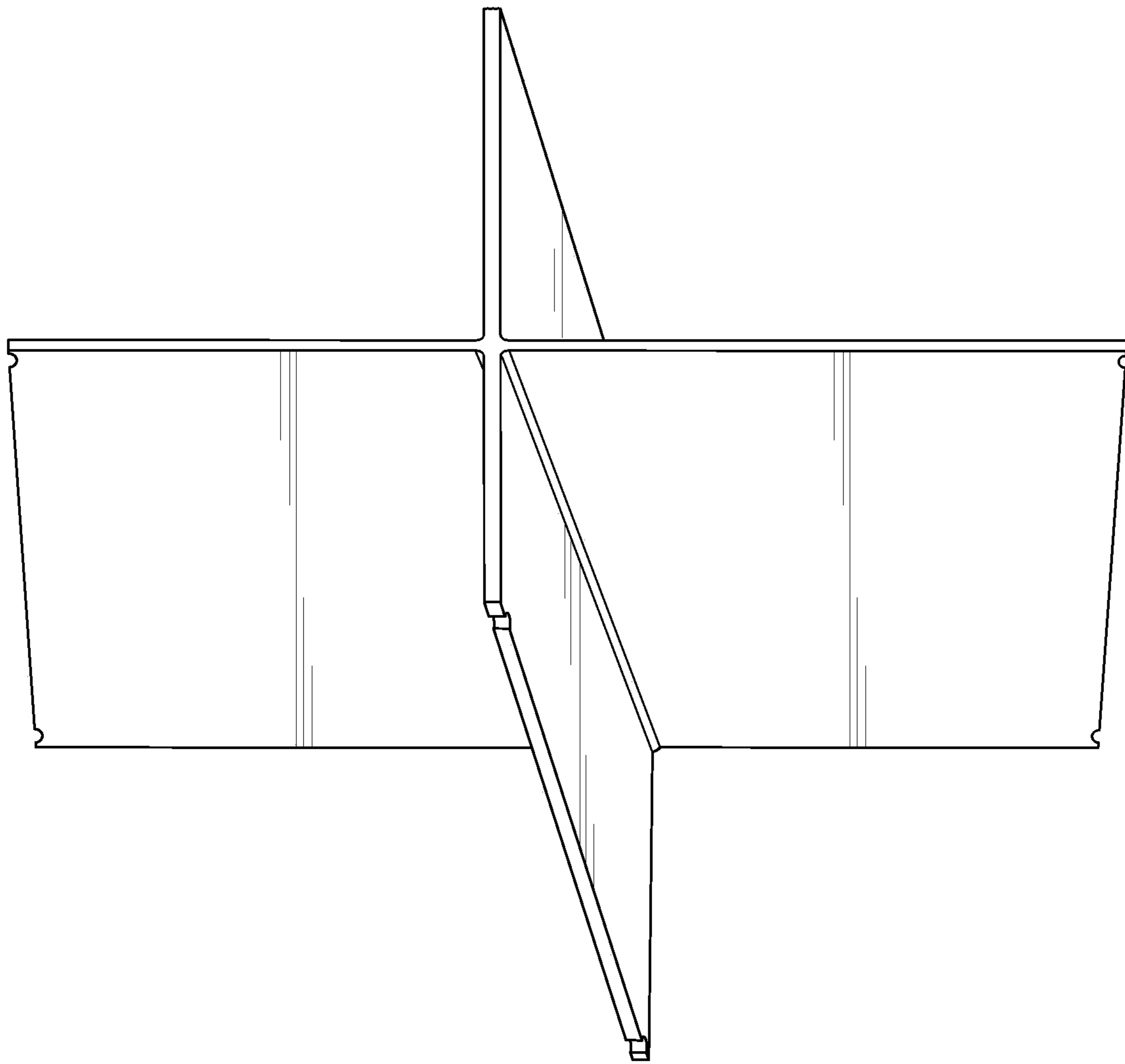


FIG. 9