



US00D892314S

(12) **United States Design Patent**
Tracey et al.

(10) **Patent No.:** **US D892,314 S**

(45) **Date of Patent:** **** Aug. 4, 2020**

(54) **RESERVOIR**

D581,533 S * 11/2008 Ruf D24/146
7,837,633 B2 * 11/2010 Conway A61B 5/15022

(71) Applicant: **DEKA Products Limited Partnership,**
Manchester, NH (US)

600/573

D642,698 S * 8/2011 Stanley D23/249

D648,852 S * 11/2011 Shi D24/146

(72) Inventors: **Brian D. Tracey,** Litchfield, NH (US);
Kevin L. Grant, Litchfield, NH (US)

(Continued)

(73) Assignee: **DEKA Products Limited Partnership,**
Manchester, NH (US)

Primary Examiner — Samantha Q Lawrence

(74) *Attorney, Agent, or Firm* — Reid Cunningham

(**) Term: **15 Years**

(57) **CLAIM**

(21) Appl. No.: **29/719,567**

The ornamental design for a reservoir, as shown.

(22) Filed: **Jan. 6, 2020**

Related U.S. Application Data

DESCRIPTION

(63) Continuation of application No. 29/629,098, filed on
Dec. 11, 2017, now Pat. No. Des. 872,260.

(51) **LOC (12) Cl.** **24-02**

(52) **U.S. Cl.**

USPC **D24/117**

(58) **Field of Classification Search**

USPC D24/107, 108, 111, 112, 113, 114, 115,
D24/116, 117, 118, 119, 133, 169, 146,
D24/147, 186, 231; D8/83, 91, 99, 107;
604/93.01

CPC . A61B 5/15113; A61B 5/15111; A61B 5/151;
A61B 5/15153; A61B 5/15161; A61B
5/15182; A61B 5/15186; A61M 1/008;
A61M 2005/14573; A61M 2005/16863;
A61M 2005/3306; A61M 2005/332;
A61M 5/14; A61M 5/14244; A61M
5/1452; A61M 5/1456; A61M 5/3129

See application file for complete search history.

FIG. 1 is a front-top perspective view of a first embodiment
of a reservoir showing the claimed design;

FIG. 2 is a front view thereof;

FIG. 3 is a back view thereof;

FIG. 4 is a right side view thereof

FIG. 5 is a left side view thereof;

FIG. 6 is a top view thereof;

FIG. 7 is a bottom view thereof;

FIG. 8 is a front-top perspective view of a second embodi-
ment of a reservoir showing the claimed design;

FIG. 9 is a front view thereof;

FIG. 10 is a back view thereof;

FIG. 11 is a right side view thereof

FIG. 12 is a left side view thereof;

FIG. 13 is a top view thereof; and,

FIG. 14 is a bottom view thereof.

The broken lines shown directly adjacent to the claimed
surface in FIGS. 8-9 illustrate a boundary and forms no part
of the claimed design. The remaining broken lines shown in
FIGS. 8, 9, and 11-14 illustrate portions of the reservoir that
form no part of the claimed design.

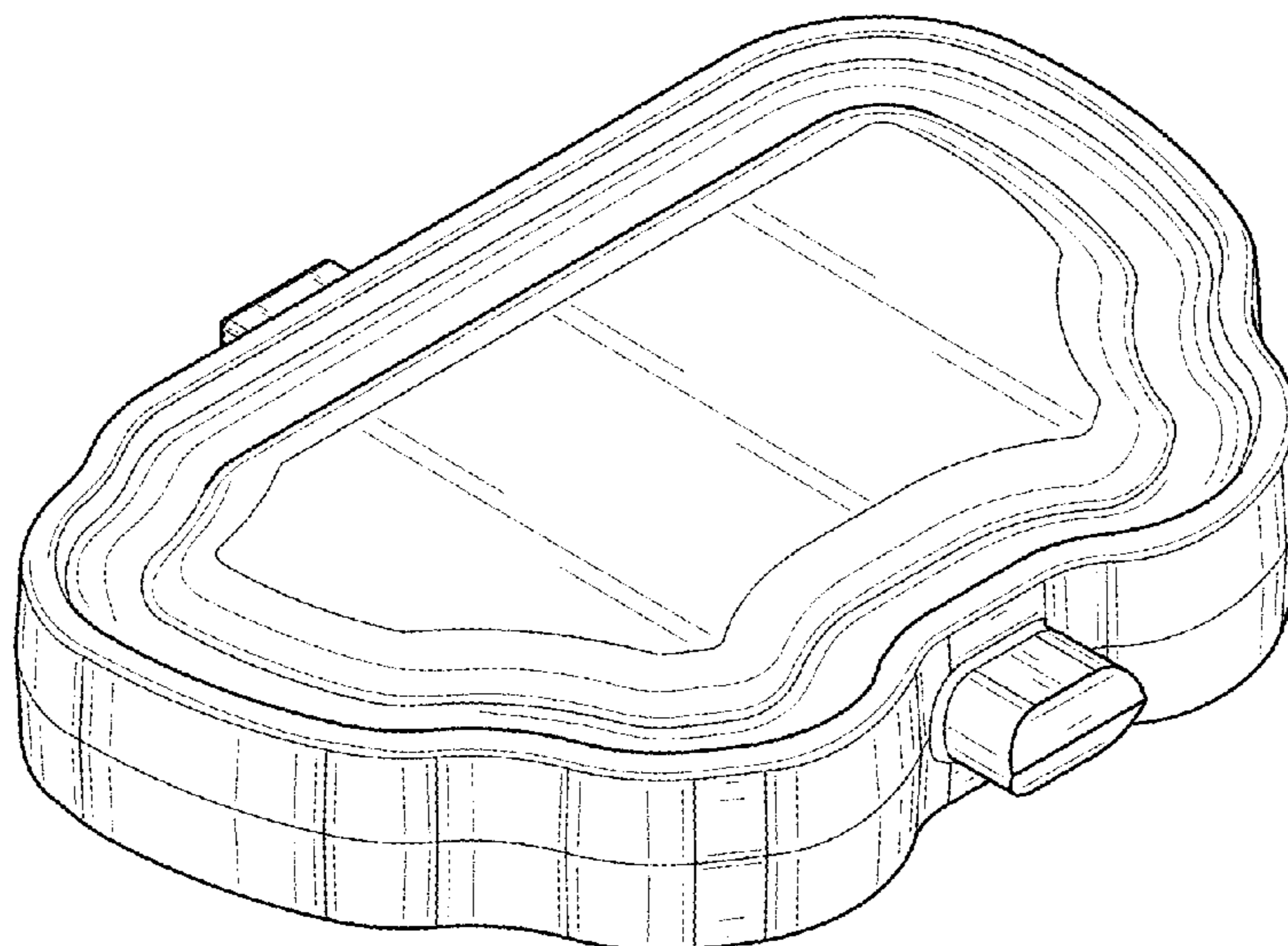
The shade lines in the figures show contour and not surface
ornamentation.

(56) **References Cited**

U.S. PATENT DOCUMENTS

D564,087 S * 3/2008 Yodfat D24/108
7,399,309 B2 * 7/2008 Pietrabissa A61B 17/2841
433/159

1 Claim, 14 Drawing Sheets



(56)

References Cited

U.S. PATENT DOCUMENTS

9,662,438 B2 * 5/2017 Kamen A61M 5/14244
D804,674 S * 12/2017 Im D24/186
D806,864 S * 1/2018 Shi D24/117
9,907,943 B2 * 3/2018 Grant A61M 5/14586
D831,189 S * 10/2018 Fang D24/107
D872,260 S * 1/2020 Tracey D24/117

* cited by examiner

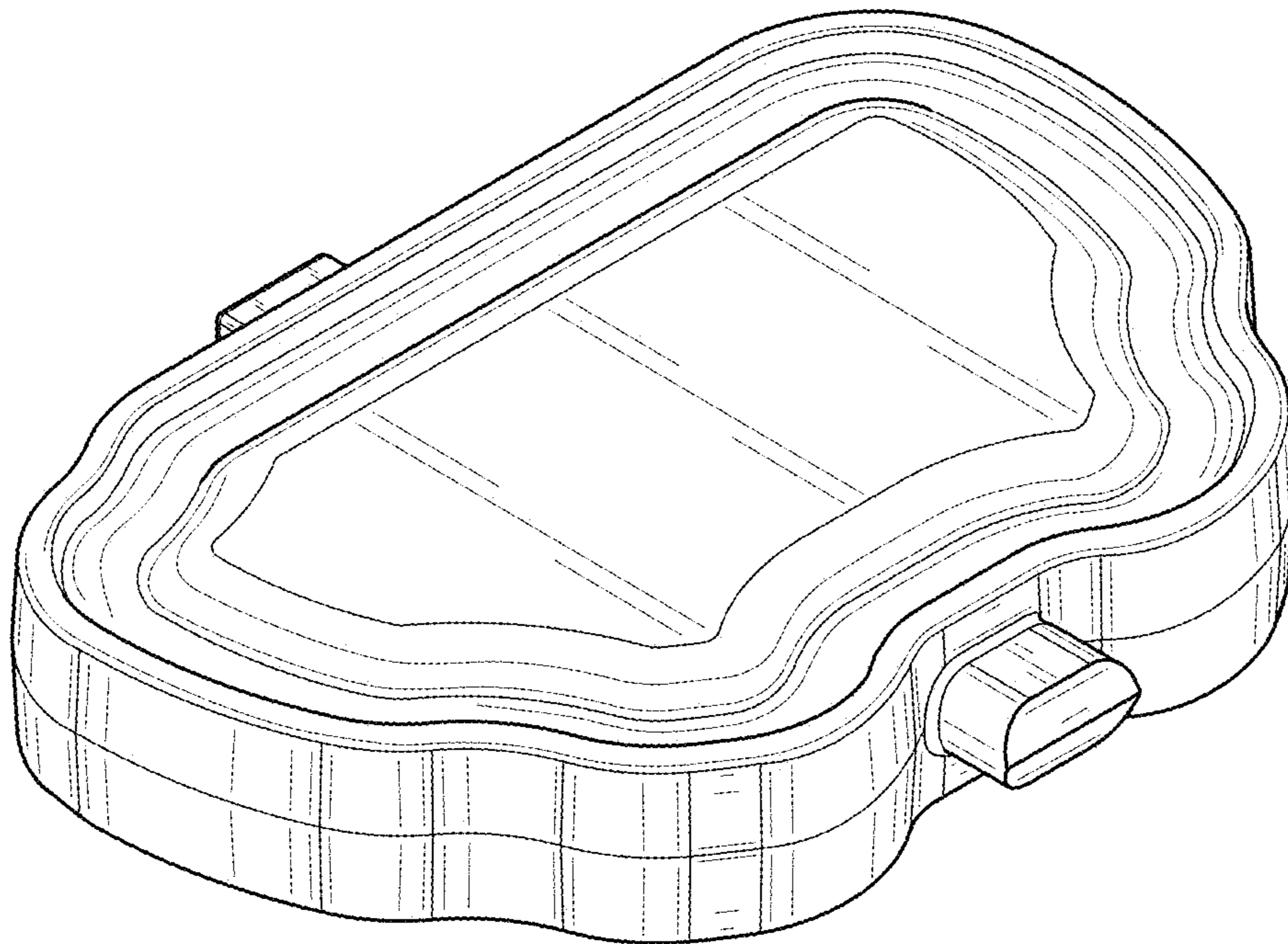


FIG. 1

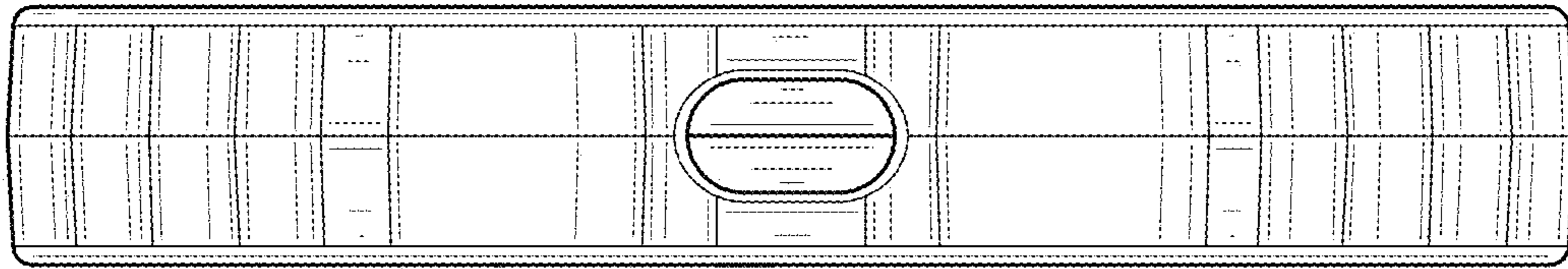


FIG. 2

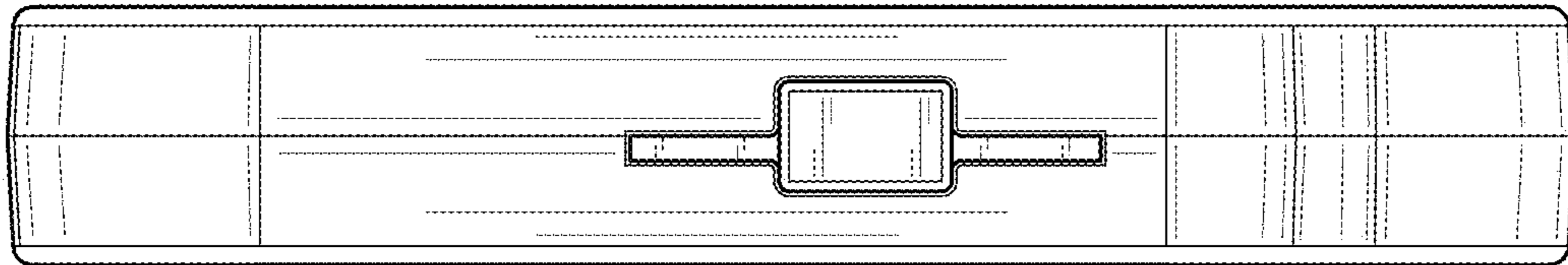


FIG. 3

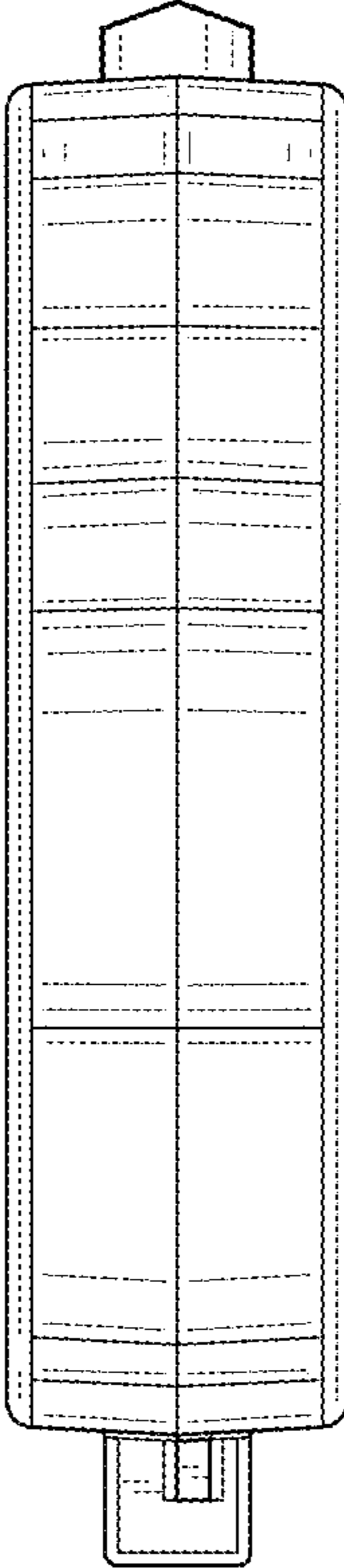


FIG.4

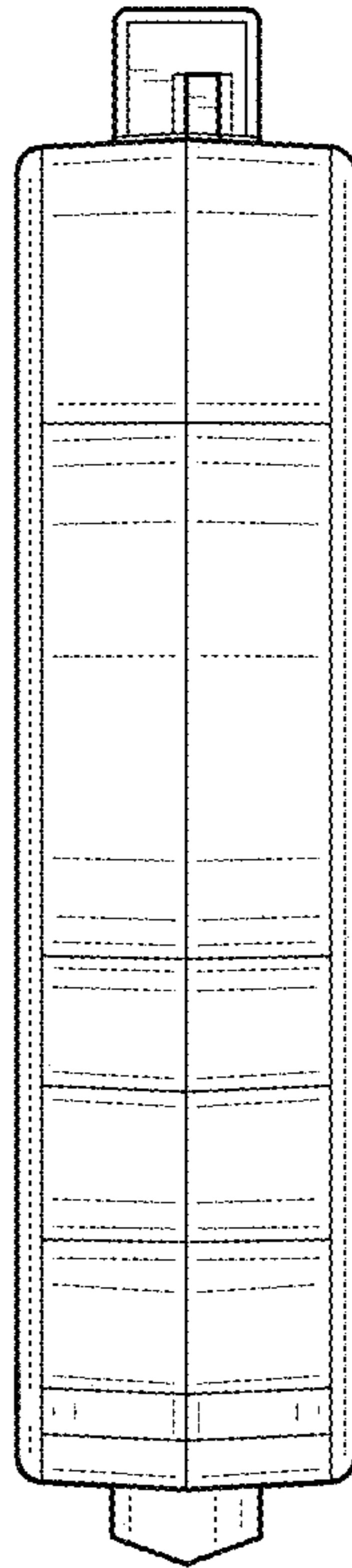


FIG. 5

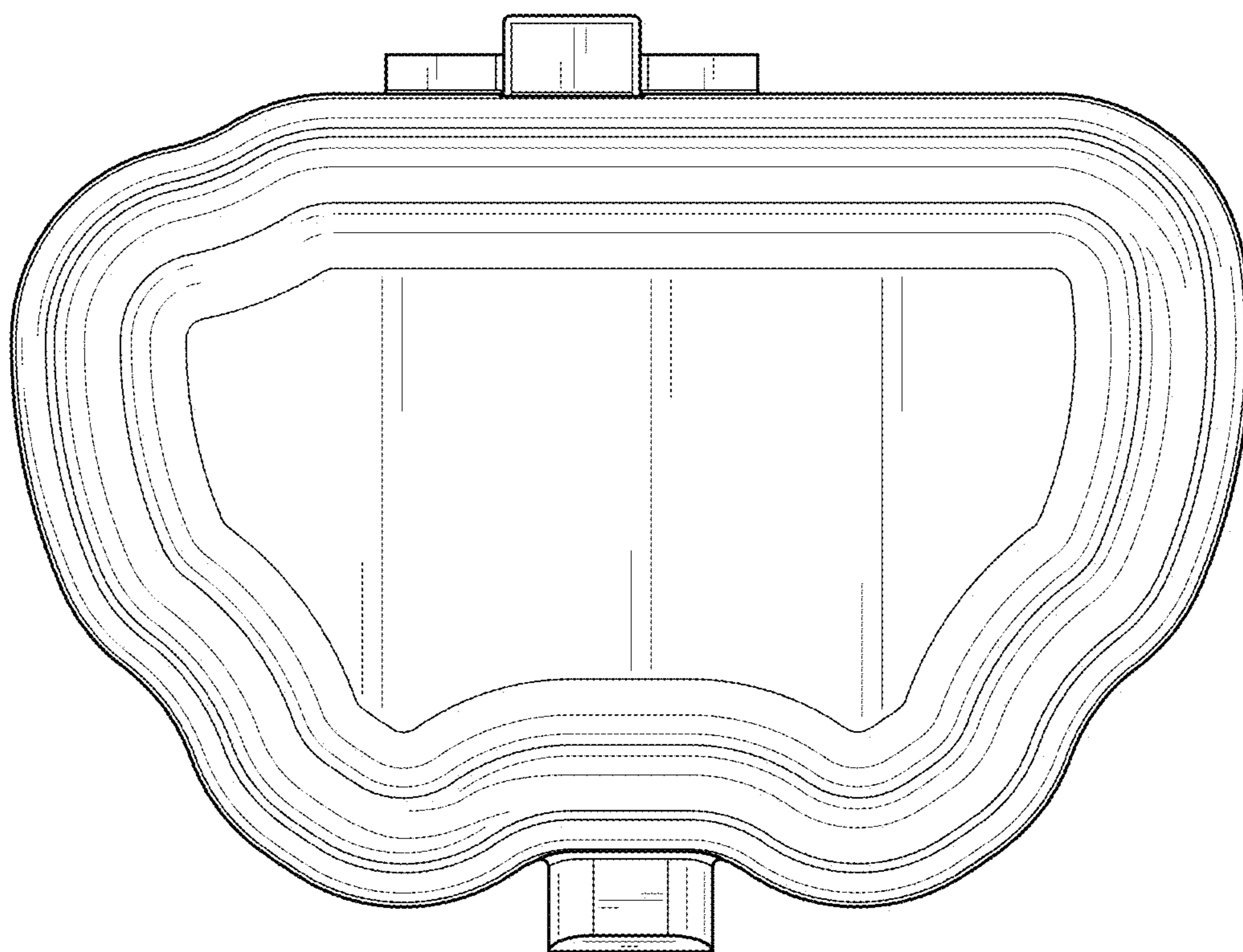


FIG. 6

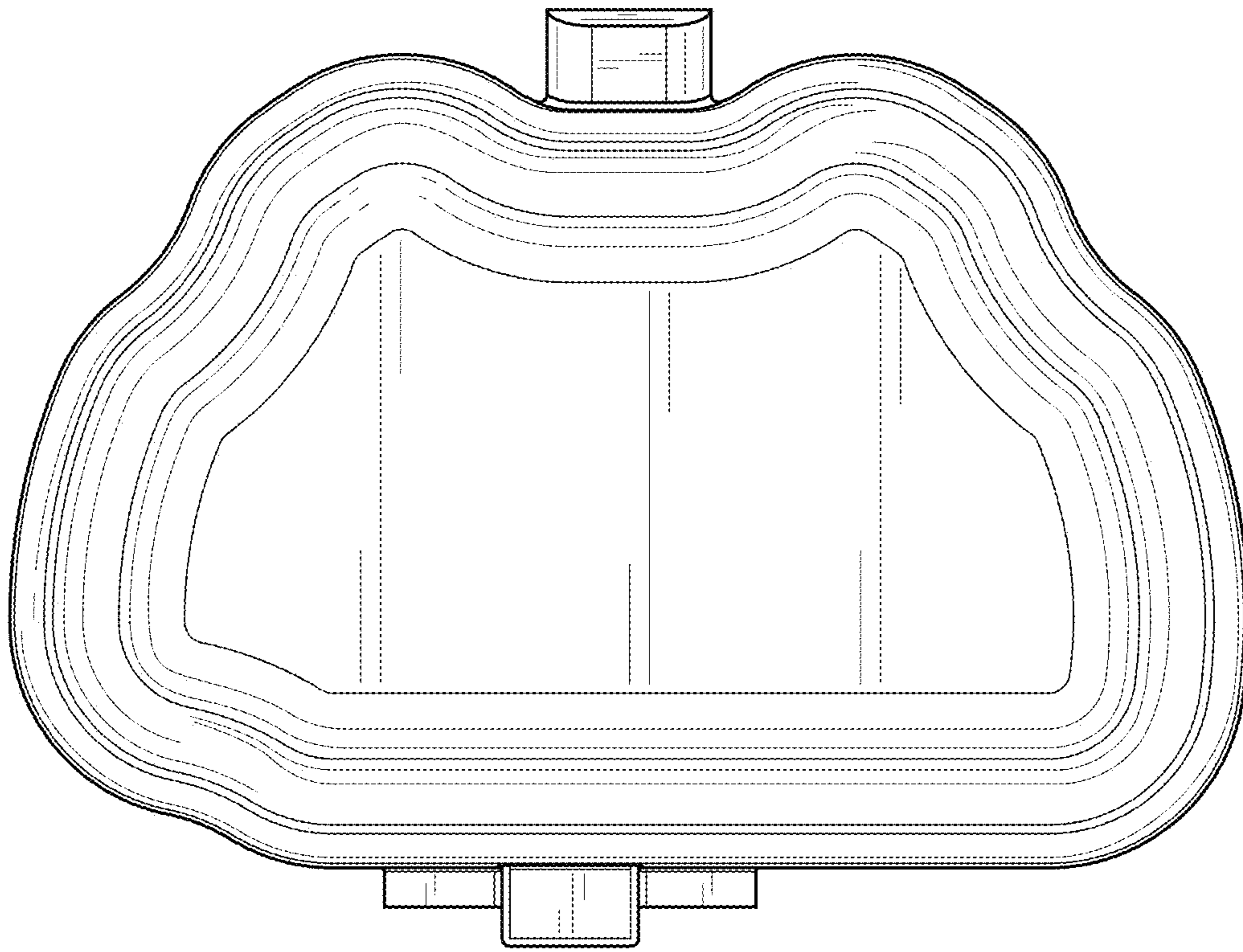


FIG. 7

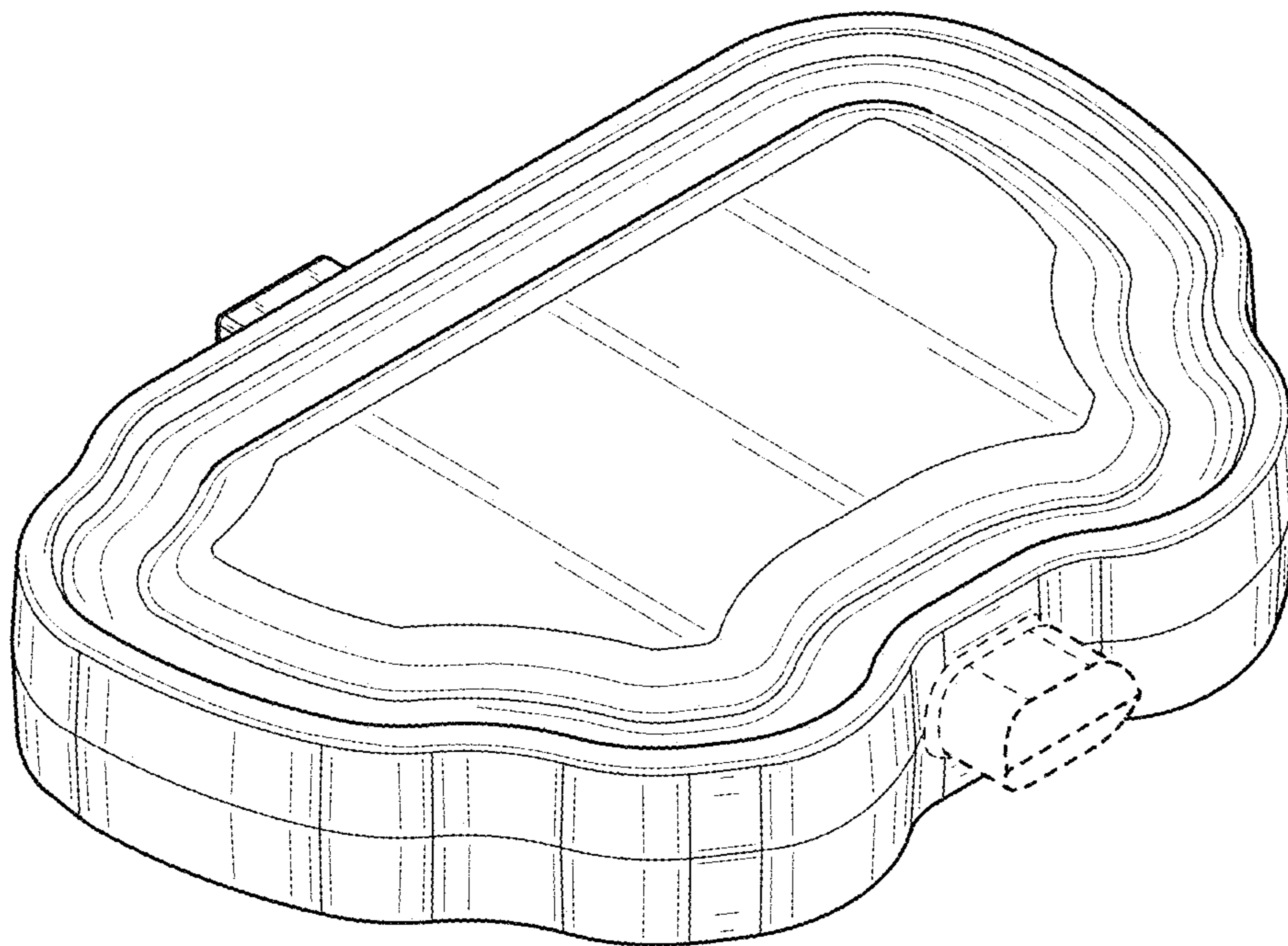


FIG. 8

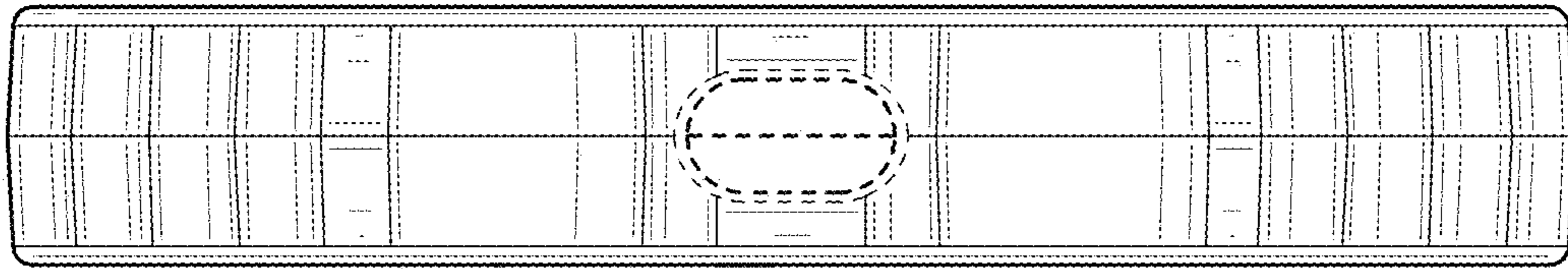


FIG. 9

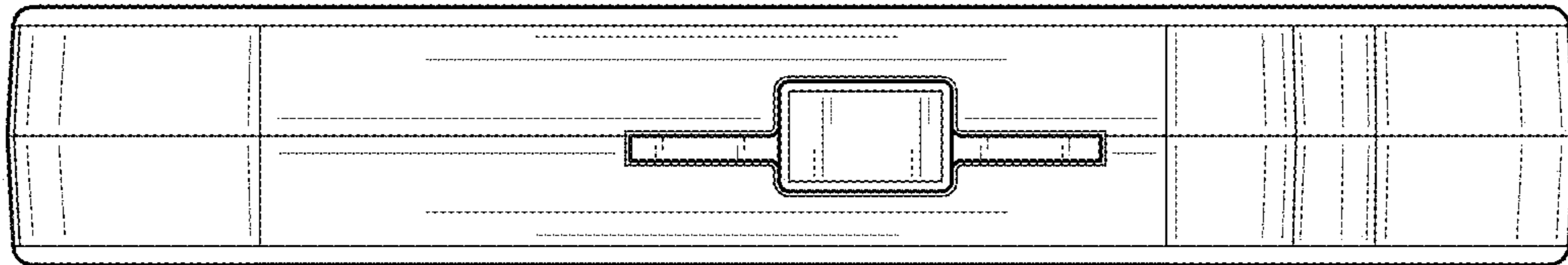


FIG. 10

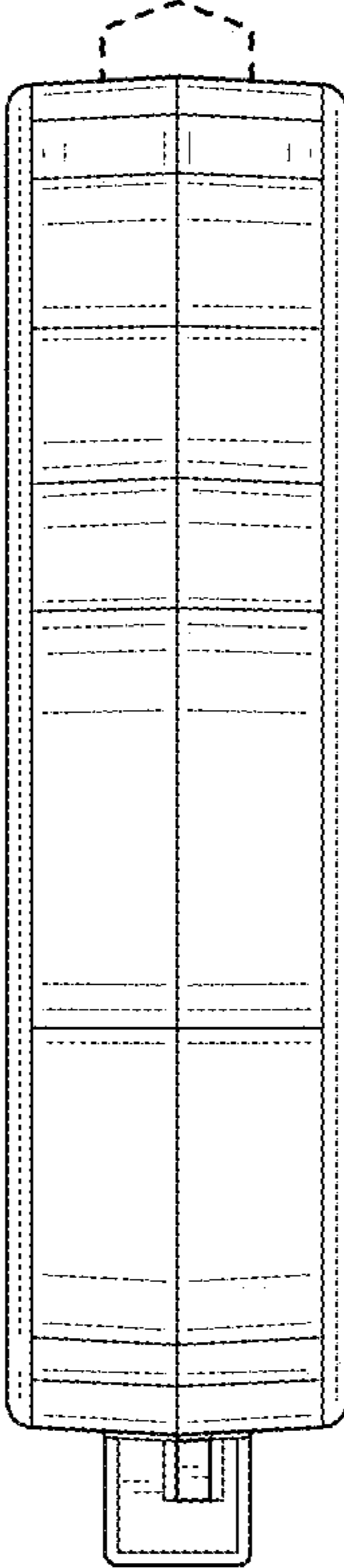


FIG. 11

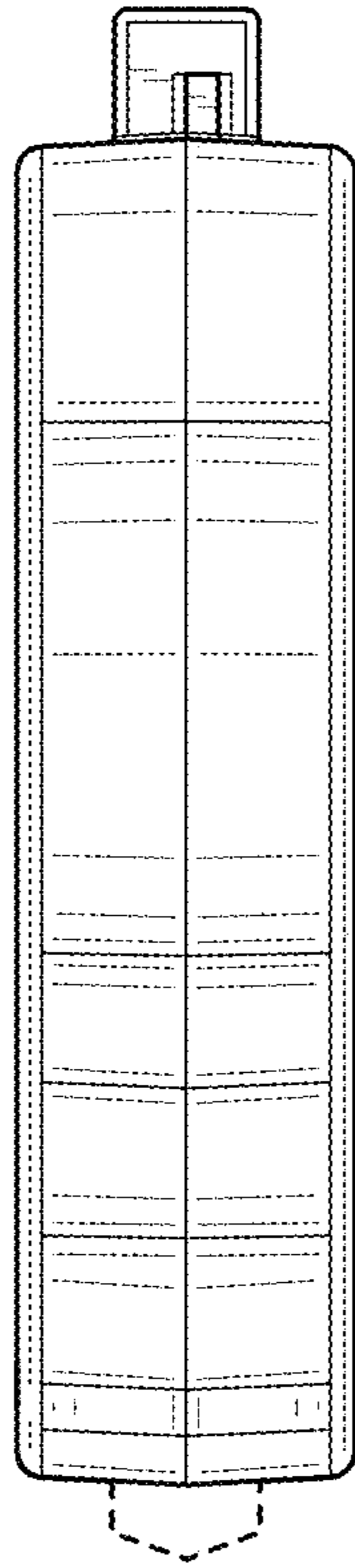


FIG. 12

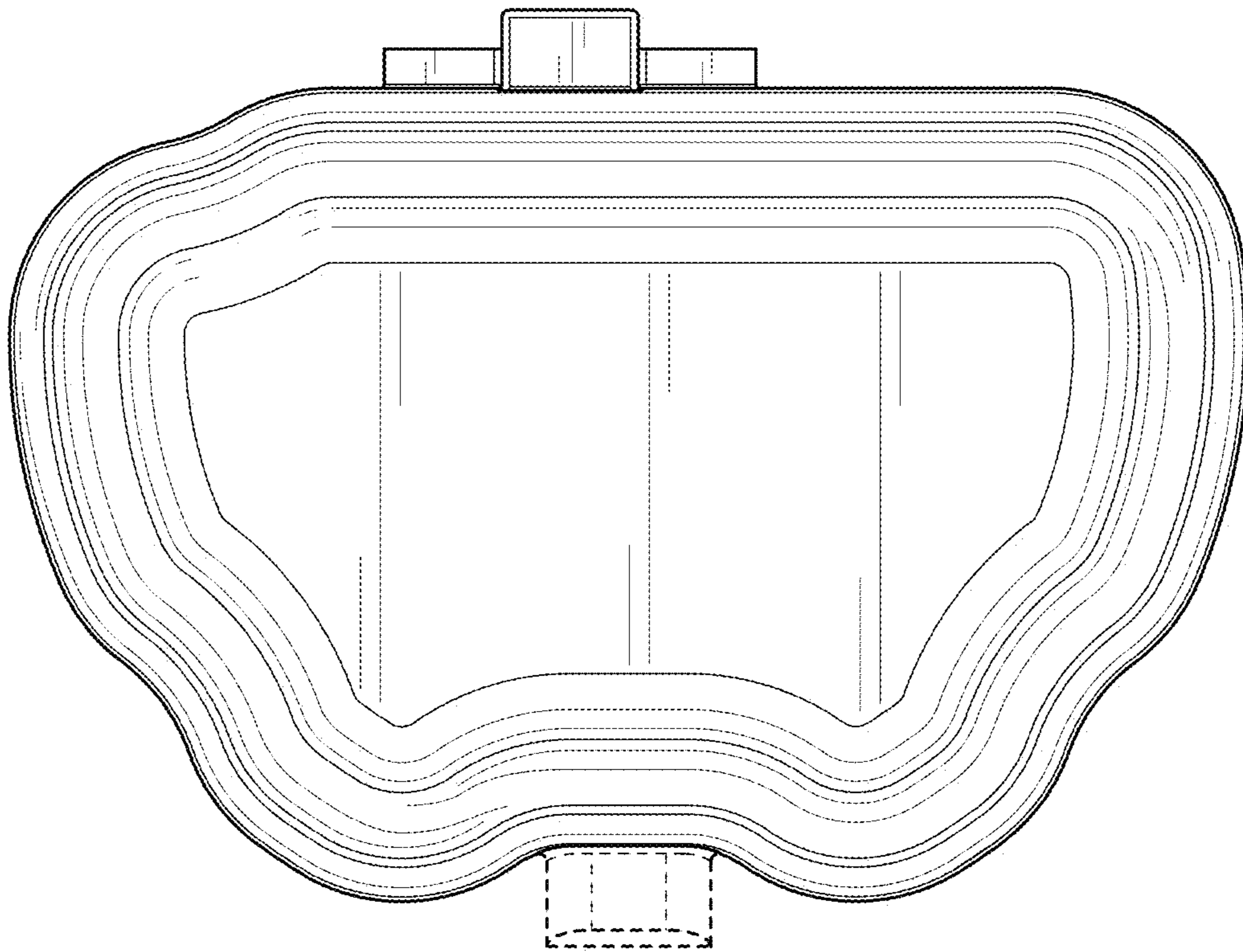


FIG. 13

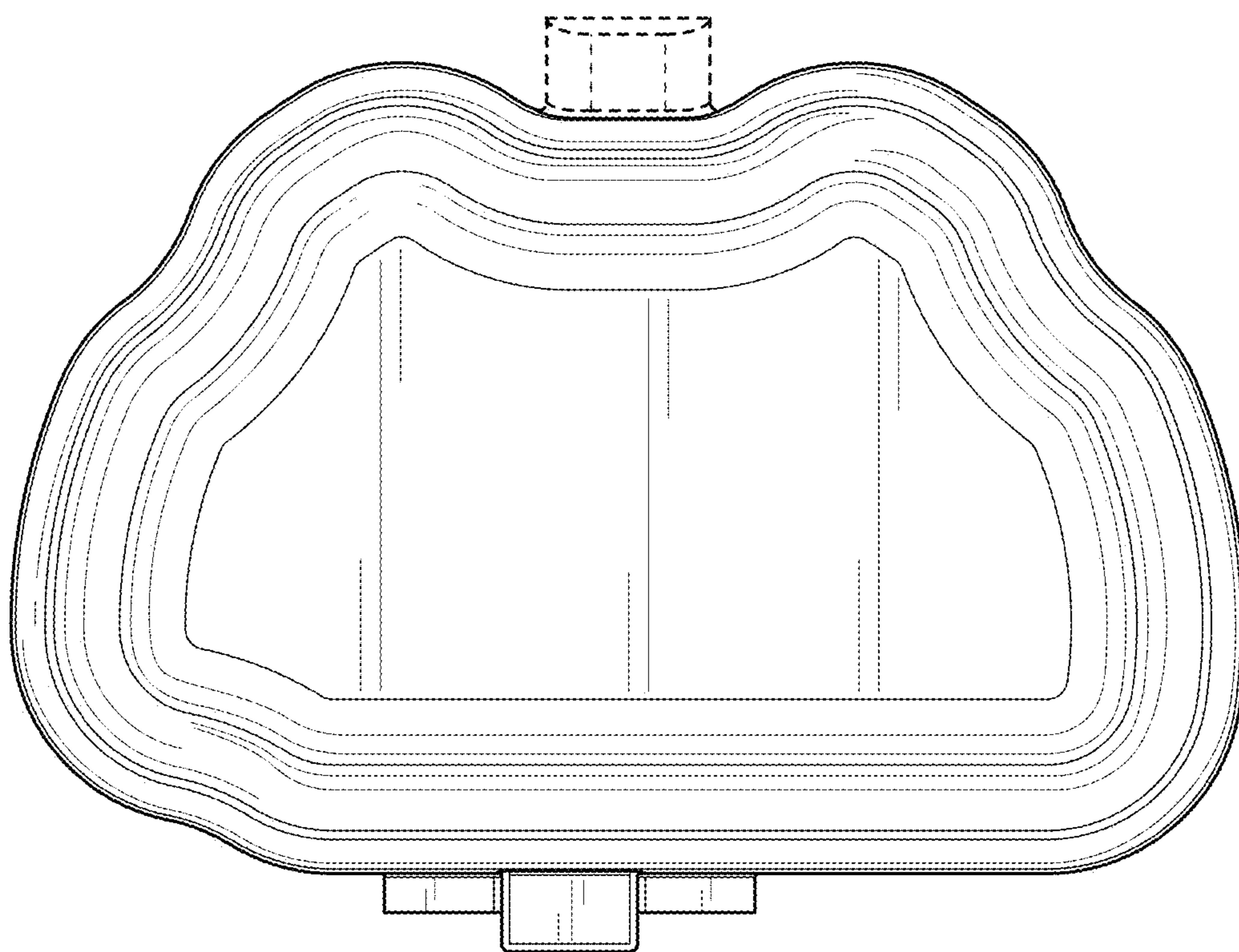


FIG. 14