

US00D892313S

(12) **United States Design Patent** (10) **Patent No.:** **US D892,313 S**  
**Lin** (45) **Date of Patent:** **\*\* Aug. 4, 2020**

(54) **PRESSURE INDICATING SYRINGE**  
(71) Applicant: **FLATMED, LLC**, Taipei (TW)  
(72) Inventor: **Li-Yu Lin**, Taipei (TW)  
(73) Assignee: **FLATMED, LLC**, Taipei (TW)  
(\*\*) Term: **15 Years**

D721,803 S \* 1/2015 Dubach ..... D24/114  
D739,524 S \* 9/2015 Zemel ..... D24/114  
D741,476 S \* 10/2015 Hiraoka ..... D24/114  
D747,797 S \* 1/2016 Fourt ..... D24/114  
D785,162 S \* 4/2017 Swisher ..... D24/114  
D819,805 S \* 6/2018 Knight ..... D24/114  
D837,983 S \* 1/2019 Fangrow ..... A61M 5/142  
D838,368 S \* 1/2019 Rifani ..... D24/133  
D851,757 S \* 6/2019 Nandi ..... D24/114  
D866,753 S \* 11/2019 Mandaroux ..... D24/114

(21) Appl. No.: **29/674,540**

\* cited by examiner

(22) Filed: **Dec. 21, 2018**

*Primary Examiner* — David G Muller

(51) **LOC (12) Cl.** ..... **24-02**

(74) *Attorney, Agent, or Firm* — Juan Carlos A. Marquez;  
Marquez IP Law Office, PLLC

(52) **U.S. Cl.**  
USPC ..... **D24/114**

(57) **CLAIM**

(58) **Field of Classification Search**  
USPC ..... D24/112–114, 108, 133, 130, 127, 186;  
606/181, 185; 604/264, 272, 187, 181,  
604/184, 227  
CPC ..... A61M 5/178; A61M 3/00; A61M 5/20;  
A61M 5/31; A61M 5/3146; A61M  
5/3129; A61M 5/3148  
See application file for complete search history.

The ornamental design for a pressure indicating syringe, as shown and described.

**DESCRIPTION**

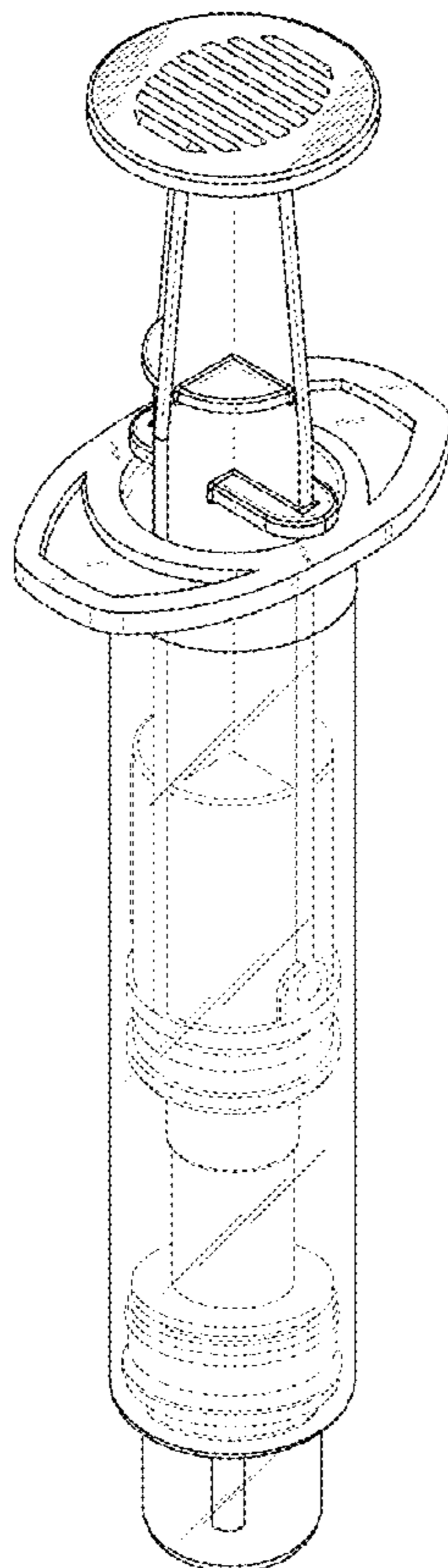
(56) **References Cited**

U.S. PATENT DOCUMENTS

D401,324 S \* 11/1998 Hjertman ..... D24/114  
D447,797 S \* 9/2001 Odell ..... D24/112  
D578,210 S \* 10/2008 Muta ..... D24/114

FIG. 1 is a perspective view of a pressure indicating syringe, showing my new design;  
FIG. 2 is a front view thereof;  
FIG. 3 is a rear view thereof;  
FIG. 4 is a right view thereof;  
FIG. 5 is a left view thereof;  
FIG. 6 is a top view thereof; and,  
FIG. 7 is a bottom view thereof.

**1 Claim, 6 Drawing Sheets**



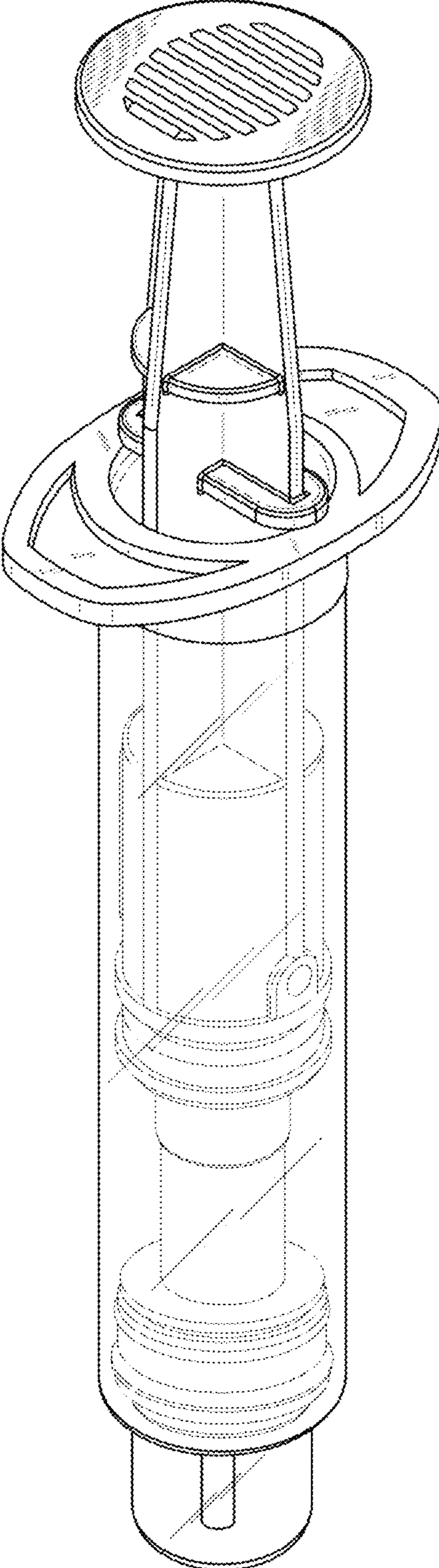


FIG. 1

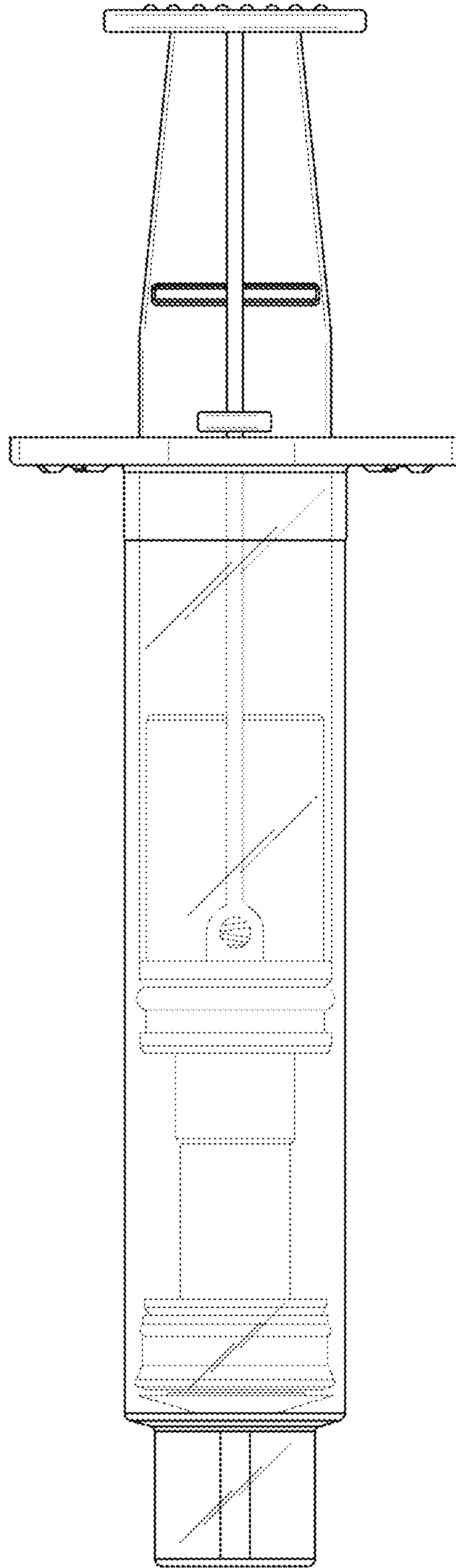


FIG. 2

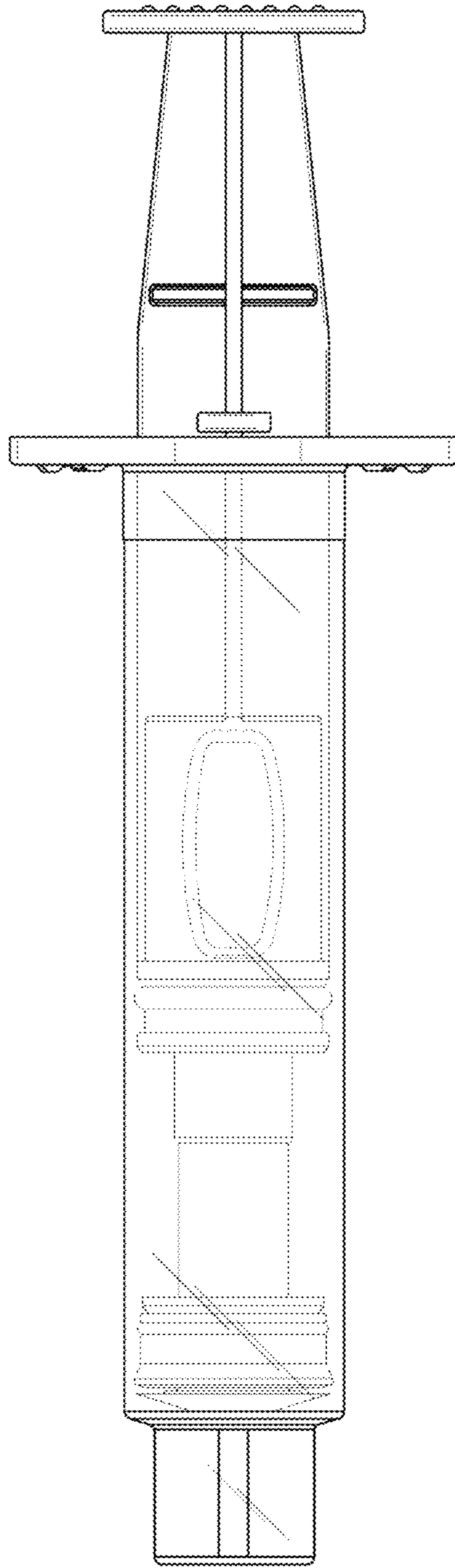


FIG. 3

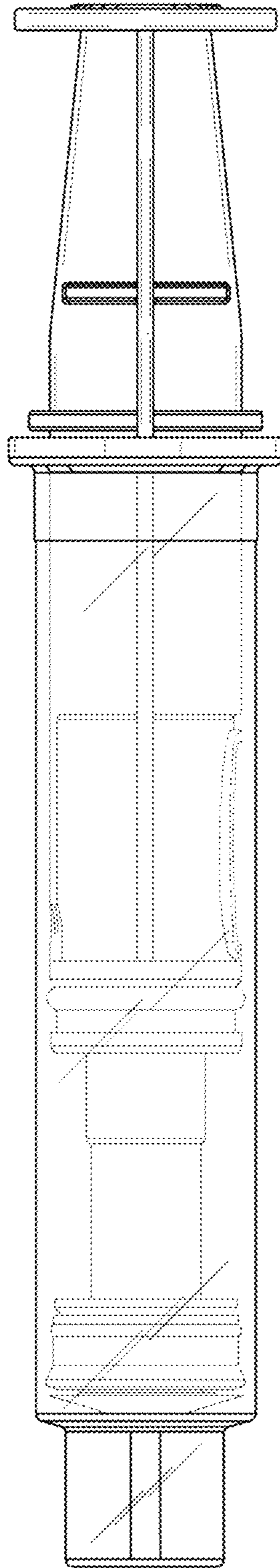


FIG. 4

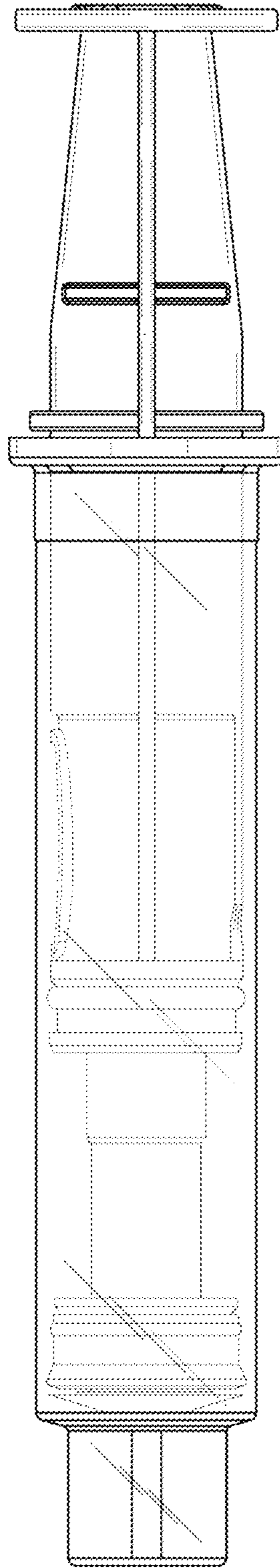


FIG. 5

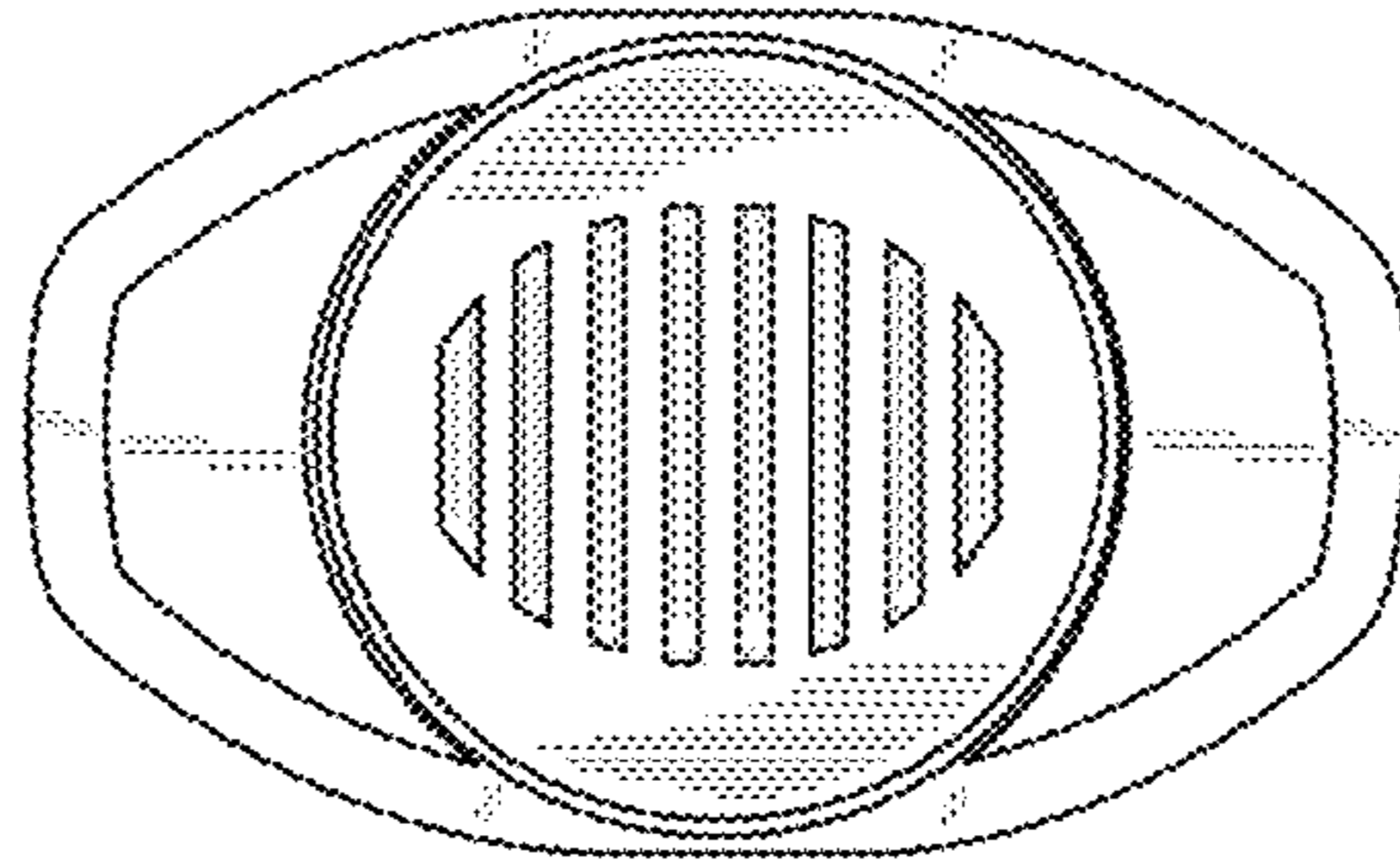


FIG. 6

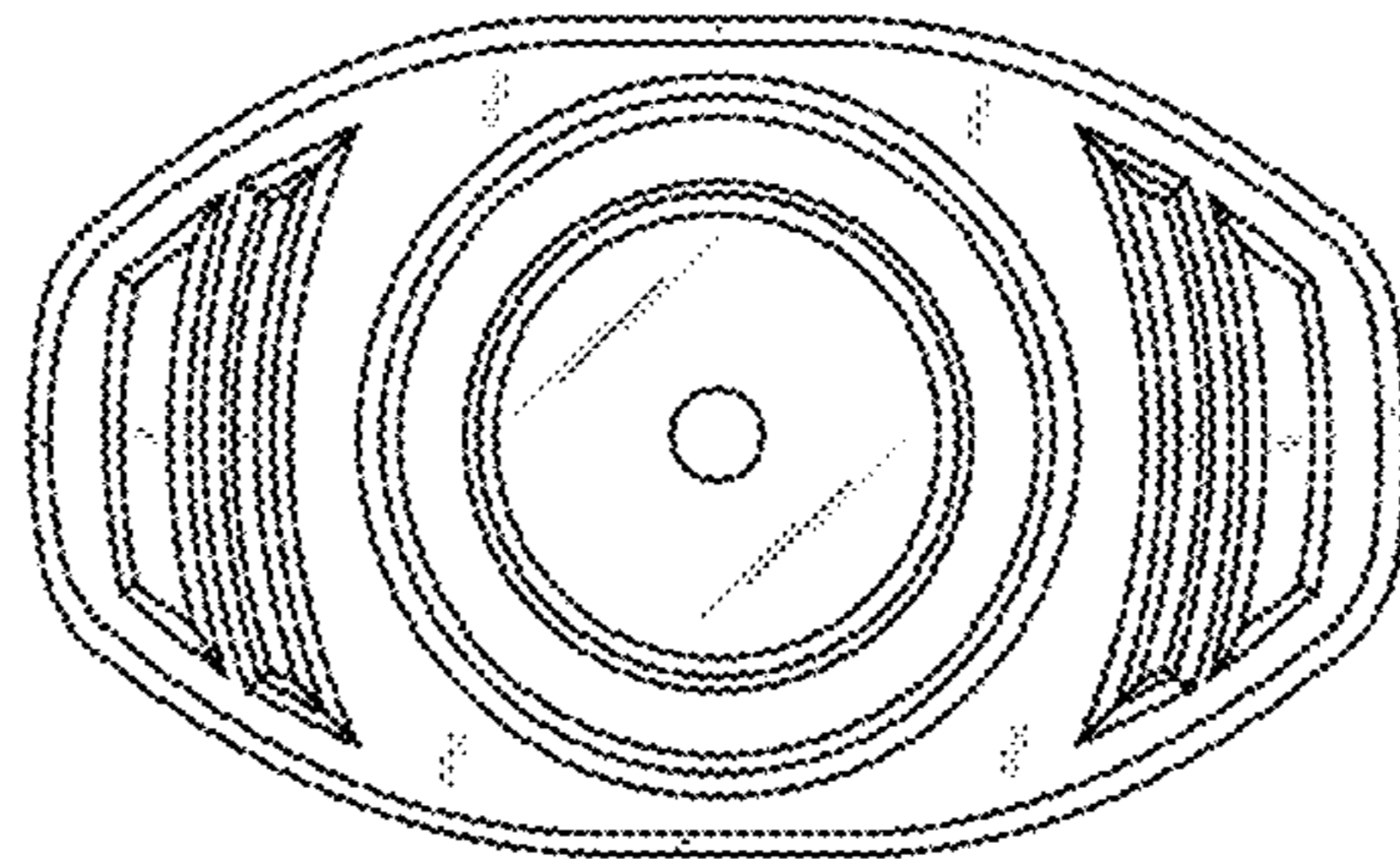


FIG. 7