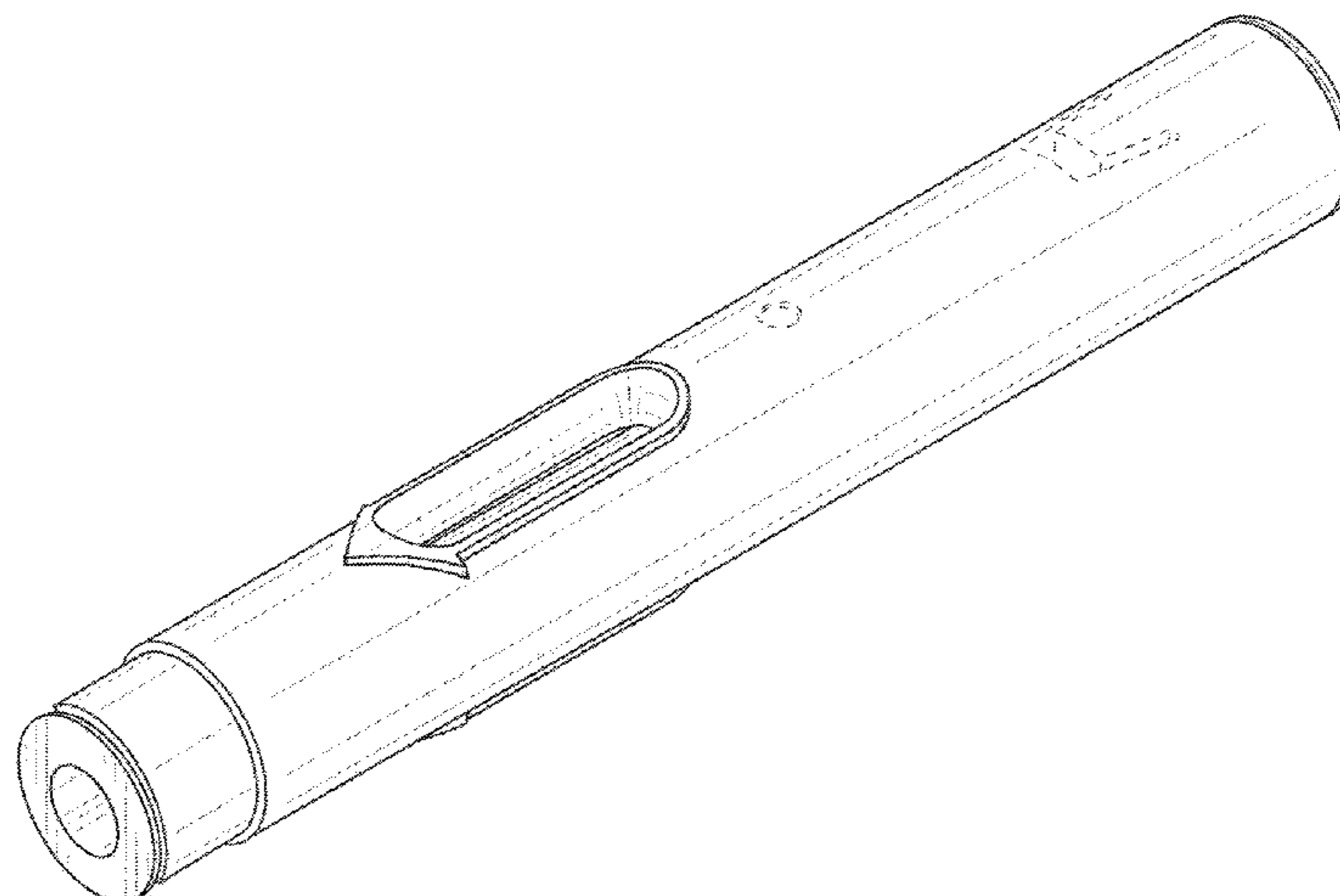


US00D892312S

(12) **United States Design Patent** (10) **Patent No.:** **US D892,312 S**
Nicholas et al. (45) **Date of Patent:** **** Aug. 4, 2020**

(54) INJECTION DEVICE	4,986,817 A	1/1991	Code
	5,147,328 A	9/1992	Dragosits et al.
(71) Applicant: Sanofi-Aventis Deutschland GMBH , Frankfurt am Main (DE)	5,336,197 A	8/1994	Kuracina et al.
	5,478,316 A *	12/1995	Bitdinger A61M 5/2033 604/134
(72) Inventors: Courtney Nicholas , East Greenbush, NY (US); Scott Barton , East Greenbush, NY (US); Bart Burgess , East Greenbush, NY (US); Alexei Goraltchouk , East Greenbush, NY (US)	5,509,903 A	4/1996	Grendahl et al.
	5,519,931 A	5/1996	Reich
	5,554,127 A	9/1996	Crouther et al.
	5,554,133 A	9/1996	Haffner et al.
	5,709,662 A *	1/1998	Olive A61M 5/2033 604/135
	5,716,346 A	2/1998	Farris
(73) Assignee: Sanofi-Aventis Deutschland GMBH , Frankfurt am Main (DE)	5,843,036 A	12/1998	Olive et al.
	5,921,966 A *	7/1999	Bendek A61M 5/24 604/207
(**) Term: 15 Years	5,997,513 A	12/1999	Smith et al.
(21) Appl. No.: 29/645,283	D426,299 S	6/2000	Bydlon et al.
(22) Filed: Apr. 25, 2018	D428,651 S	7/2000	Andersson et al.
(30) Foreign Application Priority Data	6,206,855 B1	3/2001	Kunkel et al.
Oct. 25, 2017 (EM) 004420388	D462,760 S	9/2002	Ahlgrim et al.
(51) LOC (12) Cl. 24-02	D479,599 S	9/2003	Bainton
(52) U.S. Cl.	D479,601 S	9/2003	Tyce
USPC D24/113	D479,602 S	9/2003	Bainton
(58) Field of Classification Search	D479,603 S	9/2003	Tyce
USPC D24/112-114, 133, 186, 127-131; 606/181, 185; 604/264, 272, 115, 232, 604/187, 158, 164.08, 192, 263, 163, 181, 604/184, 198, 227; 600/101, 139, 143; 128/200.24, 207.14, 207.15; D19/115-123, 177, 193	D479,747 S	9/2003	Bainton
CPC A61M 5/3156; A61M 5/31591; A61M 5/3155; A61M 5/3157; A61M 5/24; A61M 5/31501; A61M 5/31551; A61M 5/31585; A61M 2005/2407; A61M 2005/2492; A61M 2205/581; A61M 2205/582	D479,748 S	9/2003	Tyce
See application file for complete search history.	D481,120 S	10/2003	Hawley et al.
(56) References Cited	D488,864 S	4/2004	Fago et al.
U.S. PATENT DOCUMENTS	D490,149 S	5/2004	Hawley et al.
4,046,145 A 9/1977 Choksi et al.	D490,150 S	5/2004	Hawley et al.
4,840,185 A 6/1989 Hernandez	D490,151 S	5/2004	Hawley et al.
4,900,309 A 2/1990 Netherton et al.	D492,027 S	6/2004	Tyce et al.
	D492,405 S	6/2004	Bainton
	D493,526 S	7/2004	Hwang
	7,189,217 B2	3/2007	Chang et al.
	7,307,265 B2	12/2007	Polsinelli et al.
	D561,894 S	2/2008	Hudson
	7,338,474 B2	3/2008	Kirk
	7,414,254 B2	8/2008	Polsinelli et al.
	D581,047 S	11/2008	Koshidaka
	7,449,012 B2	11/2008	Young et al.
	D590,876 S *	4/2009	Shi D19/117
	D598,539 S	8/2009	Tyce
	D599,008 S	8/2009	Tyce
	D599,009 S	8/2009	Tyce
	D599,010 S	8/2009	Tyce
	D599,011 S	8/2009	Tyce
	D600,794 S	9/2009	Tyce
	D600,795 S	9/2009	Tyce
	D606,649 S	12/2009	Tyce
	D606,650 S	12/2009	Tyce
	7,635,348 B2	12/2009	Raven et al.
	D608,442 S	1/2010	Tyce



US D892,312 S

D610,251 S	2/2010	Tyce		D810,282 S	2/2018	Ratjen
D610,252 S	2/2010	Tyce		D830,539 S *	10/2018	Boyaval D24/113
D610,676 S	2/2010	Tyce		10,279,130 B2 *	5/2019	Mosebach A61M 5/3157
D612,486 S	3/2010	Van der Stappen		2004/0116875 A1	6/2004	Fischer et al.
7,682,155 B2	3/2010	Raven et al.		2007/0039156 A1	2/2007	Reich
D619,244 S *	7/2010	Van der Stappen D24/113		2007/0113861 A1	5/2007	Knudsen et al.
D619,247 S	7/2010	Loe, Jr.		2008/0009808 A1	1/2008	Berler
D622,374 S *	8/2010	Julian D24/113		2008/0269692 A1	10/2008	James et al.
7,794,432 B2	9/2010	Young et al.		2008/0289984 A1	11/2008	Raven et al.
D627,061 S *	11/2010	Van der Stappen D24/113		2012/0123350 A1 *	5/2012	Giambattista A61M 5/2033 604/198
D629,509 S *	12/2010	Julian D24/113				
7,846,136 B2	12/2010	Witowski		2013/0030375 A1	1/2013	Daily et al.
7,905,352 B2	3/2011	Wyrick		2013/0041328 A1	2/2013	Daniel
D641,077 S	7/2011	Sanders et al.		2013/0041347 A1	2/2013	Daniel
D651,305 S	12/2011	Hawley et al.		2013/0211330 A1 *	8/2013	Pedersen A61M 5/2033 604/111
8,269,201 B2	9/2012	Fago et al.				
D671,638 S	11/2012	Young et al.		2013/0281934 A1	10/2013	Wilmot et al.
D676,957 S	2/2013	Schneider et al.		2014/0358037 A1	12/2014	Crawford et al.
8,376,998 B2	2/2013	Daily et al.		2014/0371684 A1 *	12/2014	Holmqvist A61M 5/3202 604/198
D677,380 S	3/2013	Julian et al.				
D688,790 S	8/2013	Guarraia et al.		2015/0011944 A1	1/2015	Young et al.
D688,791 S	8/2013	Guarraia et al.		2015/0045742 A1	2/2015	Cheung
D688,793 S	8/2013	Guarraia et al.		2015/0051580 A1	2/2015	Shain et al.
D690,416 S	9/2013	Cappello et al.		2015/0065960 A1	3/2015	Osman
8,529,510 B2	9/2013	Giambattista et al.		2015/0073383 A1	3/2015	Wilmot et al.
D692,129 S	10/2013	Dubuc et al.		2015/0080807 A1	3/2015	Schneider et al.
D694,879 S	12/2013	Julian et al.		2015/0190590 A1 *	7/2015	Richter A61M 5/20 604/111
D695,892 S	12/2013	Cappello et al.				
D696,397 S	12/2013	Guarraia et al.		2015/0335829 A1 *	11/2015	Giambattista A61M 5/2033 604/192
D696,771 S	12/2013	Schneider et al.				
D696,773 S	12/2013	Schneider et al.		2015/0352278 A1	12/2015	Morita et al.
D696,775 S	12/2013	Guarraia et al.		2015/0374918 A1	12/2015	Kumar et al.
D697,205 S	1/2014	Schneider et al.		2016/0051760 A1	2/2016	Krusell et al.
D703,314 S	4/2014	Schneider et al.		2016/0051764 A1	2/2016	Dreier et al.
D707,351 S	6/2014	Kunze		2016/0067407 A1	3/2016	Daniel
D707,352 S	6/2014	Liu et al.		2016/0089498 A1	3/2016	Daniel
8,801,679 B2	8/2014	Iio et al.		2016/0151586 A1 *	6/2016	Kemp A61M 5/3158 604/198
8,821,451 B2	9/2014	Daniel				
D714,932 S	10/2014	Hall et al.		2016/0158460 A1	6/2016	Mesa et al.
D715,422 S	10/2014	Hall et al.		2016/0193417 A1 *	7/2016	Guillermo A61M 5/31553 604/192
D716,442 S	10/2014	Magome et al.				
8,864,718 B2	10/2014	Karlsen et al.		2016/0213845 A1	7/2016	Holmqvist
8,870,827 B2	10/2014	Young et al.		2016/0263327 A1	9/2016	Radmer et al.
D717,428 S	11/2014	Sendatzki et al.		2016/0279334 A1	9/2016	Daniel
D717,940 S	11/2014	Magome et al.		2016/0317745 A1	11/2016	Kjeldsen et al.
8,888,713 B2	11/2014	Crawford et al.		2016/0375196 A1	12/2016	Wilmot et al.
9,022,982 B2	5/2015	Karlsson et al.		2018/0008775 A1 *	1/2018	Stefanov A61M 5/2053
9,078,973 B2	7/2015	Harms et al.		2018/0311442 A1	11/2018	Saussaye et al.
9,132,236 B2	9/2015	Karlsson et al.		2018/0339109 A1 *	11/2018	Halseth A61M 5/20
D740,937 S	10/2015	Schneider et al.		2018/0353692 A1	12/2018	Saussaye et al.
9,199,038 B2	12/2015	Daniel				
9,216,251 B2	12/2015	Daniel				
9,220,841 B2	12/2015	Daniel				
9,220,847 B2	12/2015	Holmqvist et al.				
9,247,899 B2	2/2016	Shaw et al.				
D752,211 S	3/2016	Sanders et al.		EP	2716318	4/2014
D755,369 S	5/2016	Sanders et al.		FR	3043562	5/2017
D755,370 S	5/2016	Riess et al.		WO	WO 2015/026737	2/2015
D757,254 S	5/2016	Wohlfahrt et al.		WO	WO 2019/006296	11/2018
D757,255 S	5/2016	Wohlfahrt et al.				
D758,567 S	6/2016	Wohlfahrt et al.				
D758,568 S *	6/2016	Wohlfahrt D24/113				
D758,569 S	6/2016	Wohlfahrt et al.				
D758,570 S *	6/2016	Wohlfahrt D24/113				
D764,657 S	8/2016	Bokelman et al.				
D765,240 S *	8/2016	Hauck D24/113				
D770,038 S *	10/2016	Ahlgrim D24/113				
9,468,722 B2	10/2016	Olson				
D773,039 S	11/2016	Sanders et al.				
D773,648 S	12/2016	Wohlfahrt et al.				
D774,639 S *	12/2016	Saussaye D24/113				
D774,641 S	12/2016	Miggels et al.				
D777,907 S	1/2017	AmenDKwasnik et al.				
9,566,380 B1	2/2017	Tcholakian				
D780,909 S	3/2017	Burkett et al.				
9,586,010 B2	3/2017	Mesa et al.				
9,604,004 B2	3/2017	Jakobsen				
D796,025 S *	8/2017	Lo D24/108				
D810,281 S *	2/2018	Holmqvist D24/112				

FOREIGN PATENT DOCUMENTS

EP	2716318	4/2014
FR	3043562	5/2017
WO	WO 2015/026737	2/2015
WO	WO 2019/006296	11/2018

OTHER PUBLICATIONS

SHL Medical Products Molly Auto Injectors (http://www.shl-group.com/Products_SHLMedical_AutoInjectors_Molly.html), last accessed Jul. 26, 2018.

International Search Report and Written Opinion issued in Application No. PCT/US2018/040282 dated Nov. 13, 2018, 13 pages.

* cited by examiner

Primary Examiner — Nathan M Johnston
(74) *Attorney, Agent, or Firm* — Fish & Richardson P.C.

(57) CLAIM

The ornamental design for an injection device, substantially as shown and described.

DESCRIPTION

FIG. 1 is a first perspective view of an injection device showing our new design;

FIG. 2 is a second perspective view thereof;

FIG. 3 is a front view thereof;

FIG. 4 is a back view thereof;

FIG. 5 is a side view thereof;

FIG. 6 is a top view thereof; and,

FIG. 7 is a bottom view thereof.

The broken lines show portions of the design that form no part of the claimed design.

1 Claim, 4 Drawing Sheets

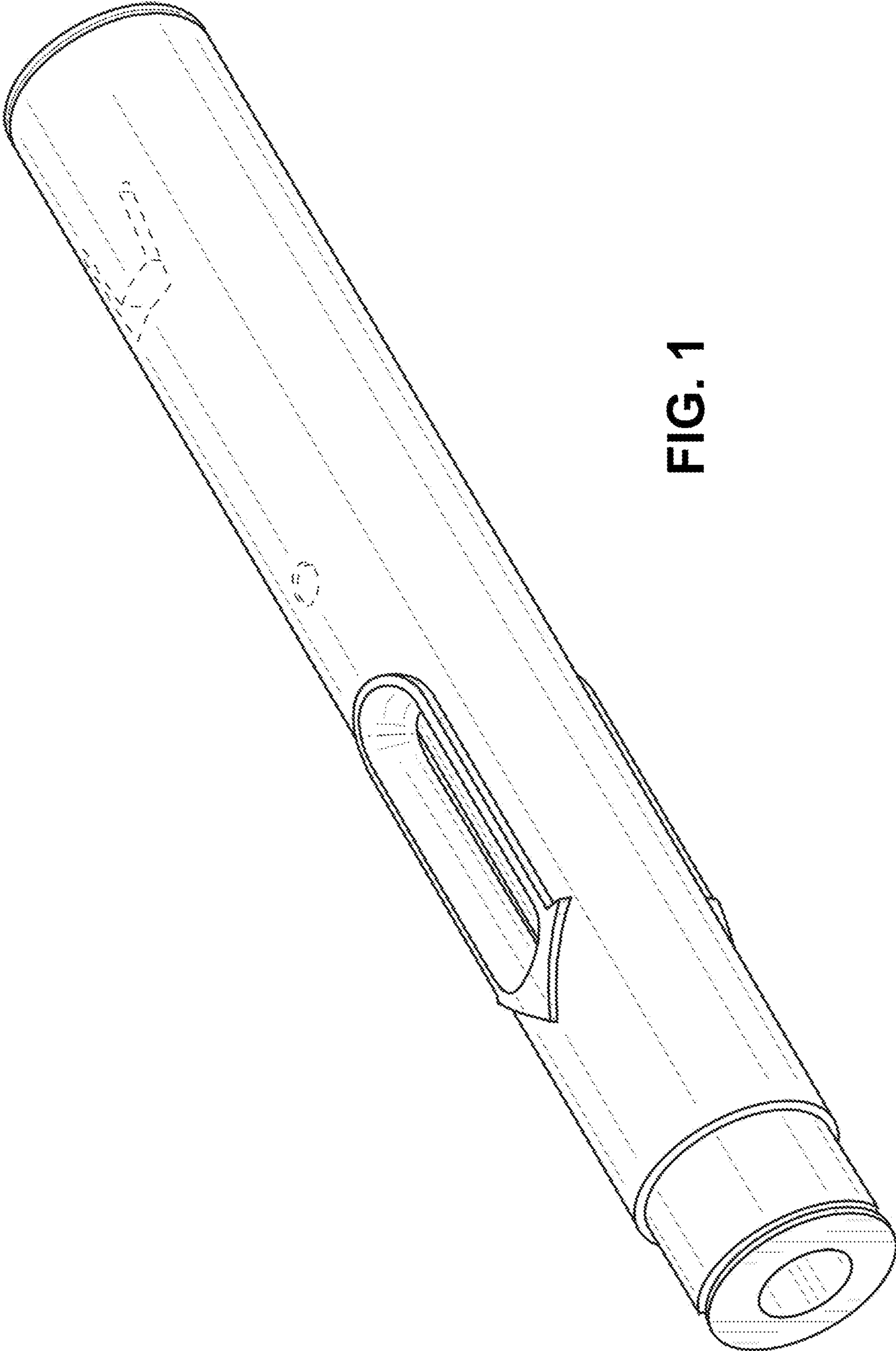


FIG. 1

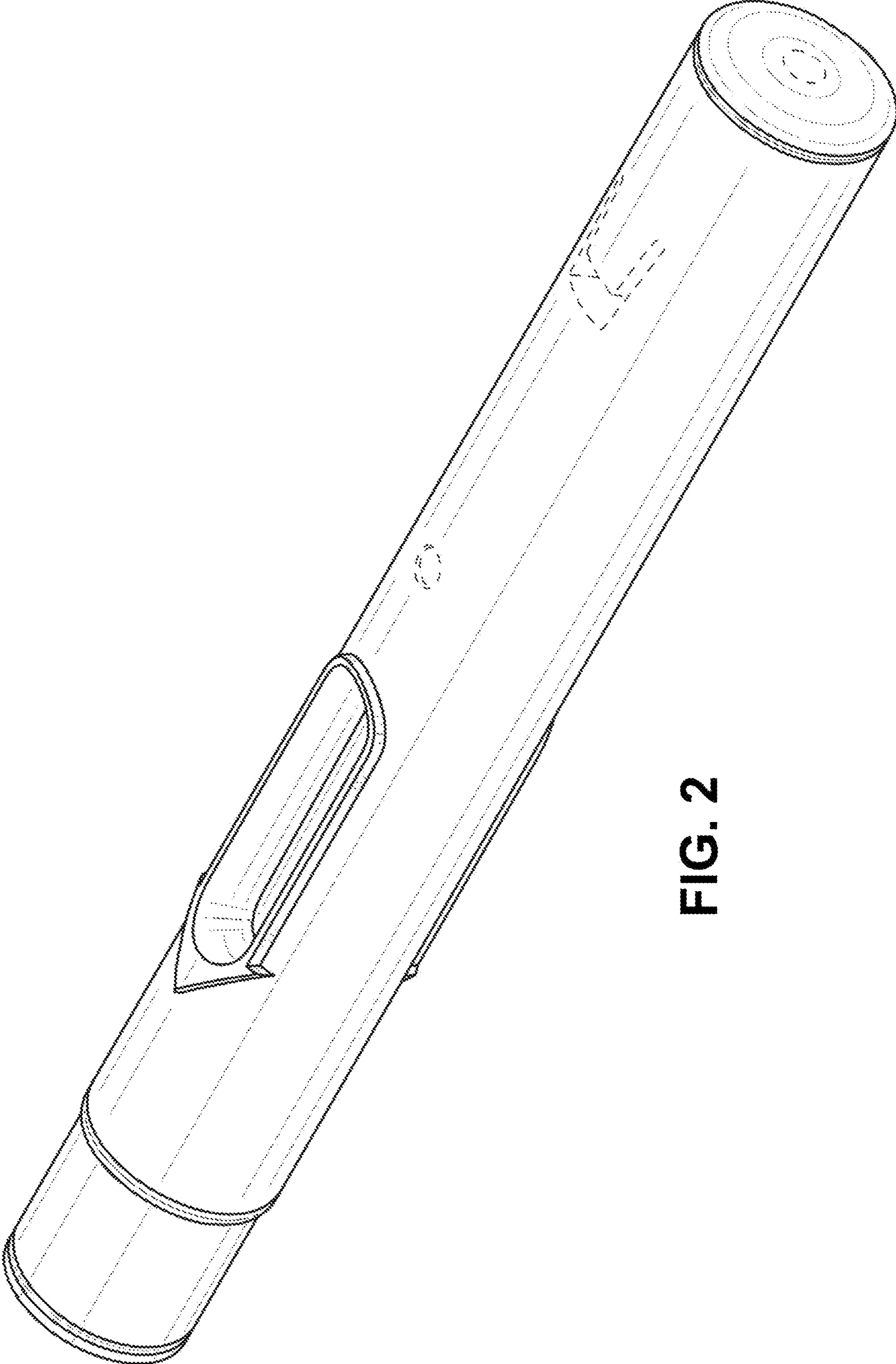


FIG. 2

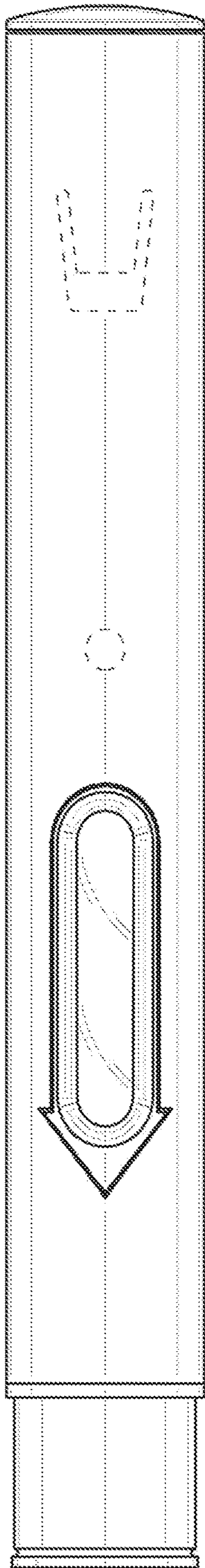


FIG. 3

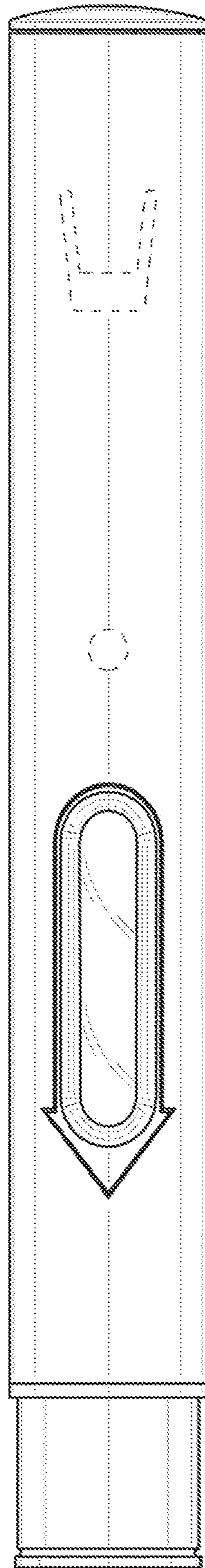


FIG. 4

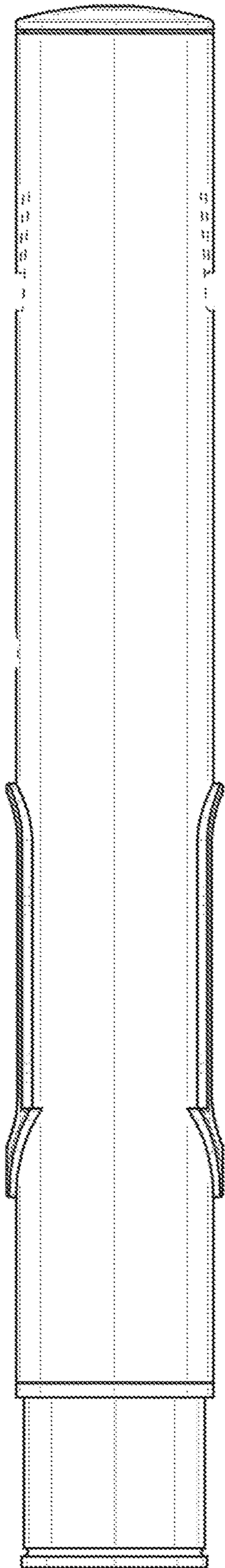


FIG. 5

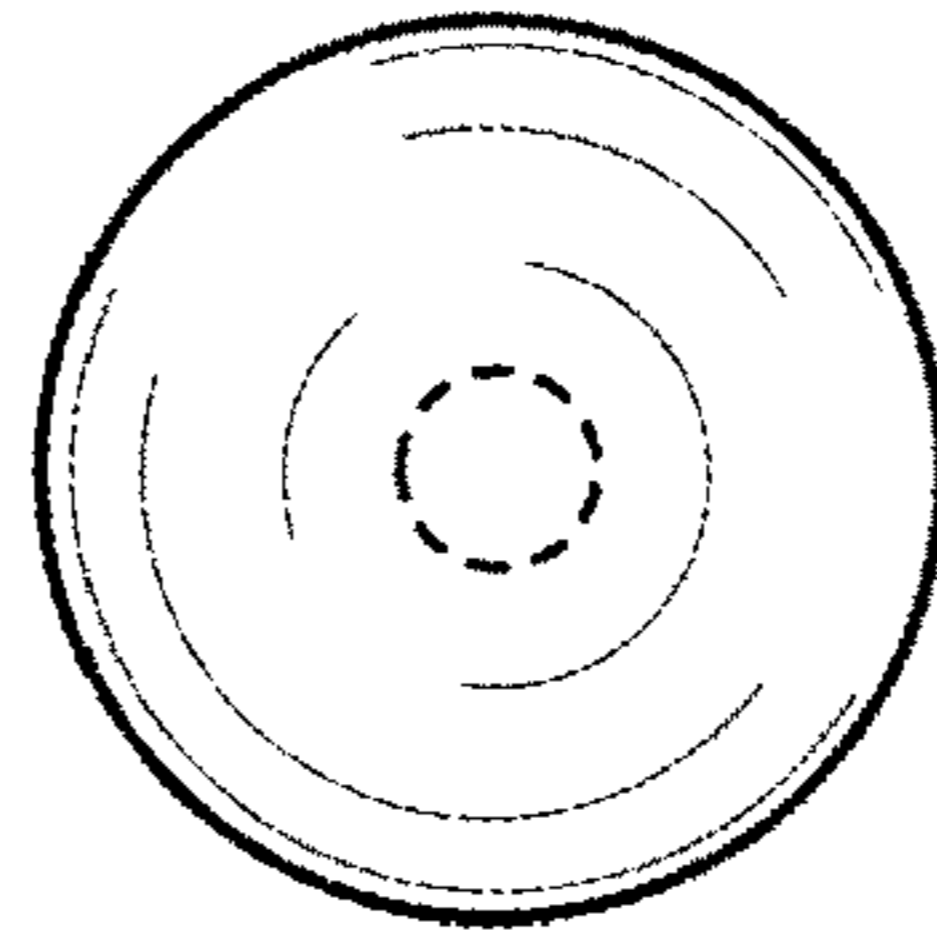


FIG. 7

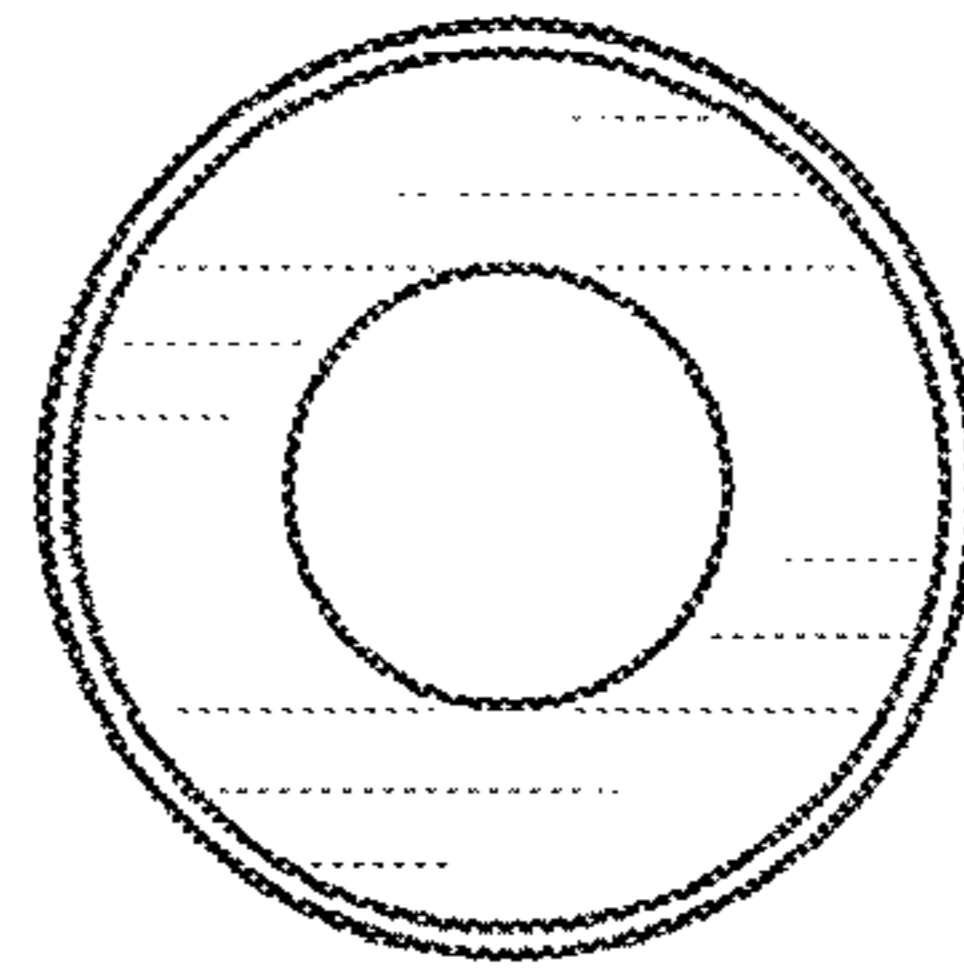


FIG. 6