

US00D892311S

(12) **United States Design Patent** (10) **Patent No.:** **US D892,311 S**
Nicholas et al. (45) **Date of Patent:** **** Aug. 4, 2020**

(54) **INJECTION DEVICE**

(71) Applicant: **Sanofi-Aventis Deutschland GMBH**,
Frankfurt am Main (DE)

(72) Inventors: **Courtney Nicholas**, East Greenbush,
NY (US); **Scott Barton**, East
Greenbush, NY (US); **Alex Zuyev**,
Frankfurt am Main (DE); **Alexei**
Goraltchouk, East Greenbush, NY
(US); **Bart Burgess**, East Greenbush,
NY (US)

(73) Assignee: **Sanofi-Aventis Deutschland GMBH**,
Frankfurt am Main (DE)

(**) Term: **15 Years**

(21) Appl. No.: **29/645,281**

(22) Filed: **Apr. 25, 2018**

(30) **Foreign Application Priority Data**

Oct. 25, 2017 (EM) 004420388

(51) **LOC (12) Cl.** **24-02**

(52) **U.S. Cl.**
USPC **D24/113**

(58) **Field of Classification Search**
USPC D24/112-114, 133, 186, 127-131;
606/181, 185; 604/264, 272, 115, 232,
604/187, 158, 164.08, 192, 263, 163, 181,
604/184, 198, 227; 600/101, 139, 143;
128/200.24, 207.14, 207.15;
D19/115-123, 177, 193
CPC A61M 5/3156; A61M 5/31591; A61M
5/3155; A61M 5/3157; A61M 5/24;
A61M 5/31501; A61M 5/31551; A61M
5/31585; A61M 2005/2407; A61M
2005/2492; A61M 2205/581; A61M
2205/582

See application file for complete search history.

(56) **References Cited**

U.S. PATENT DOCUMENTS

4,046,145 A	9/1977	Choksi et al.
4,840,185 A	6/1989	Hernandez
4,900,309 A	2/1990	Netherton et al.
4,986,817 A	1/1991	Code
5,147,328 A	9/1992	Dragosits et al.

(Continued)

FOREIGN PATENT DOCUMENTS

EP	2716318	4/2014
FR	3043562	5/2017

(Continued)

OTHER PUBLICATIONS

SHL Medical Products Molly Auto Injectors (http://www.shl-group.com/Products_SHLMedical_AutoInjectors_Molly.html), last accessed Jul. 26, 2018.

(Continued)

Primary Examiner — Nathan M Johnston

(74) *Attorney, Agent, or Firm* — Fish & Richardson P.C.

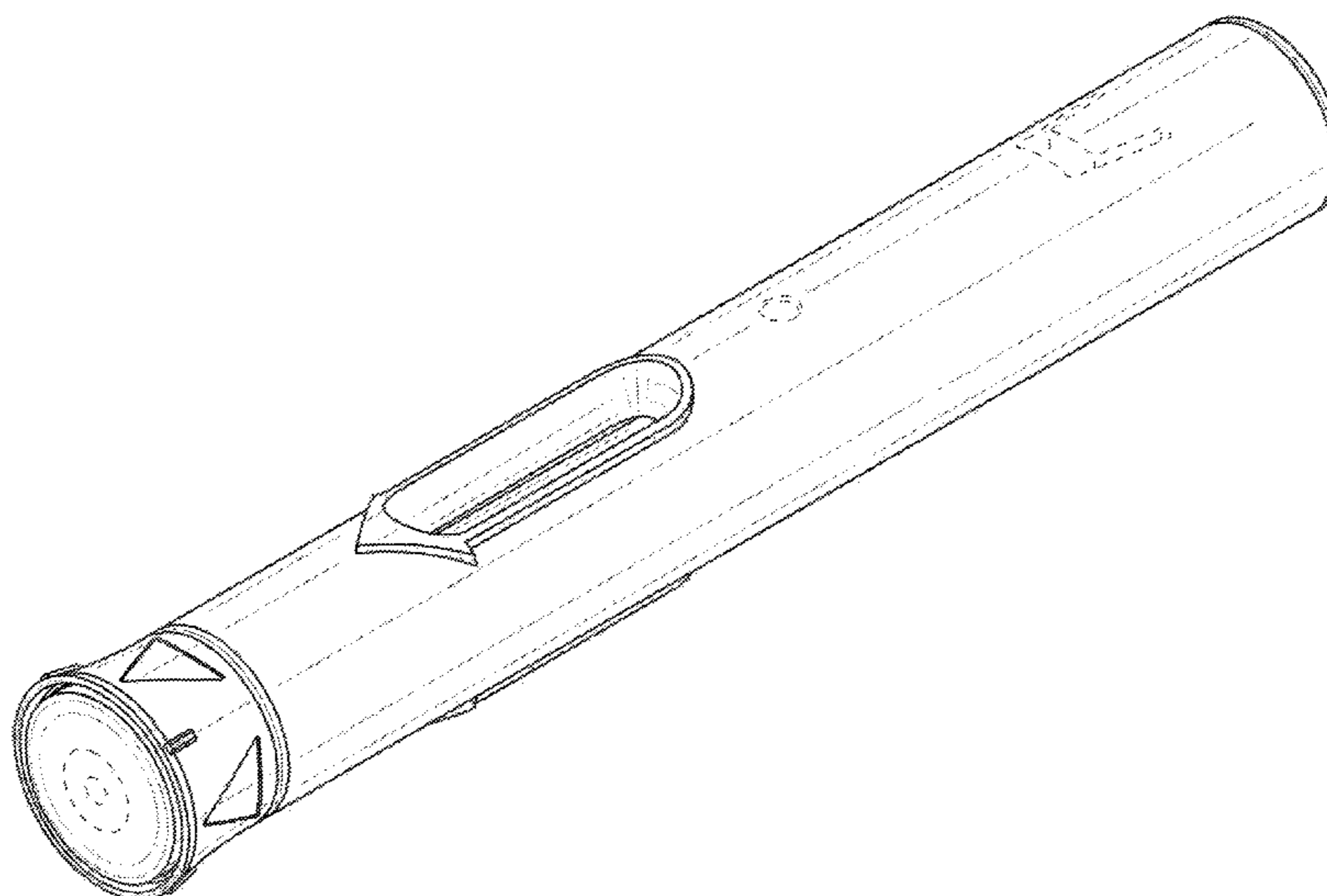
(57) **CLAIM**

The ornamental design for an injection device, substantially as shown and described.

DESCRIPTION

FIG. 1 is a first perspective view of an injection device showing our new design;
FIG. 2 is a second perspective view thereof;
FIG. 3 is a front elevation view thereof;
FIG. 4 is a rear elevation view thereof;
FIG. 5 is a side elevation view thereof;
FIG. 6 is a top plan view thereof; and,
FIG. 7 is a bottom view thereof.
The broken lines show portions of the design that form no part of the claimed design.

1 Claim, 4 Drawing Sheets



(56)

References Cited

U.S. PATENT DOCUMENTS

5,336,197 A	8/1994	Kuracina et al.	D707,351 S	6/2014	Kunze	
5,509,903 A	4/1996	Grendahl et al.	D707,352 S	6/2014	Liu et al.	
5,519,931 A	5/1996	Reich	D708,317 S *	7/2014	Schneider	D24/113
5,554,127 A	9/1996	Crouther et al.	8,801,679 B2	9/2014	Iio et al.	
5,554,133 A	9/1996	Haffner et al.	8,821,451 B2	9/2014	Daniel	
5,716,346 A	2/1998	Farris	D714,932 S *	10/2014	Hall	D24/112
5,843,036 A	12/1998	Olive et al.	D715,422 S	10/2014	Hall et al.	
5,997,513 A	12/1999	Smith et al.	D716,442 S	10/2014	Magome et al.	
D426,299 S	6/2000	Bydlon et al.	8,864,718 B2	10/2014	Karlsen et al.	
D428,651 S	7/2000	Andersson et al.	8,870,827 B2	10/2014	Young et al.	
6,206,855 B1	3/2001	Kunkel et al.	D717,428 S	11/2014	Sendatzki et al.	
D462,760 S	9/2002	Ahlgrim et al.	D717,940 S	11/2014	Magome et al.	
D479,599 S	9/2003	Bainton	8,888,713 B2	11/2014	CrawforD et al.	
D479,601 S	9/2003	Tyce	D728,782 S *	5/2015	Dubuc	D24/113
D479,602 S	9/2003	Bainton	9,022,982 B2	5/2015	Karlsson et al.	
D479,603 S	9/2003	Tyce	9,078,973 B2	7/2015	Harms et al.	
D479,747 S	9/2003	Bainton	9,132,236 B2	9/2015	Karlsson et al.	
D479,748 S	9/2003	Tyce	D740,937 S	10/2015	Schneider et al.	
D481,120 S	10/2003	Hawley et al.	9,199,038 B2	12/2015	Daniel	
D488,864 S	4/2004	Fago et al.	9,216,251 B2	12/2015	Daniel	
D490,149 S	5/2004	Hawley et al.	9,220,841 B2	12/2015	Daniel	
D490,150 S	5/2004	Hawley et al.	9,220,847 B2	12/2015	Holmqvist et al.	
D490,151 S	5/2004	Hawley et al.	9,247,899 B2	2/2016	Shaw et al.	
D492,027 S	6/2004	Tyce et al.	D752,211 S	3/2016	Sanders et al.	
D492,405 S	6/2004	Bainton	D755,369 S	5/2016	Sanders et al.	
D493,526 S	7/2004	Hwang	D755,370 S	5/2016	Riess et al.	
7,189,217 B2	3/2007	Chang et al.	D757,254 S	5/2016	Wohlfahrt et al.	
7,307,265 B2	12/2007	Polsinelli et al.	D757,255 S *	5/2016	Wohlfahrt	D24/113
D561,894 S	2/2008	Hudson	D758,567 S *	6/2016	Wohlfahrt	D24/113
7,338,474 B2	3/2008	Kirk	D758,568 S	6/2016	Wohlfahrt et al.	
7,414,254 B2	8/2008	Polsinelli et al.	D758,569 S *	6/2016	Wohlfahrt	D24/113
D581,047 S	11/2008	Koshidaka	D764,657 S	8/2016	Bokelman et al.	
7,449,012 B2	11/2008	Young et al.	D770,038 S *	10/2016	Ahlgrim	D24/113
D598,539 S	8/2009	Tyce	9,468,722 B2	10/2016	Olson	
D599,008 S	8/2009	Tyce	D770,610 S *	11/2016	Saussaye	D24/113
D599,009 S	8/2009	Tyce	D773,039 S	11/2016	Sanders et al.	
D599,010 S	8/2009	Tyce	D773,648 S *	12/2016	Wohlfahrt	D24/113
D599,011 S	8/2009	Tyce	9,566,380 B1	2/2017	Tcholakian	
D600,794 S	9/2009	Tyce	D780,909 S *	3/2017	Burkett	D24/113
D600,795 S	9/2009	Tyce	9,586,010 B2	3/2017	Mesa et al.	
D606,649 S	12/2009	Tyce	9,604,004 B2	3/2017	Jakobsen	
D606,650 S	12/2009	Tyce	D793,547 S *	8/2017	Burkett	D24/112
7,635,348 B2	12/2009	Raven et al.	D794,178 S *	8/2017	Daniel	A61M 5/2033
D608,442 S	1/2010	Tyce				D24/113
D610,251 S	2/2010	Tyce	D810,282 S *	2/2018	Ratjen	D24/113
D610,252 S	2/2010	Tyce	D814,022 S *	3/2018	Boyaval	D24/113
D610,676 S	2/2010	Tyce	D819,198 S *	5/2018	Boyaval	D24/113
D612,486 S	3/2010	Van der Stappen	D819,200 S *	5/2018	Stonecipher	D24/114
7,682,155 B2	3/2010	Raven et al.	D822,198 S *	7/2018	Stonecipher	D24/113
D619,247 S	7/2010	Loe, Jr.	D827,127 S *	8/2018	Donnelly	D24/113
7,794,432 B2	9/2010	Young et al.	2004/0116875 A1	6/2004	Fischer et al.	
D628,690 S *	12/2010	Galbraith	2007/0039156 A1	2/2007	Reich	
7,846,136 B2	12/2010	Witowski	2007/0113861 A1	5/2007	Knudsen et al.	
7,905,352 B2	3/2011	Wyrick	2008/0009808 A1	1/2008	Berler	
D641,077 S	7/2011	Sanders et al.	2008/0269692 A1	10/2008	James et al.	
D651,305 S	12/2011	Hawley et al.	2008/0289984 A1	11/2008	Raven et al.	
8,269,201 B2	9/2012	Fago et al.	2013/0030375 A1	1/2013	Daily et al.	
D671,638 S	11/2012	Young et al.	2013/0041328 A1	2/2013	Daniel	
D676,957 S	2/2013	Schneider et al.	2013/0041347 A1	2/2013	Daniel	
8,376,998 B2	2/2013	Daily et al.	2013/0281934 A1	10/2013	Wilmot et al.	
D677,380 S	3/2013	Julian et al.	2014/0330216 A1 *	11/2014	Weaver	A61M 5/31513
D688,790 S	8/2013	Guarraia et al.				604/198
D688,791 S	8/2013	Guarraia et al.	2014/0358037 A1	12/2014	CrawforD et al.	
D688,793 S	8/2013	Guarraia et al.	2014/0364812 A1 *	12/2014	Lumme	A61M 5/2033
D690,416 S	9/2013	Cappello et al.				604/198
8,529,510 B2	9/2013	Giambattista et al.	2015/0011944 A1	1/2015	Young et al.	
D692,129 S	10/2013	Dubuc et al.	2015/0045742 A1	2/2015	Cheung	
D694,879 S	12/2013	Julian et al.	2015/0051580 A1	2/2015	Shain et al.	
D695,892 S	12/2013	Cappello et al.	2015/0065960 A1	3/2015	Osman	
D696,397 S	12/2013	Guarraia et al.	2015/0073383 A1	3/2015	Wilmot et al.	
D696,771 S	12/2013	Schneider et al.	2015/0080807 A1	3/2015	Schneider et al.	
D696,773 S	12/2013	Schneider et al.	2015/0352278 A1	12/2015	Morita et al.	
D696,775 S	12/2013	Guarraia et al.	2015/0374918 A1	12/2015	Kumar et al.	
D697,205 S	1/2014	Schneider et al.	2016/0051760 A1	2/2016	Krell et al.	
D703,314 S	4/2014	Schneider et al.	2016/0051764 A1	2/2016	Dreier et al.	
			2016/0067407 A1	3/2016	Daniel	
			2016/0089498 A1	3/2016	Daniel	
			2016/0144132 A1 *	5/2016	Scanlon	A61M 5/3204
						604/192

(56)

References Cited

U.S. PATENT DOCUMENTS

2016/0158460 A1 6/2016 Mesa et al.
2016/0213845 A1 7/2016 Holmqvist
2016/0263327 A1 9/2016 Radmer et al.
2016/0279334 A1 9/2016 Daniel
2016/0303327 A1* 10/2016 Moren A61M 5/2033
2016/0317745 A1 11/2016 Kjeldsen et al.
2016/0375196 A1 12/2016 Wilmot et al.
2018/0104414 A1* 4/2018 Karlsson A61M 5/2033
2018/0154078 A1* 6/2018 Mosebach A61M 5/2033
2018/0311442 A1 11/2018 Saussaye et al.
2018/0353692 A1 12/2018 Saussaye et al.
2018/0361082 A1* 12/2018 Sall A61M 5/5086

FOREIGN PATENT DOCUMENTS

WO WO 2015/026737 2/2015
WO WO 2019/006296 1/2019

OTHER PUBLICATIONS

International Search Report and Written Opinion issued in Application No. PCT/US2018/040282, dated Nov. 13, 2018, 9 pages.

* cited by examiner

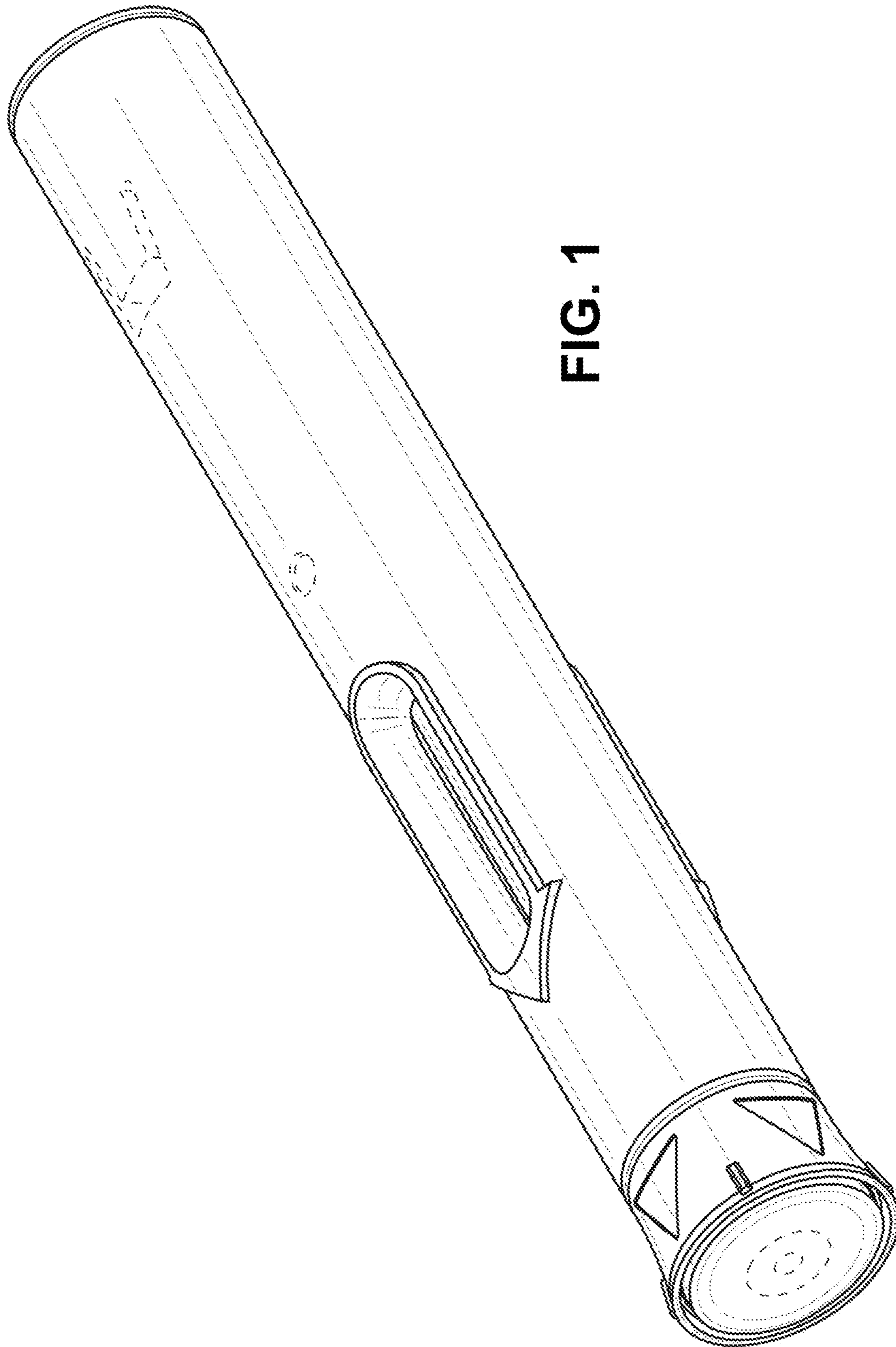


FIG. 1

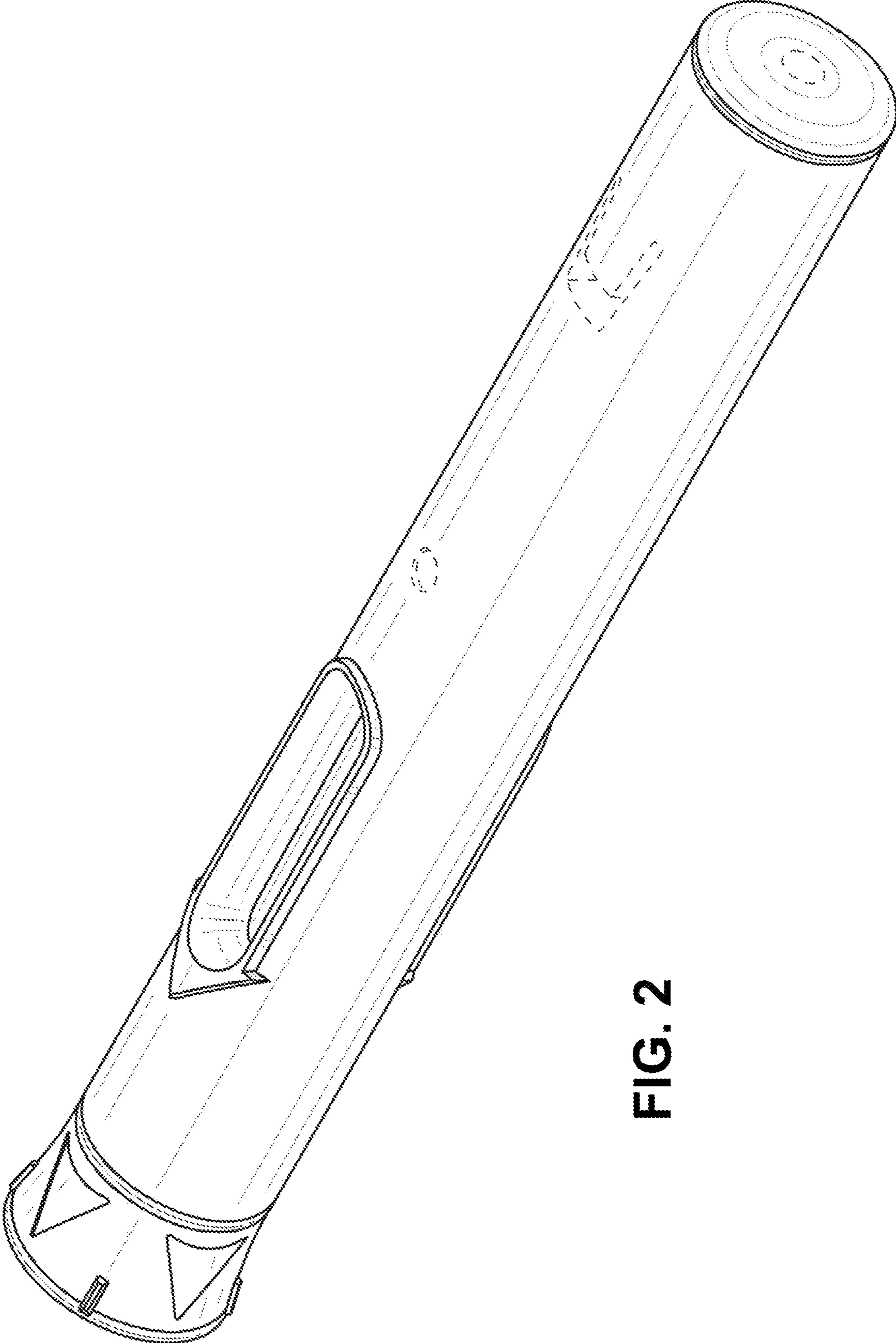


FIG. 2

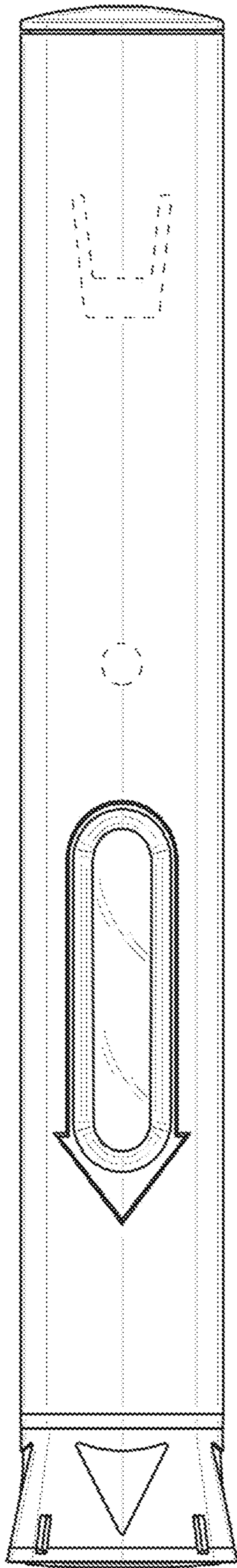


FIG. 3

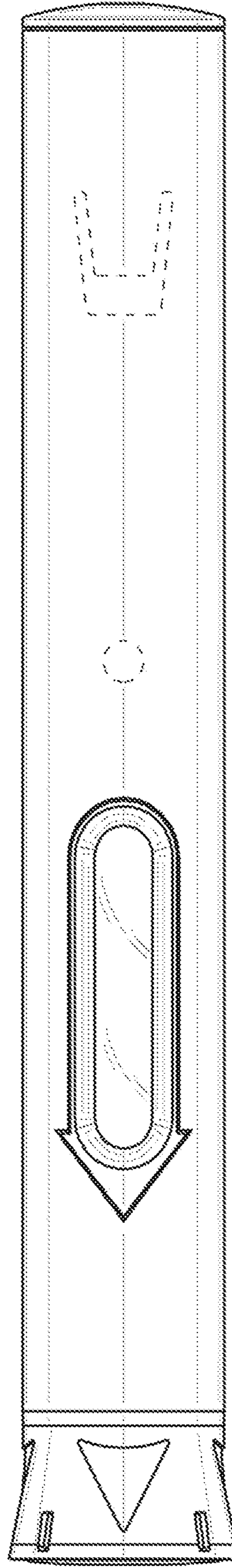


FIG. 4

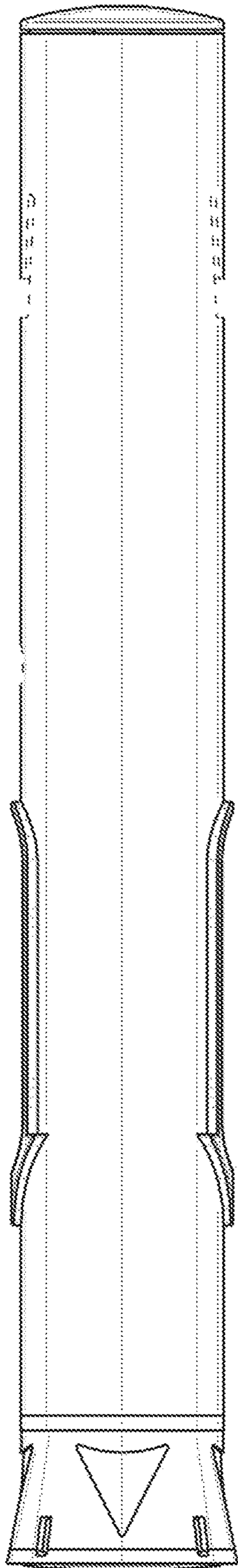


FIG. 5

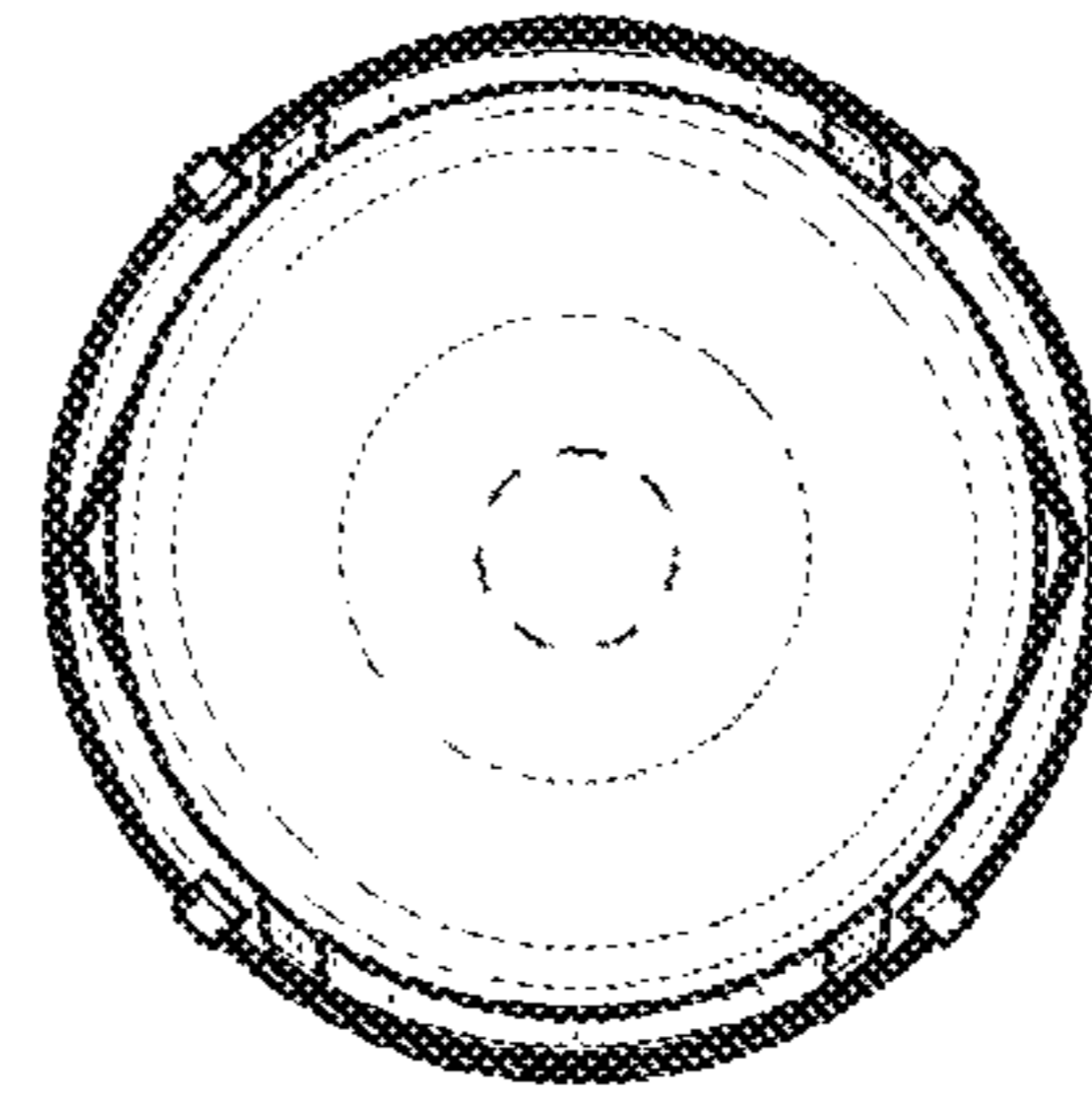


FIG. 6

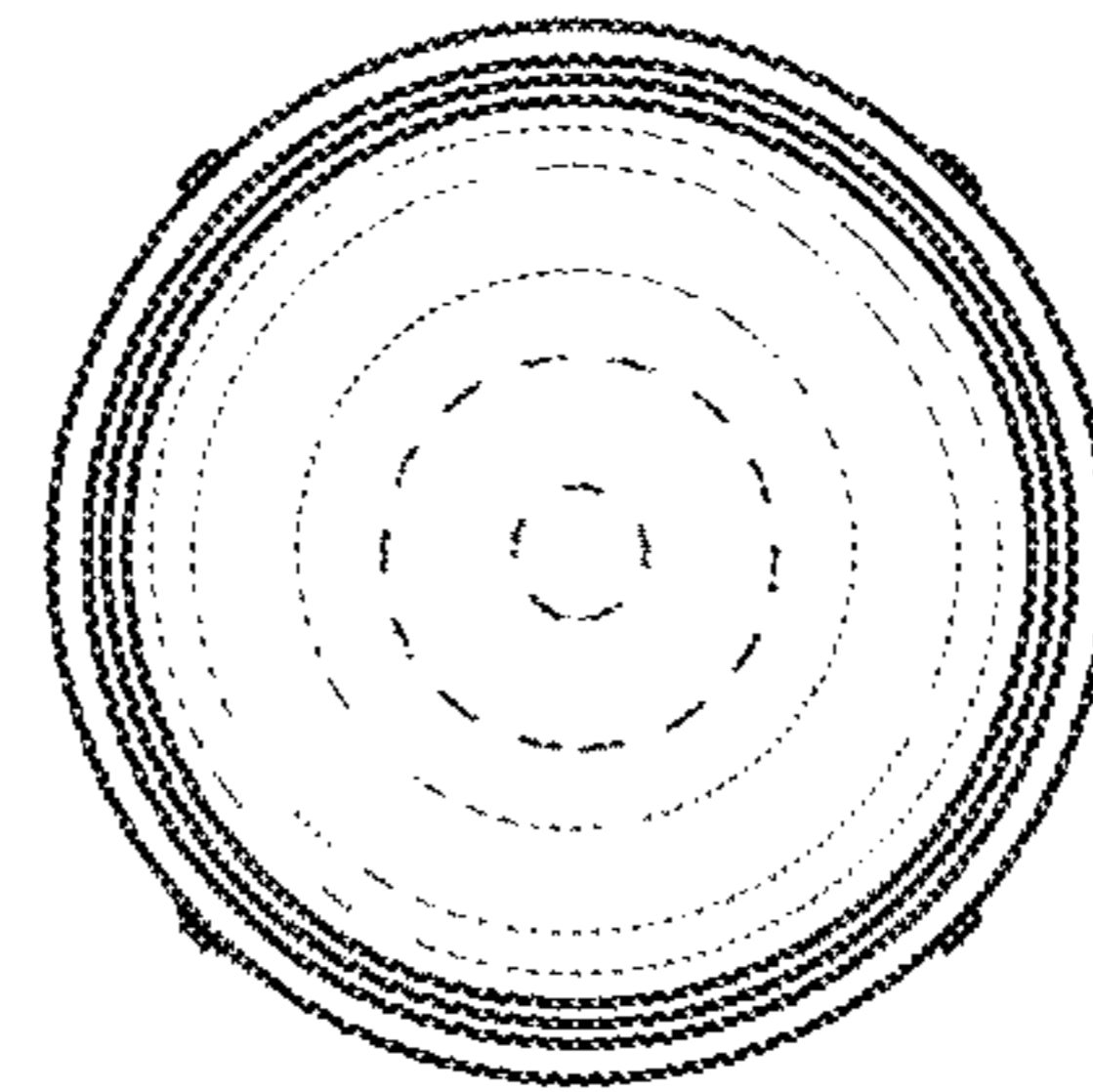


FIG. 7