



US00D892309S

(12) **United States Design Patent** (10) **Patent No.:** **US D892,309 S**  
**Archat et al.** (45) **Date of Patent:** **\*\* \*Aug. 4, 2020**

(54) **HANDBSET FOR A MEDICAL INFUSION PUMP**

(71) Applicant: **Fresenius Vial SAS**, Brezins (FR)

(72) Inventors: **Damien Archat**, Grenoble (FR); **Gilles David**, Saint Geoirs (FR); **Remi Duprez**, Coublevie (FR); **Mathieu Paoli**, La Murette (FR); **Florie Perrigouard**, St Etienne de St Geoirs (FR); **Jean-Marc Ulrich**, Saint Jean de Moirans (FR); **Philippe Traversaz**, Saint Blaise du Buis (FR)

(73) Assignee: **Fresenius Vial SAS**, Brezins (FR)

(\*) Notice: This patent is subject to a terminal disclaimer.

(\*\*) Term: **15 Years**

(21) Appl. No.: **29/640,701**

(22) Filed: **Mar. 16, 2018**

(30) **Foreign Application Priority Data**

Sep. 20, 2017 (EP) ..... 004363752-0002

(51) **LOC (12) Cl.** ..... **24-02**

(52) **U.S. Cl.**  
USPC ..... **D24/111; D24/127**

(58) **Field of Classification Search**  
USPC ..... D24/111, 107, 108, 112, 113, 127, 129

(Continued)

(56) **References Cited**

**U.S. PATENT DOCUMENTS**

D381,417 S \* 7/1997 Simmons ..... D13/168  
D439,657 S \* 3/2001 Bridle ..... D24/113

(Continued)

**OTHER PUBLICATIONS**

Patient Blue Handset with Light. BD. Date viewed: Nov. 19, 2019. Retrieved from internet: <https://www.bd.com/en-za/our-products/infusion/infusion-devices/cme-ambulatory-infusion-systems/accessories/accessories-for-t34-t34l-t34l-pca-syringe-pumps/patient-blue-handset-with-light> (Year: 2019).\*

(Continued)

*Primary Examiner* — Lilyana Bekic

(74) *Attorney, Agent, or Firm* — Cook Alex Ltd.

(57) **CLAIM**

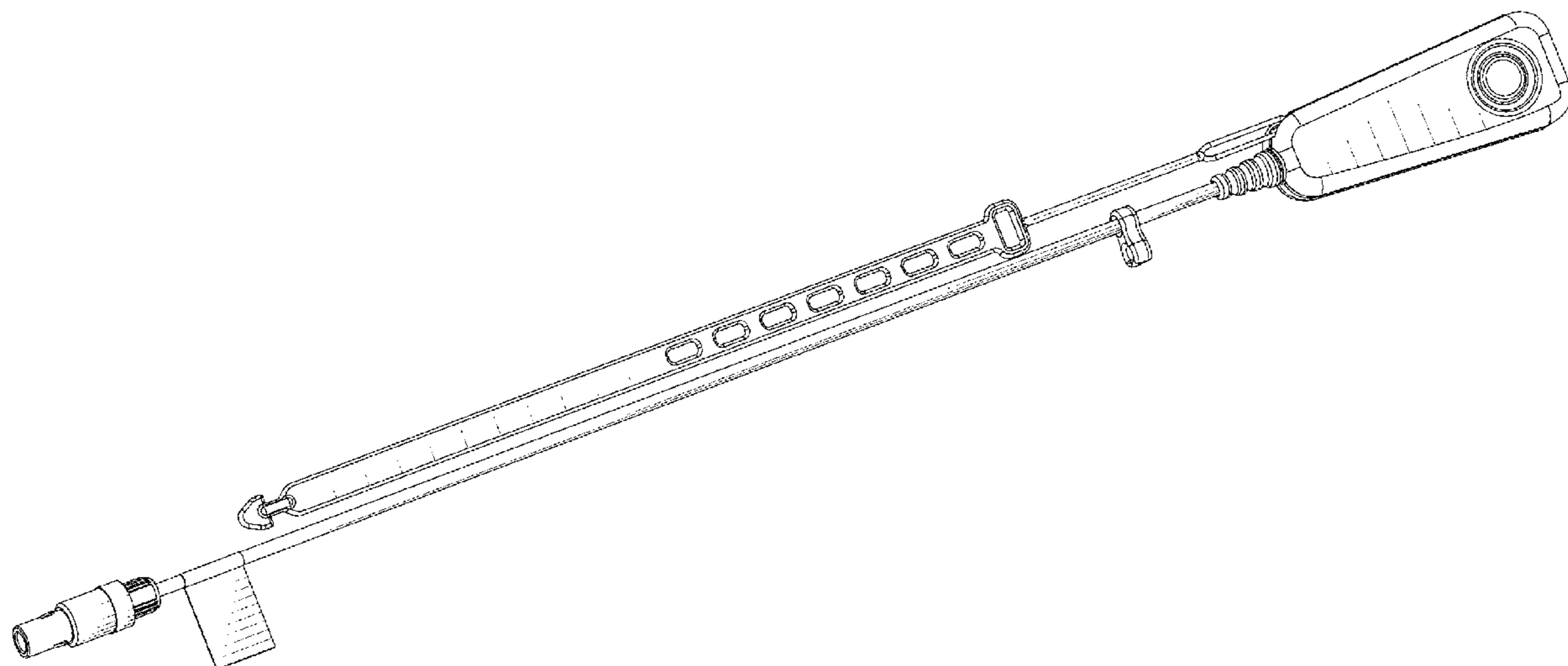
The ornamental design for a handset for a medical infusion pump, as shown and described.

**DESCRIPTION**

FIG. 1 is a top perspective view of a handset for a medical infusion pump showing our new design; FIG. 2 is a front elevational view thereof; FIG. 3 is a rear elevational view thereof; FIG. 4 is a top plan view thereof; FIG. 5 is a bottom plan view thereof; FIG. 6 a right side elevational view thereof; FIG. 7 is a left side elevational view thereof; FIG. 8 is a rear, top, and left side perspective view thereof; FIG. 9 is a front, top, and left side perspective view thereof; FIG. 10 is a front, top, and right side perspective view thereof; FIG. 11 is a rear, top, and right side perspective view thereof; FIG. 12 is a rear, bottom, and left side perspective view thereof; FIG. 13 is a front, bottom, and left side perspective view thereof; FIG. 14 is a front, bottom, and right side perspective view thereof; and, FIG. 15 is a rear, bottom and right side perspective view thereof.

The broken lines in FIG. 7 depict portions of the handset for a medical infusion pump that form no part of the claimed design.

**1 Claim, 15 Drawing Sheets**



(58) **Field of Classification Search**

CPC .. A61M 5/168; A61M 5/142; A61M 5/16804;  
A61M 2205/3334; A61M 5/14

See application file for complete search history.

(56) **References Cited**

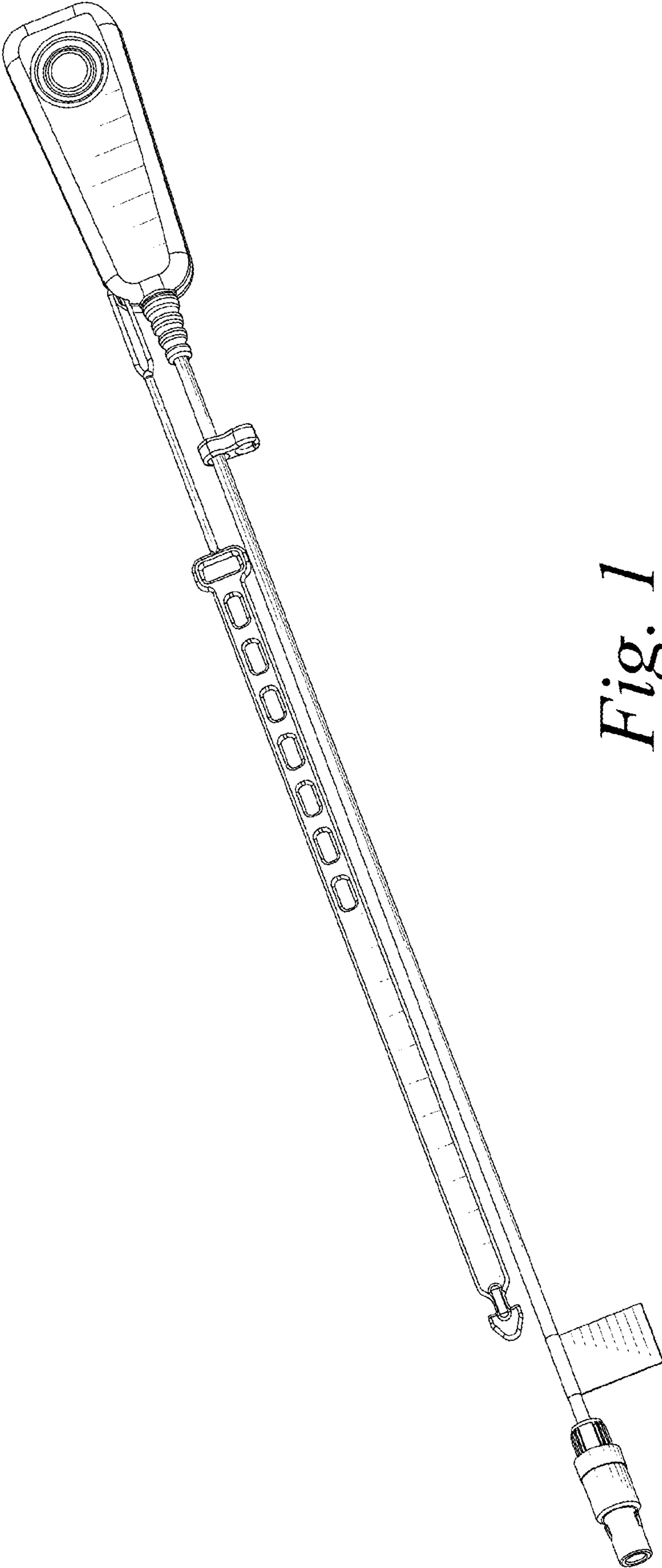
U.S. PATENT DOCUMENTS

D479,324 S *	9/2003	Greaney .....	D24/111
D794,201 S *	8/2017	Newhouse .....	D24/169
D851,256 S *	6/2019	Newhouse .....	D24/169
2005/0033223 A1 *	2/2005	Herrera .....	A61M 5/142
			604/67
2010/0292635 A1 *	11/2010	Sundar .....	A61M 5/16813
			604/67

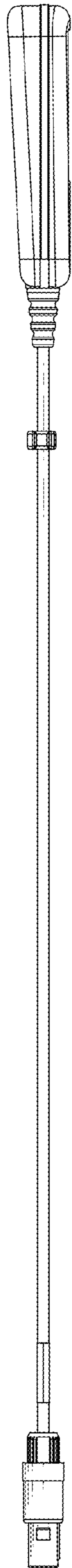
OTHER PUBLICATIONS

CareFusion Infusion Pump Patient Control Cable. DIY Trade. Date viewed: Nov. 19, 2019. Retrieved from internet: [https://www.diytrade.com/china/pd/20384332/CareFusion\\_Infusion\\_Pump\\_Patient\\_Control\\_Cable.html](https://www.diytrade.com/china/pd/20384332/CareFusion_Infusion_Pump_Patient_Control_Cable.html) (Year: 2019).\*

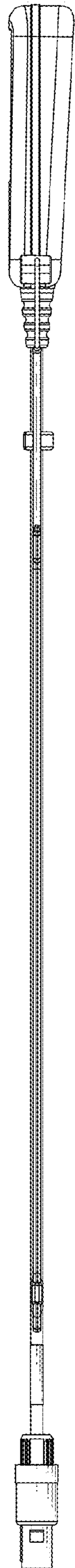
\* cited by examiner



*Fig. 1*



*Fig. 2*



*Fig. 3*

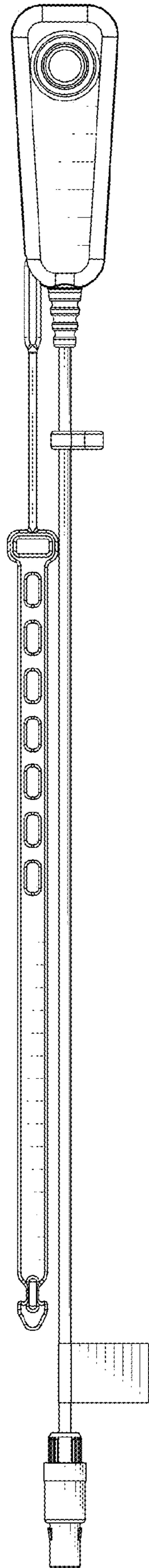
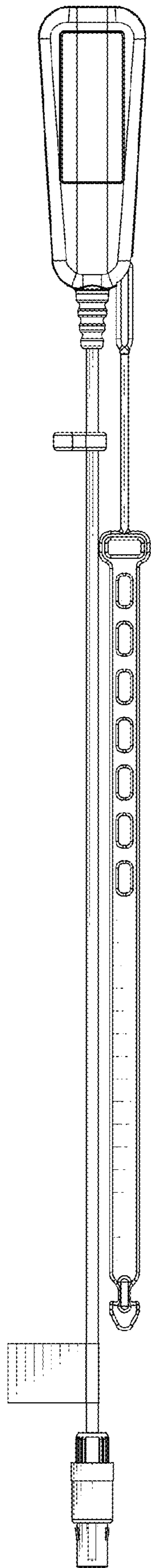
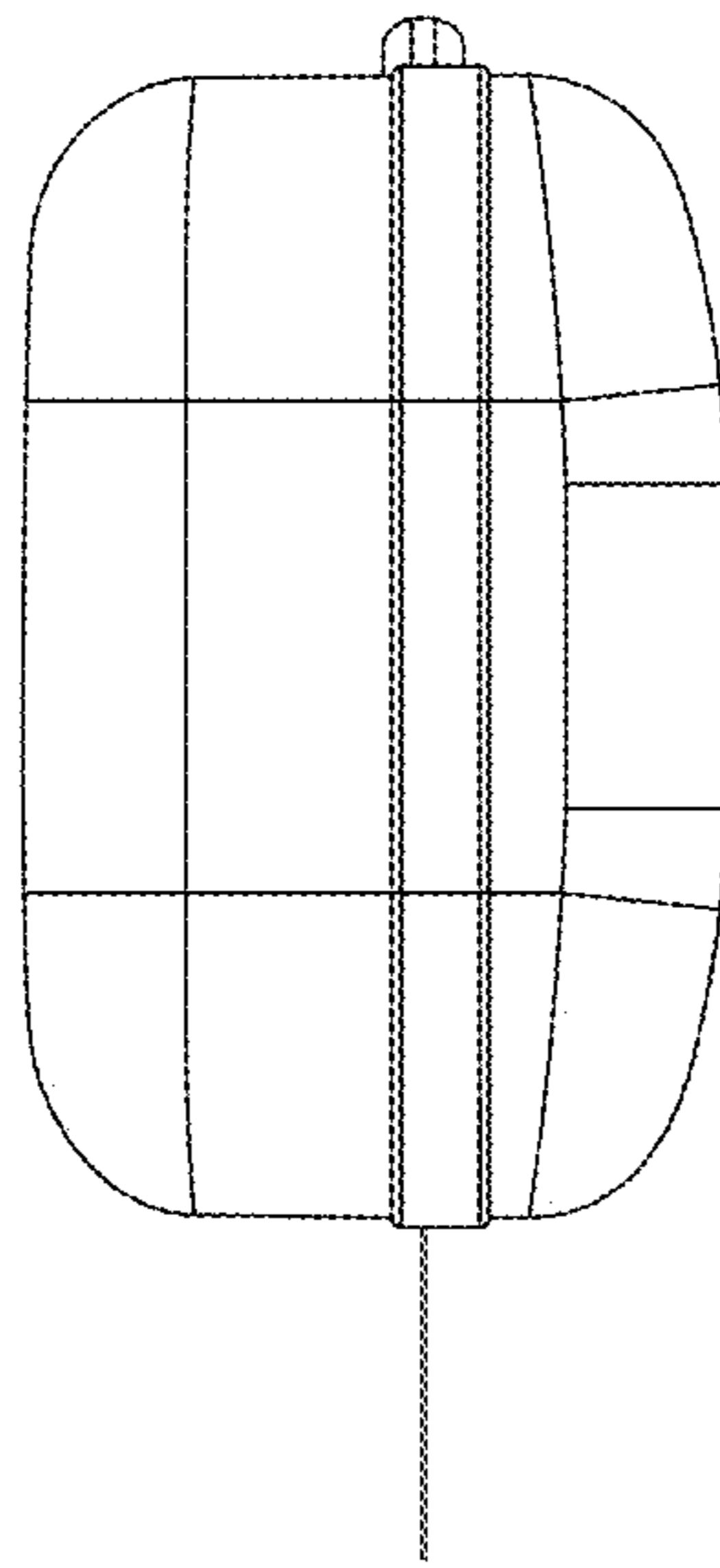


Fig. 4

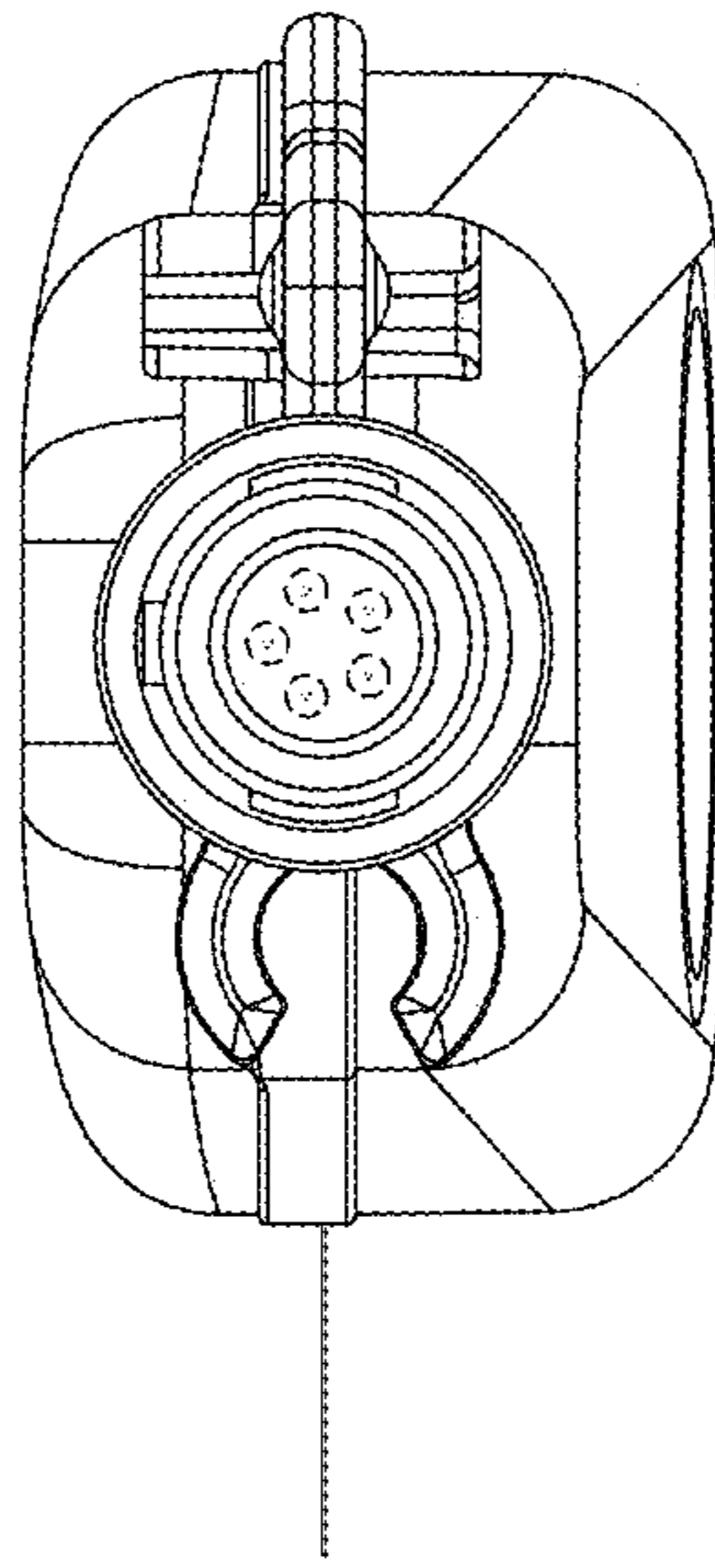


*Fig. 5*



*Fig. 6*

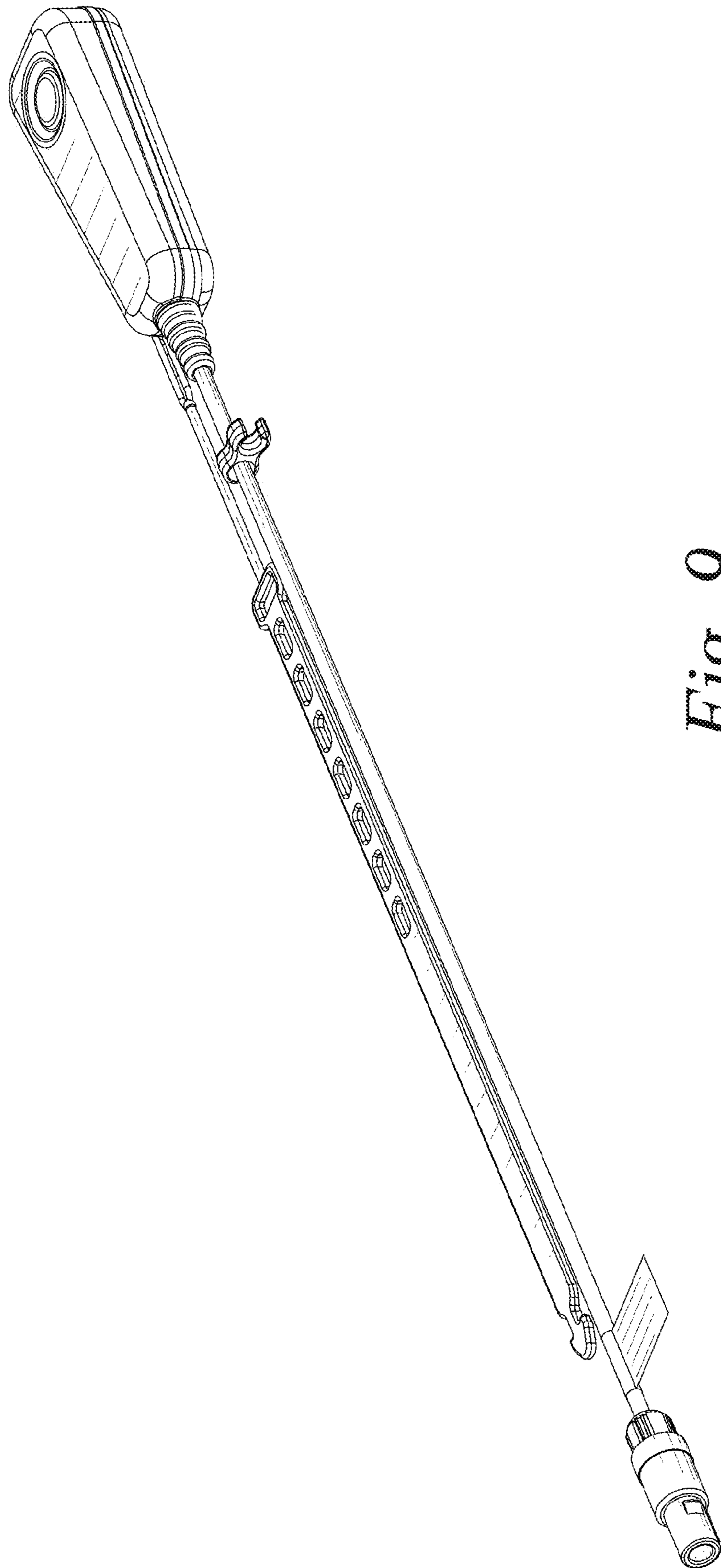




*Fig. 7*



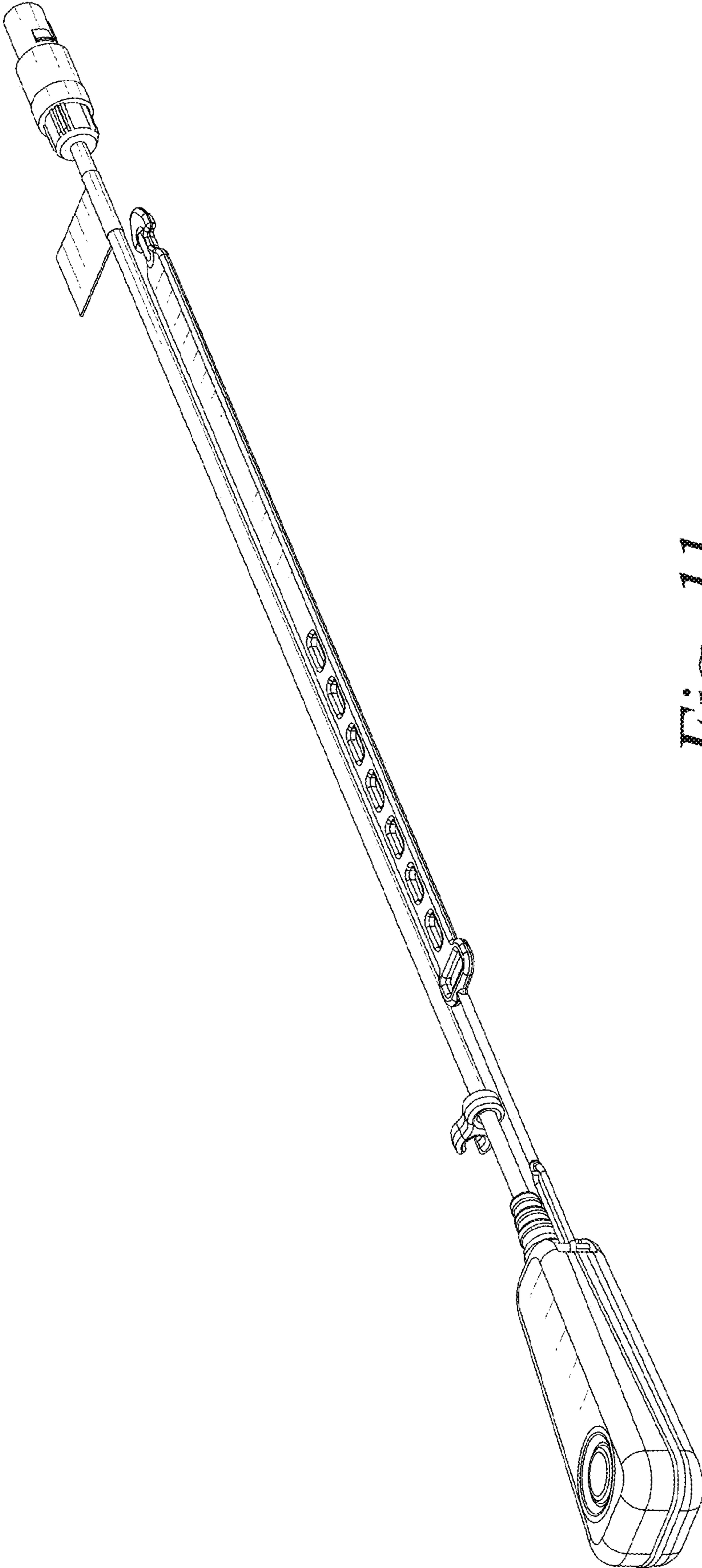
Fig. 8



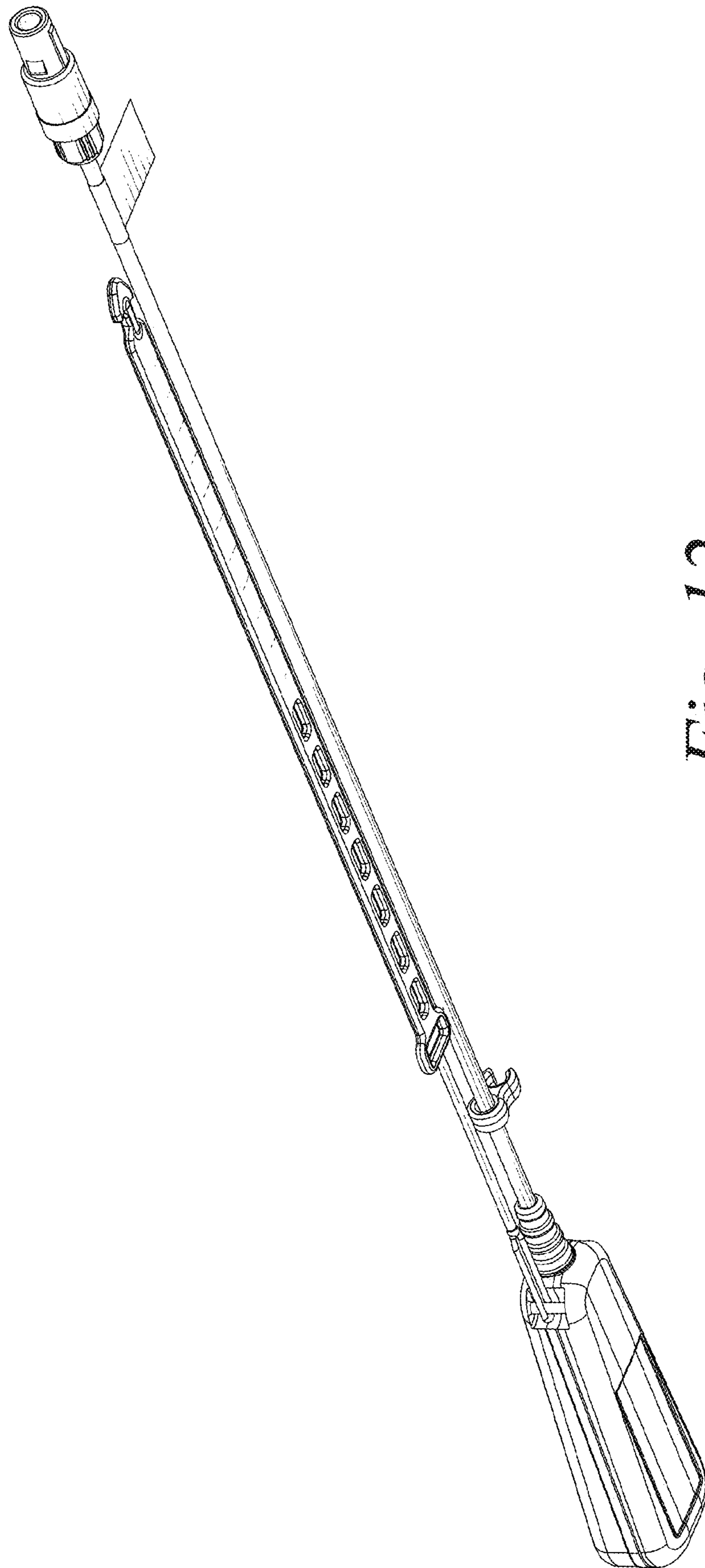
*Fig. 9*



*Fig. 10*



*Fig. 11*



*Fig. 12*



*Fig. 13*

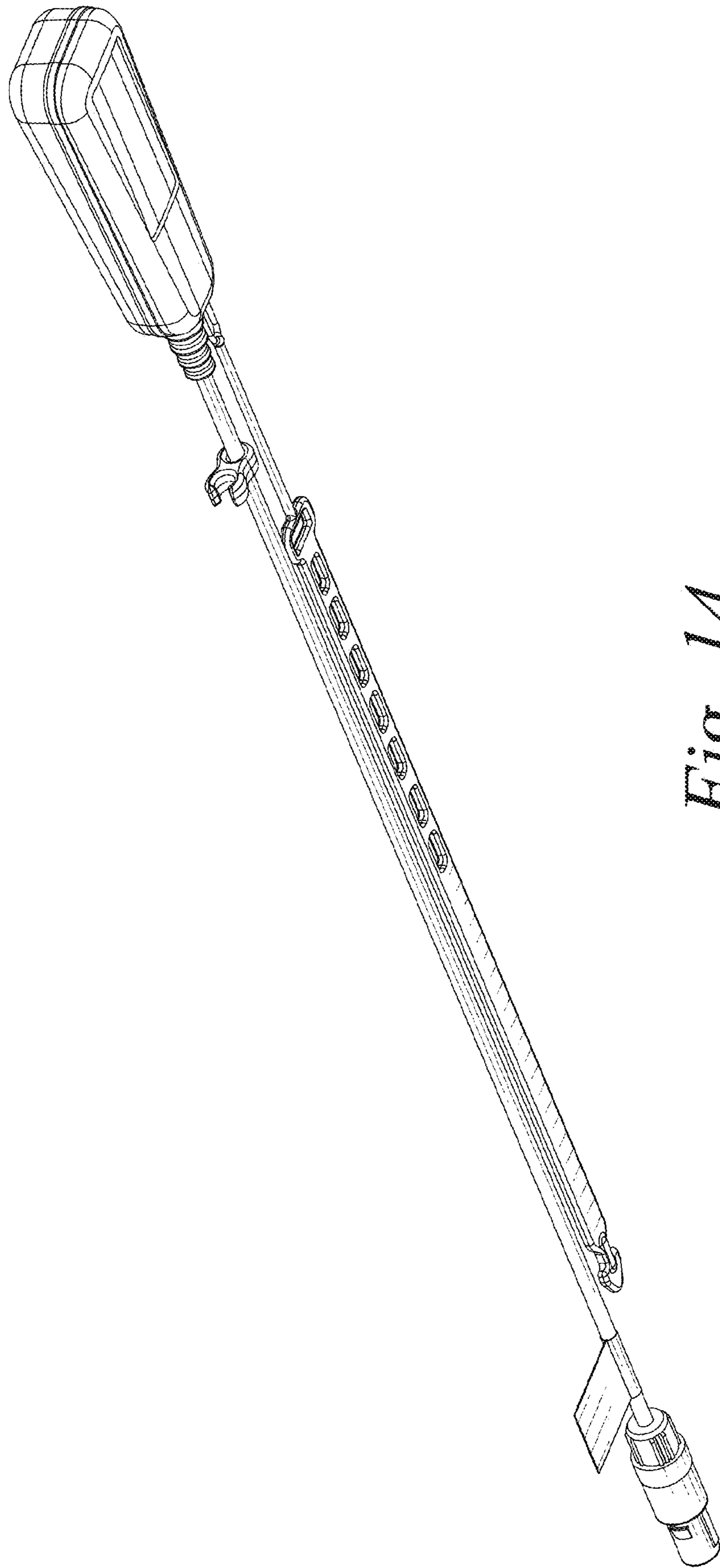


Fig. 14



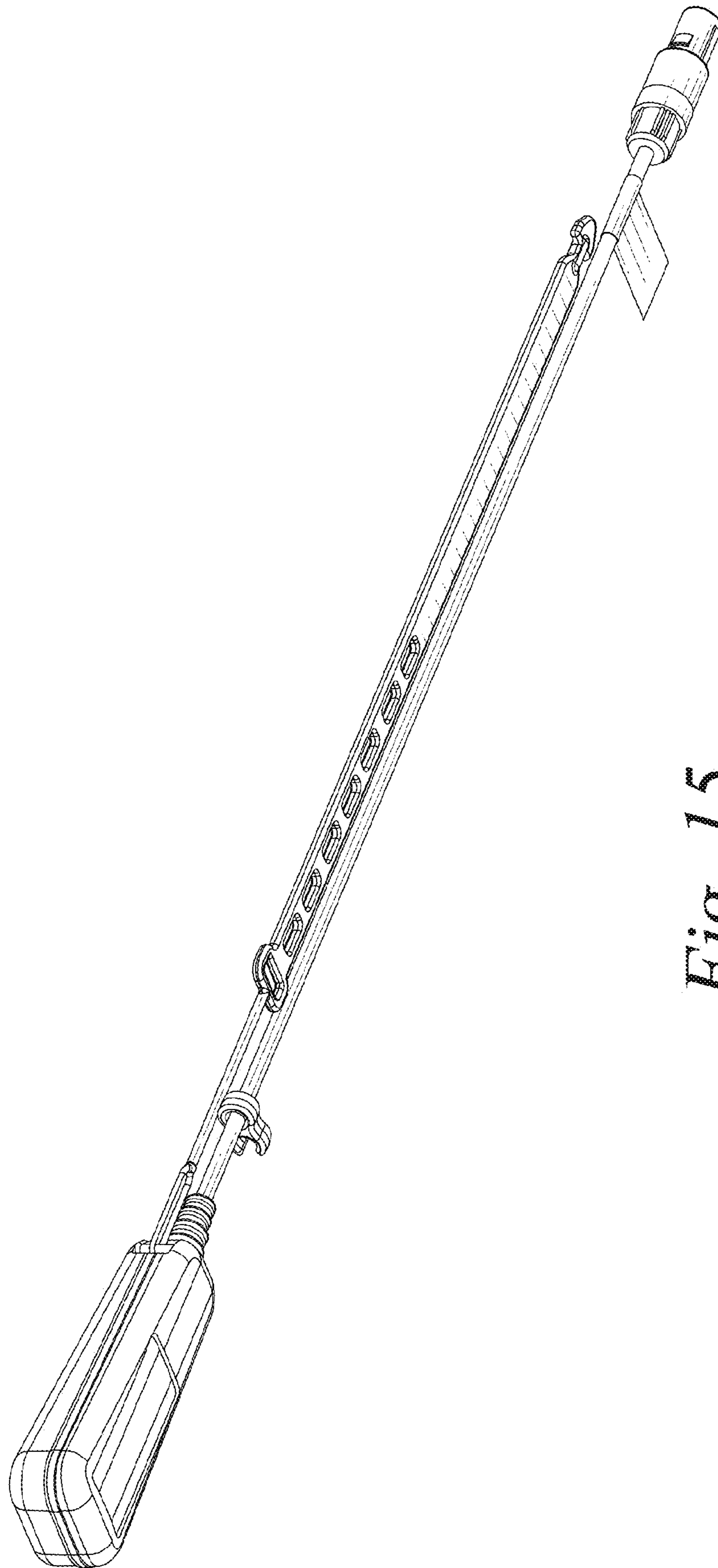


Fig. 15