



US00D892304S

(12) **United States Design Patent** (10) **Patent No.:** **US D892,304 S**
Moulton et al. (45) **Date of Patent:** **** Aug. 4, 2020**

(54) **FACEMASK PRESSURE ADJUSTMENT DEVICE**

D693,460 S * 11/2013 Rothermel D24/110.4
D693,461 S * 11/2013 Rothermel D24/110.4
D693,462 S * 11/2013 Rothermel D24/110.4

(Continued)

(71) Applicant: **Sleepnet Corporation**, Hampton, NH (US)

FOREIGN PATENT DOCUMENTS

(72) Inventors: **Thomas M. Moulton**, Rye, NH (US);
Jerry J. Gong, Andover, MA (US)

EM 006613089-0001 * 10/2019

(73) Assignee: **Sleepnet Corporation**, Hampton, NH (US)

OTHER PUBLICATIONS

(**) Term: **15 Years**

Mojo 2 Gell Full Face CPAP Mask by Sleepnet. IntusTRADE. Date viewed: Feb. 4, 2020. Retrieved from internet: <https://www.intustrade.co.uk/mojo-2-full-face-gel-mask.html> (Year: 2020).*

(21) Appl. No.: **29/675,639**

Primary Examiner — Lilyana Bekic

(22) Filed: **Jan. 4, 2019**

(74) *Attorney, Agent, or Firm* — Pierce Atwood LLP;
Kevin M. Farrell

(51) **LOC (12) Cl.** **29-02**

(52) **U.S. Cl.**
USPC **D24/110.1**

(57) **CLAIM**

(58) **Field of Classification Search**
USPC D24/110, 110.1, 110.4, 127, 128, 164
CPC A61M 16/0683; A61M 16/06; A61M 16/0616; A61M 16/0622; A61M 16/0605; A61M 16/0633

The ornamental design for a facemask pressure adjustment device, as shown and described.

See application file for complete search history.

DESCRIPTION

(56) **References Cited**

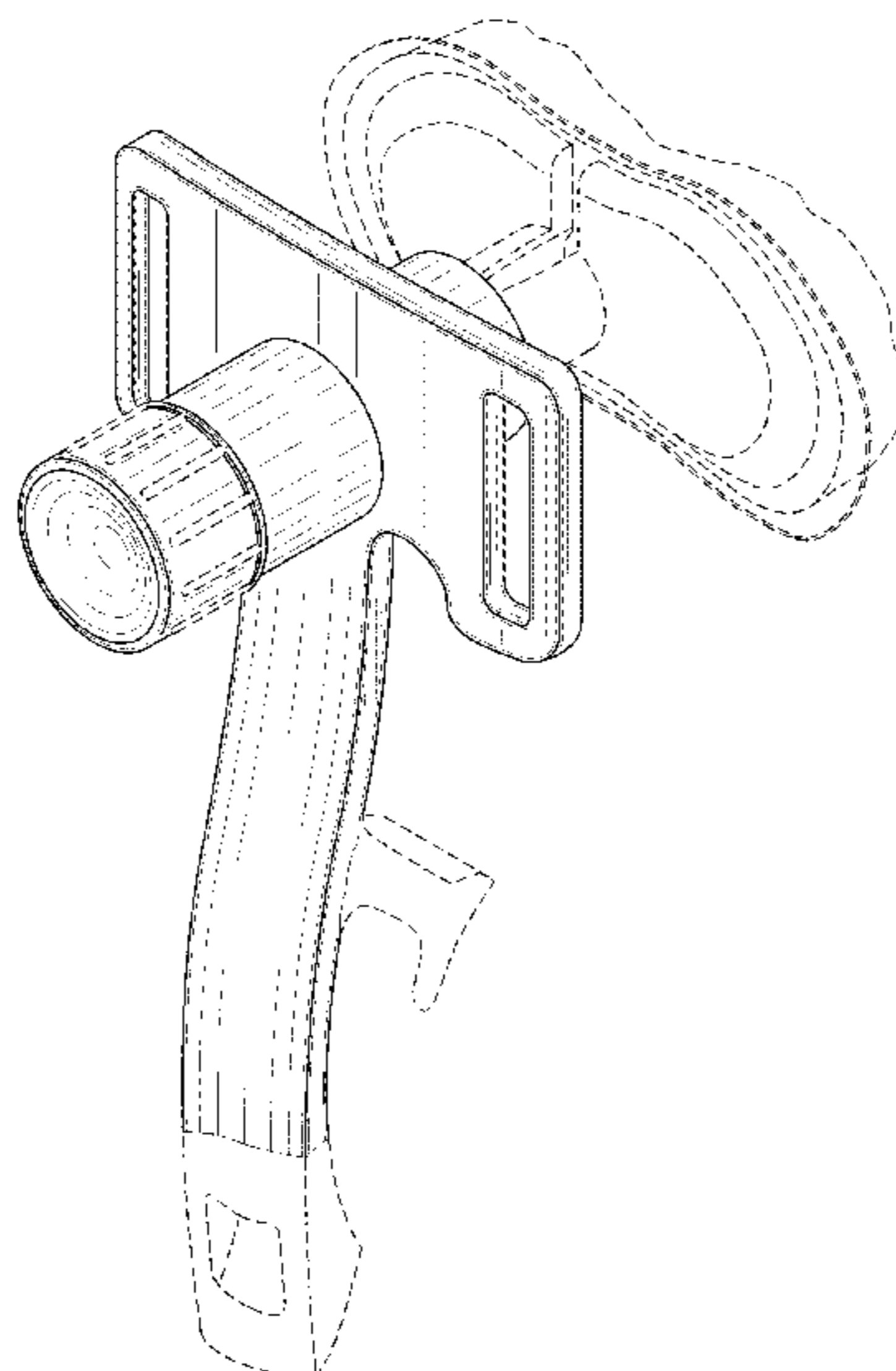
U.S. PATENT DOCUMENTS

6,779,896 B2 8/2004 Luerkens et al.
D519,207 S * 4/2006 Raje D24/110.1
D558,332 S * 12/2007 Ng D24/110.1
D558,334 S * 12/2007 Stallard D24/110.1
D562,445 S * 2/2008 McAuliffe D24/110.1
D587,801 S * 3/2009 Chu D24/110.1
D597,202 S * 7/2009 Reid D24/110.1
D597,661 S * 8/2009 Reid D24/110.1
D612,483 S * 3/2010 Chang D24/110.1
D612,932 S * 3/2010 Davidson D24/110.1
D657,863 S * 4/2012 Raje D24/110
D665,494 S * 8/2012 Stallard D24/110.1
D671,205 S * 11/2012 Guney D24/110

FIG. 1 is a front perspective view of the facemask pressure adjustment device, showing our new design; FIG. 2 is a front elevational view thereof; FIG. 3 is a rear elevational view thereof; FIG. 4 is a left side elevational view thereof; FIG. 5 is a top plan view thereof; FIG. 6 is a bottom plan view thereof; FIG. 7 is a right side elevational view thereof; FIG. 8 is a right side elevational view thereof, showing the adjustment in a first alternate position; and, FIG. 9 is a right side elevational view thereof, showing the adjustment in a second alternate position.

The dash-dash broken lines in the drawings depict portions of the facemask pressure adjustment device that form no part of the claimed design. The dash-dot broken lines define the bounds of the claimed design and form no part thereof.

1 Claim, 9 Drawing Sheets



(56)

References Cited

U.S. PATENT DOCUMENTS

D700,697	S *	3/2014	Ho	D24/110.4
D703,807	S *	4/2014	Chu	D24/110.1
8,967,148	B2 *	3/2015	Eifler	A61M 16/0683 128/206.21
9,744,326	B2 *	8/2017	Rothermel	A61M 16/06
2003/0023257	A1	1/2003	Ishikawa et al.		
2004/0211428	A1 *	10/2004	Jones, Jr.	A61M 16/06 128/206.27
2007/0044804	A1 *	3/2007	Matula, Jr.	A61M 16/06 128/206.21
2007/0062537	A1 *	3/2007	Chiesa	A61M 16/06 128/207.11
2008/0135050	A1 *	6/2008	Hitchcock	A61M 16/06 128/207.11
2008/0276937	A1 *	11/2008	Davidson	A61M 16/06 128/204.18
2008/0314390	A1 *	12/2008	Kwok	A61M 16/0622 128/207.11
2010/0000542	A1 *	1/2010	Chu	A61M 16/06 128/206.21
2011/0094516	A1 *	4/2011	Chang	A61M 16/06 128/206.28
2012/0204876	A1 *	8/2012	Matula, Jr.	A61M 16/06 128/205.25
2012/0204879	A1 *	8/2012	Cariola	A61M 16/06 128/206.24
2014/0000617	A1 *	1/2014	Rothermel	A61M 16/06 128/205.25
2017/0368288	A1 *	12/2017	Stephens	A61M 16/06
2018/0133426	A1 *	5/2018	Hallett	A61M 16/0644

* cited by examiner

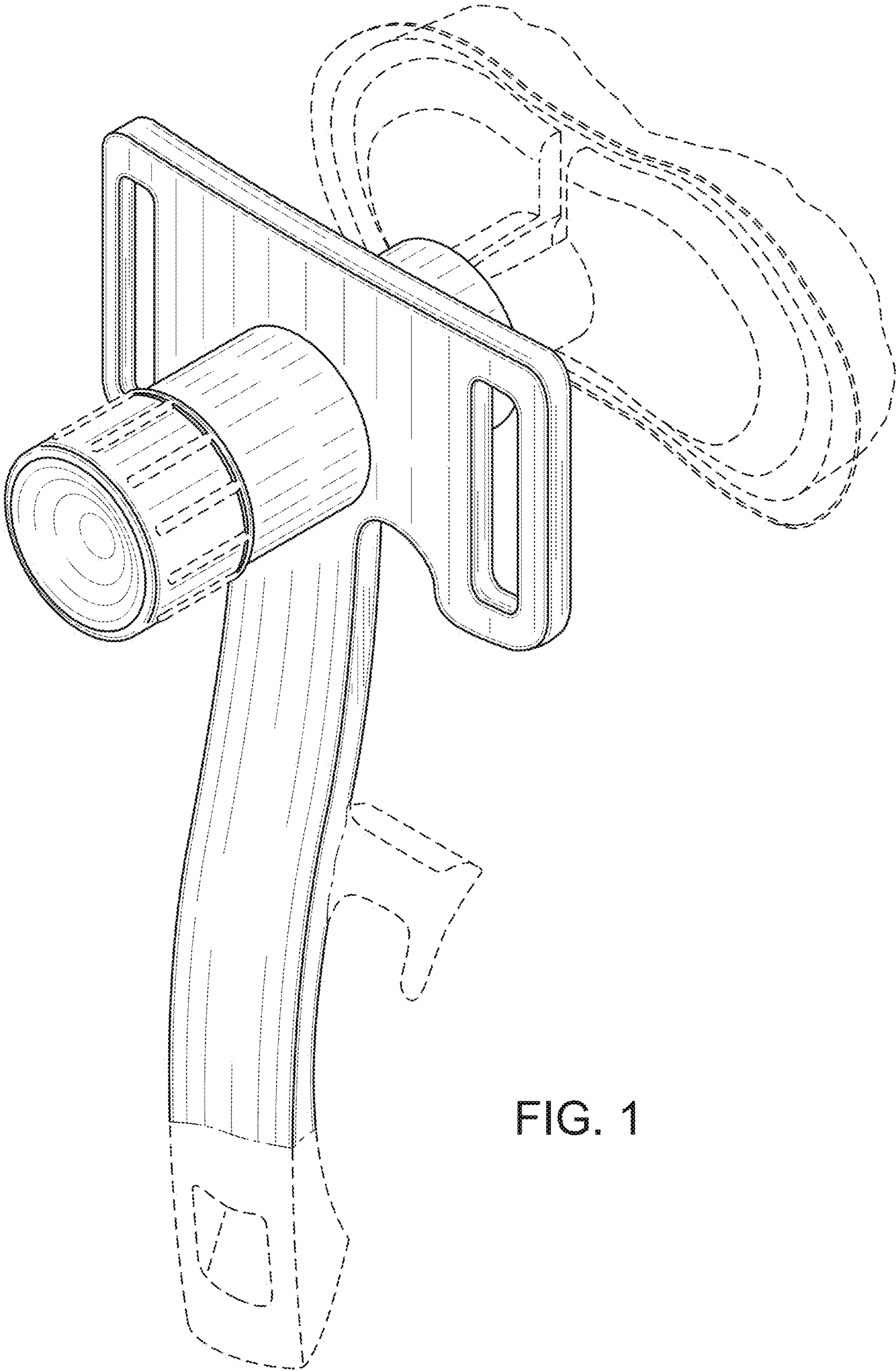


FIG. 1

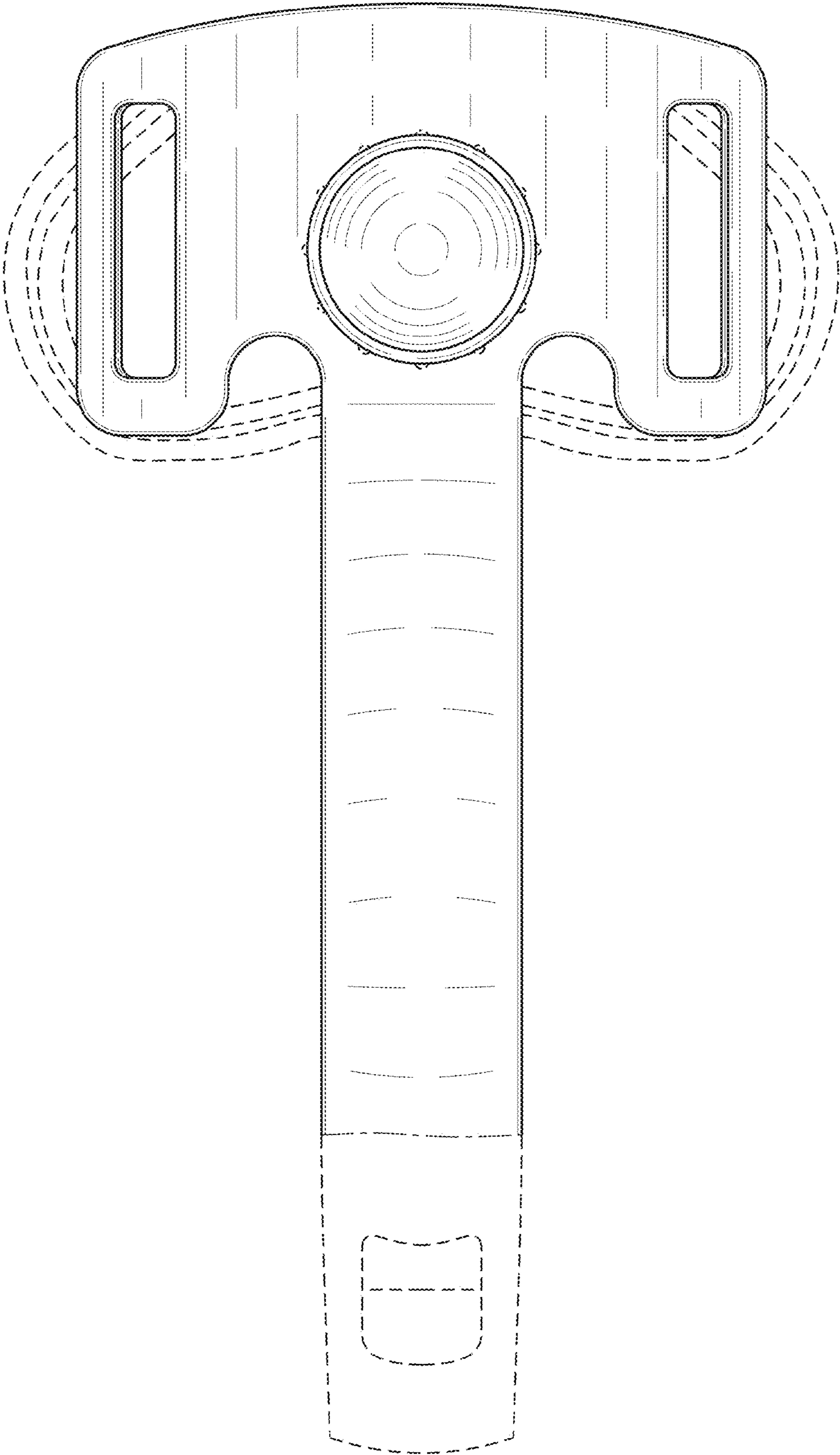


FIG. 2

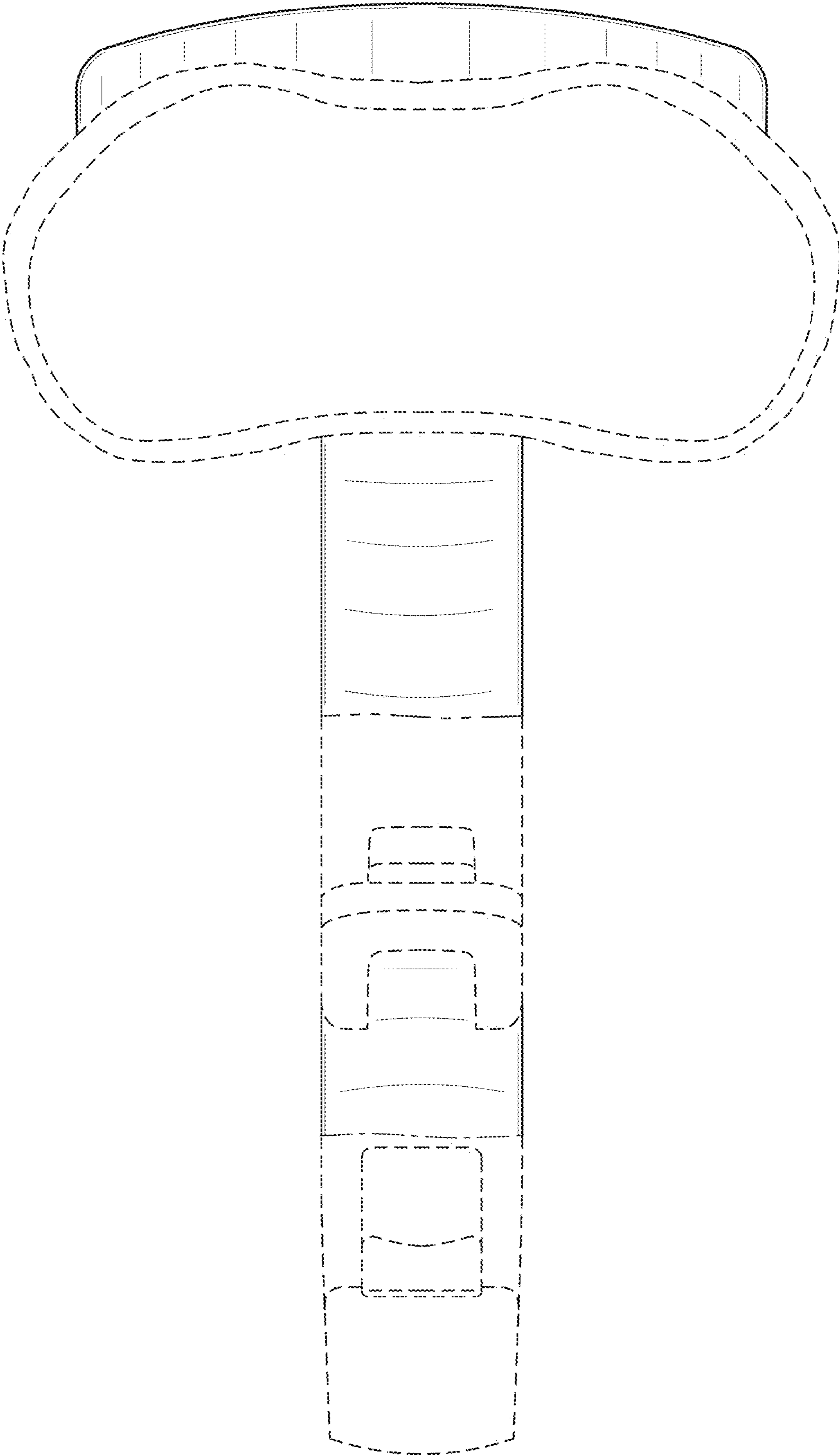


FIG. 3

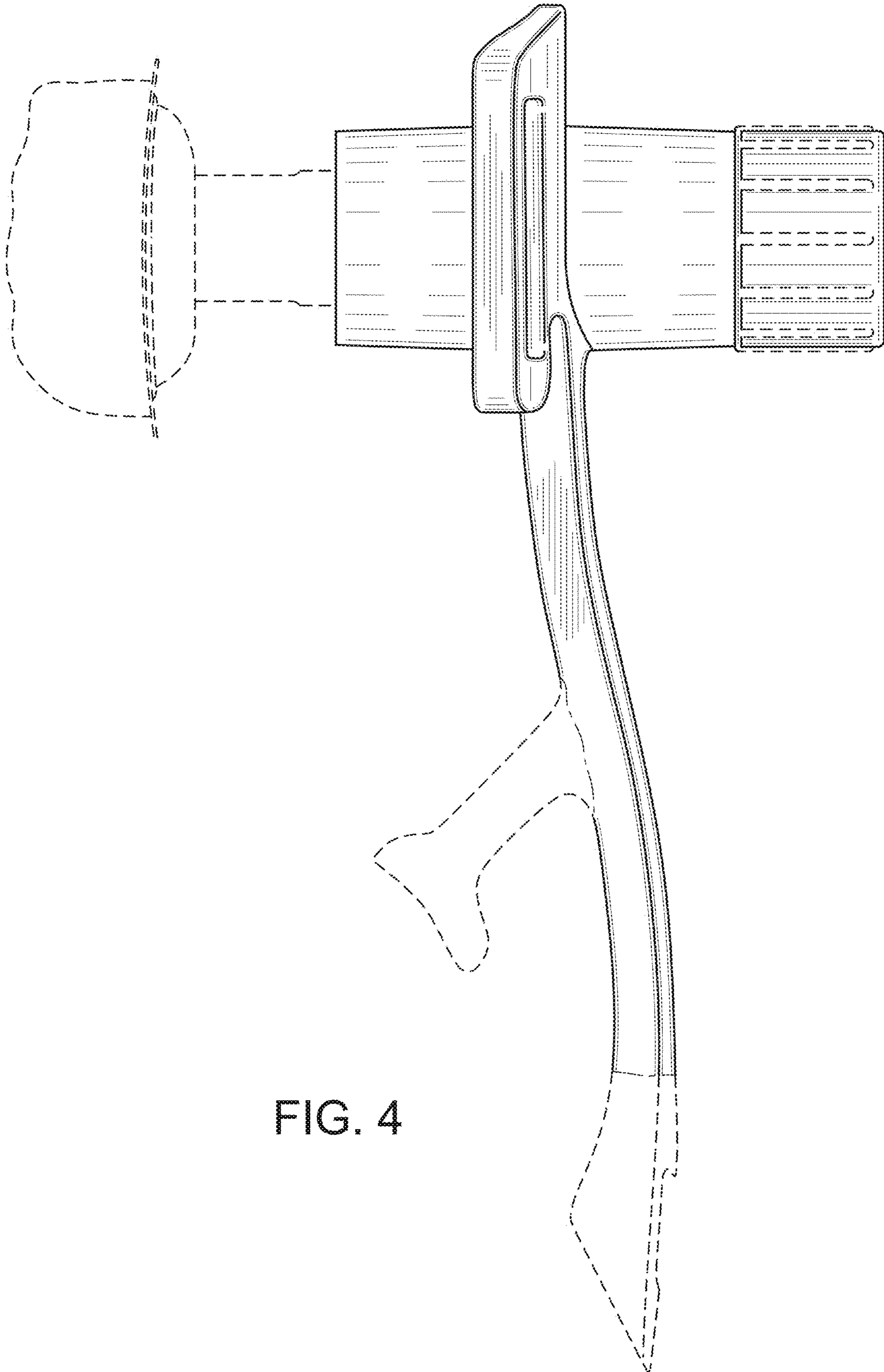


FIG. 4

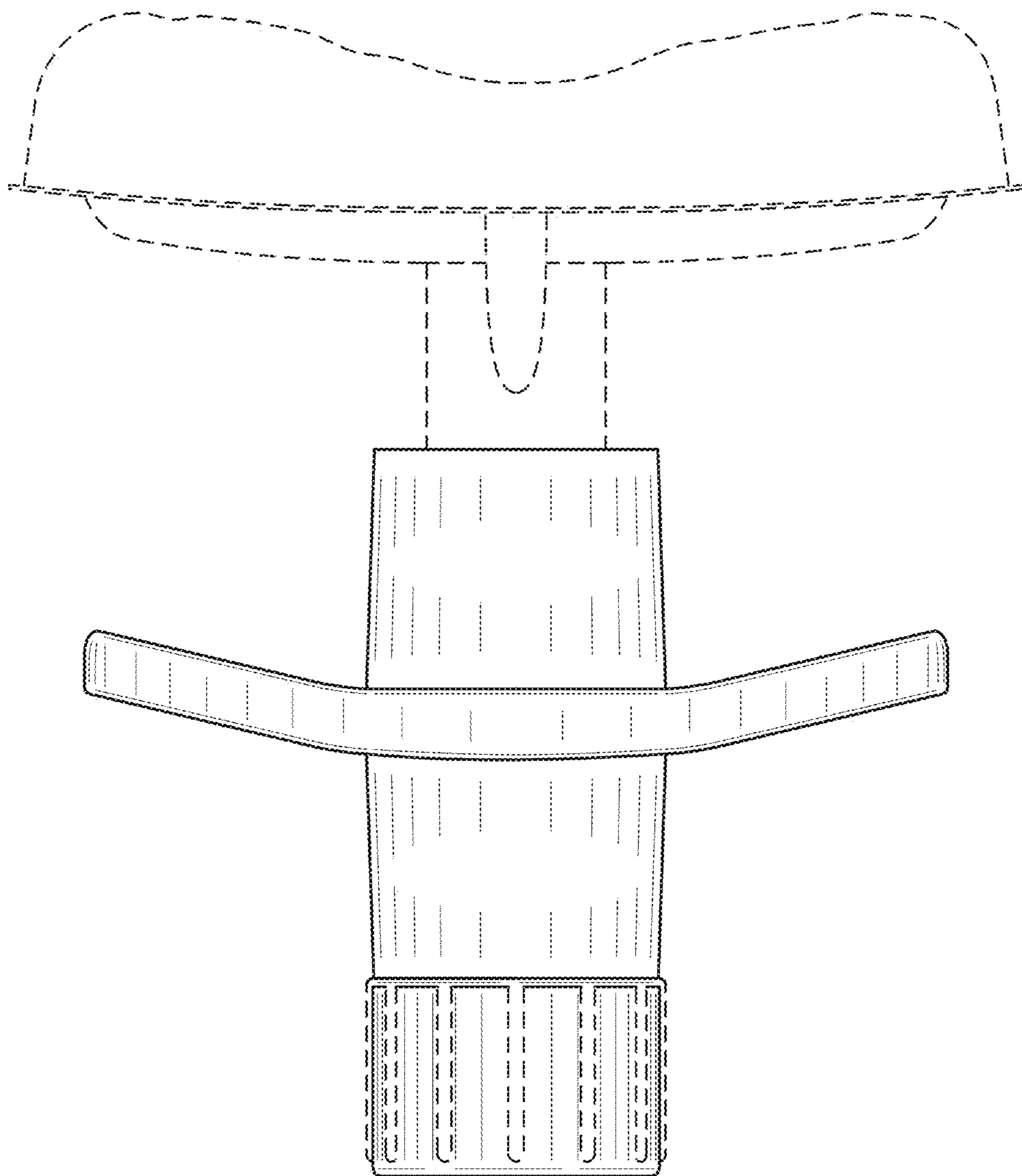


FIG. 5

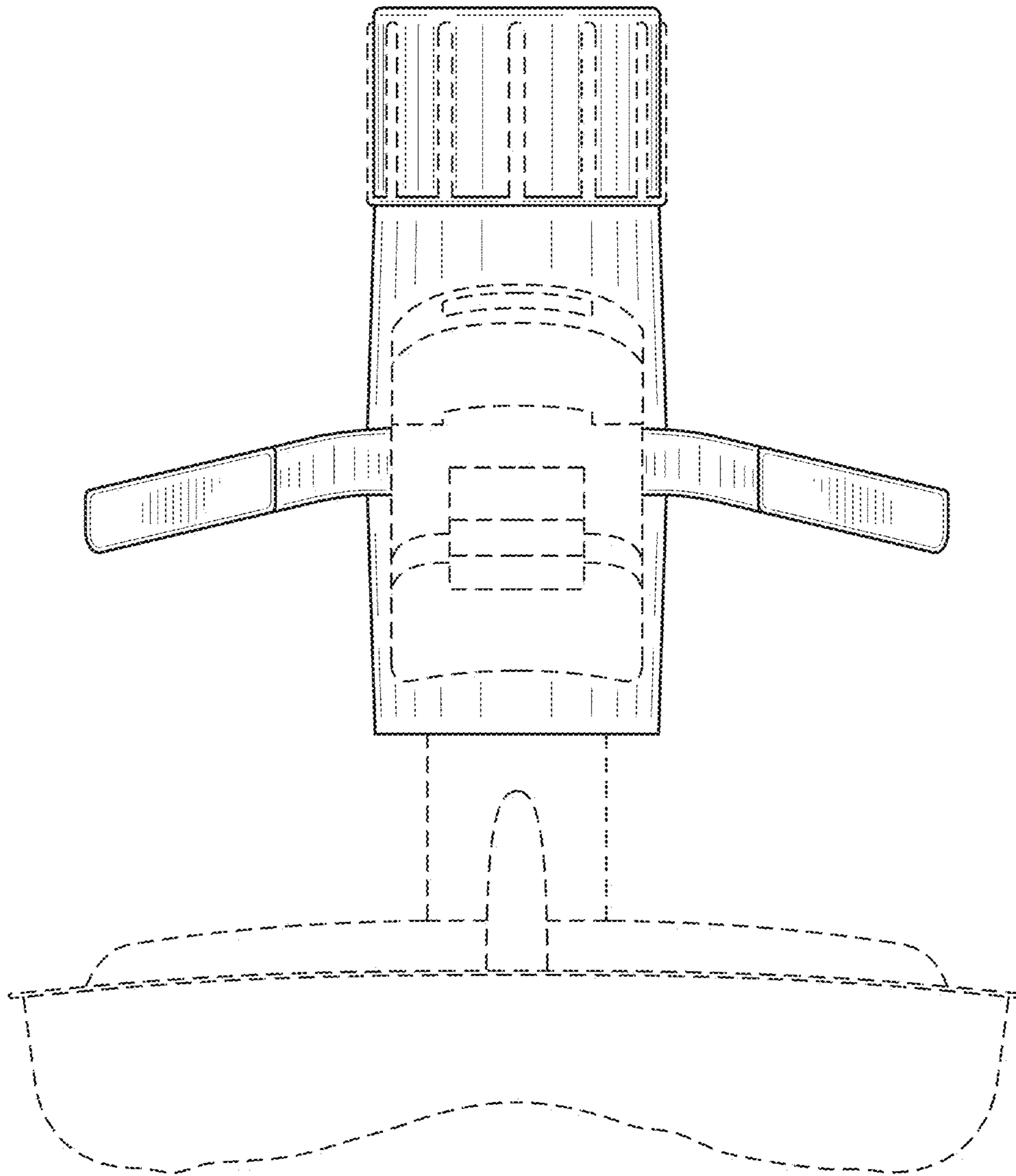


FIG. 6

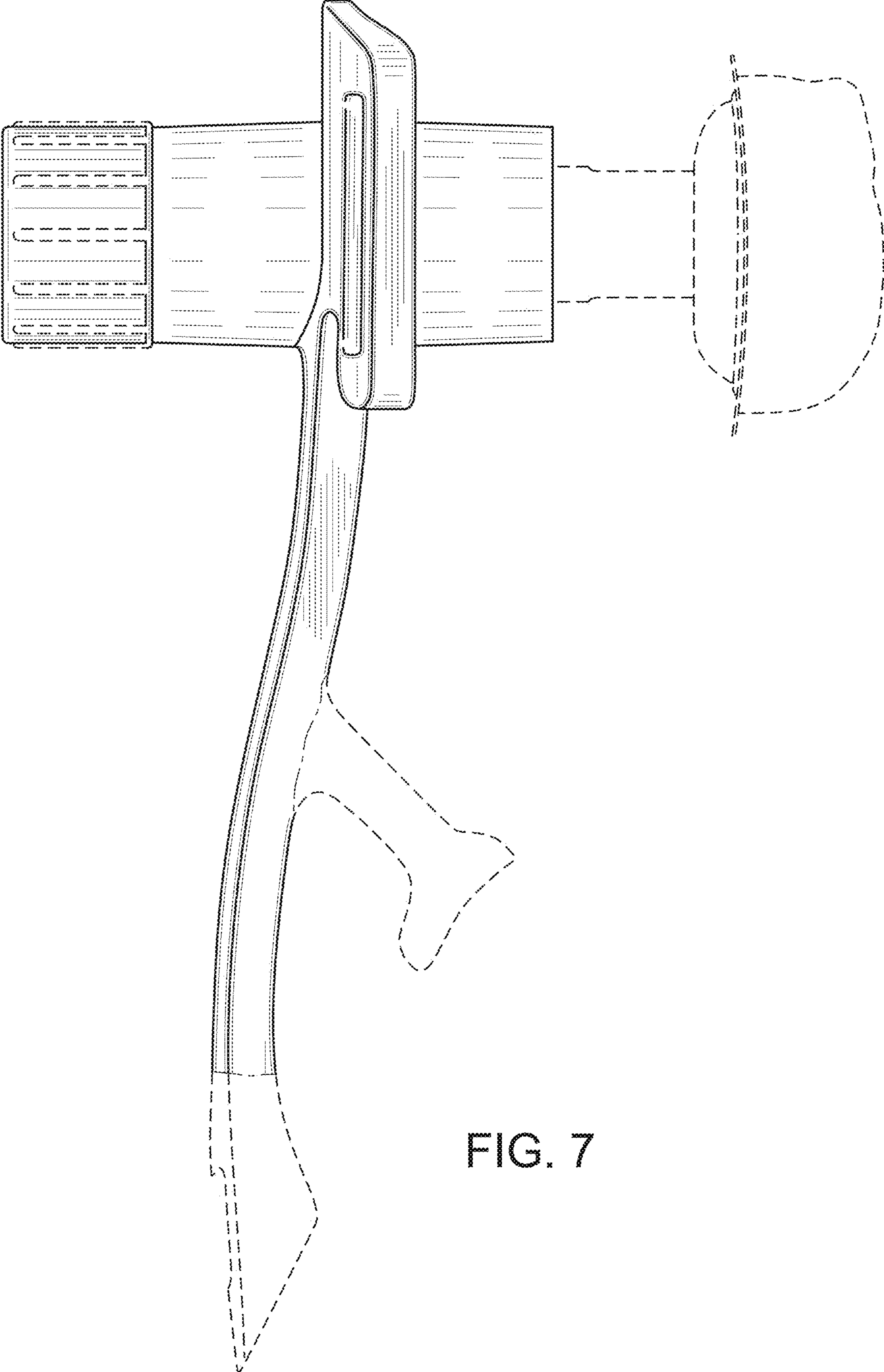


FIG. 7

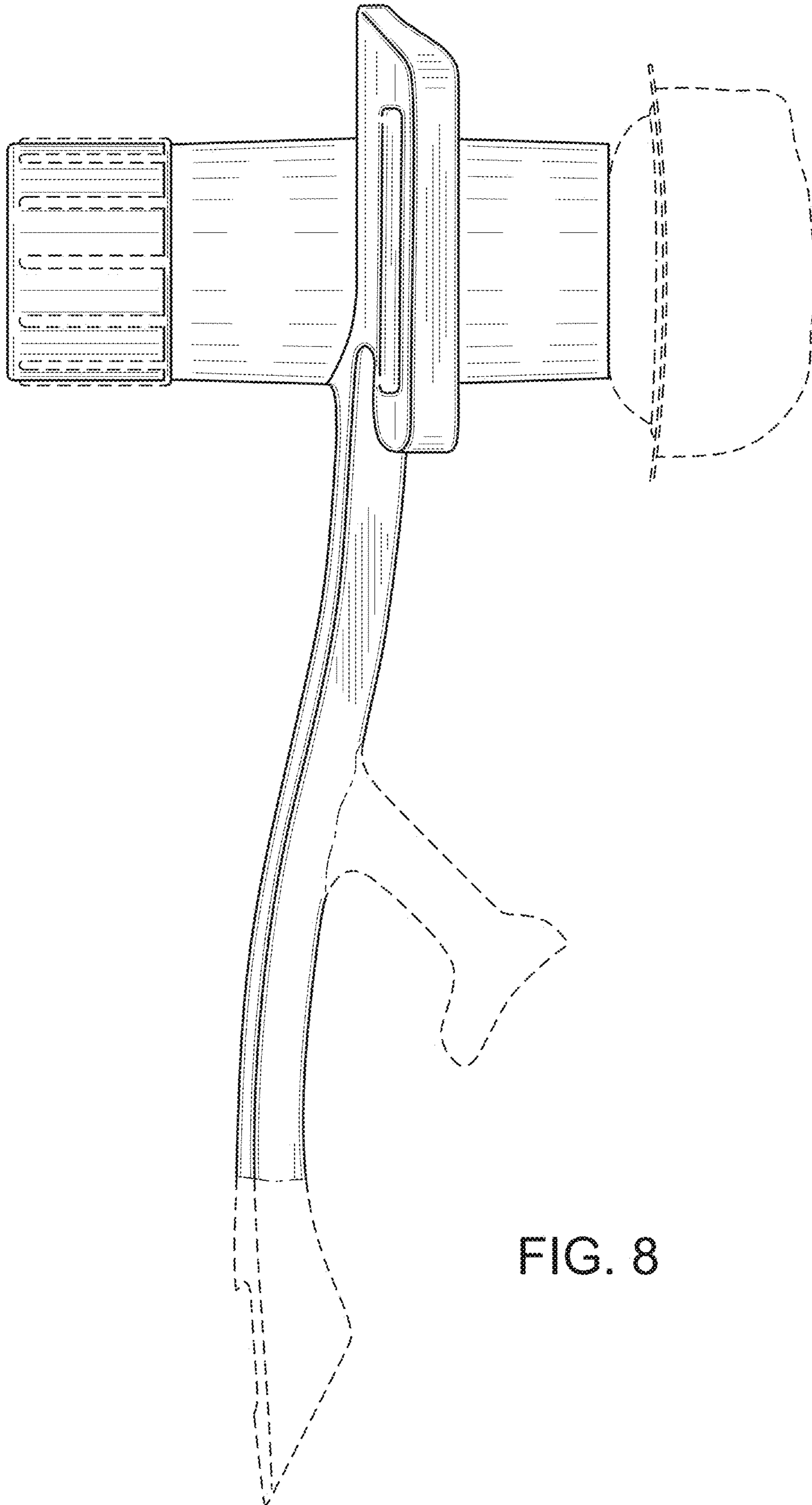


FIG. 8

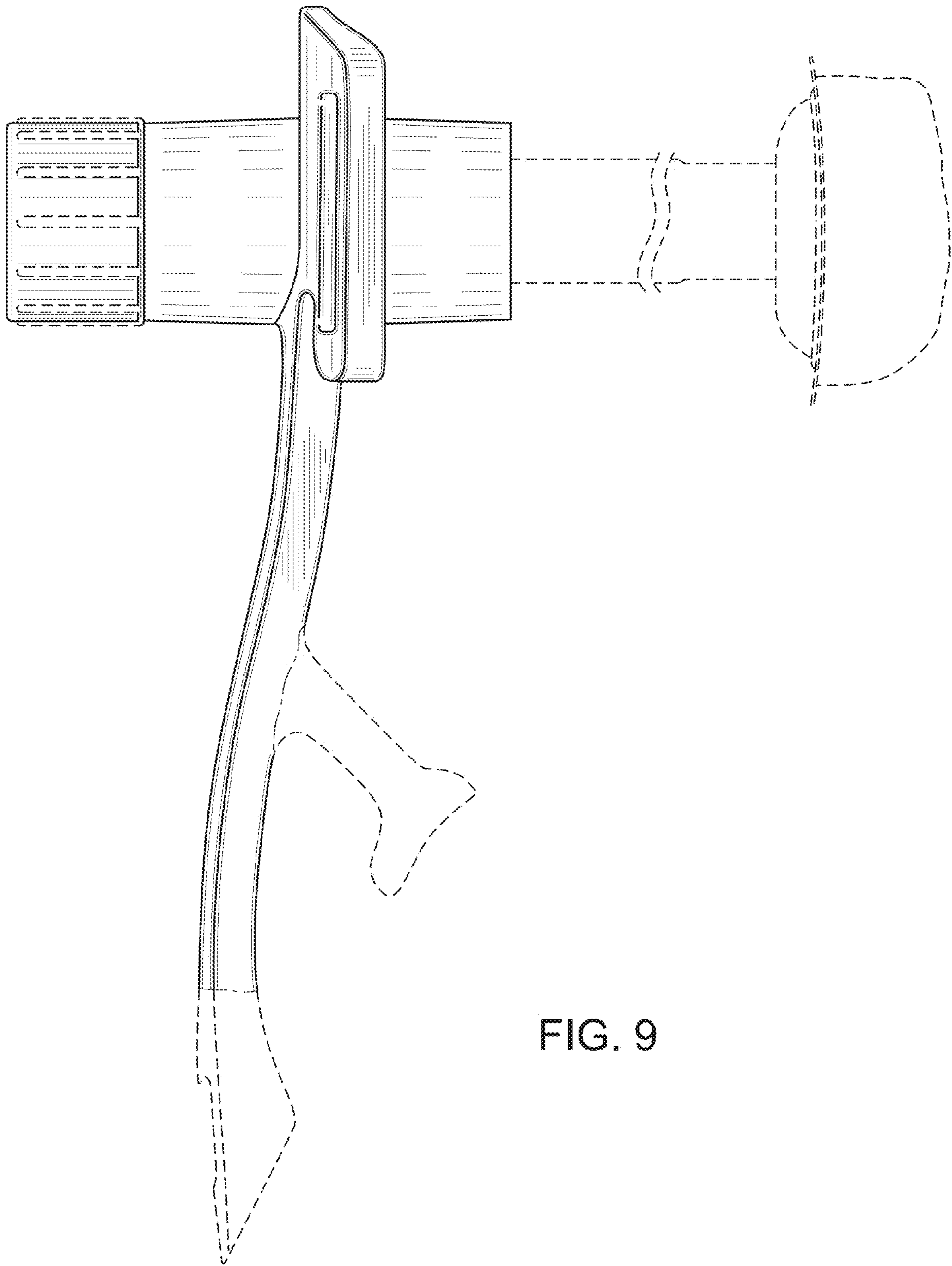


FIG. 9