



US00D892302S

(12) **United States Design Patent**
Gu

(10) **Patent No.:** **US D892,302 S**

(45) **Date of Patent:** **** Aug. 4, 2020**

(54) **EAR PLUG**

(71) Applicant: **Jiangyin Sian Plastic Protech Co., Ltd, Jiangyin (CN)**

(72) Inventor: **Shaorong Gu, Jiangyin (CN)**

(73) Assignee: **JIANGYIN SIAN PLASTIC PROTECH CO., LTD, Jiangyin (CN)**

(**) Term: **15 Years**

(21) Appl. No.: **29/665,052**

(22) Filed: **Sep. 29, 2018**

(51) **LOC (12) Cl.** **24-04**

(52) **U.S. Cl.**
USPC **D24/106**

(58) **Field of Classification Search**
USPC D24/106, 173, 174; D29/112; D14/223
CPC A61F 11/08; A61F 11/12; A61F 2011/085
See application file for complete search history.

(56) **References Cited**

U.S. PATENT DOCUMENTS

D330,761 S * 11/1992 Falco D24/106
D554,756 S * 11/2007 Sjursen D24/174

D678,528 S * 3/2013 Jensen D24/174
2008/0187159 A1* 8/2008 Blanchard A61F 11/08
381/328
2008/0247561 A1* 10/2008 Smith H04R 1/1075
381/72

OTHER PUBLICATIONS

Ear Plug, TR RGN #658086-0001, OWN Groeneveld-Elcea B V, RGD May 1, 2014 (Year: 2014).*

* cited by examiner

Primary Examiner — Richelle G Shelton

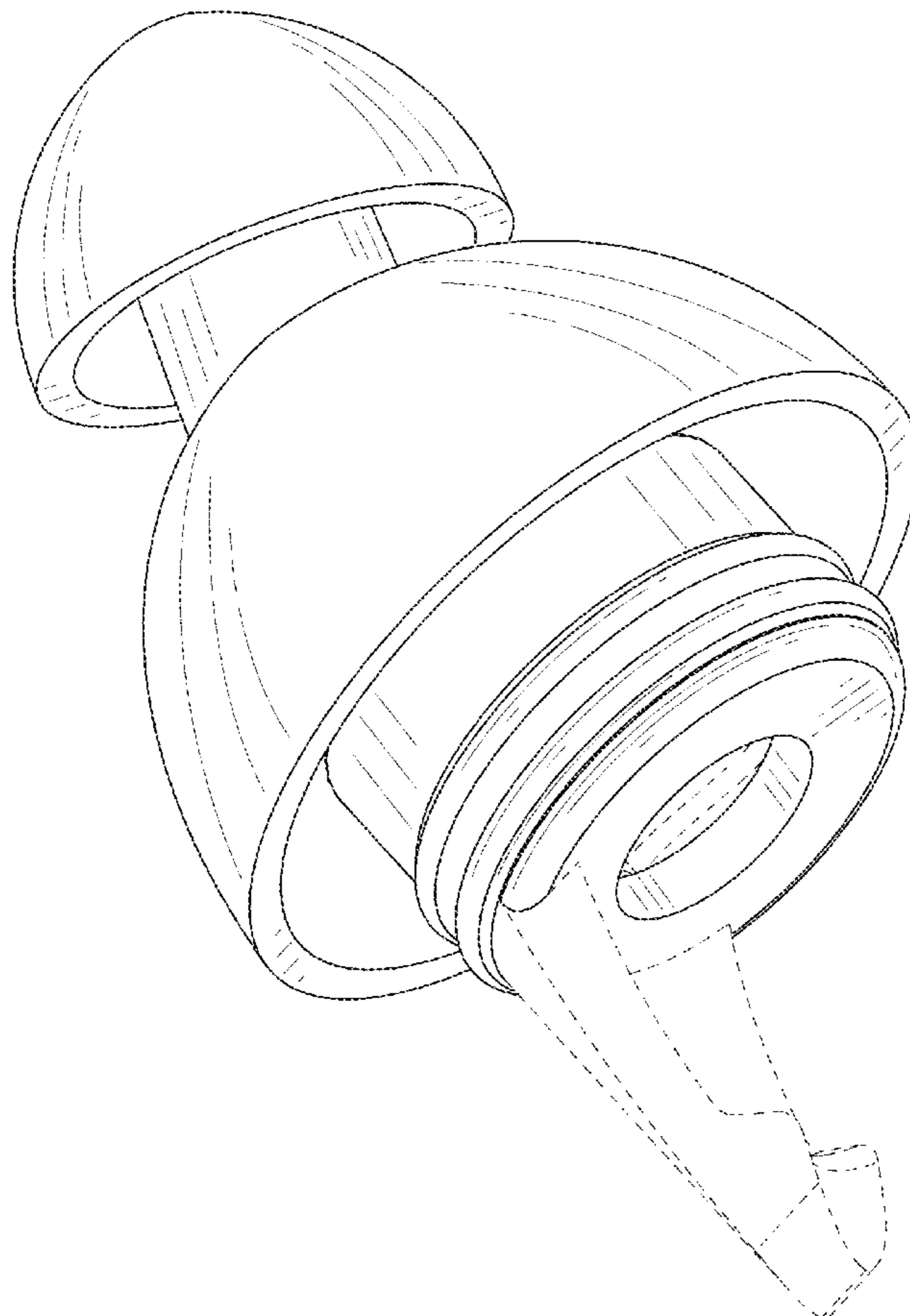
(57) **CLAIM**

The ornamental design for an ear plug, as shown and described.

DESCRIPTION

FIG. 1 is a front elevational view of the ear plug showing my new design;
FIG. 2 is a rear elevational view thereof;
FIG. 3 is a left side elevational view thereof;
FIG. 4 is a right side elevational view thereof;
FIG. 5 is a top plan view thereof; and
FIG. 6 is a bottom plan view thereof; and,
FIG. 7 is a perspective view thereof.
The broken lines are for the purpose of illustrating portions of the ear plug and form no part of the claimed design.

1 Claim, 7 Drawing Sheets



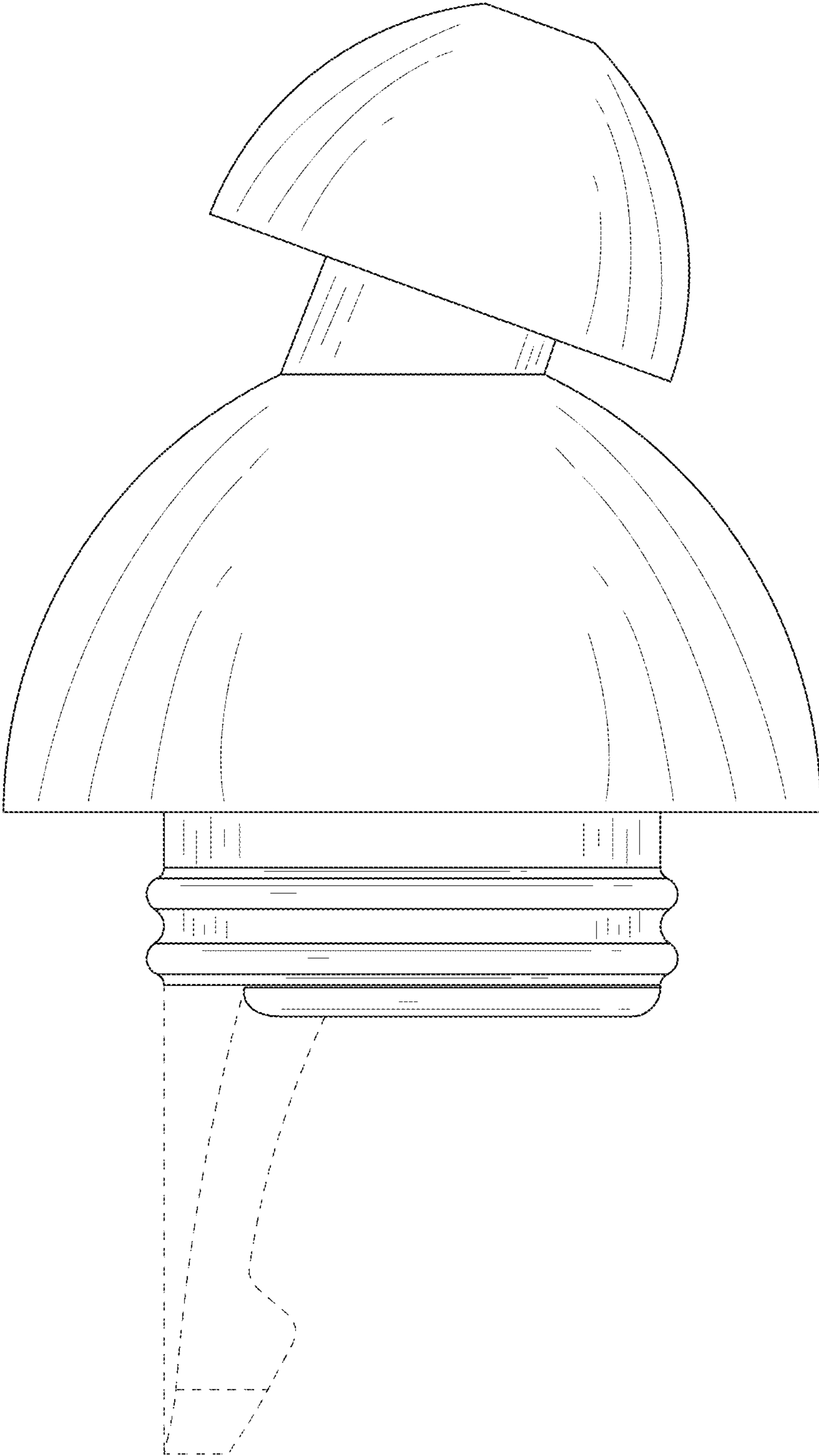


FIG. 1

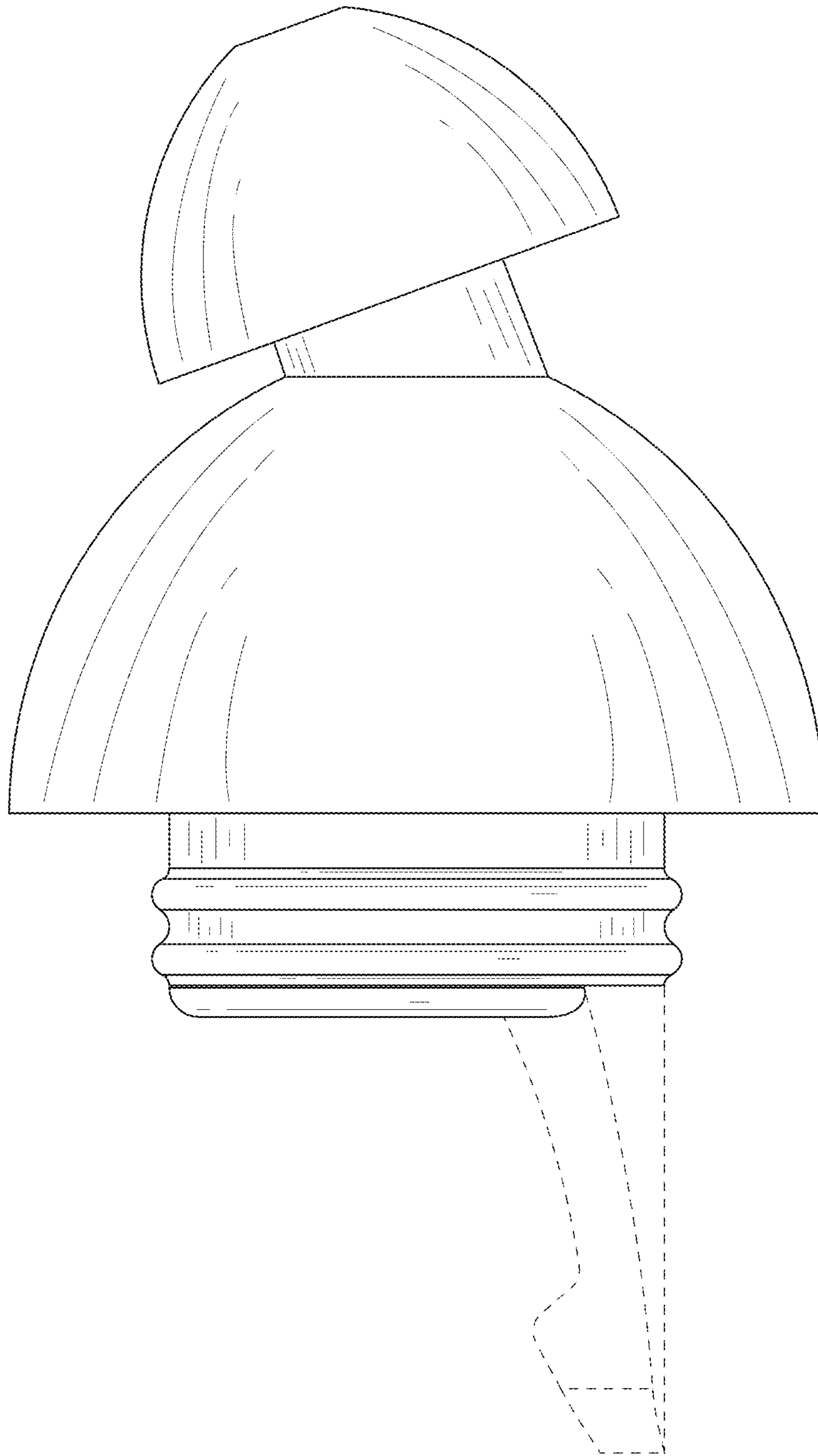


FIG. 2

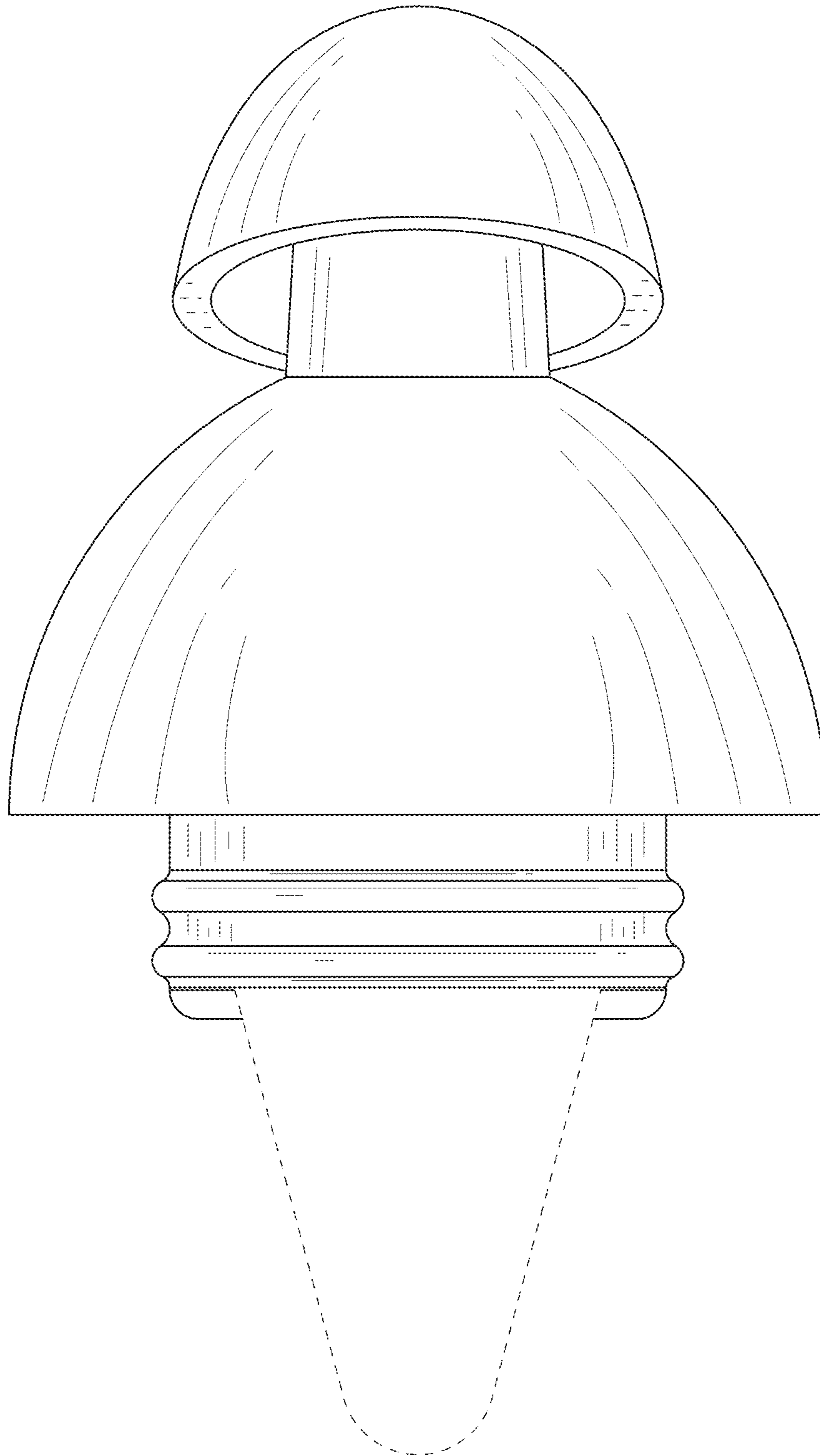


FIG. 3

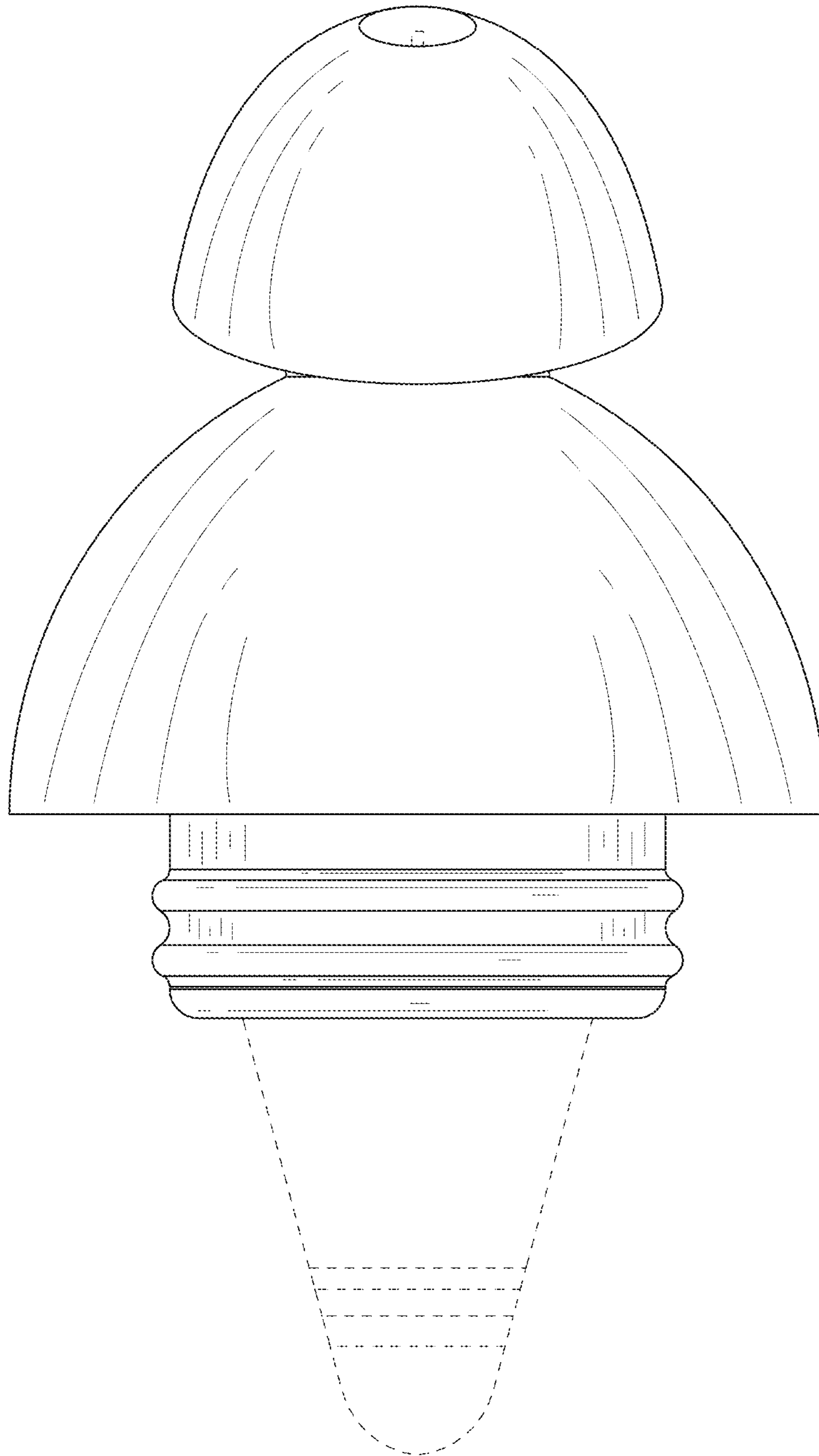


FIG. 4

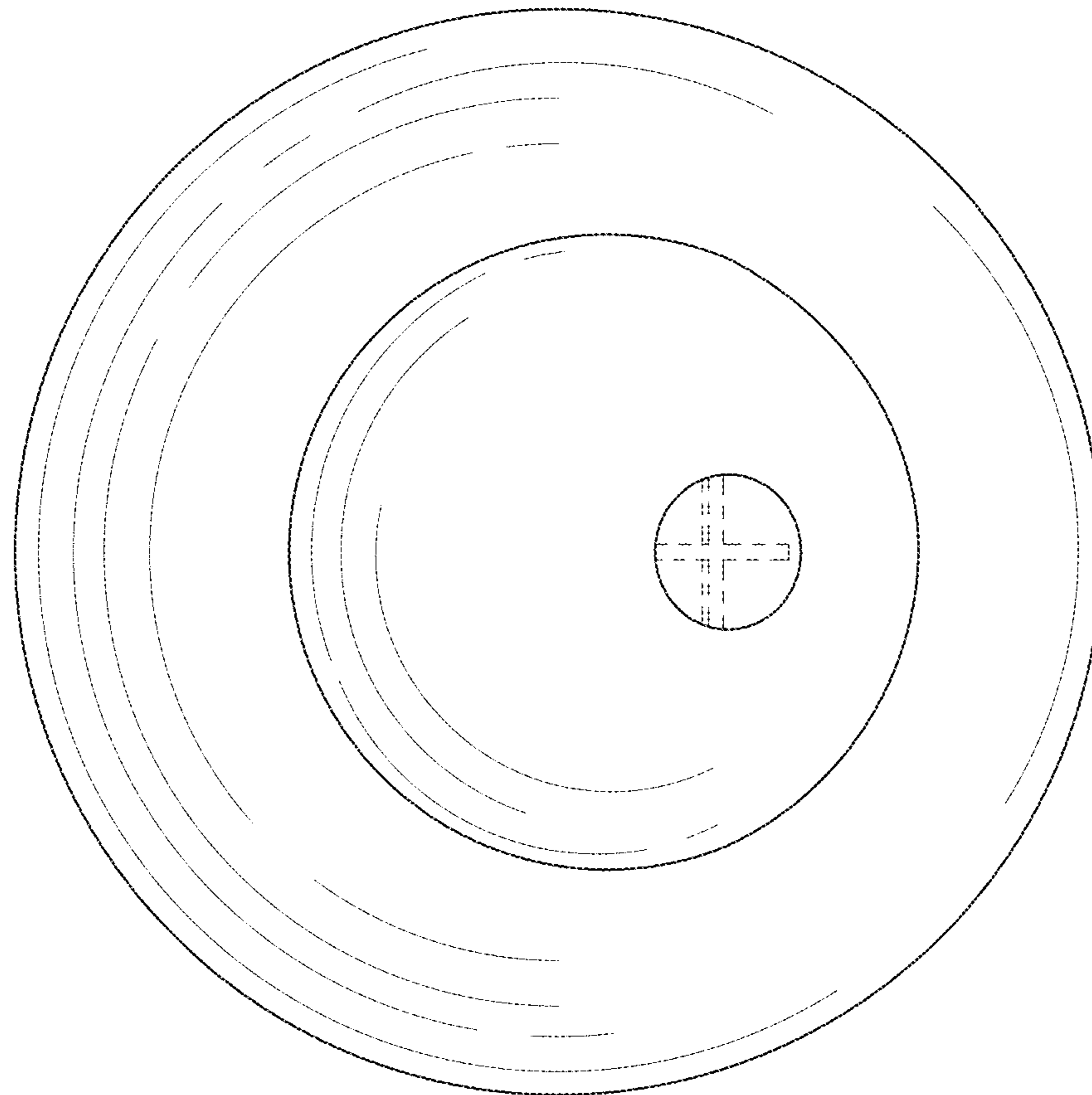


FIG. 5

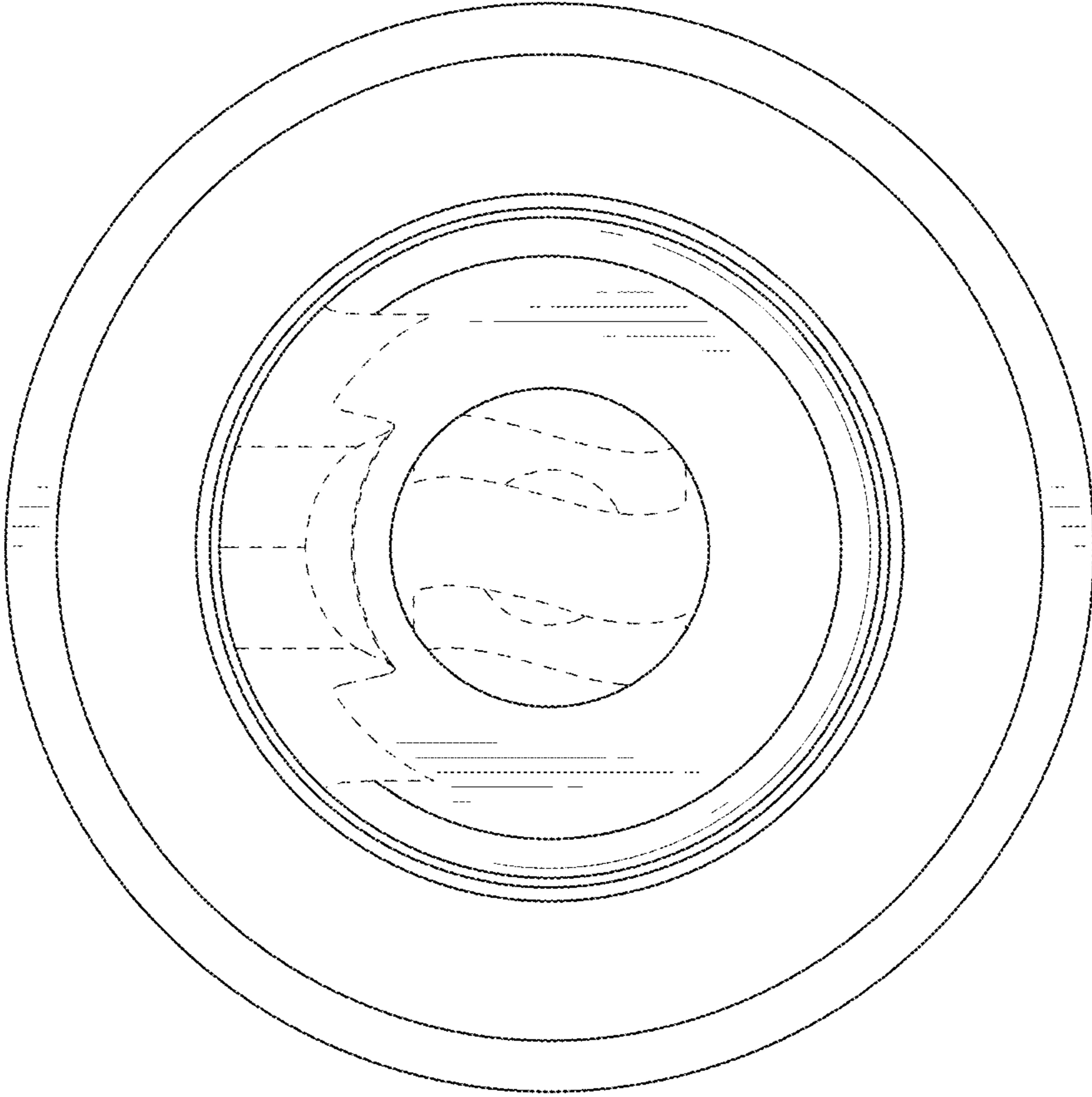


FIG. 6

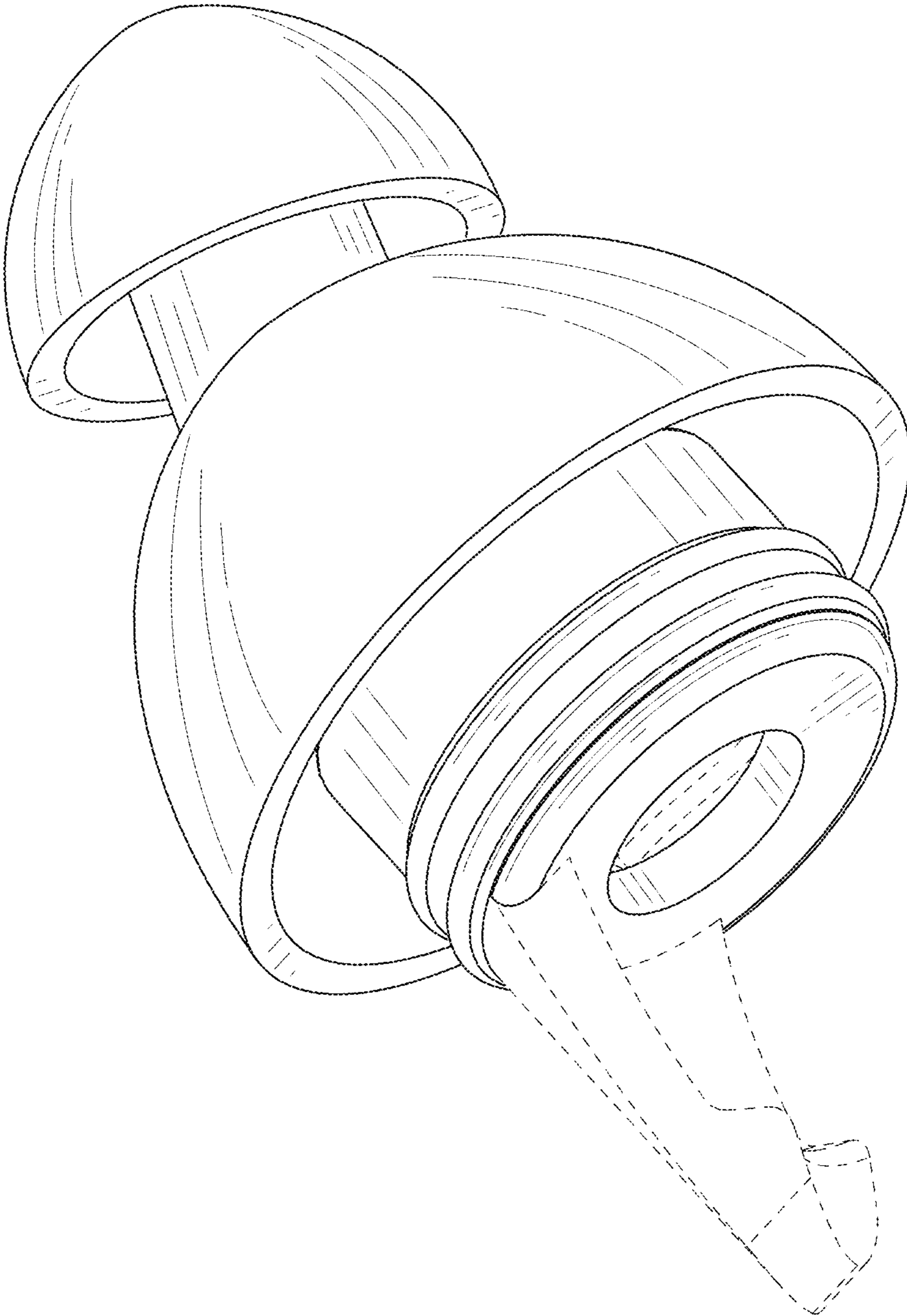


FIG. 7