



US00D892301S

(12) **United States Design Patent** (10) **Patent No.:** **US D892,301 S**  
**Haggar** (45) **Date of Patent:** **\*\* Aug. 4, 2020**

- (54) **CEILING FAN BLADE**
- (71) Applicant: **HUNTER FAN COMPANY**,  
Memphis, TN (US)
- (72) Inventor: **Alexander Jonathan Haggar**,  
Memphis, TN (US)
- (73) Assignee: **Hunter Fan Company**, Memphis, TN  
(US)
- (\*\*) Term: **15 Years**
- (21) Appl. No.: **29/696,741**
- (22) Filed: **Jul. 1, 2019**

- D772,393 S 11/2016 Wang
  - D782,025 S 3/2017 Pickett
  - D785,157 S 4/2017 Wang
  - D788,283 S 5/2017 Busta
  - D788,286 S 5/2017 Busta
  - D789,509 S 6/2017 Wang
  - D789,510 S 6/2017 Wang
- (Continued)

**Related U.S. Application Data**

- (62) Division of application No. 29/639,363, filed on Mar. 6, 2018, now Pat. No. Des. 862,755.
- (51) **LOC (12) Cl.** ..... **23-03**
- (52) **U.S. Cl.**  
USPC ..... **D23/413**
- (58) **Field of Classification Search**  
USPC ..... D23/328, 370, 372, 377, 381, 382, 385,  
D23/411, 413; D26/24, 51, 59, 62, 63,  
D26/72, 76, 77, 78, 88, 128-138  
CPC ..... F24F 13/078; F04D 25/088; E04B 9/02  
See application file for complete search history.

**References Cited**

**U.S. PATENT DOCUMENTS**

- D333,867 S 3/1993 Markwardt
- D377,975 S 2/1997 Young
- D590,489 S 4/2009 Bucher et al.
- D628,688 S 12/2010 Pan
- D671,203 S 11/2012 Wang
- D741,468 S 10/2015 Ertze
- D741,470 S 10/2015 Ertze
- D742,500 S \* 11/2015 Pan ..... D23/413
- D750,221 S 2/2016 Schulzman
- D771,794 S 11/2016 Wang

**OTHER PUBLICATIONS**

<http://www.fanimation.com/products/index.php/blades/30-inch-spitfire-carved-wood-blade-set.html>, Fanimation Spitfire, 60 inch Sweep Spitfire Carved Wood Blade set, Model No. B6720, accessed Sep. 22, 2017.

(Continued)

*Primary Examiner* — Sheryl Lane

*Assistant Examiner* — Calvin E Vansant

(74) *Attorney, Agent, or Firm* — McGarry Bair PC

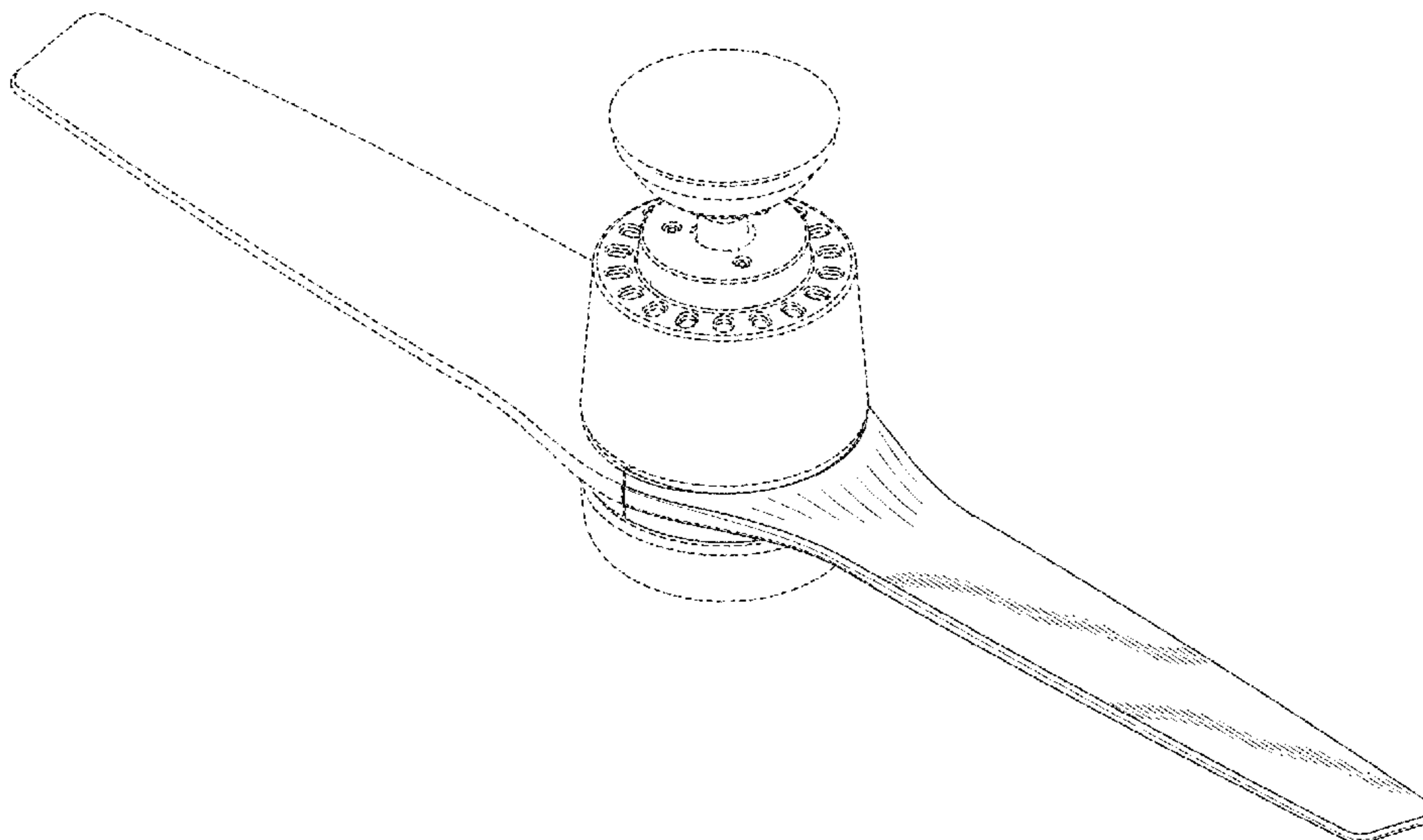
(57) **CLAIM**

The ornamental design for a ceiling fan blade, as shown and described.

**DESCRIPTION**

FIG. 1 is a top perspective view of a ceiling fan blade in the environment of a ceiling fan, showing my new design; FIG. 2 is a bottom perspective view thereof, having the ceiling fan environment removed; FIG. 3 is a top view thereof; FIG. 4 is a front view thereof; FIG. 5 is a right side view thereof; FIG. 6 is a bottom view thereof; FIG. 7 is a rear side view thereof; and, FIG. 8 is a left side view thereof. Portions of the ceiling fan blade, and ceiling fan environment are shown in broken lines. Portions of the ceiling fan blade, and ceiling fan environment shown in broken lines form no part of the claimed design.

**1 Claim, 4 Drawing Sheets**



(56)

**References Cited**

## U.S. PATENT DOCUMENTS

D795,410 S	8/2017	Holmes	
D800,292 S	10/2017	Haggar	
D810,271 S *	2/2018	Holmes	..... D23/413
9,885,366 B2	2/2018	Gajewski	
D833,595 S	11/2018	Busta	
2012/0177496 A1	7/2012	Gajewski	

## OTHER PUBLICATIONS

<http://www.kichler.com/products/product/60-inch-rana-fan-ni-310155ni.aspx>, Kichler Rana Collection, 60 inch Rana Fan in Brushed Nickel, Model No. 310155NI, accessed Sep. 22, 2017.

<https://www.craftmade.com/tempest-tem52pln3>, Craftmade Tempest, 52" Ceiling Fan in Polished Nickel with White Frost Glass, Model No. TEM52PLN3, accessed Sep. 22, 2017.

<http://www.kichler.com/products/product/56-inch-xety-fan-mwh-300702mwh.aspx>, Kichler Xety Collection, 56 inch Xety Fan in Matte White, Model No. 300702MWH, accessed Sep. 22, 2017.

<http://www.westinghouselighting.com/ceiling-fans/48-inch-ceiling-fan/solana-48-inch-two-blade-indoor-ceiling-fan-7216100.aspx>, Westinghouse Solana 48 inch Two-Blade Indoor Ceiling Fan, Model No. 72161, accessed Sep. 22, 2017.

<http://www.casablancafanco.com/Ceiling-Fans/Piston?ModelNumber=59195>, Casablanca Piston 52" Ceiling Fan in Brushed Slate, Model No. 59195, accessed Sep. 22, 2017.

<http://modernfan.com/fan/icaire-2/>, Modern Fan IC/Air2, 56 inch in Bright Nickel, Model No. IC2, accessed Sep. 22, 2017.

<http://www.fanimation.com/products/index.php/26-inch-zonix-blade-set.html>, Fanimation Zonix 26 inch Blade set, Model No. B4400SN, accessed Sep. 22, 2017.

\* cited by examiner

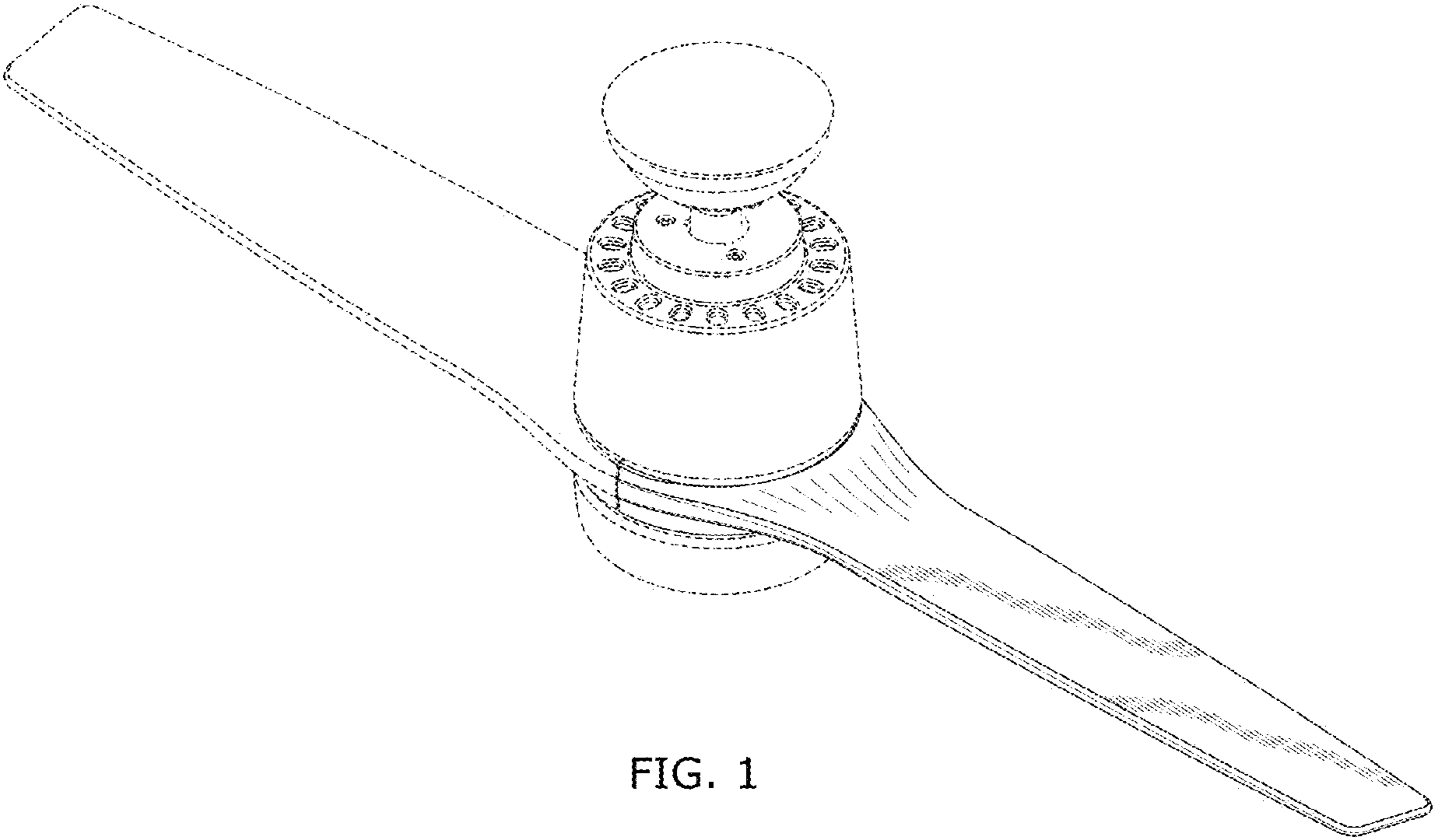


FIG. 1

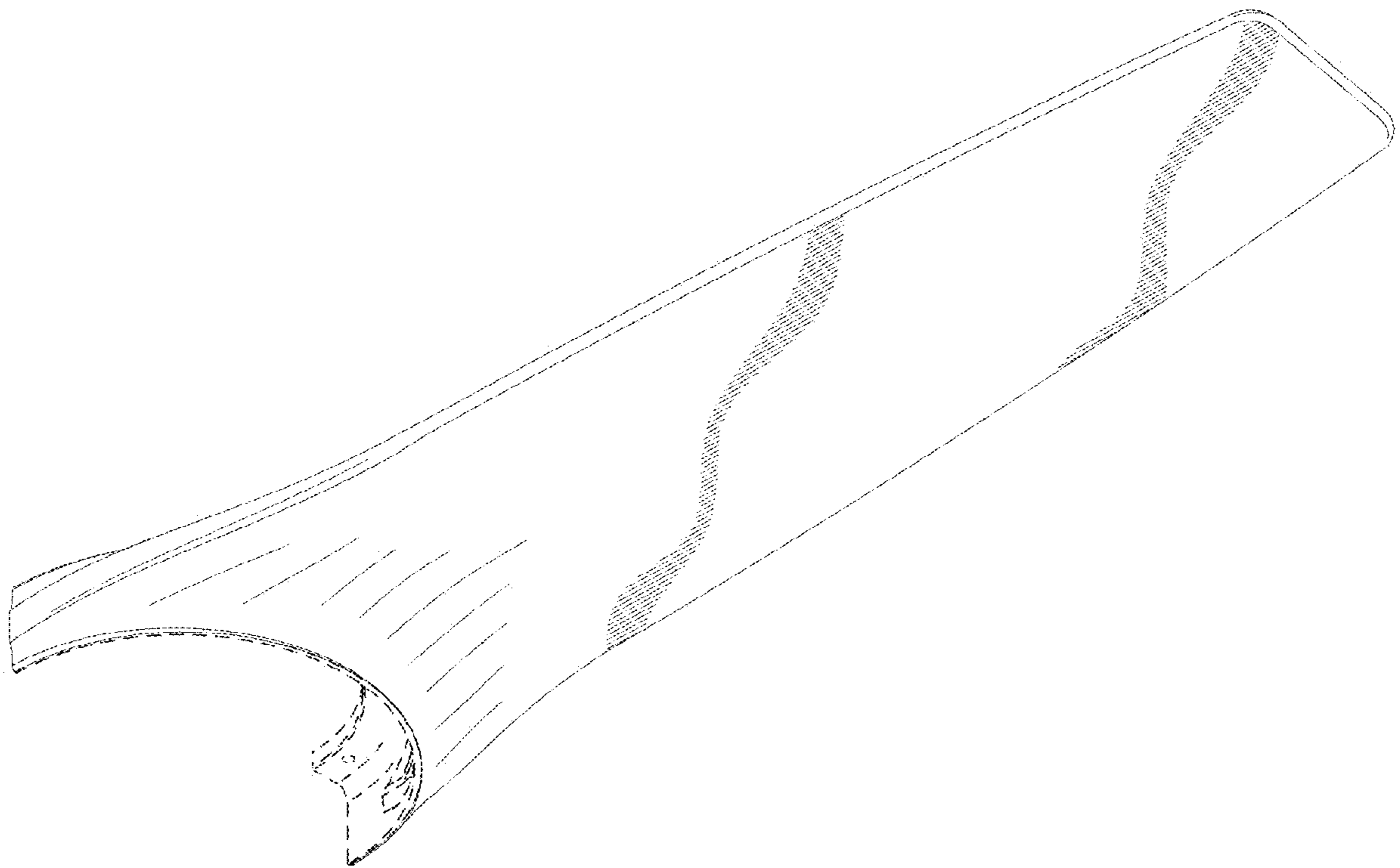


FIG. 2

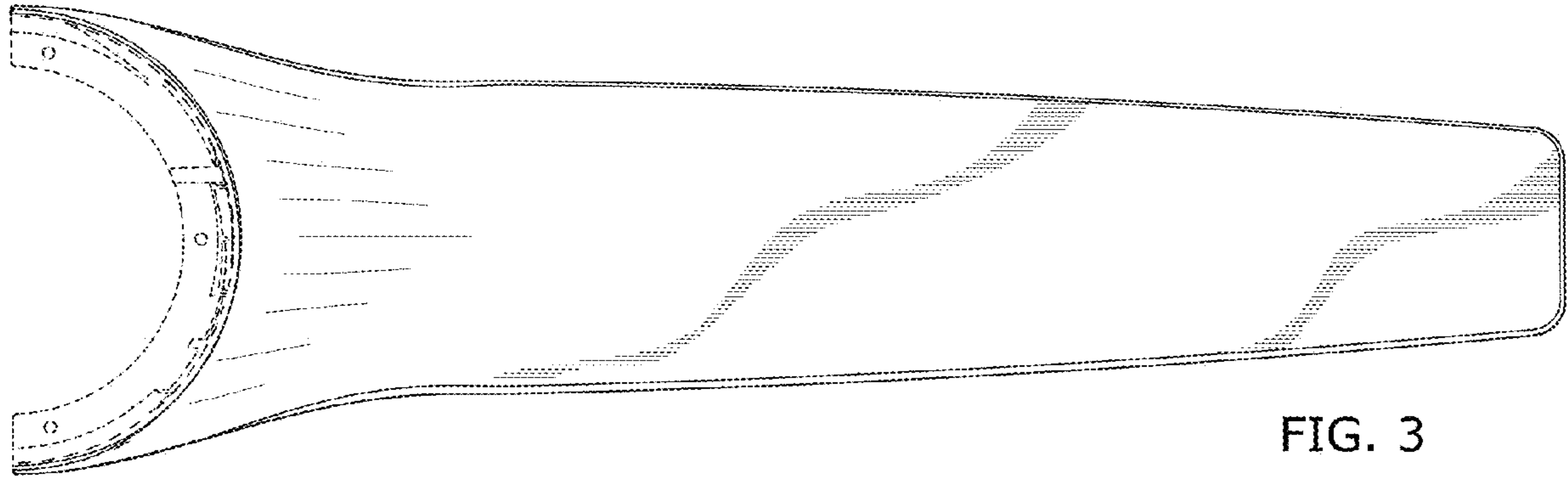


FIG. 3

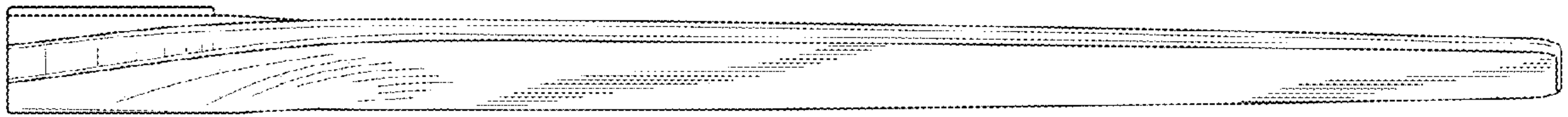


FIG. 4

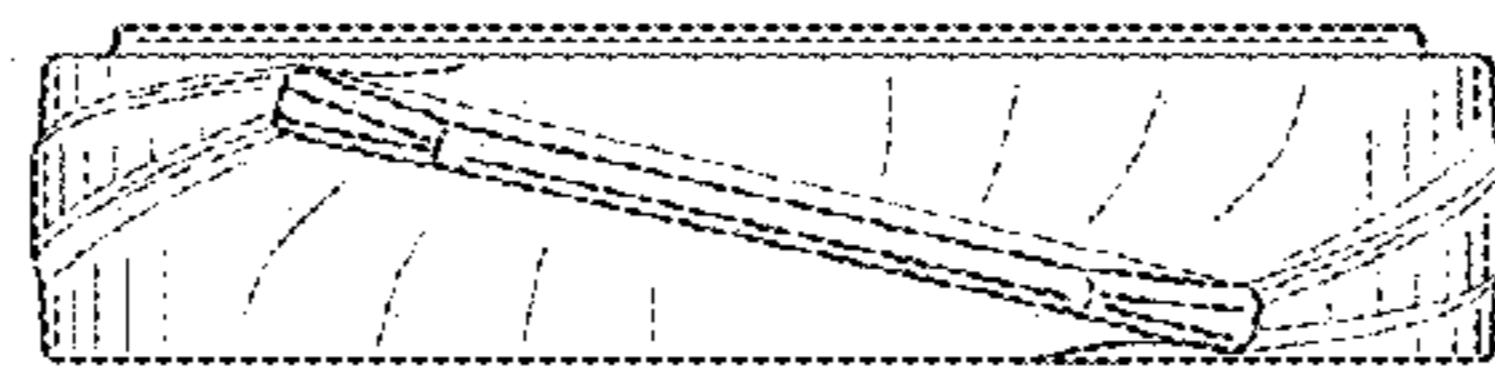


FIG. 5



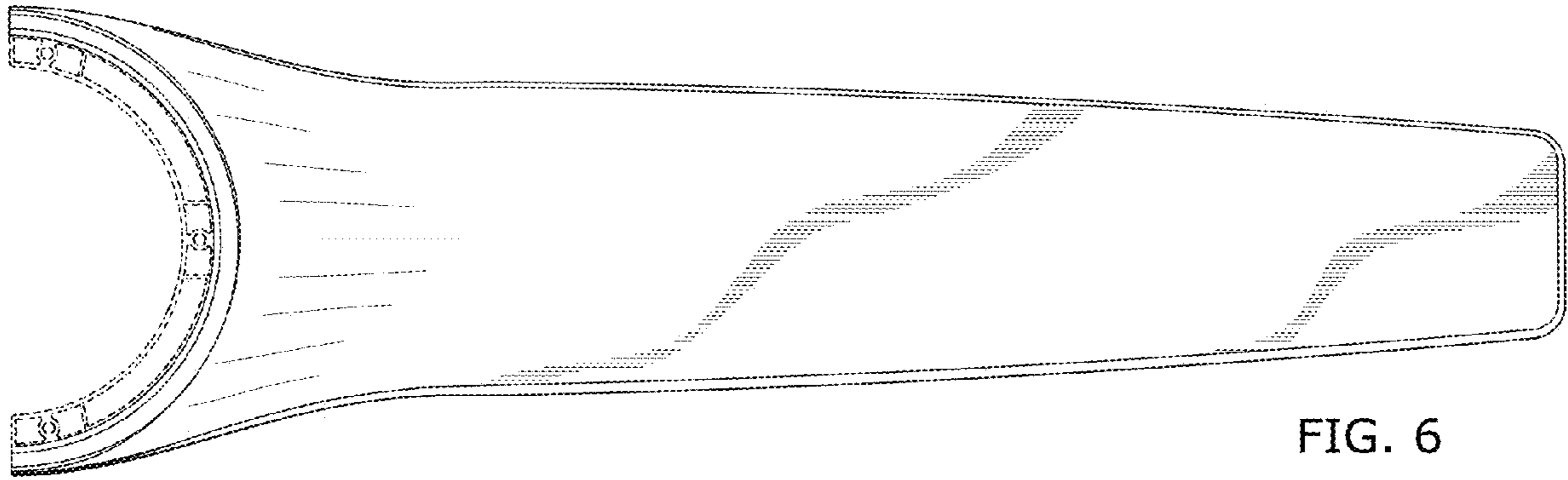


FIG. 6

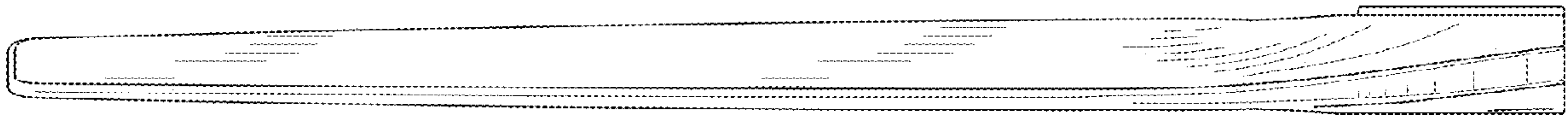


FIG. 7

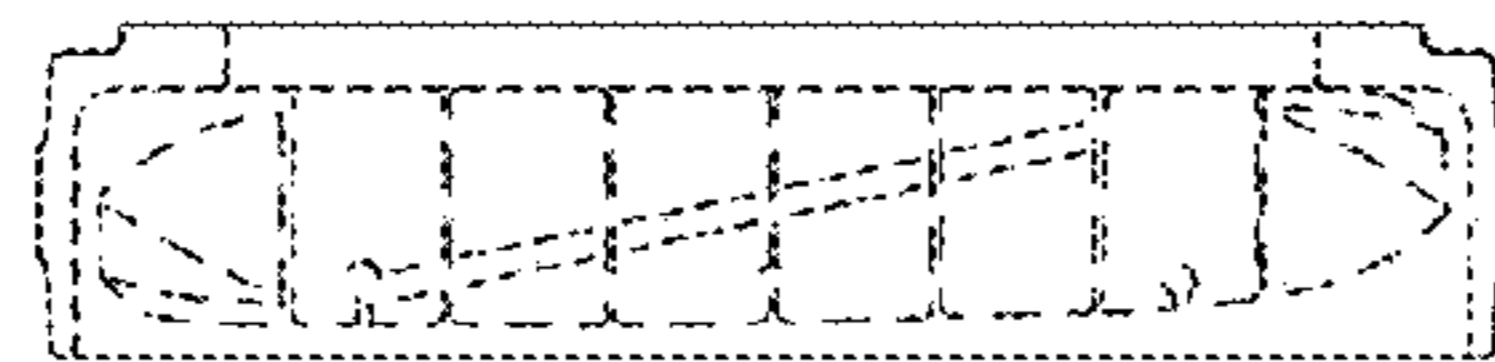


FIG. 8