



US00D892299S

(12) **United States Design Patent** (10) **Patent No.:** **US D892,299 S**
Roberts (45) **Date of Patent:** **** Aug. 4, 2020**

(54) **BIN WITH ADJUSTABLE SIDES**

(71) Applicant: **Logox LLC**, Arlington, VT (US)
(72) Inventor: **Jonathan Roberts**, Arlington, VT (US)
(**) Term: **15 Years**

(21) Appl. No.: **29/685,890**
(22) Filed: **Apr. 1, 2019**
(51) **LOC (12) Cl.** **06-04**
(52) **U.S. Cl.**
USPC **D23/410**
(58) **Field of Classification Search**
USPC D23/386, 398, 410, 404, 403, 387;
D6/678, 683, 675; 312/351; 126/540,
126/541; D9/715; D7/601, 504; D19/90
CPC F24B 1/00; F24B 1/193; F24B 1/199
See application file for complete search history.

(56) **References Cited**

U.S. PATENT DOCUMENTS

D32,491 S * 4/1900 McCarroll D23/410
4,215,671 A * 8/1980 Nadolsky F24B 1/193
126/541
4,236,775 A * 12/1980 Haynes F24B 1/199
312/351
4,280,475 A * 7/1981 Truran F24B 1/193
126/152 B
4,369,762 A * 1/1983 Ziebert F24B 1/193
126/152 B
D270,939 S * 10/1983 Stehlik D23/410
D301,369 S * 5/1989 Wilkening D23/398
4,892,088 A * 1/1990 Vestal, Sr. F24B 1/193
126/540
4,955,362 A * 9/1990 Underdown F24B 1/193
126/152 B
D321,051 S * 10/1991 Nagy D23/410

(Continued)

FOREIGN PATENT DOCUMENTS

CN 302638432 * 6/2013

OTHER PUBLICATIONS

LogOX Hearth Bin, review Date Jul. 12, 2019[online], [site visited date May 14, 2020]. Available from internet, URL:<https://www.amazon.com/LogOX-Hearth-Adjustable-Kindling-Firewood/dp/B07TV7Y3MD?th=1> (Year: 2019).*

(Continued)

Primary Examiner — Barbara Fox
Assistant Examiner — Jamaal Rasheed
(74) *Attorney, Agent, or Firm* — Green Mountain Innovations LLC; Alan Coté

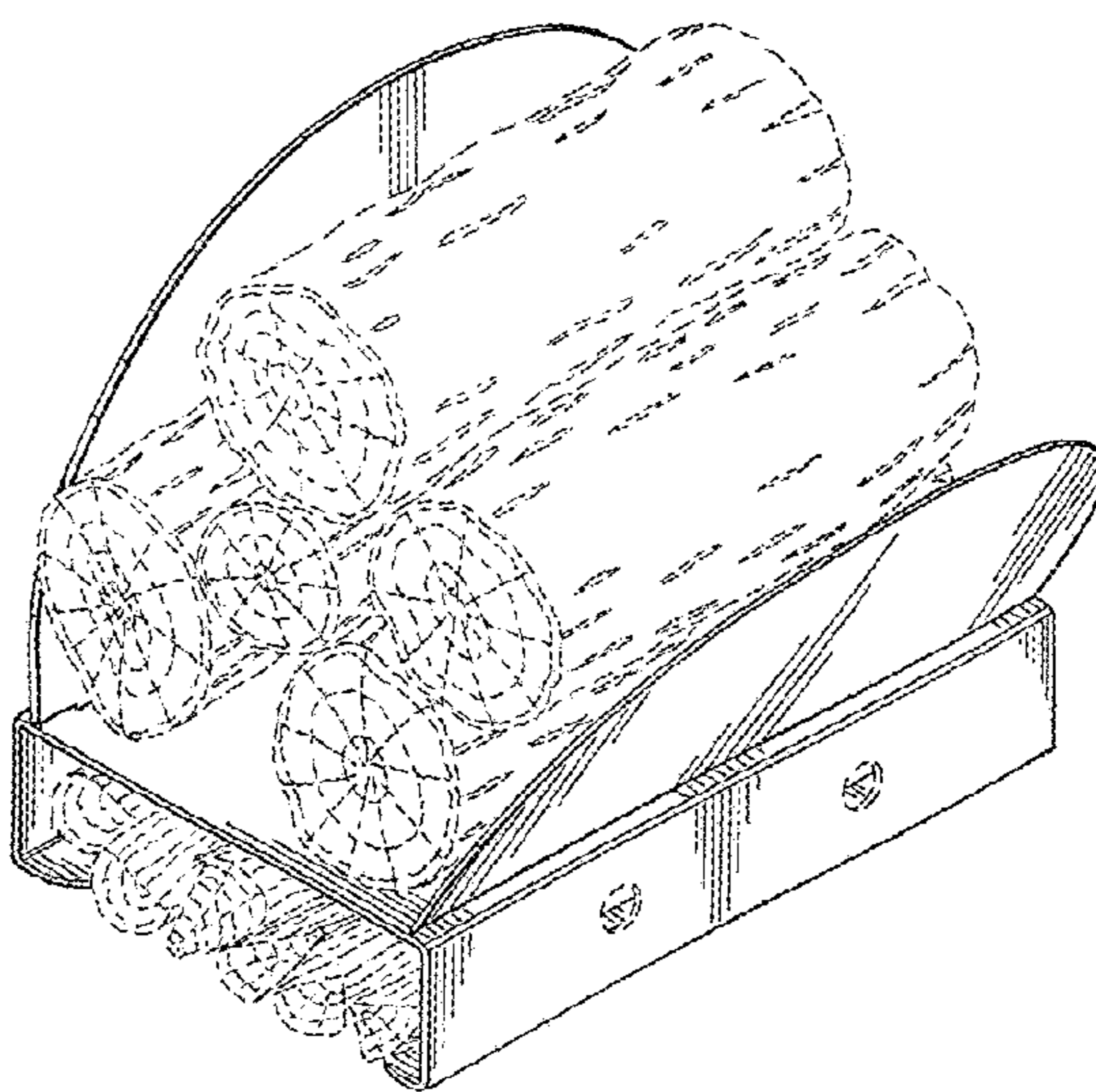
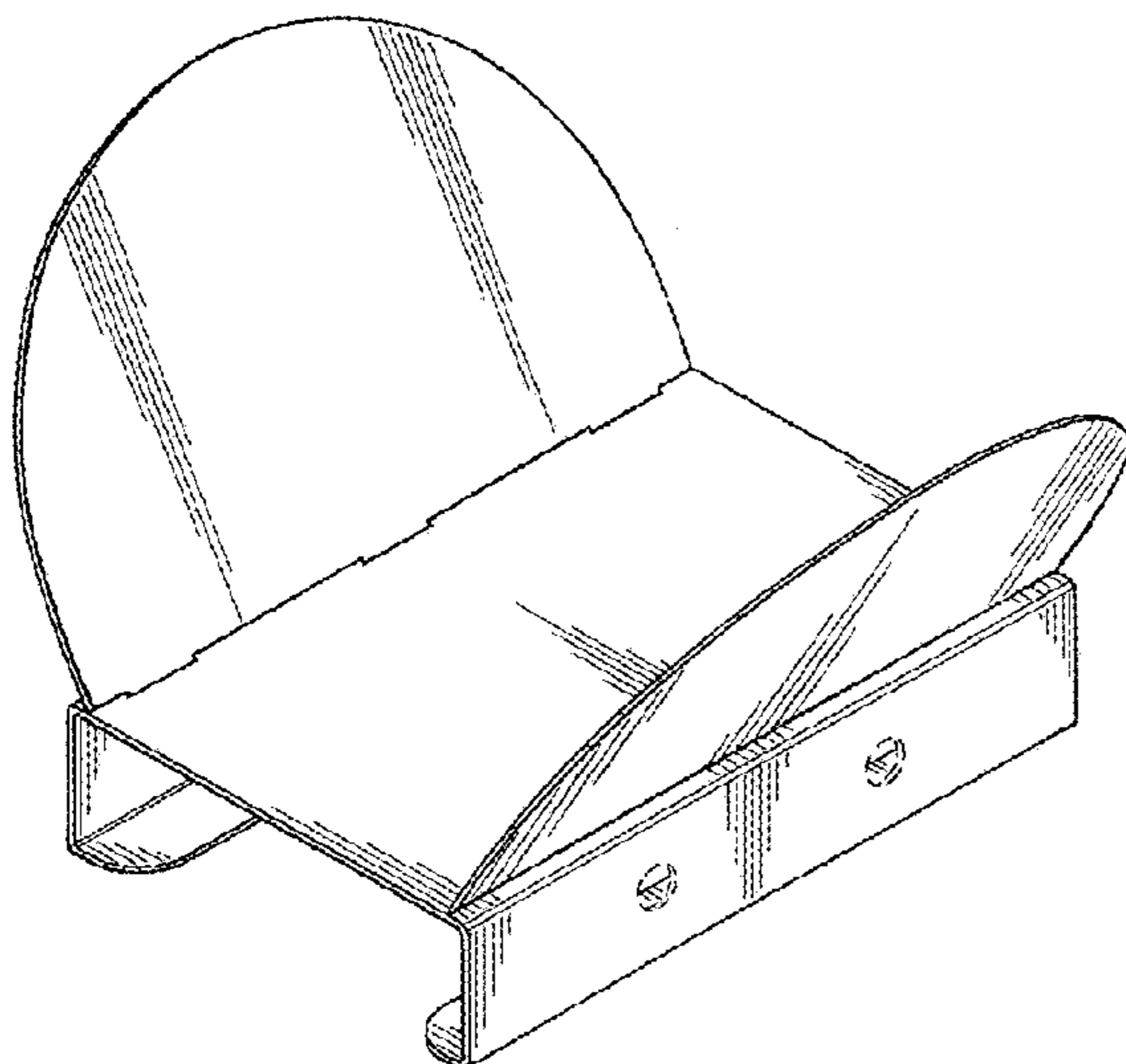
(57) **CLAIM**

The ornamental design for a bin with adjustable sides, as shown and described.

DESCRIPTION

FIG. 1 is a top, front, right side perspective view of a bin with adjustable sides showing the new design.
FIG. 2 is a front elevational view thereof, the rear view being a mirror image thereof.
FIG. 3 is a left side elevational view thereof, the right side being a mirror image thereof.
FIG. 4 is a top plan view of the bin with adjustable sides of FIG. 1.
FIG. 5 is a bottom plan view thereof.
FIG. 6 is an exploded perspective view thereof.
FIG. 7 is perspective view of the bin with adjustable sides of FIG. 1 showing environment.
FIG. 8 is a perspective view of the bin with adjustable sides of FIG. 1, shown in an alternate position; and,
FIG. 9 is another perspective view thereof, showing additional environment.
The two circular features on the lower right side depict portions of the bin with adjustable sides that form no part of the claimed design. The remaining broken lines depict environment that forms no part of the claimed design.

1 Claim, 5 Drawing Sheets



(56)

References Cited

U.S. PATENT DOCUMENTS

D321,558 S * 11/1991 Vestal, Sr. D23/398
D335,404 S * 5/1993 Fleury D23/410
D340,973 S * 11/1993 Wilkening D23/398
D344,584 S * 2/1994 Carney D23/410
D416,322 S * 11/1999 Suher D23/410

OTHER PUBLICATIONS

Sunnydaze Curved Firewood Log Rack, review Date Aug. 17, 2018[online], [site visited date May 14, 2020]. Available from internet, URL:<<https://www.amazon.com/Sunnydaze-Firewood-Outdoor-Fireplace-Storage/dp/B07FDPMHC7?th=1>> (Year: 2020).*

* cited by examiner

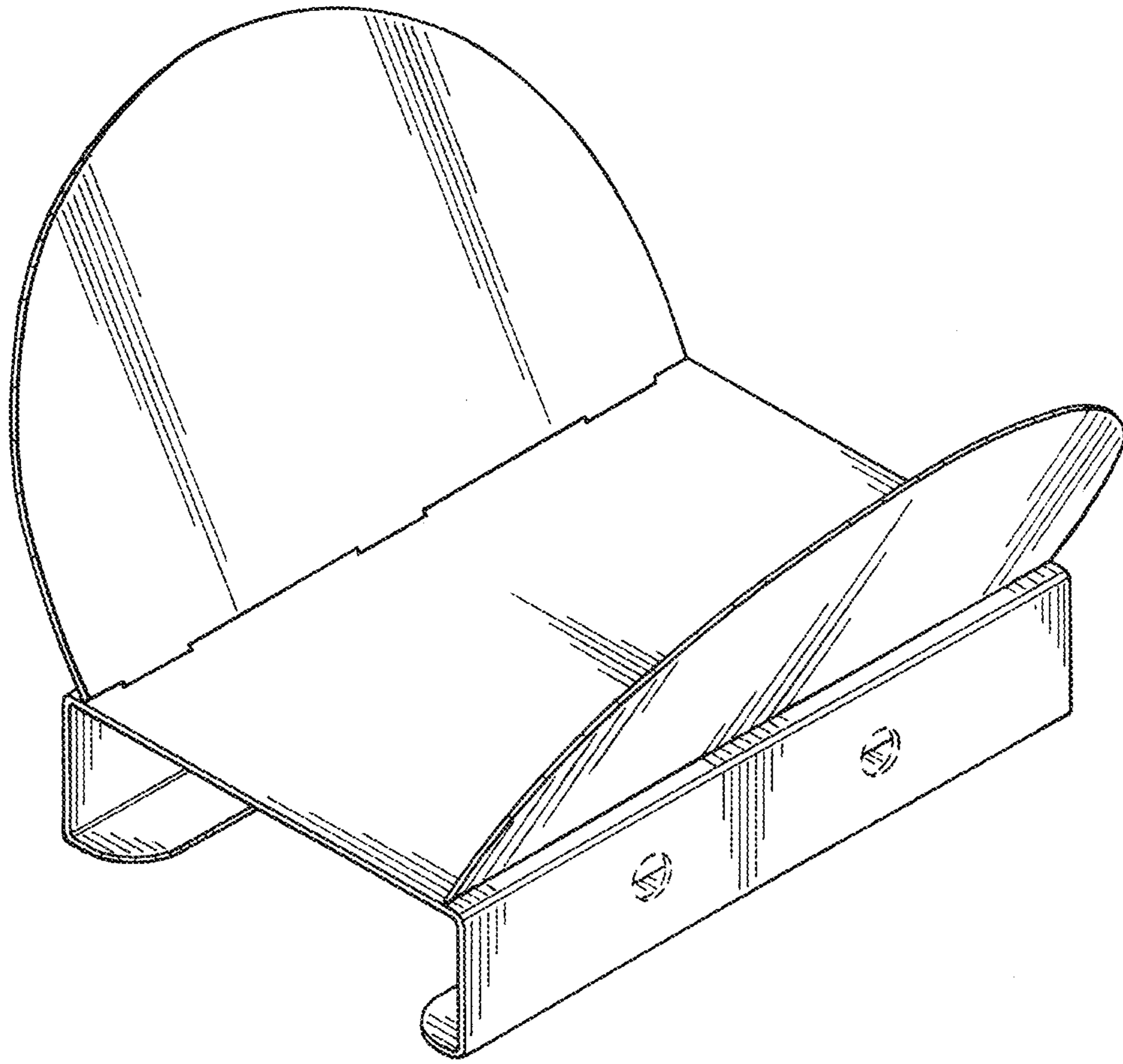


Fig. 1

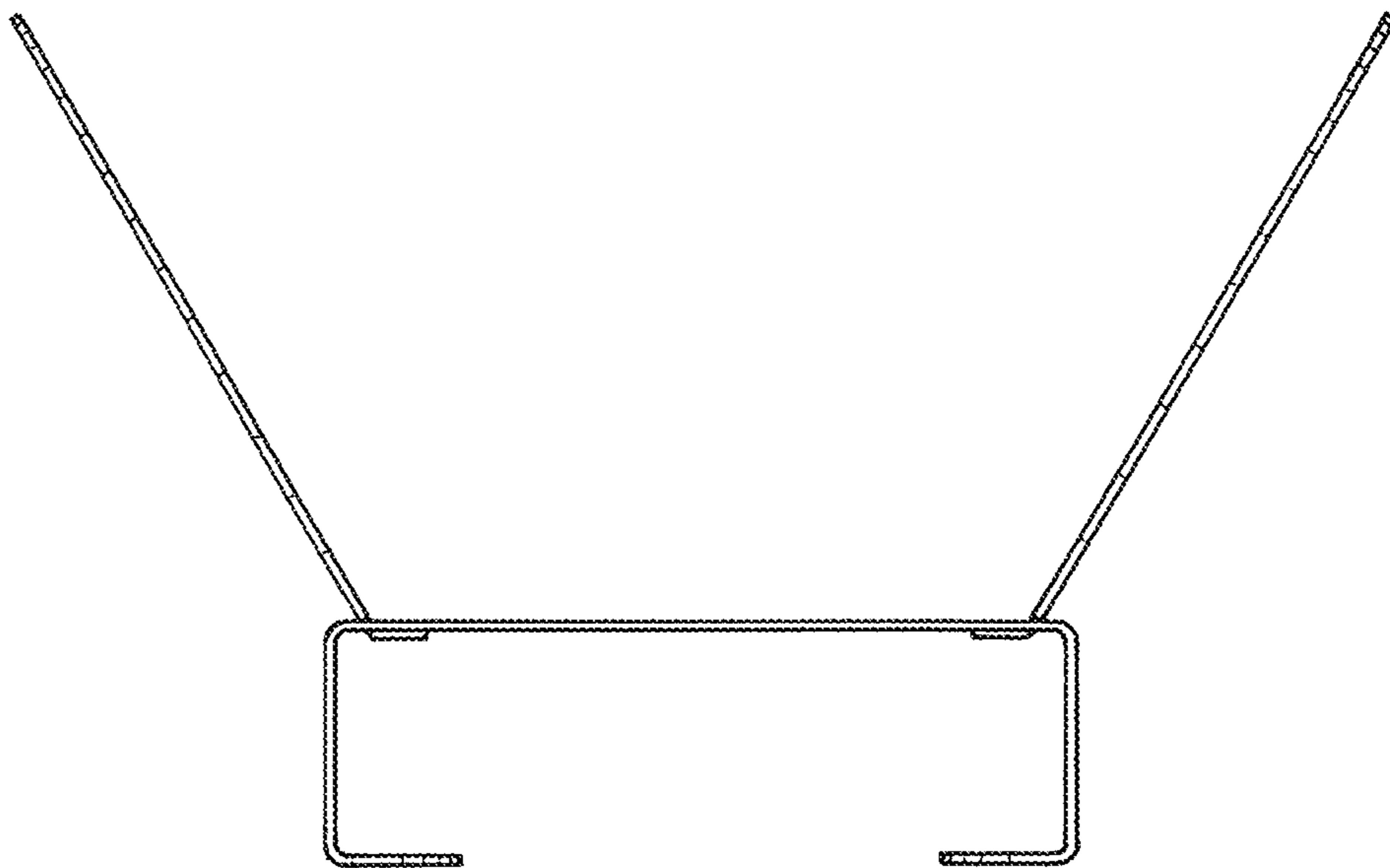


Fig. 2

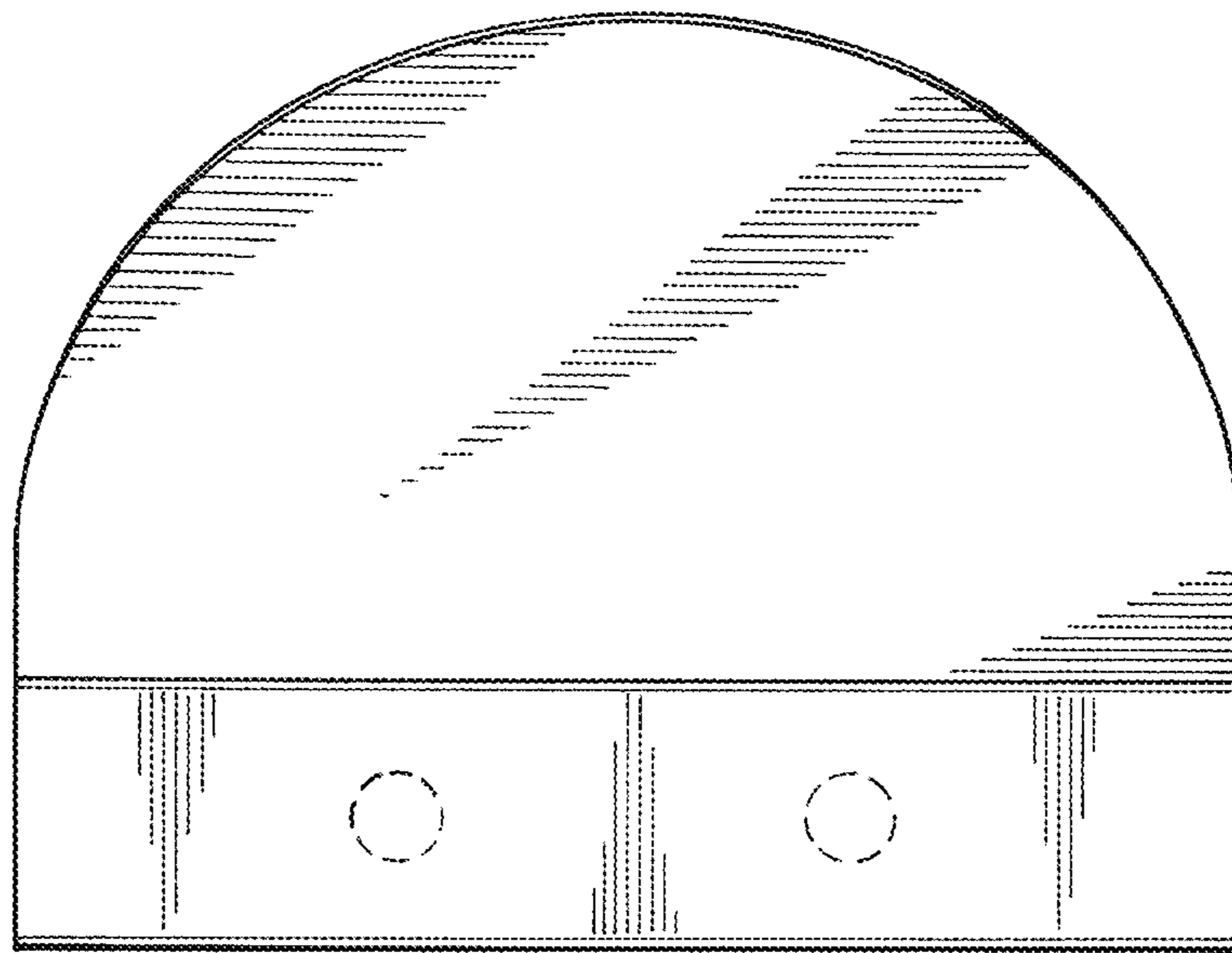


Fig. 3

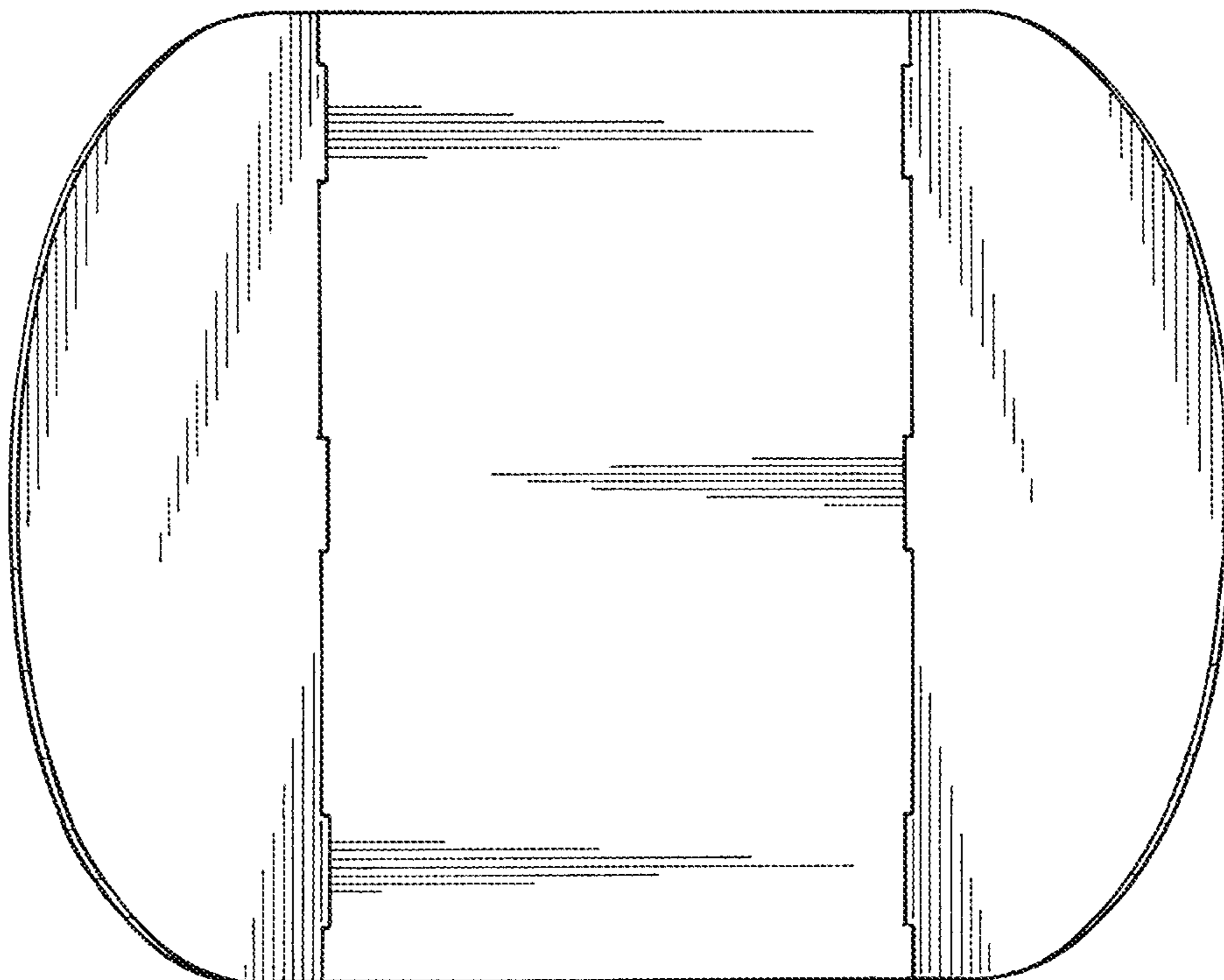


Fig. 4

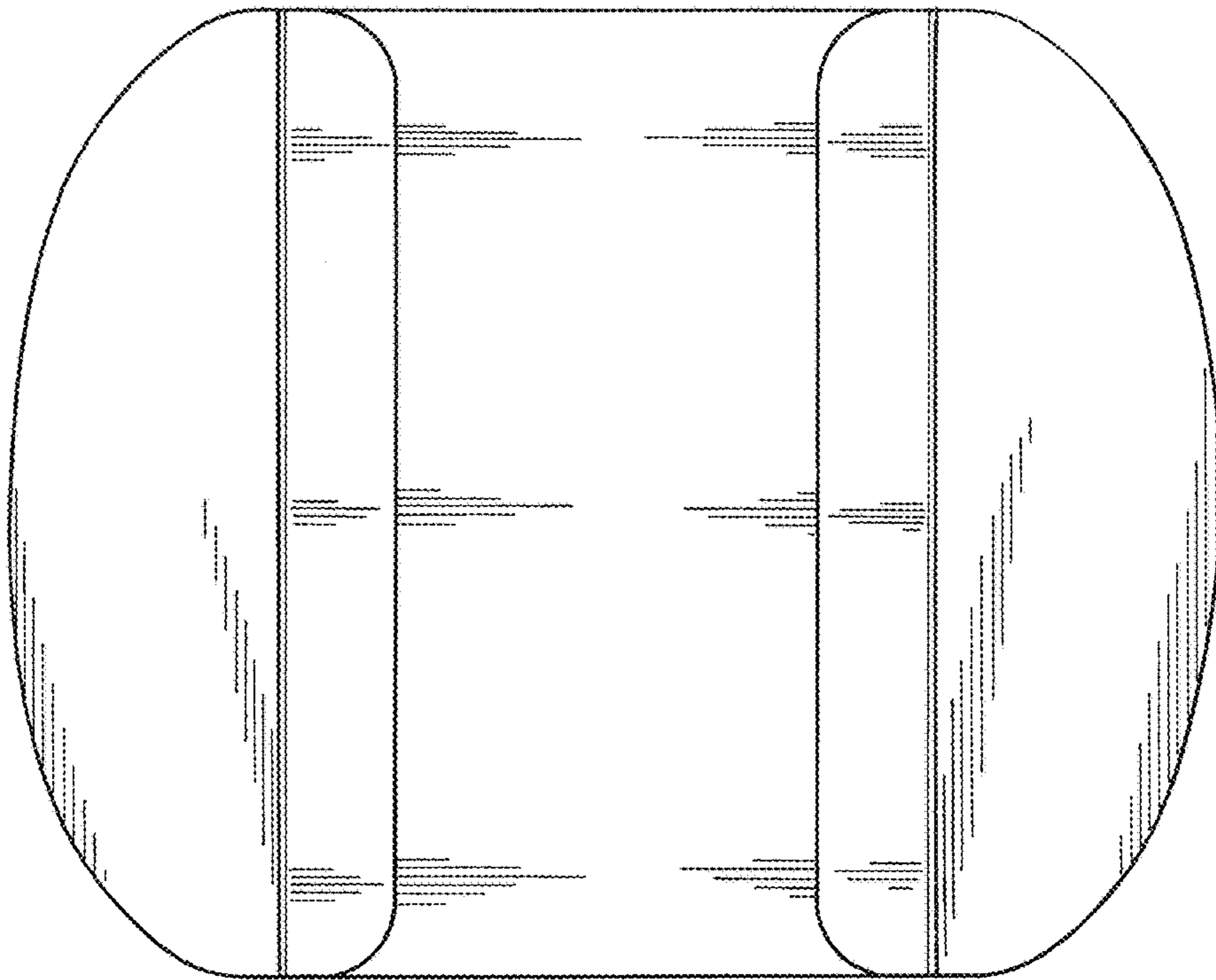


Fig. 5

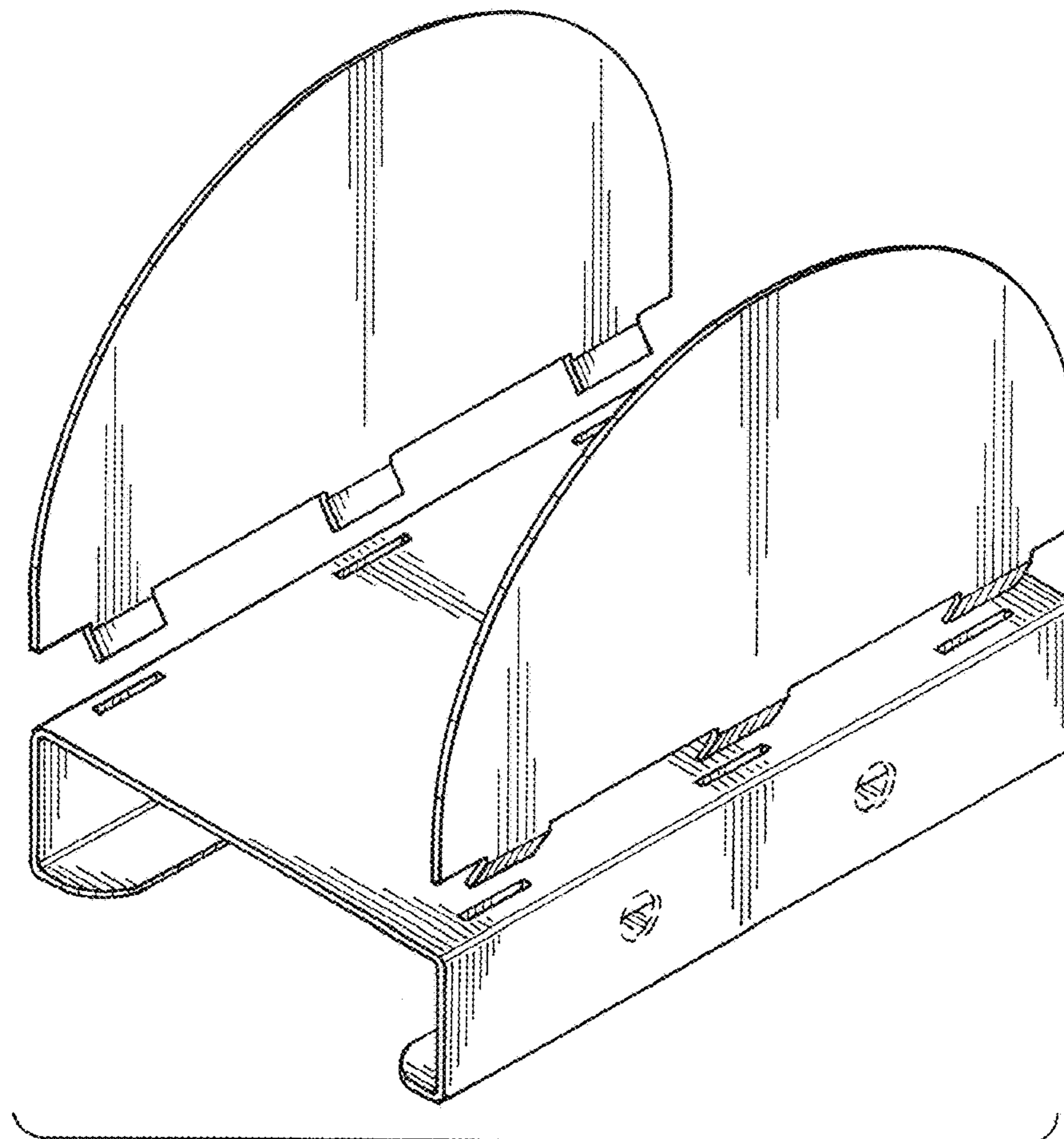


Fig. 6

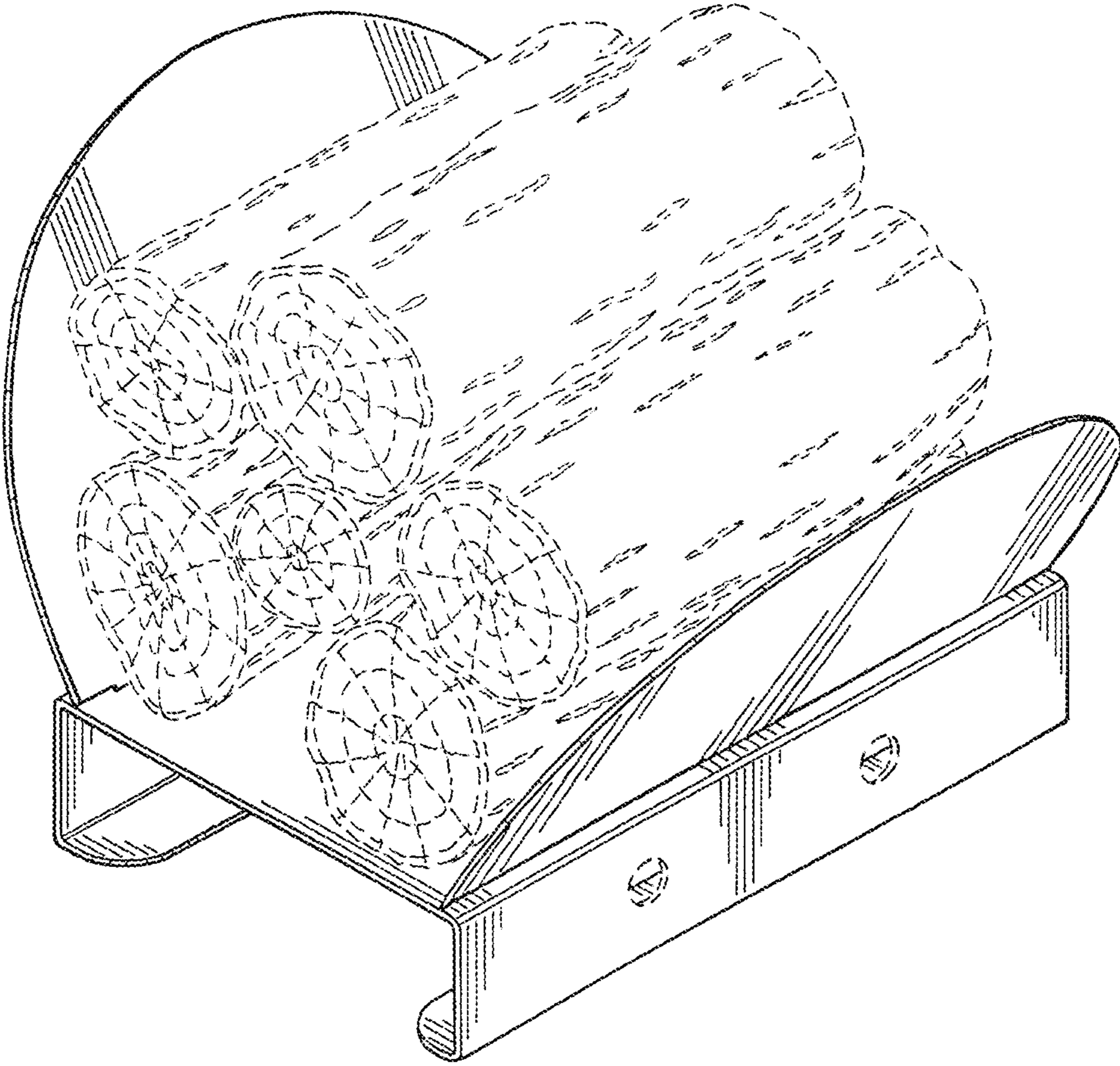


Fig. 7

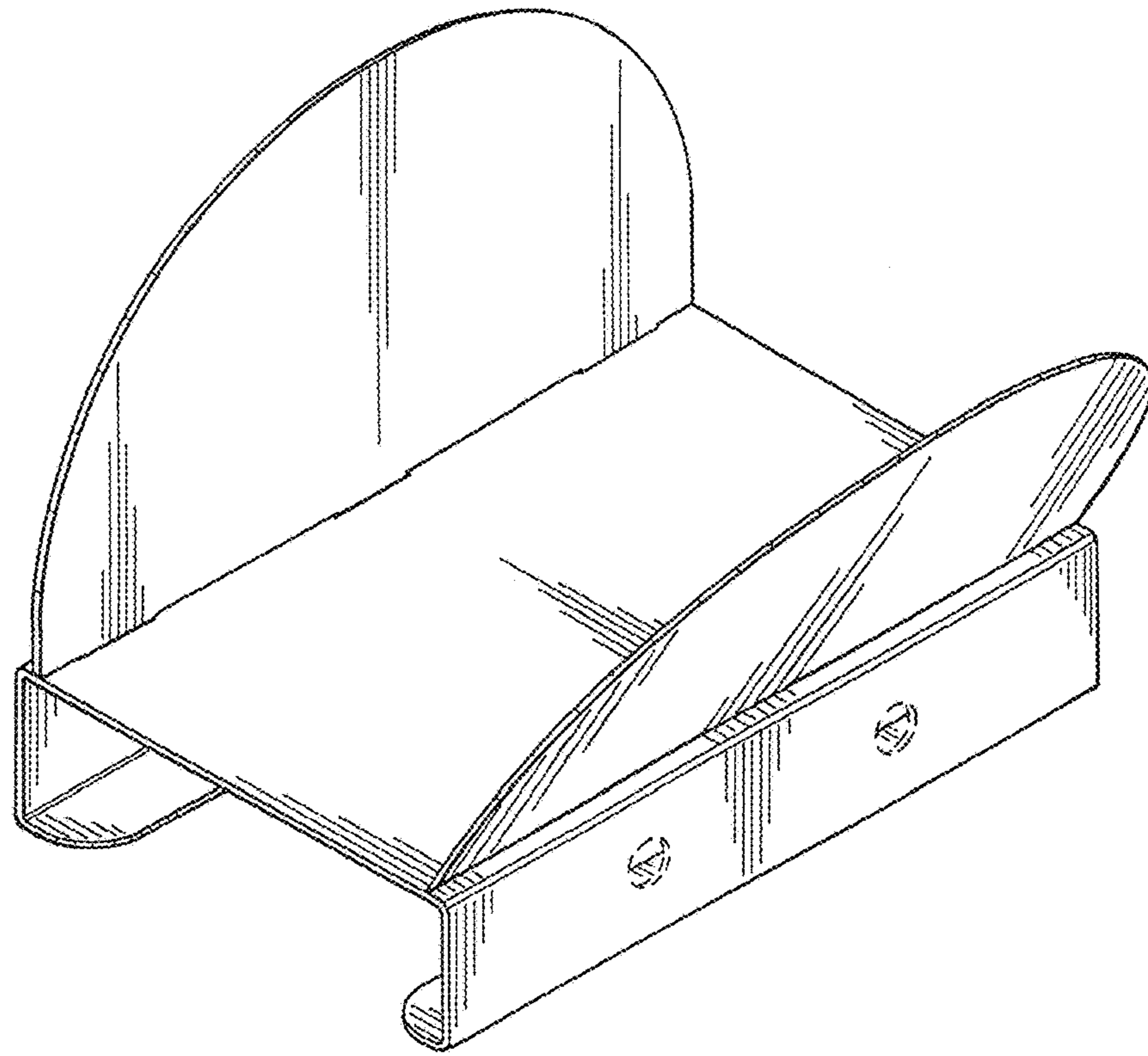


Fig. 8

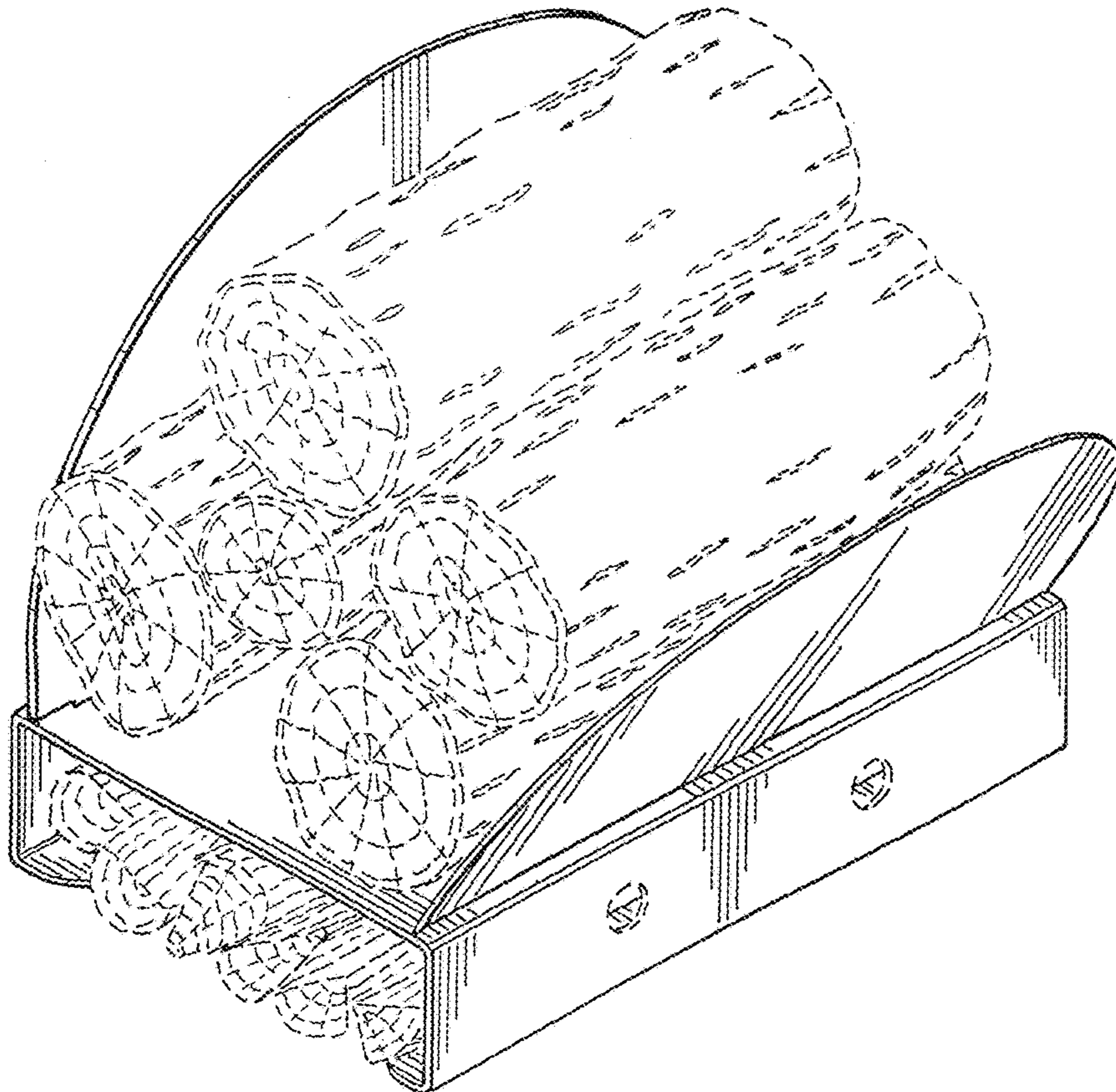


Fig. 9