



US00D892298S

(12) **United States Design Patent**  
**Zeigler et al.**

(10) **Patent No.:** **US D892,298 S**

(45) **Date of Patent:** **\*\* Aug. 4, 2020**

(54) **FLUE DUCT CONNECTOR**

(71) Applicants: **Ronald Zeigler**, Greer, SC (US); **Paul Desmond**, Spartanburg, SC (US)

(72) Inventors: **Ronald Zeigler**, Greer, SC (US); **Paul Desmond**, Spartanburg, SC (US)

(\*\*) Term: **15 Years**

(21) Appl. No.: **29/649,065**

(22) Filed: **May 25, 2018**

(51) **LOC (12) Cl.** ..... **23-03**

(52) **U.S. Cl.**  
USPC ..... **D23/393**

(58) **Field of Classification Search**  
USPC ..... D7/409; D23/327, 354, 386, 387, 388,  
D23/389, 392, 393, 397, 403, 407, 415;  
D6/703; D8/400; D25/48.3  
CPC .. F23M 7/04; F24F 12/00; F24F 13/00; F24F  
13/0227; F24F 13/0236  
See application file for complete search history.

(56) **References Cited**

**U.S. PATENT DOCUMENTS**

2,758,646	A *	8/1956	Johnson	.....	E06B 7/32 160/354
3,001,805	A *	9/1961	Jones	.....	F16L 9/003 285/397
4,584,756	A *	4/1986	Arnoldt	.....	F16L 23/14 285/363
5,054,823	A *	10/1991	Arnoldt	.....	F16L 23/14 285/363
5,448,815	A *	9/1995	Kolesar	.....	F16L 23/14 29/243.5
D720,443	S *	12/2014	Kosuge	.....	D23/351
D730,093	S *	5/2015	Hawkins	.....	D6/703.5
D775,316	S *	12/2016	Nakai	.....	D23/351
D801,512	S *	10/2017	Hall	.....	D23/388

D809,640	S *	2/2018	Lee	.....	D23/354
D810,253	S *	2/2018	Lee	.....	D23/354
2008/0056817	A1 *	3/2008	Fasanella	.....	F16L 23/14 403/401

**OTHER PUBLICATIONS**

General Rubber website, Rubber Flanged Standard Styles 1092 & 1097, Earliest date from Wayback Machine Internet Archive Mar. 23, 2016, [site visited Mar. 23, 2020], Available on the Internet URL <https://web.archive.org/web/20160323000029/https://www.general-rubber.com/Products.php?Product=1092> (Year: 2016).  
India mart website, Flame Resistant Flexible Duct Connector, Publication date unknown, [site visited Mar. 23, 2020], Available on the Internet URL <https://www.indiamart.com/resistoflex/flexible-duct-connectors.html> (Year: 2020).\*

\* cited by examiner

*Primary Examiner* — Karen S Acker  
*Assistant Examiner* — Steven B Reinholdt, Jr.  
(74) *Attorney, Agent, or Firm* — Fox Rothschild LLP

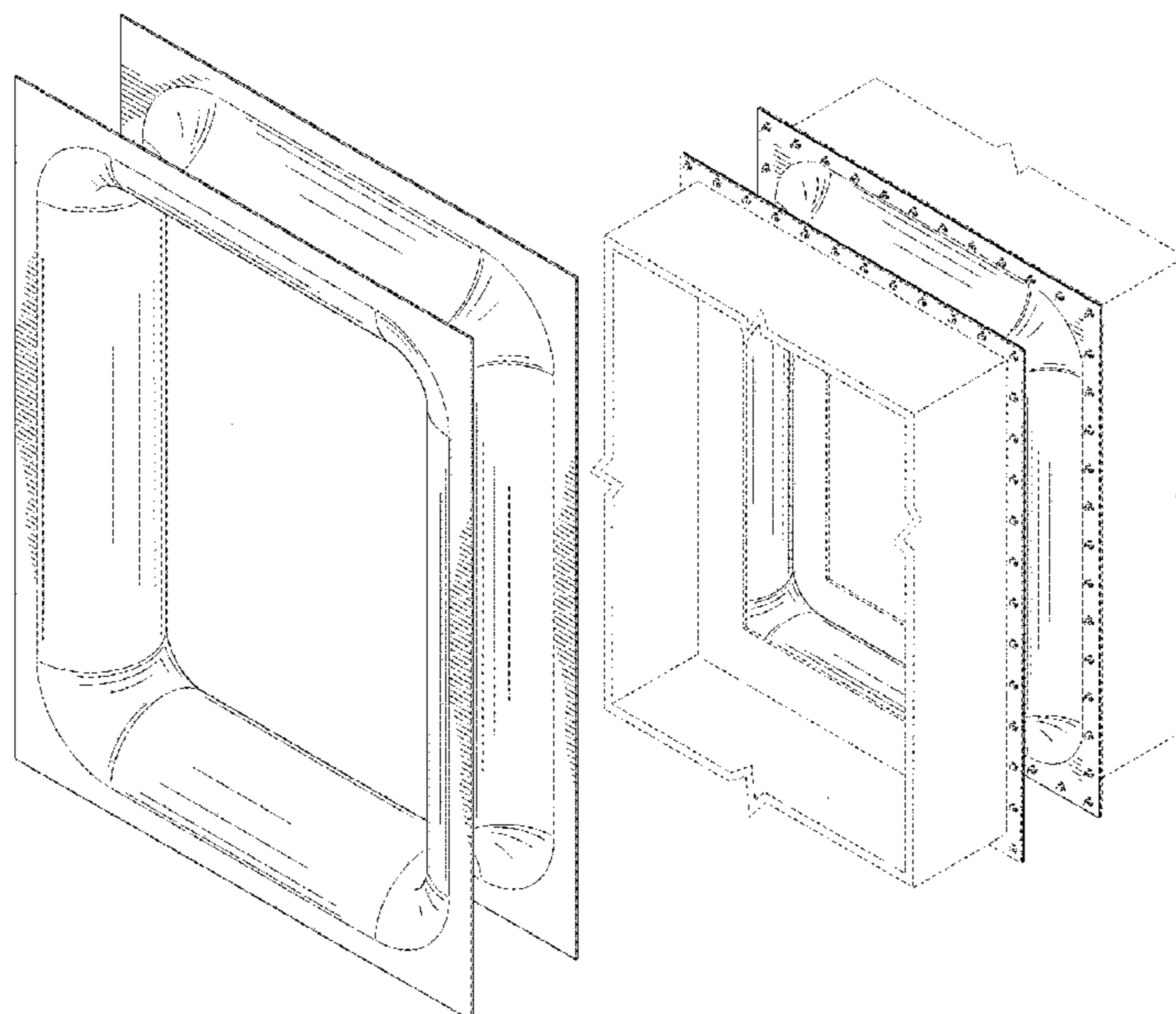
(57) **CLAIM**

The ornamental design for a flue duct connector, shown and described.

**DESCRIPTION**

FIG. 1 is a perspective view of a flue duct connector showing our new design.  
FIG. 2 is a top plan view thereof;  
FIG. 3 is a right side elevational view thereof, the left side elevational view being identical thereto;  
FIG. 4 is a front elevational view, the rear elevational view being identical thereto; and,  
FIG. 5 is a perspective view thereof in a use condition. The broken lines in FIG. 5 illustrating attachments to the planar surfaces of the flue duct connector depict environmental subject matter included to show the design in a position of use and form no part of the claimed design.

**1 Claim, 5 Drawing Sheets**



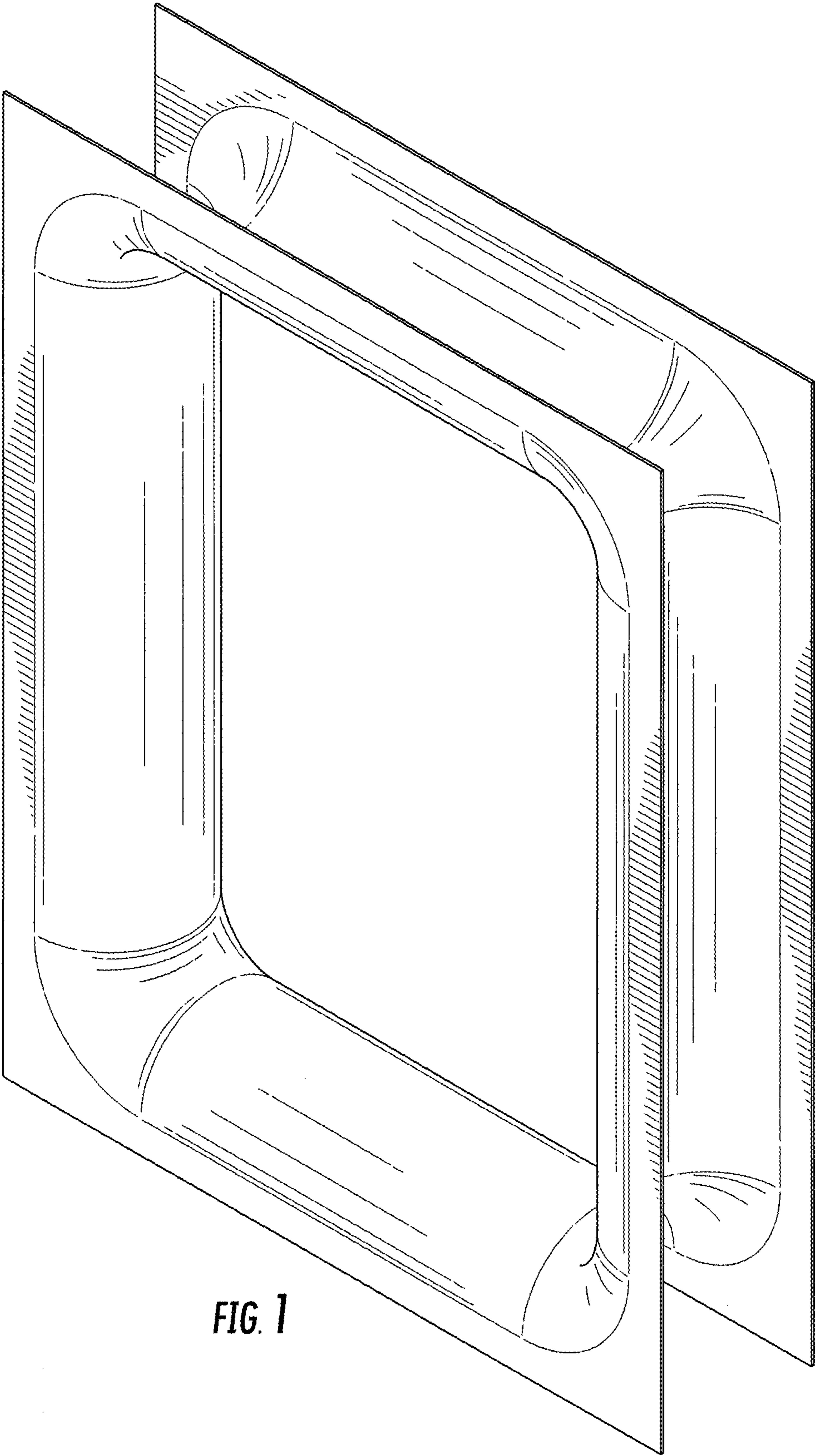


FIG. 1

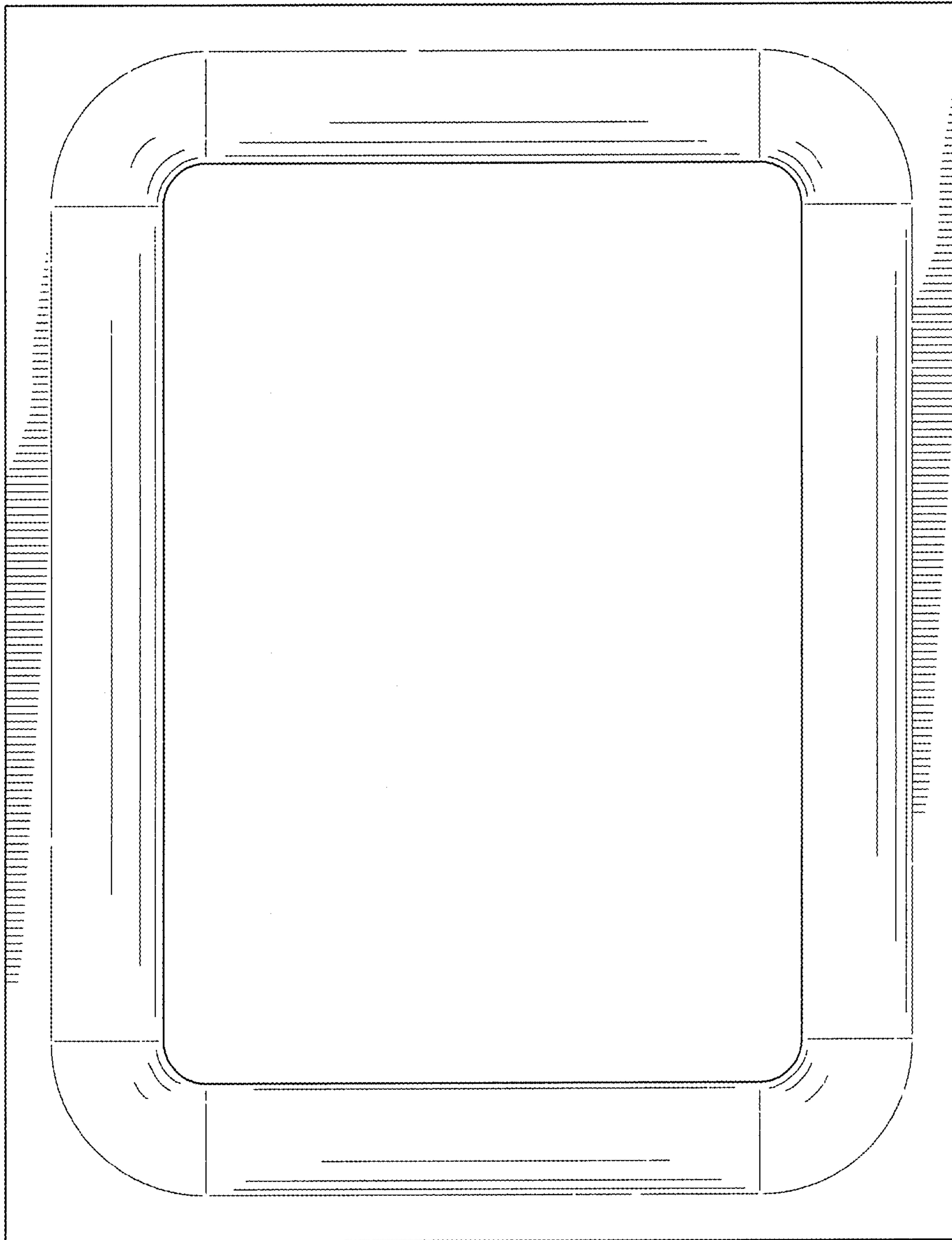
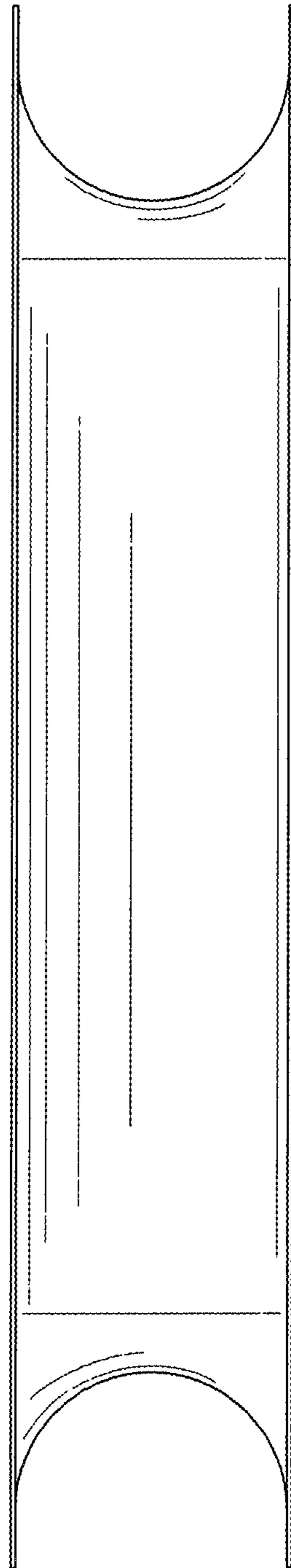
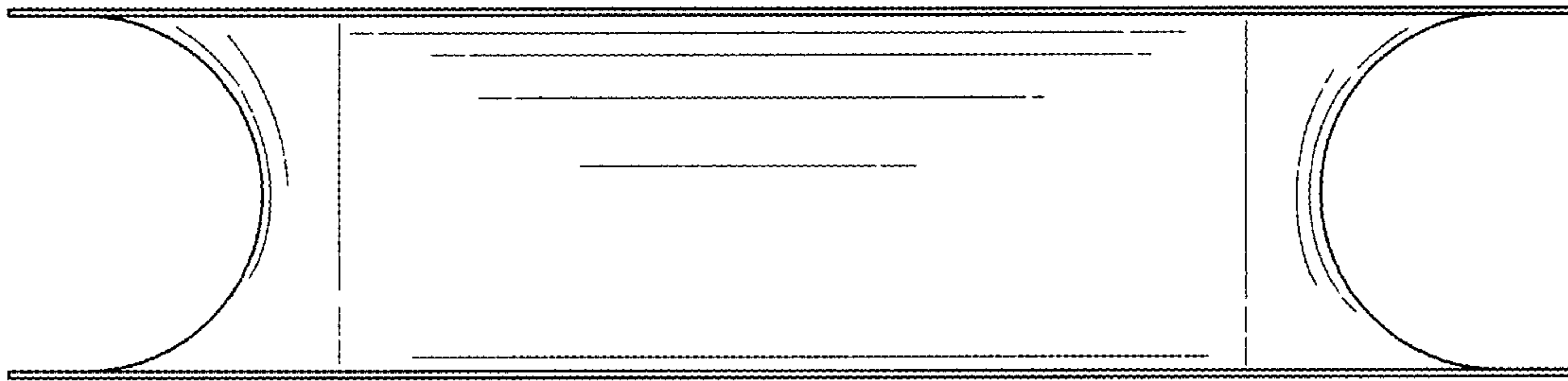


FIG. 2



**FIG. 3**



**FIG. 4**

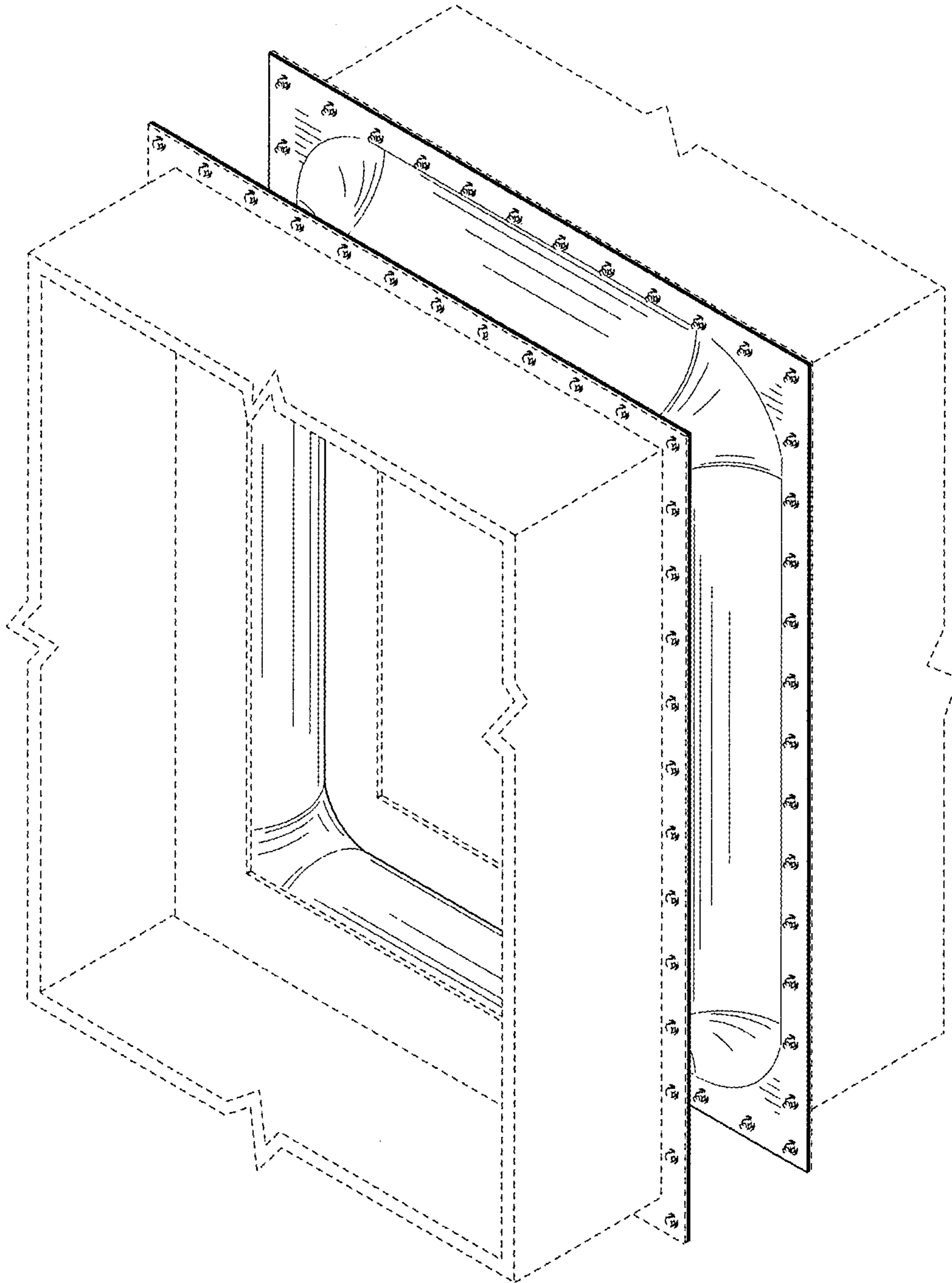


FIG. 5