



US00D892293S

(12) **United States Design Patent**
Okuhara

(10) **Patent No.:** **US D892,293 S**

(45) **Date of Patent:** **** Aug. 4, 2020**

(54) **ELECTRIC FAN**

(71) Applicant: **Rhythm Watch Co., Ltd., Saitama (JP)**

(72) Inventor: **Hiroki Okuhara, Saitama (JP)**

(73) Assignee: **Rhythm Watch Co., Ltd., Saitama (JP)**

(**) Term: **15 Years**

(21) Appl. No.: **29/658,709**

(22) Filed: **Aug. 2, 2018**

(30) **Foreign Application Priority Data**

Feb. 6, 2018 (JP) 2018-002247

(51) **LOC (12) Cl.** **23-04**

(52) **U.S. Cl.**
USPC **D23/370**

(58) **Field of Classification Search**
USPC D23/370-386, 393, 411-414, 351-354,
D23/332-337, 366-369, 387-392
CPC F04D 5/00; F04D 27/00; F04D 29/329
See application file for complete search history.

(56) **References Cited**

U.S. PATENT DOCUMENTS

D387,151 S *	12/1997	Fok	D23/332
D387,153 S *	12/1997	Fok	D23/332
D390,947 S *	2/1998	Fok	D23/332
D415,270 S *	10/1999	Fok	D23/332
D435,899 S *	1/2001	Melwani	D23/382
D458,361 S *	6/2002	Melwani	D23/379
D513,434 S *	1/2006	Melwani	D23/379

D564,084 S *	3/2008	Chen	D23/382
D580,539 S *	11/2008	Rittri	D23/364
D674,476 S *	1/2013	Junkel	D23/370
D676,123 S *	2/2013	Hideharu	D23/370
D684,249 S *	6/2013	Herbst	D23/370
D689,599 S *	9/2013	Herbst	D23/382
D750,212 S *	2/2016	Herbst	D23/382
D818,106 S *	5/2018	Junkel	D23/382
D818,108 S *	5/2018	Junkel	D23/382
D825,048 S *	8/2018	Breit	D23/382
D832,989 S *	11/2018	Breit	D23/370
D841,796 S *	2/2019	Freeland	D23/382

* cited by examiner

Primary Examiner — Cathron C Brooks

Assistant Examiner — Sharon S Oum

(74) *Attorney, Agent, or Firm* — Hoffmann & Baron, LLP

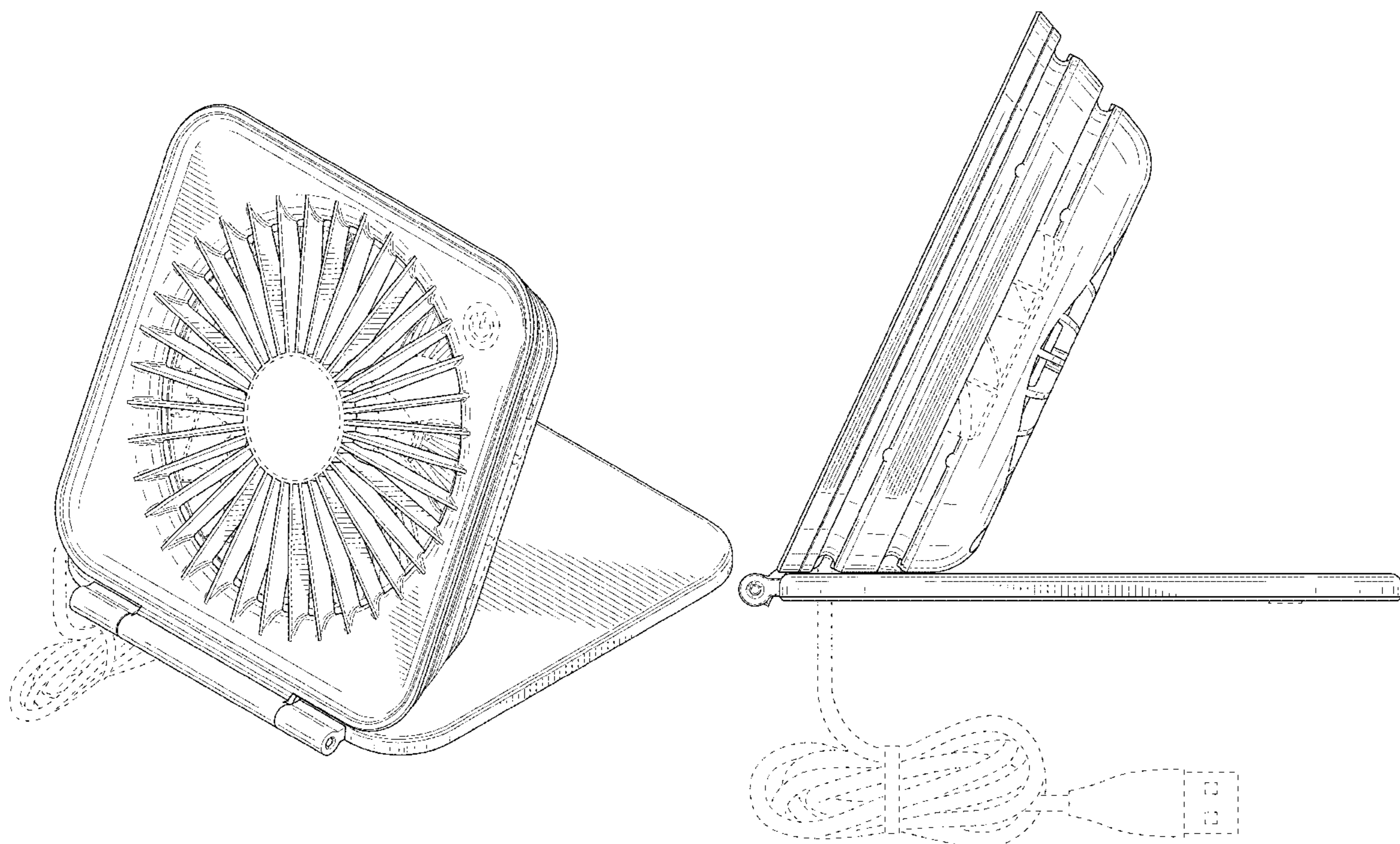
(57) **CLAIM**

The ornamental design for the electric fan, as shown and described.

DESCRIPTION

FIG. 1 is a perspective view of an electric fan;
FIG. 2 is a front view of the electric fan shown in FIG. 1;
FIG. 3 is a back view of the electric fan shown in FIG. 1;
FIG. 4 is a left view of the electric fan shown in FIG. 1;
FIG. 5 is a right view of the electric fan shown in FIG. 1;
FIG. 6 is a top view of the electric fan shown in FIG. 1; and,
FIG. 7 is a bottom view of the electric fan shown in FIG. 1.
The broken lines illustrate portions of the electric fan that form no part of the claimed design.

1 Claim, 7 Drawing Sheets



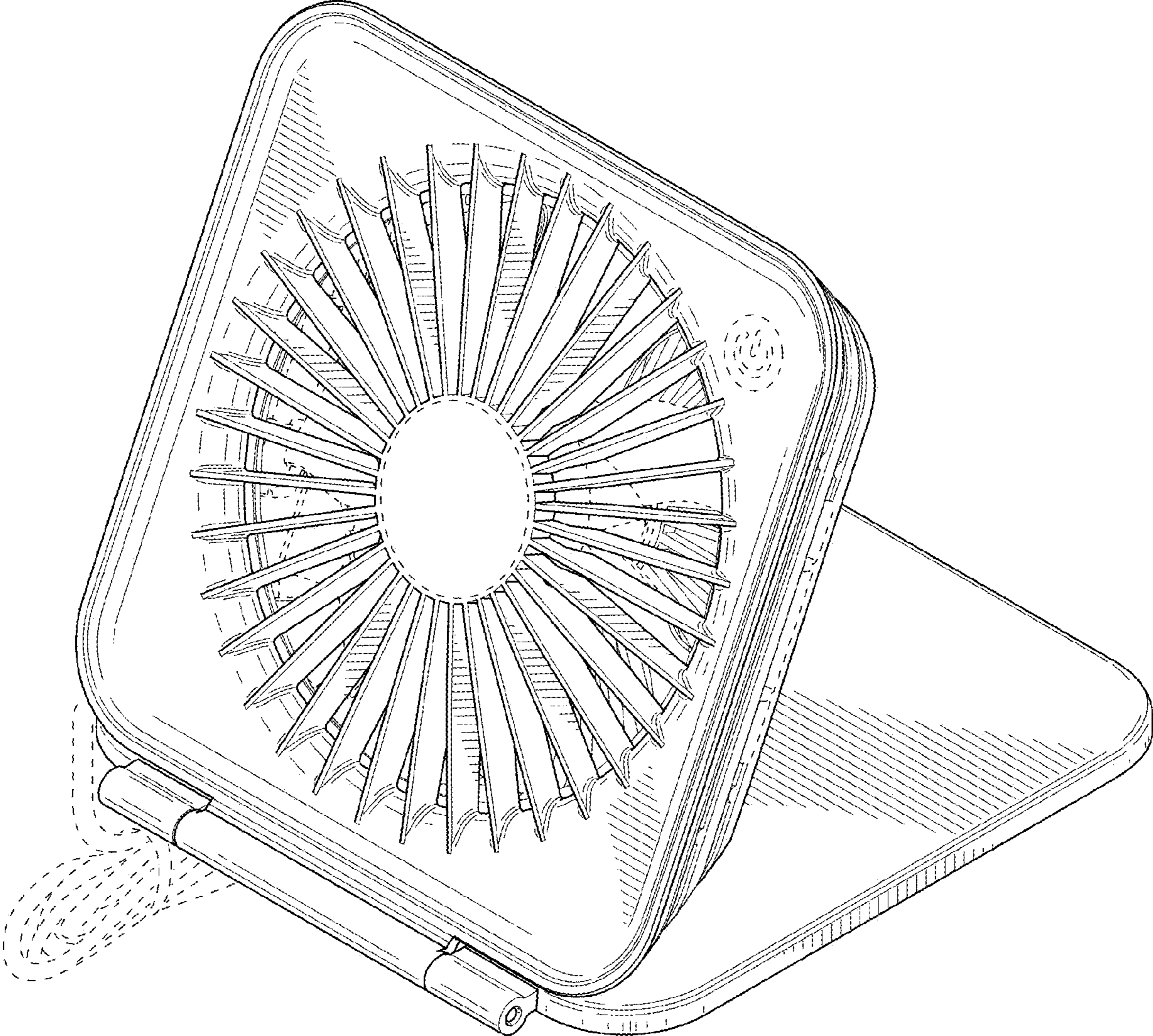


FIG. 1

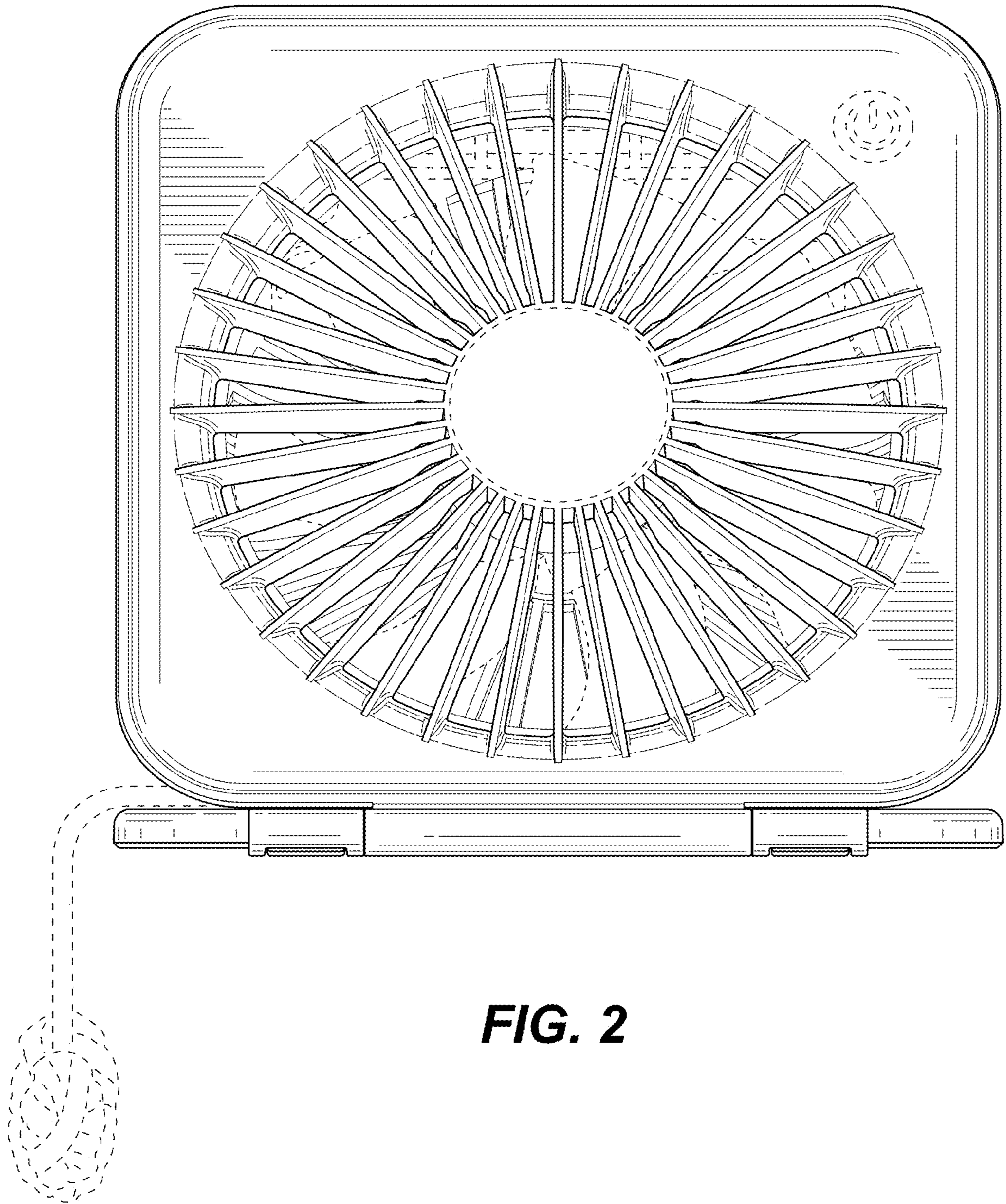


FIG. 2

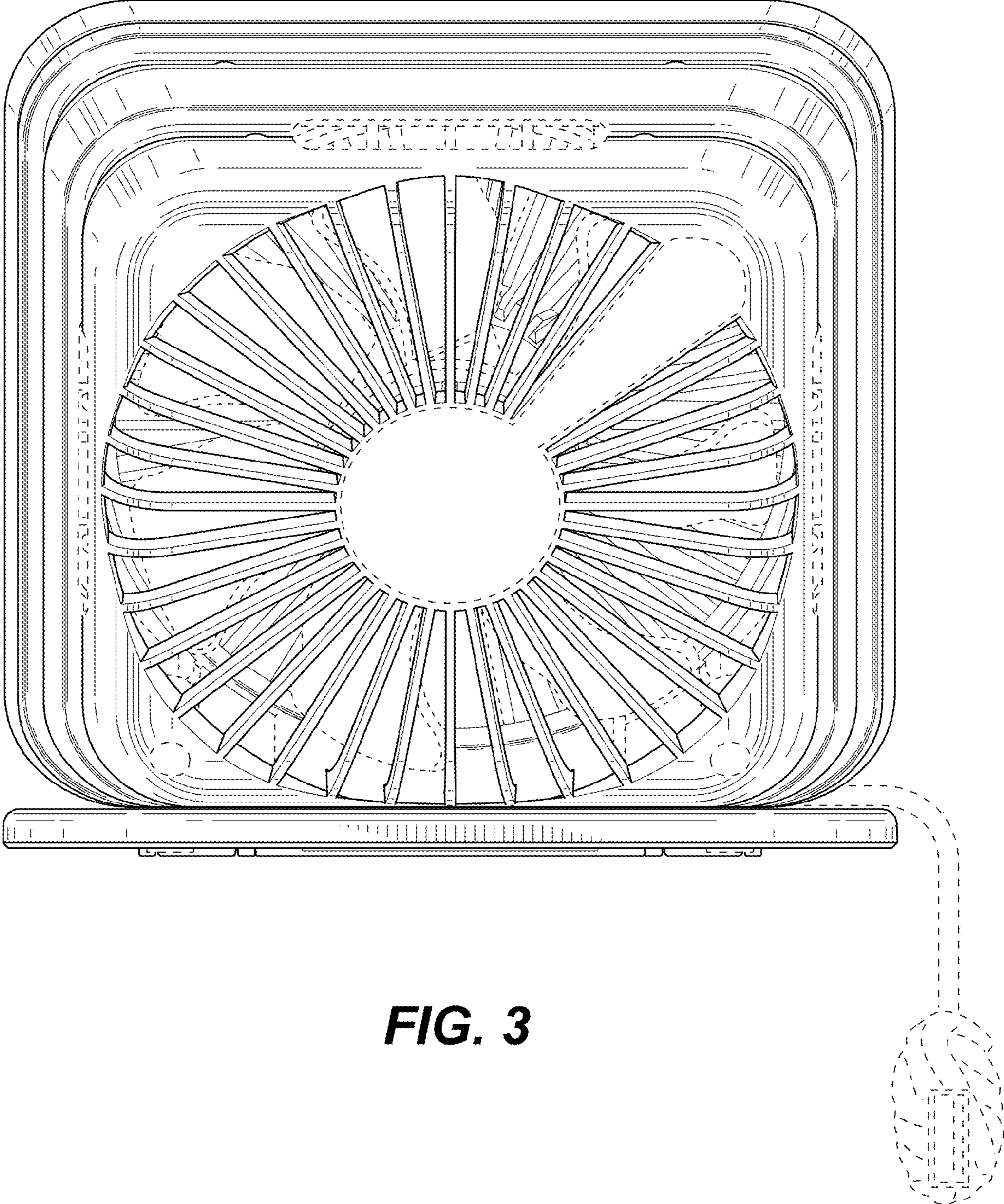


FIG. 3

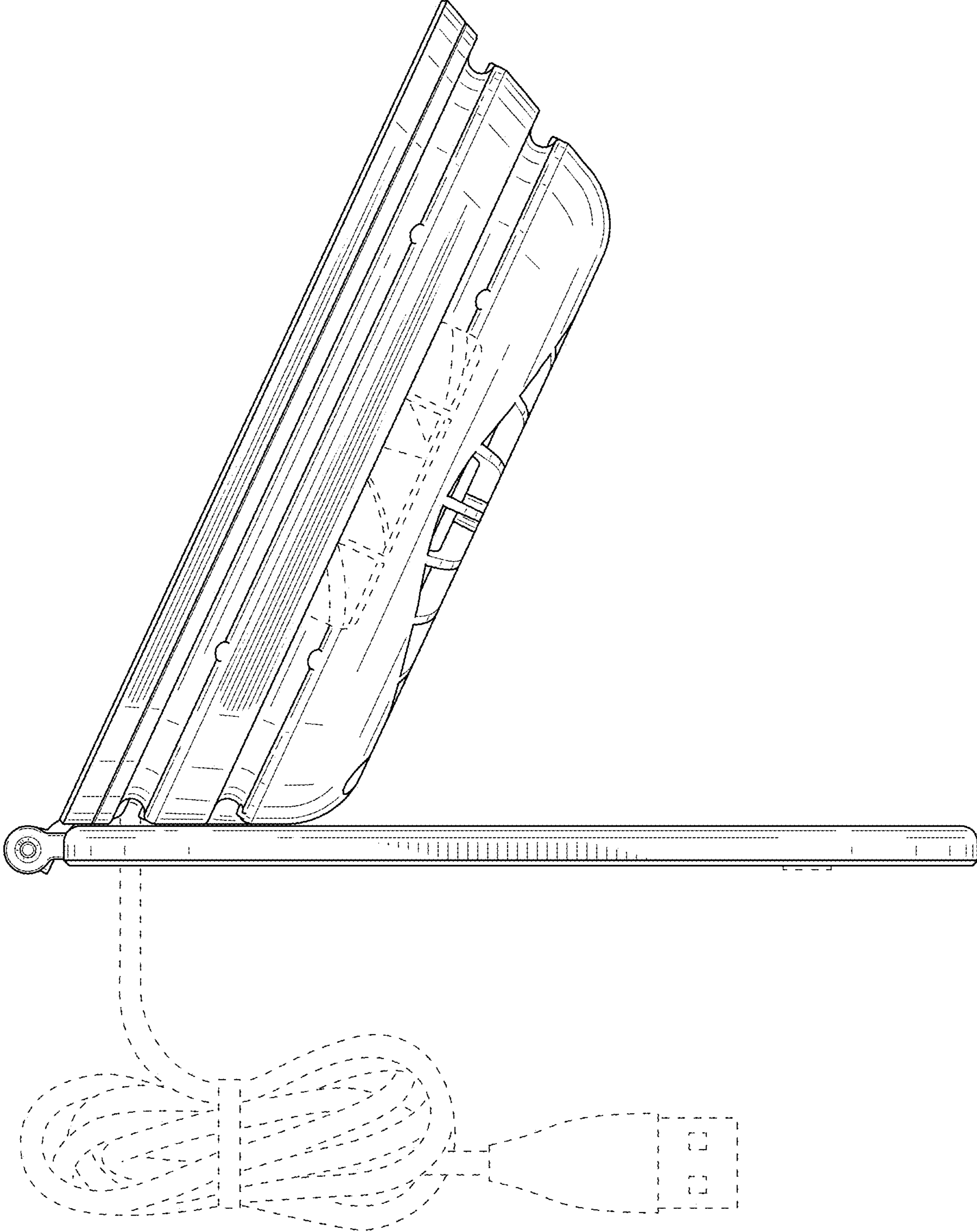


FIG. 4

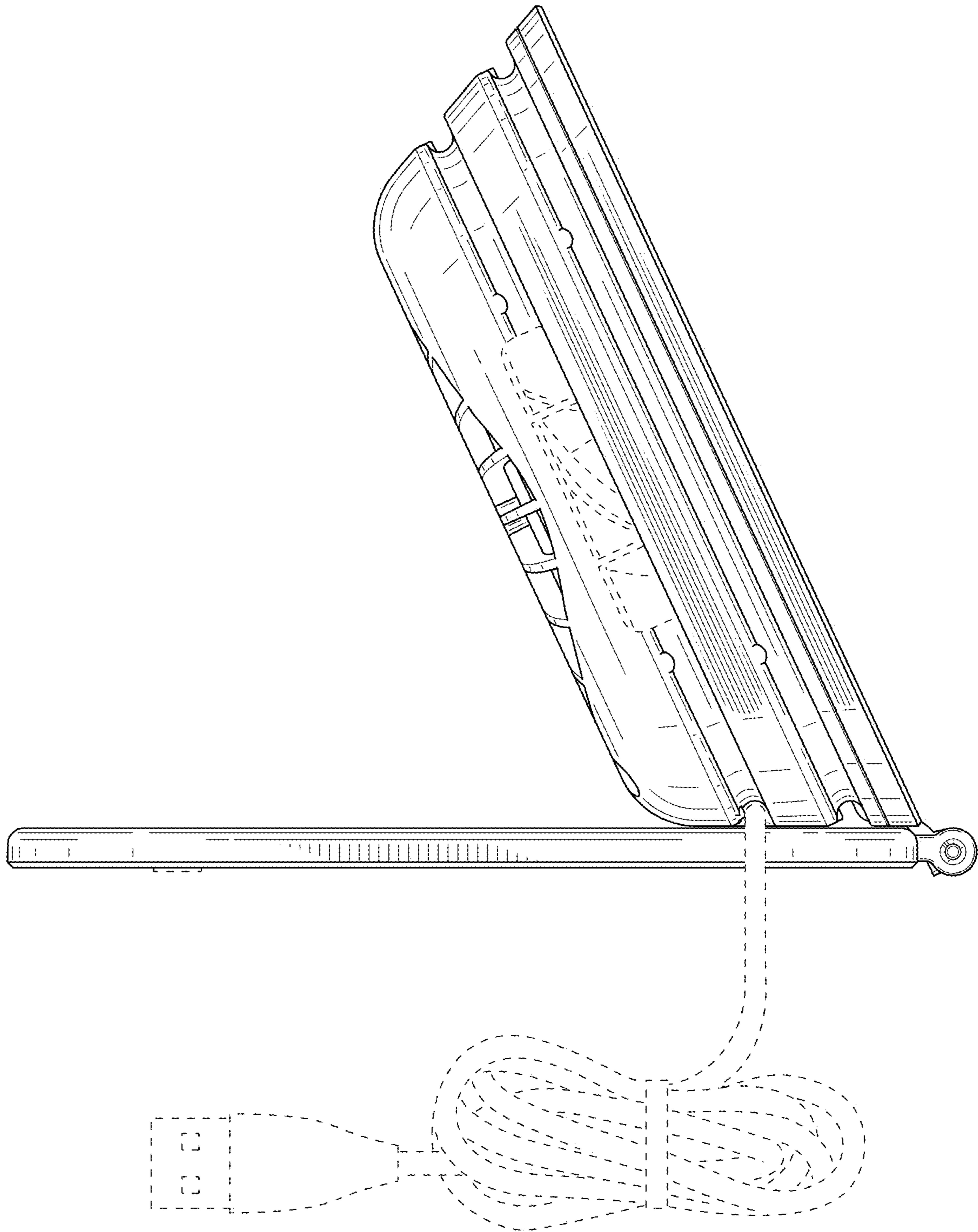


FIG. 5

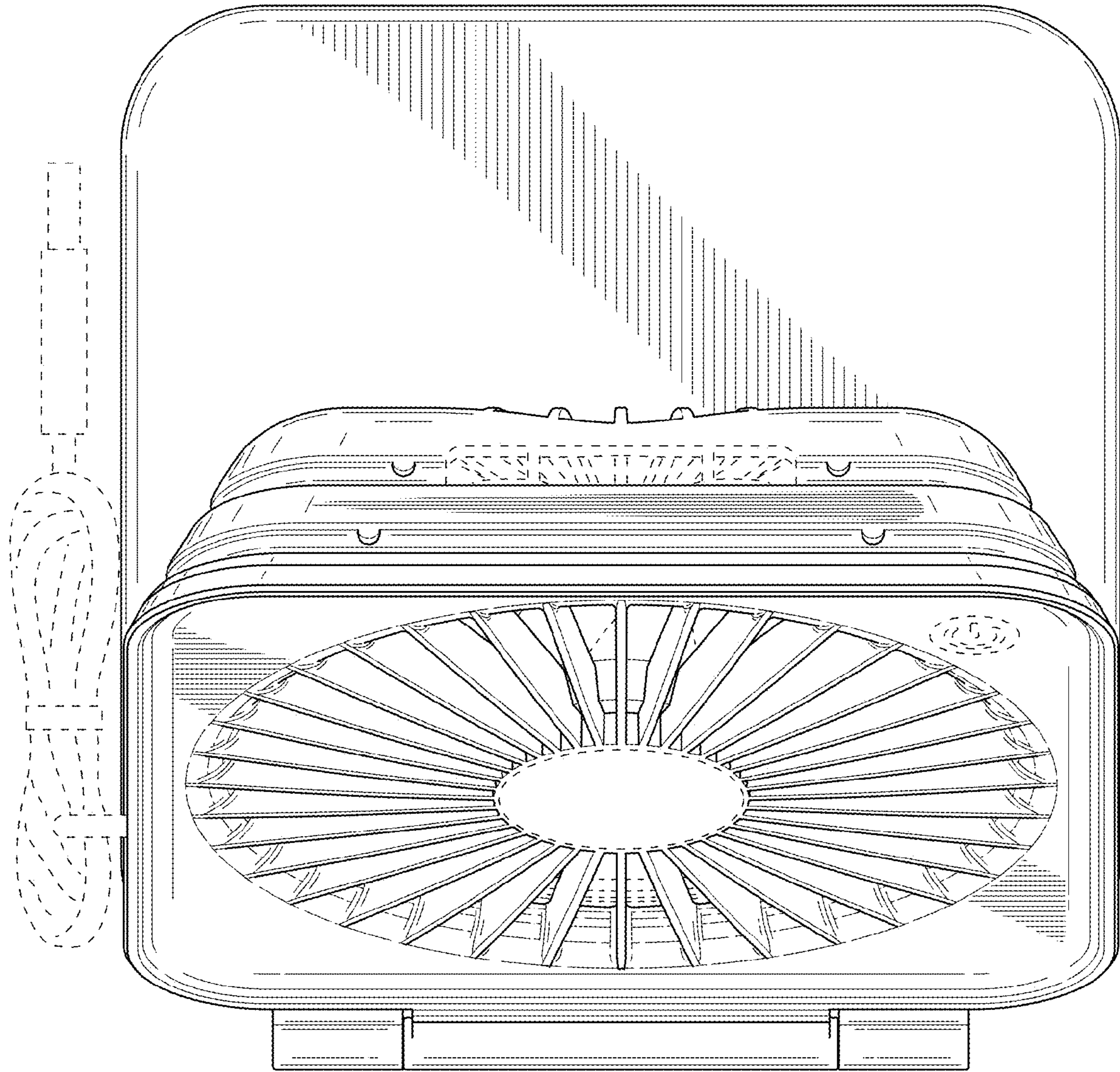


FIG. 6



FIG. 7