



US00D892292S

(12) **United States Design Patent** (10) **Patent No.:** **US D892,292 S**  
**Labrecque et al.** (45) **Date of Patent:** **\*\* Aug. 4, 2020**

(54) **ODOR CONTROLLING SUSPENSION**

(71) Applicant: **IPL INC.**, St-Damien (CA)

(72) Inventors: **Jean-Gabriel Labrecque**,  
St-Damien-de-Buckland (CA); **Yvan Marcoux**,  
St-Joseph-de-Beauce (CA)

(73) Assignee: **IPL INC.** (CA)

(\*\*) Term: **15 Years**

(21) Appl. No.: **29/683,550**

(22) Filed: **Mar. 14, 2019**

(51) **LOC (12) Cl.** ..... **23-04**

(52) **U.S. Cl.**  
USPC ..... **D23/368**

(58) **Field of Classification Search**

USPC ..... D23/201, 208, 355-369, 386; D9/416,  
D9/425, 428; D11/3, 7, 9, 10; D28/8.1  
CPC ..... A61L 9/02; A61L 9/03; A61L 9/12; A61L  
9/035; A61L 9/125; A61L 2209/131  
See application file for complete search history.

(56) **References Cited**

**U.S. PATENT DOCUMENTS**

D11,365 S *	8/1879	Proctor	.....	D28/8.1
D260,301 S *	8/1981	O'Connor	.....	D28/8.1
D269,127 S *	5/1983	Christianson	.....	D28/8.1
4,802,626 A	2/1989	Forbes et al.		
D587,400 S *	2/2009	Yatsko	.....	D28/8.1
D802,840 S *	11/2017	Donald	.....	D28/8.1
D841,236 S *	2/2019	Zuckerman	.....	D28/8.1

**OTHER PUBLICATIONS**

Soap-on-a-rope.com, Wild Country Soap-on-a-rope, online product page copyright dated 2014, retrieved May 19, 2020 from <URL: 29683550> (Year: 2014).\*

Amazon.com, Aromagood Hanging Odor Neutralizing Car Fragrance Air Freshener, undated online product page, retrieved May 19, 2020 from <URL:https://www.amazon.com/Aromagood-Neutralizing-Fragrance-Freshener-Assorted/dp/B07Q7XGRM2?th=1> (Year: 2020).\*  
Actalys—Traeatment and odor removal, http://www.actalys.eu/uk/traitement-des-odeurs.html, Jan. 23, 2018.  
Air Wick Stick Ups Air Freshener—2-in-1, https://www.dealdeck.com/deals/air-wick-stick-ups-air-freshener-2-in-1, Jan. 23, 2018.  
Ecozone Toilet Smell Killer Register Interest, https://www.buymythings.com.au/productdisplay/ecozone-toilet-smell-killer, Jan. 23, 2018.  
Febreze stick and refresh, https://www.amazon.ca/s/(ie=UTF8&keywords=febreze+stick+and+refresh&tag=googca, Jan. 23, 2018.

(Continued)

*Primary Examiner* — Sheryl Lane

*Assistant Examiner* — Calvin E Vansant

(74) *Attorney, Agent, or Firm* — Lavery, De Billy, LLP;  
Gwendoline Bruneau

(57) **CLAIM**

The ornamental design for an odor controlling suspension, as shown and described.

**DESCRIPTION**

FIG. 1 is a perspective view of an odor controlling suspension, showing the new design in an environment in broken lines;

FIG. 2 is a front view thereof;

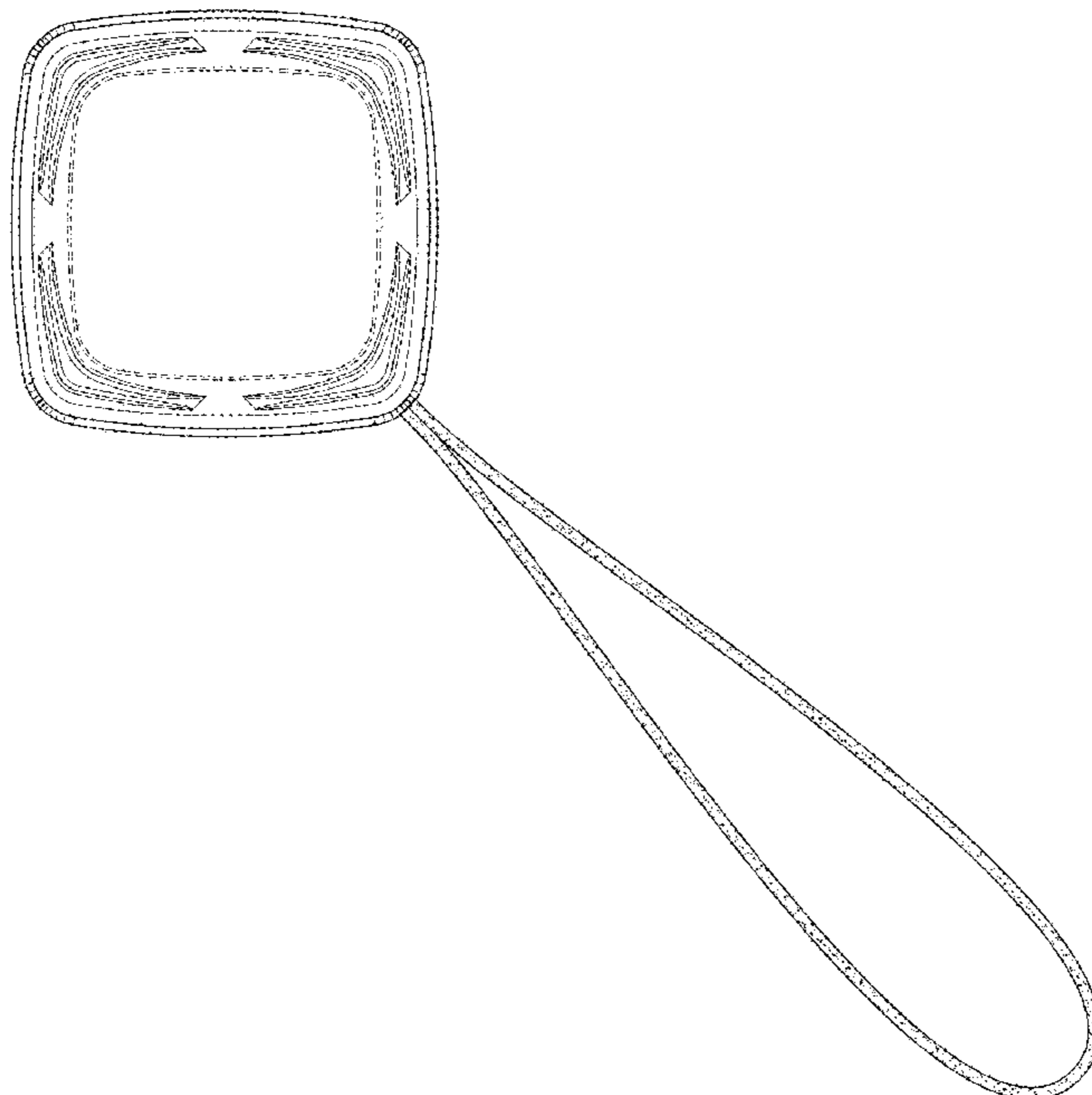
FIG. 3 is a rear view thereof;

FIG. 4 is a first side view thereof; and,

FIG. 5 is a second side view thereof.

The broken lines shown in the figures are included for the purpose of illustrating portions of the odor controlling suspension and do not form part of the claimed design.

**1 Claim, 4 Drawing Sheets**



(56)

**References Cited**

OTHER PUBLICATIONS

Gonzo 4142 Garbage Odor Eliminator, <https://www.amazon.ca/magic-natural-garbage-eleminator-ounce/dp/B0073VPH5M>, Jan. 23, 2018.

Smoke Odor Eliminator, Febreze Car, <https://www.febreze.com/en-us/products/car-air-fresheners-smoke-odor-eliminator>, Jan. 23, 2018.

Tired of your home smelling like smoke? (OdoBan in Canada)—YouTube, [https://www.youtube.com/embed/rG\\_41J\\_9NCI?feature=oembed&wmode=opaque](https://www.youtube.com/embed/rG_41J_9NCI?feature=oembed&wmode=opaque), Jan. 23, 2018.

Toter Launches New Line of Trash Cart Accessories for Consumers, <http://www.prweb.com/releases/2017/02/prweb14025090.htm>, Jan. 23, 2018.

X-o odor neutralizer, <https://www.amazon.ca/s/?ie=UTF8&keywords=x-o+odor+neutralizer&tag=googcana-20>, Jan. 23, 2018.

ZEP 16 oz. Garbage Odor Eliminator-ZUGOE1, The Home Depot, <https://www.homedepot.com/p/ZEP-16-oz-Garbage-Oder-Eliminator-ZUGOE1/203487361>, Jan. 23, 2018.

\* cited by examiner

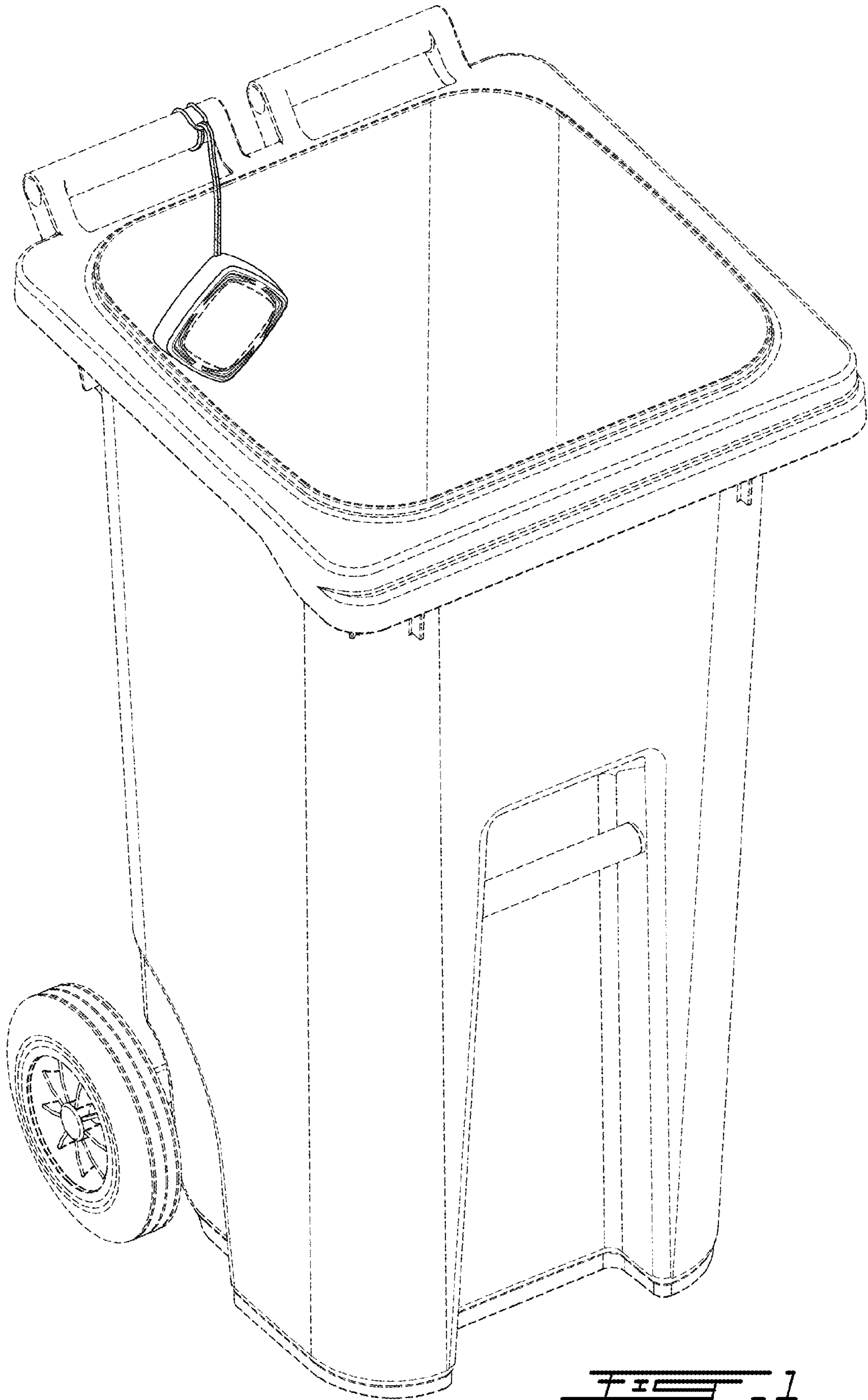


FIG. 1

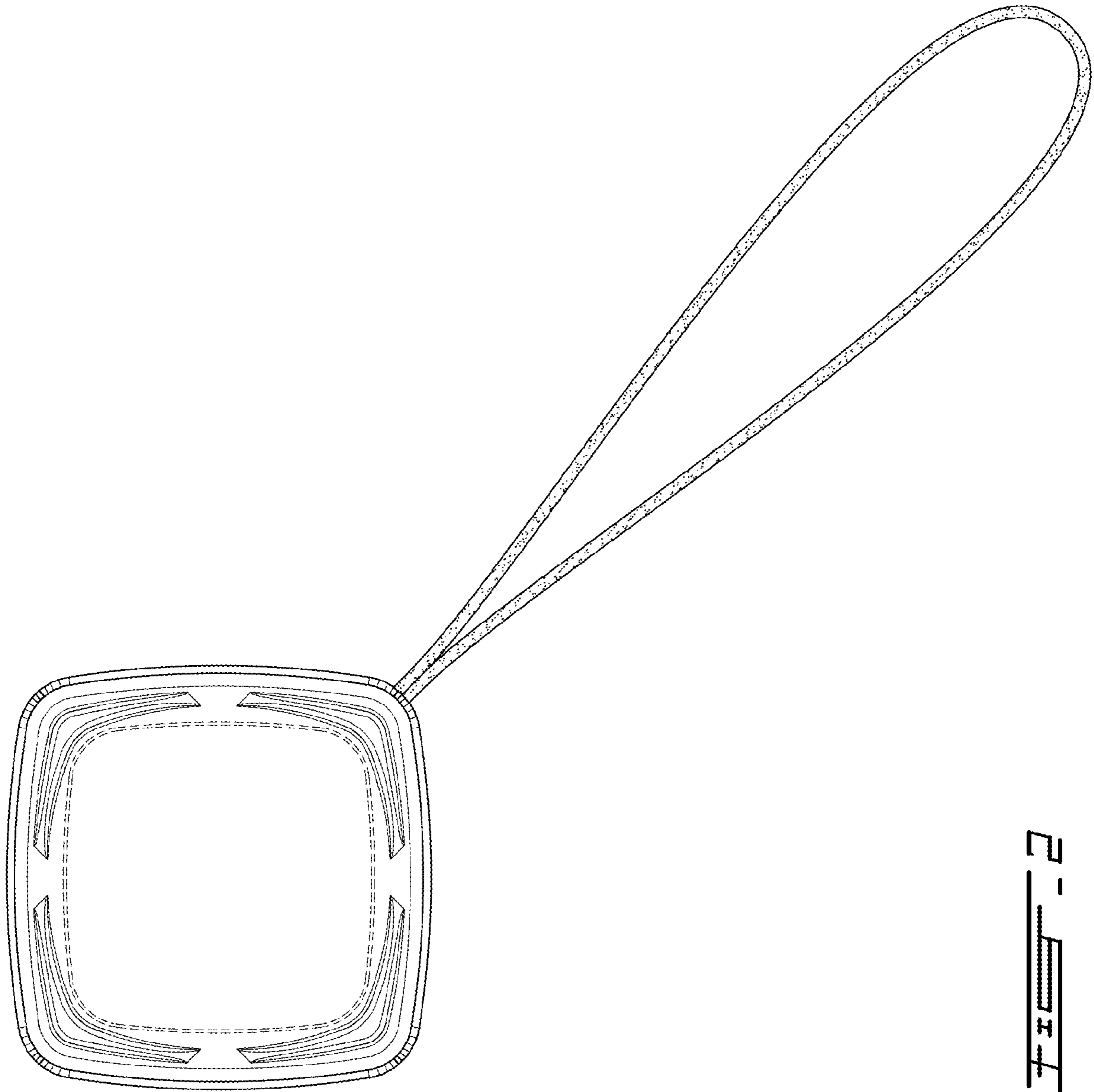
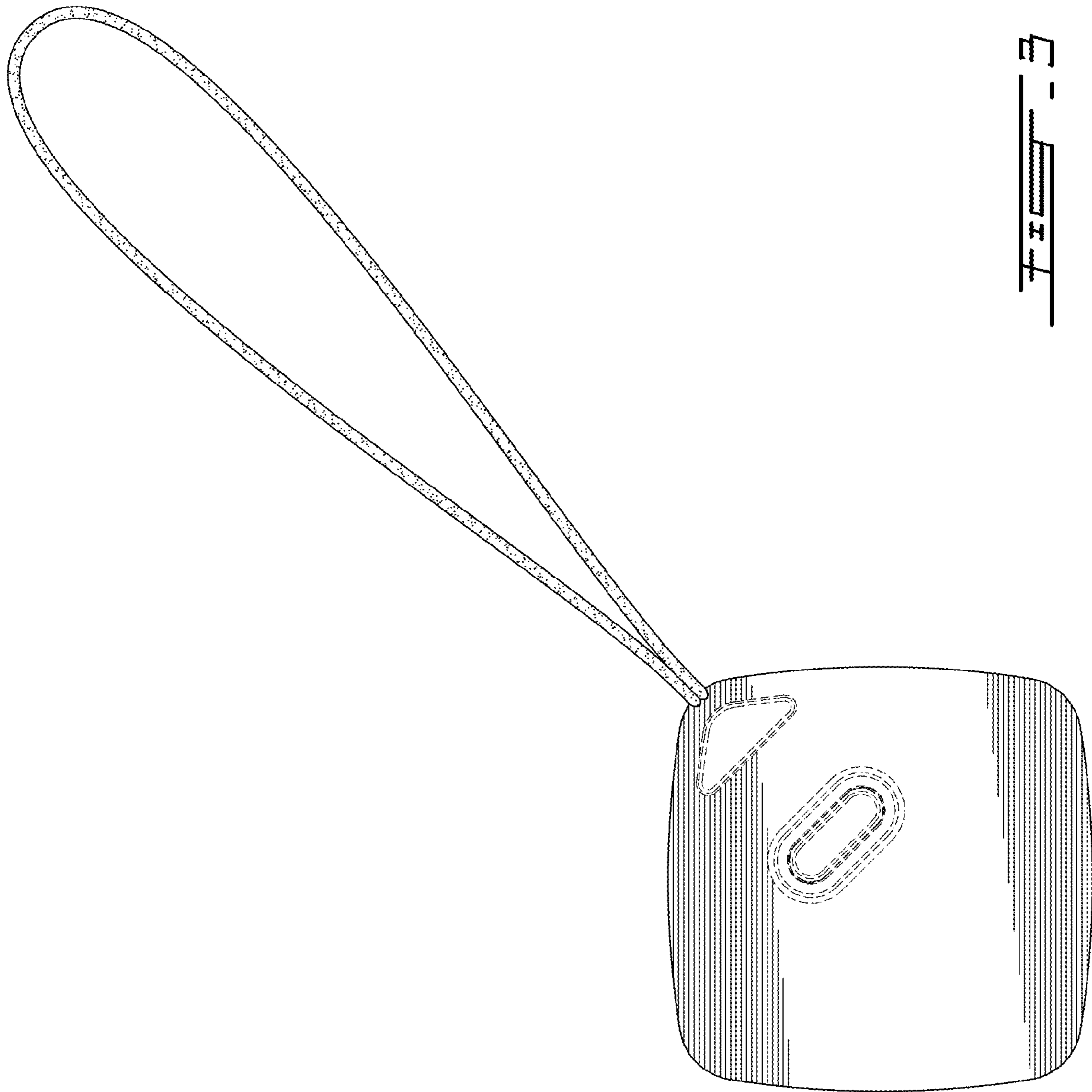


FIG. 2





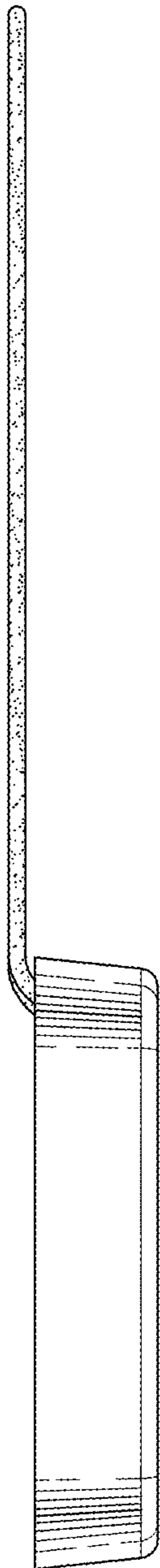


FIG. 4

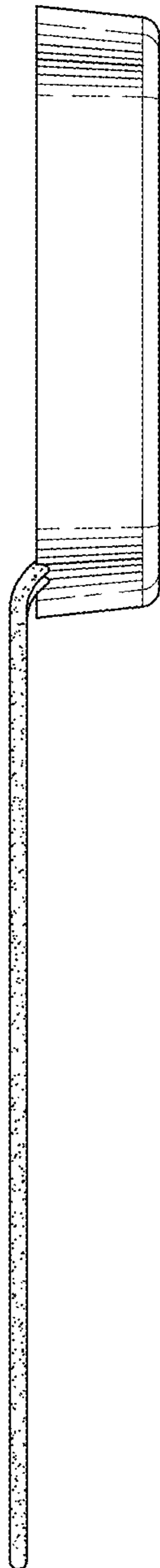


FIG. 5