



US00D892291S

(12) **United States Design Patent** (10) **Patent No.:** **US D892,291 S**
Jennings et al. (45) **Date of Patent:** **** Aug. 4, 2020**

(54) **AIR PURIFIER**

(56) **References Cited**

(71) Applicant: **Dyson Technology Limited**, Wiltshire (GB)

U.S. PATENT DOCUMENTS

(72) Inventors: **Matthew Jerome Jennings**, Bristol (GB); **James Mackey Nelson**, Gloucester (GB); **Benjamin James Michael Jones**, Gloucester (GB)

| | | | | |
|--------------|---------|--------------|-------|------------|
| D455,481 S * | 4/2002 | Christianson | | D23/351 |
| D547,500 S * | 7/2007 | Karrman | | A61F 11/14 |
| | | | | D29/112 |
| D553,803 S * | 10/2007 | Keen | | D29/112 |
| D668,392 S * | 10/2012 | Carlborg | | A61F 11/14 |
| | | | | D29/112 |
| D711,348 S * | 8/2014 | Yang | | D14/205 |
| D738,995 S * | 9/2015 | Shapiro | | D23/314 |
| D741,020 S * | 10/2015 | Fountain | | D29/109 |
| D747,696 S * | 1/2016 | Hardi | | D14/205 |
| D777,890 S * | 1/2017 | Hsiao | | D23/333 |
| D780,899 S * | 3/2017 | Hsiao | | D23/333 |
| D845,271 S * | 4/2019 | Lu | | D14/205 |
| D879,065 S * | 3/2020 | Chan | | D14/205 |
| D879,066 S * | 3/2020 | Chen | | D14/205 |

(73) Assignee: **Dyson Technology Limited**, Malmesbury, Wiltshire (GB)

(**) Term: **15 Years**

(21) Appl. No.: **29/692,496**

(22) Filed: **May 24, 2019**

* cited by examiner

(30) **Foreign Application Priority Data**

Primary Examiner — David G Muller
(74) *Attorney, Agent, or Firm* — Morrison & Foerster LLP

Nov. 29, 2018 (EM) 005838448-0001

(51) **LOC (12) Cl.** **23-04**

(57) **CLAIM**

(52) **U.S. Cl.**
USPC **D23/364**

We claim the ornamental design for an air purifier, as shown and described.

(58) **Field of Classification Search**

DESCRIPTION

USPC D23/355-366, 352, 369, 332, 333, 335, D23/336, 342, 351; 422/120, 122; 55/356, 473, 504; 96/97; 261/DIG. 17, 261/DIG. 65, DIG. 88, DIG. 31; D29/112; D14/205, 206
CPC .. A61L 9/16; A61L 9/22; B01D 47/00; B01D 47/027; B01D 2221/02; B01D 2259/4508; B03C 3/155; B03C 3/368; F24F 3/16; F24F 13/20; F24F 13/28; F24F 2001/0096

FIG. 1 is a front perspective view of an air purifier showing our new design;
FIG. 2 is a front view thereof;
FIG. 3 is a rear view thereof;
FIG. 4 is a side view thereof;
FIG. 5 is a side view of the opposite side of FIG. 4;
FIG. 6 is a top view thereof; and,
FIG. 7 is a bottom view thereof.

See application file for complete search history.

1 Claim, 7 Drawing Sheets





FIG. 1

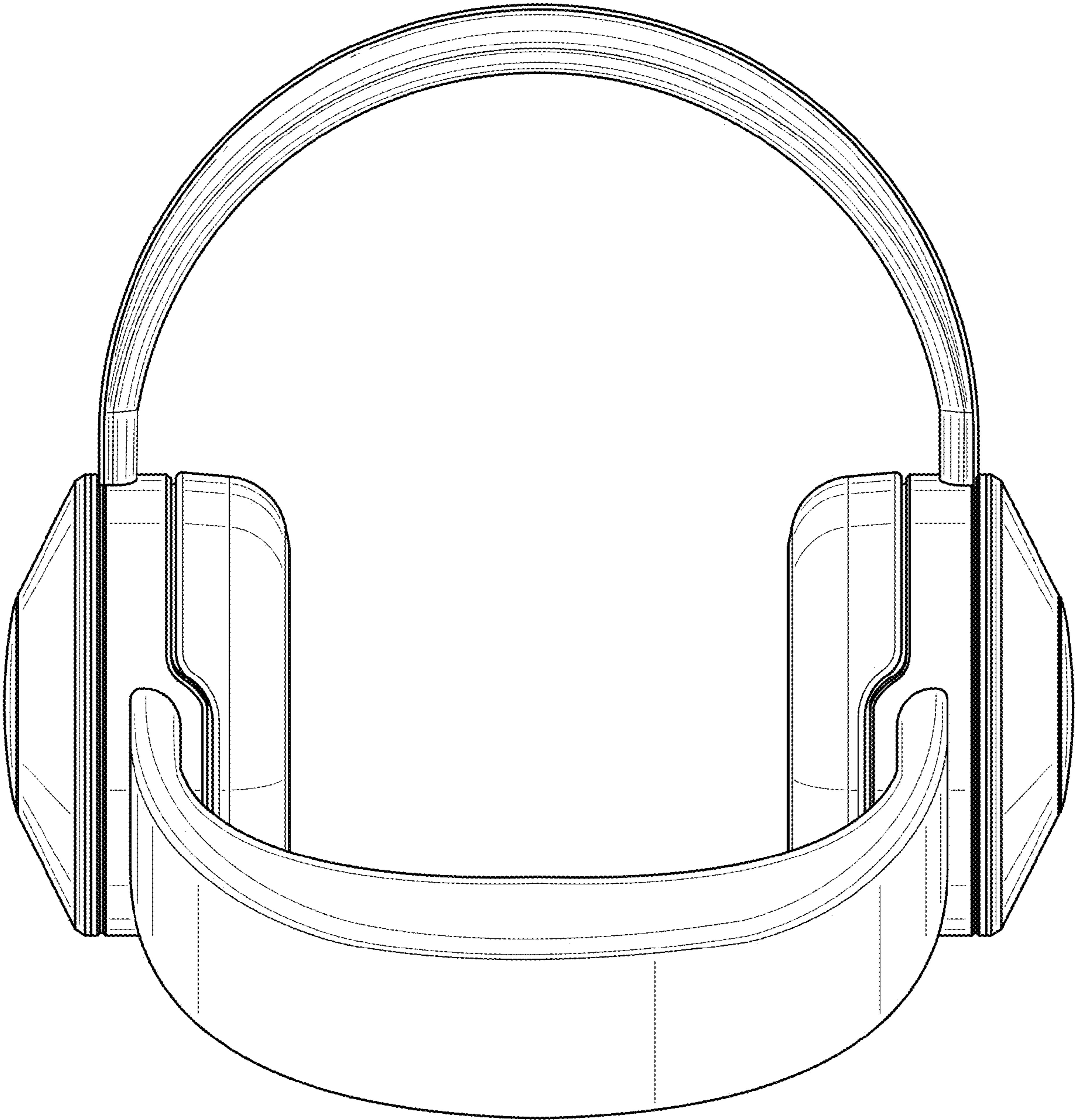


FIG. 2

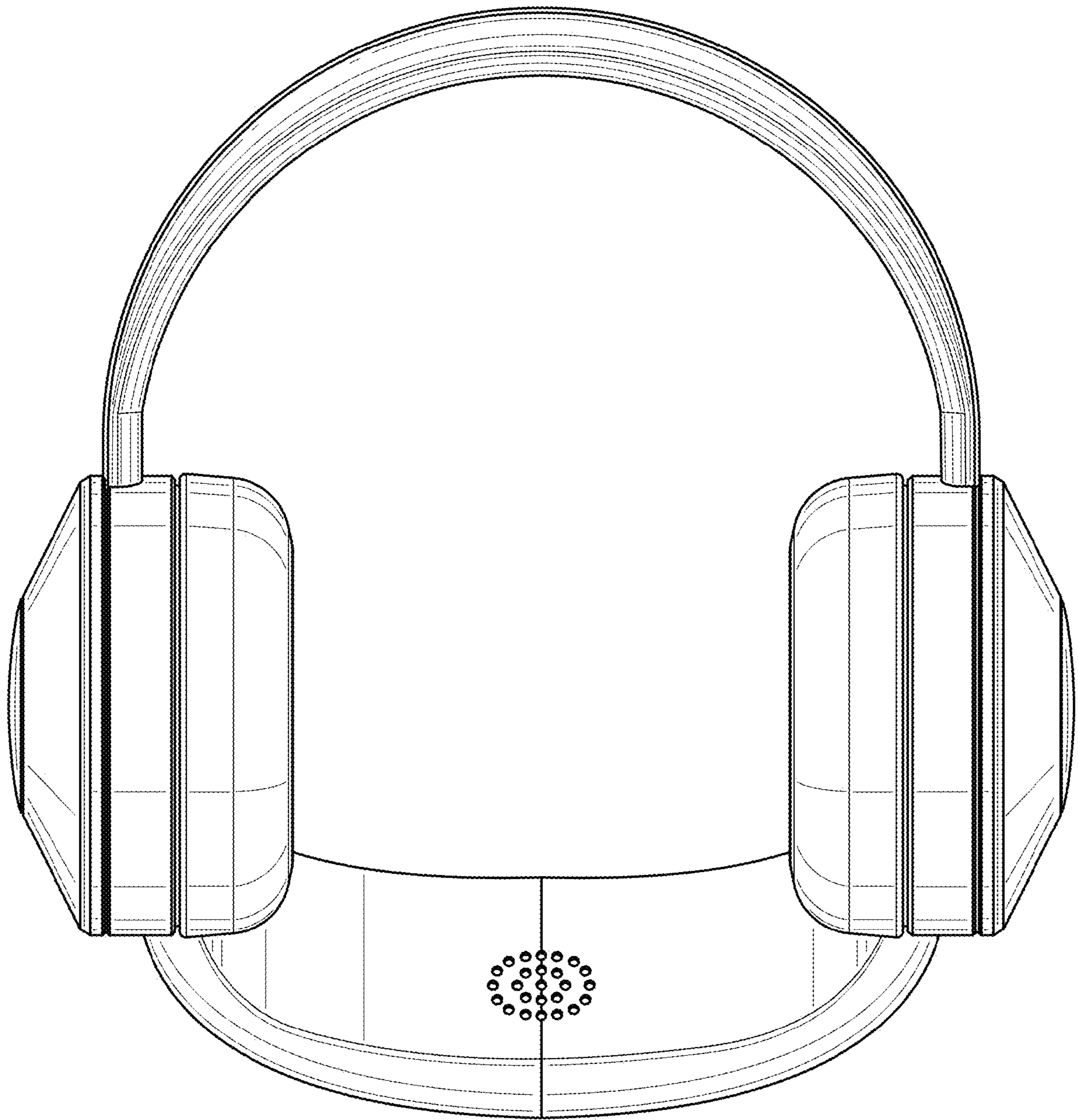


FIG. 3

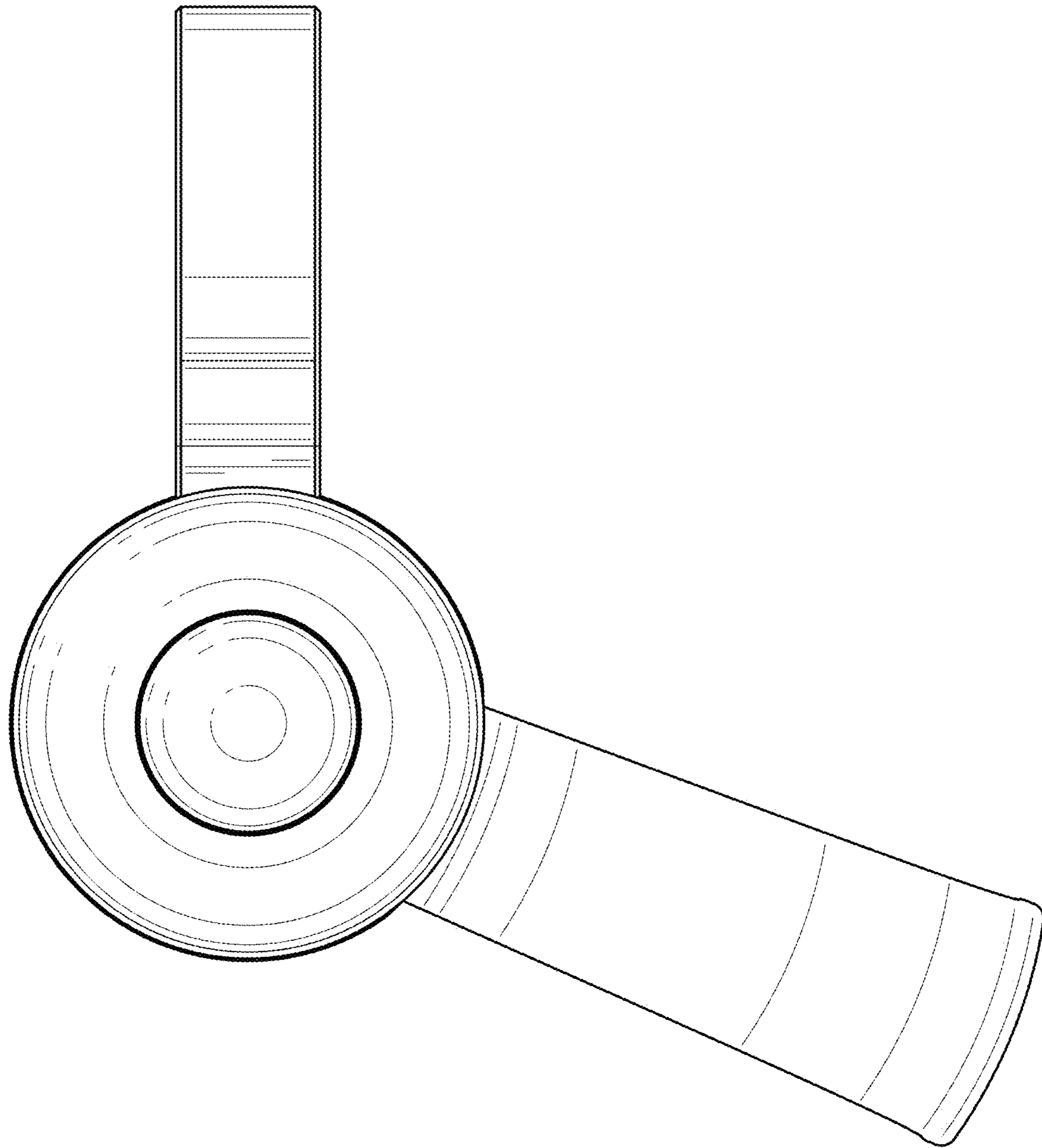


FIG. 4

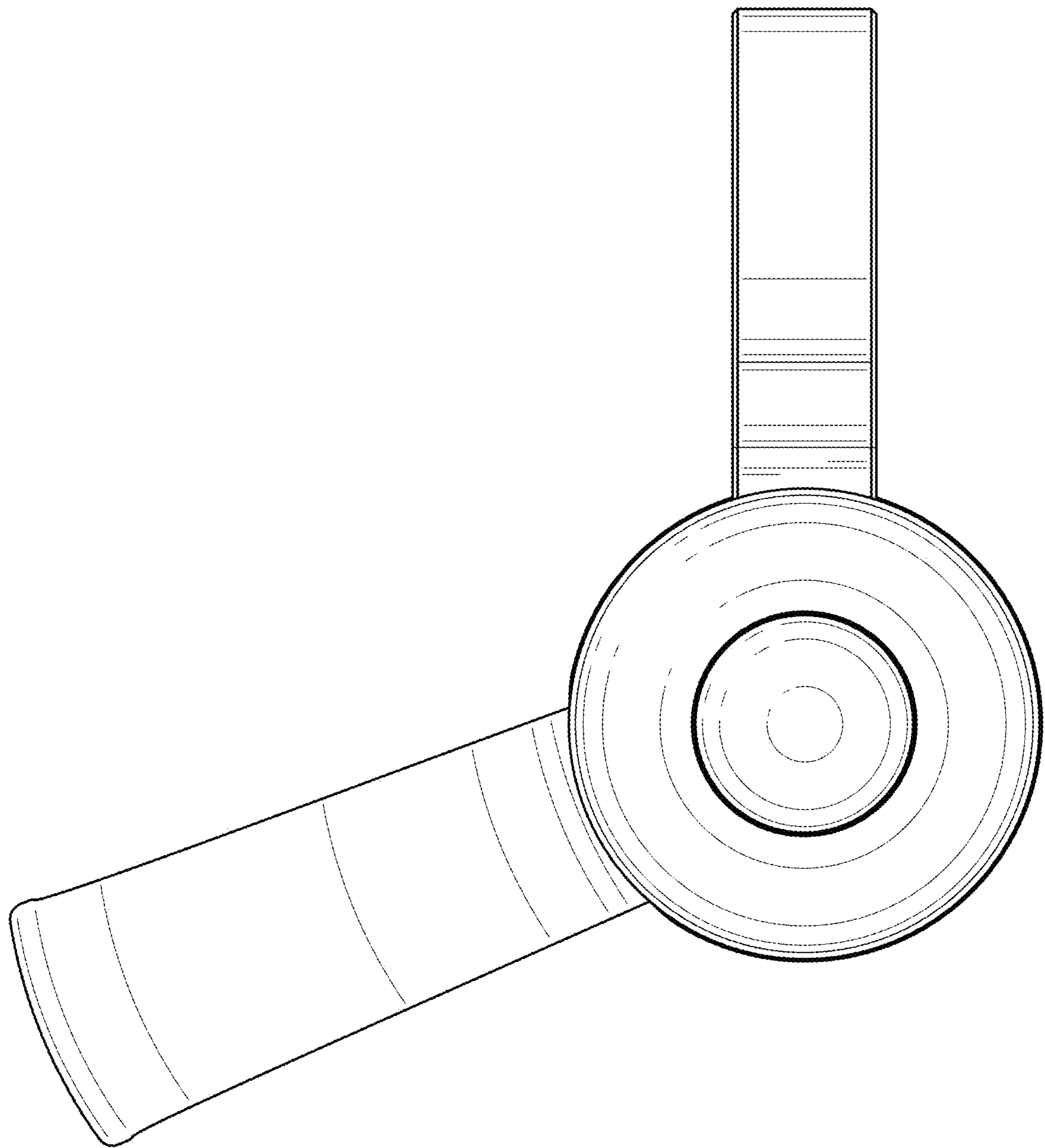


FIG. 5

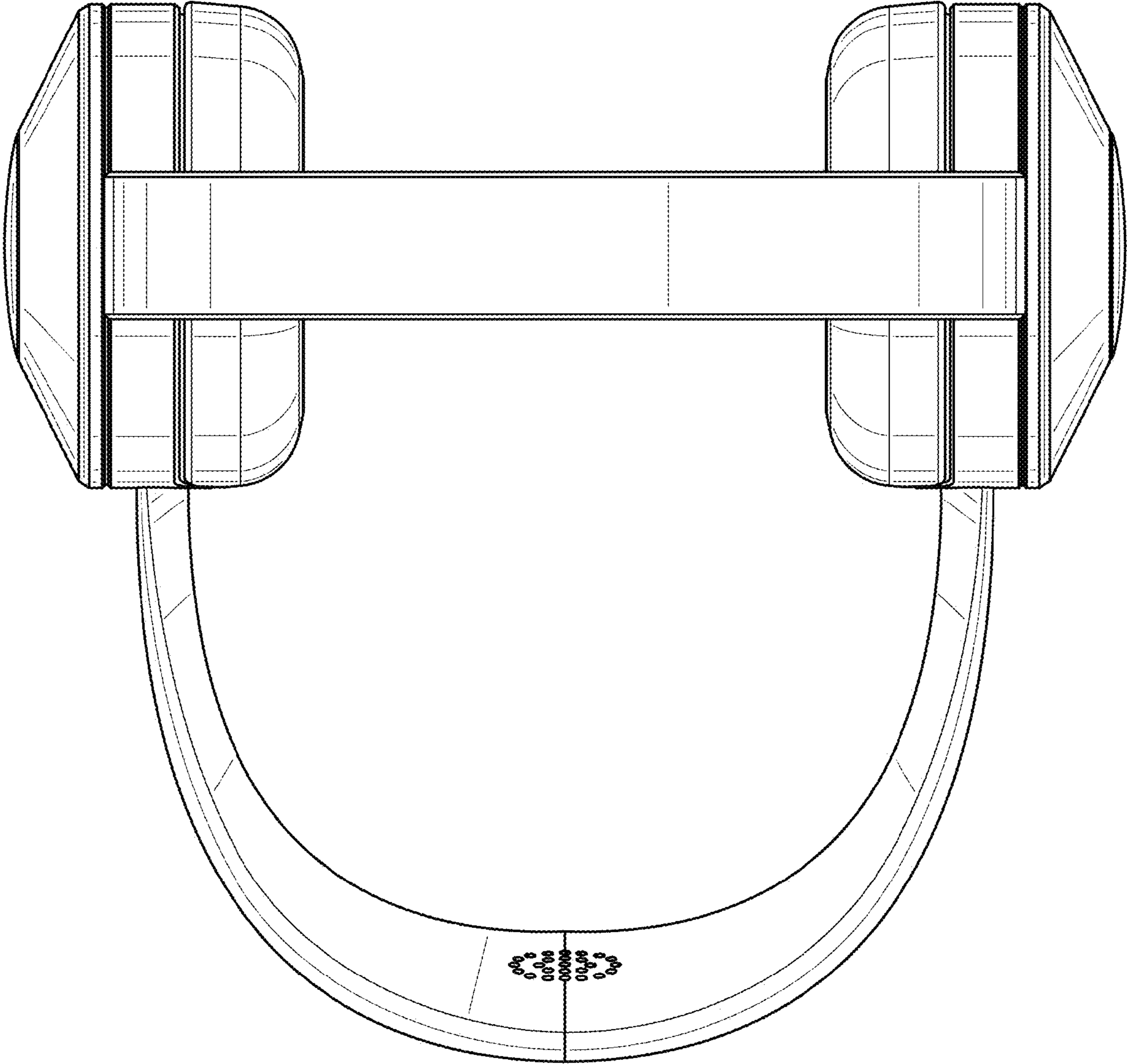


FIG. 6

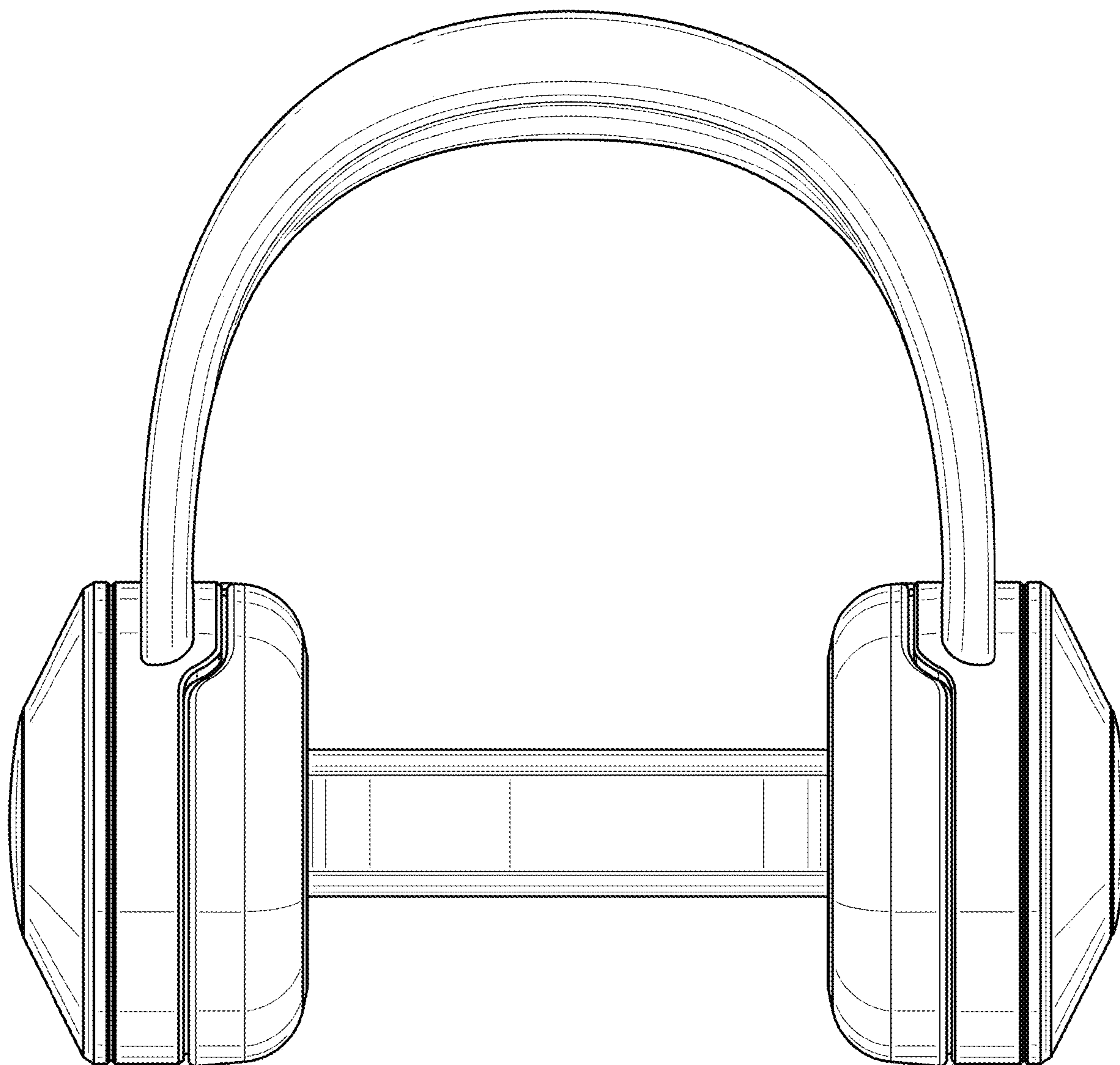


FIG. 7