



US00D892290S

(12) **United States Design Patent** (10) **Patent No.:** **US D892,290 S**  
**Prat-Pfister** (45) **Date of Patent:** **\*\* Aug. 4, 2020**

- (54) **FACIAL STEAMER**
- (71) Applicant: **KONINKLIJKE PHILIPS N.V.**,  
Eindhoven (NL)
- (72) Inventor: **Gaël Louis Jacques Prat-Pfister**,  
Eindhoven (NL)
- (73) Assignee: **KONINKLIJKE PHILIPS N.V.**,  
Eindhoven (NL)
- (\*\*) Term: **15 Years**
- (21) Appl. No.: **29/644,500**
- (22) Filed: **Apr. 18, 2018**
- (51) **LOC (12) Cl.** ..... **23-04**
- (52) **U.S. Cl.**  
USPC ..... **D23/364**
- (58) **Field of Classification Search**  
USPC ..... D23/355–366, 352, 369, 332, 333, 335,  
D23/336, 342, 351; 422/120, 122;  
55/356, 473, 504; 96/971; 261/DIG. 17,  
261/DIG. 65, DIG. 88, DIG. 31  
CPC .. A61L 9/16; A61L 9/22; B01D 47/00; B01D  
47/027; B01D 2221/02; B01D 2259/4508;  
B03C 3/155; B03C 3/368; F24F 3/16;  
F24F 13/20  
See application file for complete search history.

D496,451 S *	9/2004	Julos .....	D23/355
D499,473 S *	12/2004	Ching .....	D23/332
D510,618 S *	10/2005	Dooley .....	D23/335
D533,650 S *	12/2006	Ohta .....	D23/360
D549,313 S *	8/2007	Kelnhofer .....	D23/360
D551,329 S *	9/2007	Cheng .....	D23/364
D551,330 S *	9/2007	Paterson .....	D23/364
D561,318 S *	2/2008	Naksen .....	D23/366
D595,829 S *	7/2009	Drucker .....	D23/366
D597,646 S *	8/2009	Chapman .....	D23/366
2008/0006158 A1 *	1/2008	Kiern .....	A61L 9/014 96/417

\* cited by examiner

*Primary Examiner* — David G Muller

- (56) **References Cited**
- U.S. PATENT DOCUMENTS
- D433,494 S \* 11/2000 Pinchuk ..... D23/364  
D464,415 S \* 10/2002 Saunders ..... D23/364

(57) **CLAIM**

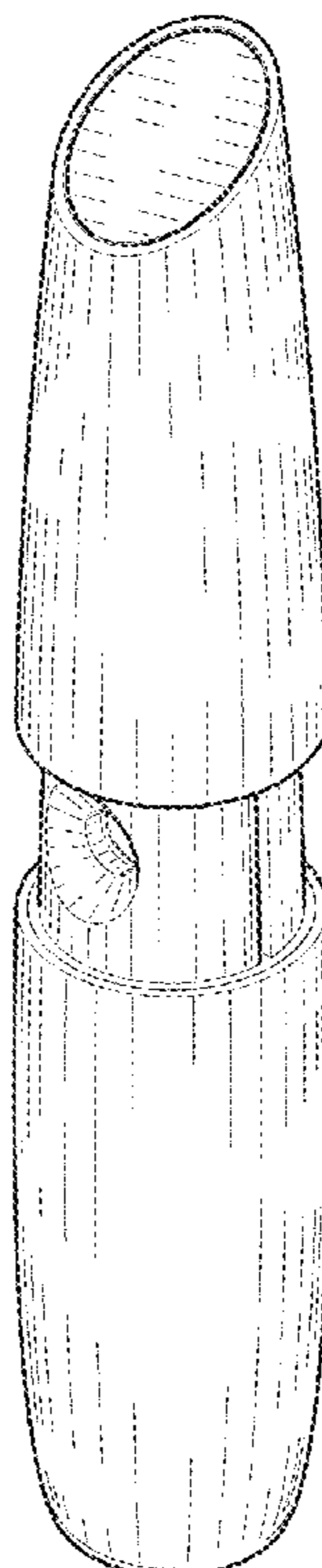
The ornamental design for a facial steamer, as shown and described.

**DESCRIPTION**

FIG. 1 is a perspective view showing my design;  
FIG. 2 is a front elevational view thereof;  
FIG. 3 is a rear elevational view thereof;  
FIG. 4 is a right side elevational view thereof;  
FIG. 5 is a left side elevational view thereof;  
FIG. 6 is a top plan view thereof; and,  
FIG. 7 is a bottom plan view thereof.

The portions of the facial steamer shown in broken lines form no part of the claimed design.

**1 Claim, 3 Drawing Sheets**



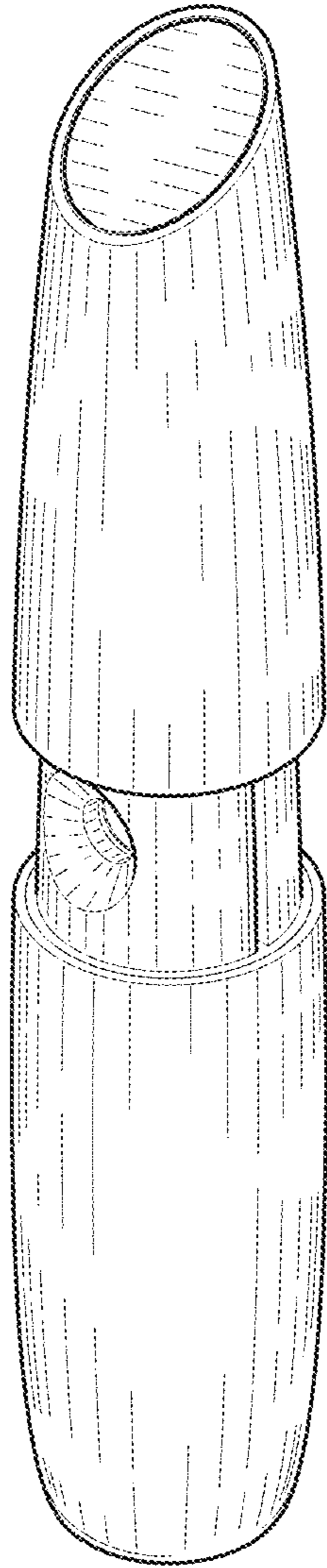


FIG. 1

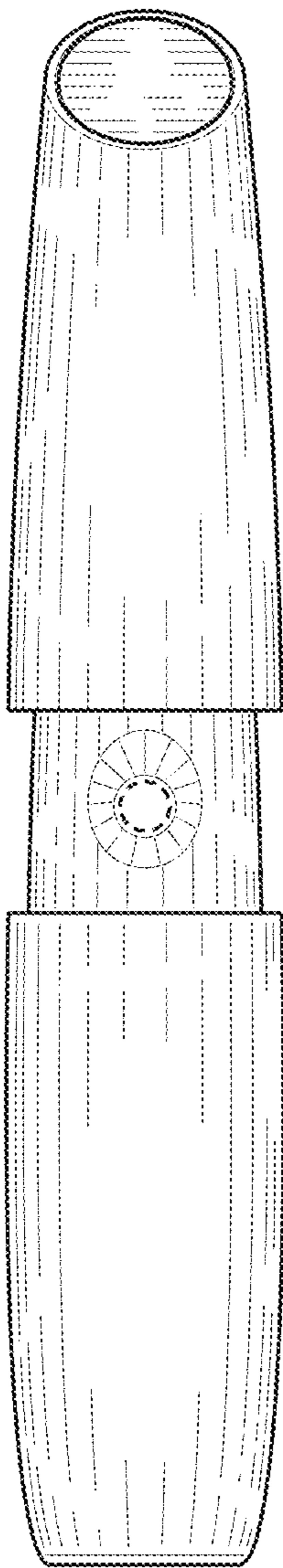


FIG. 2

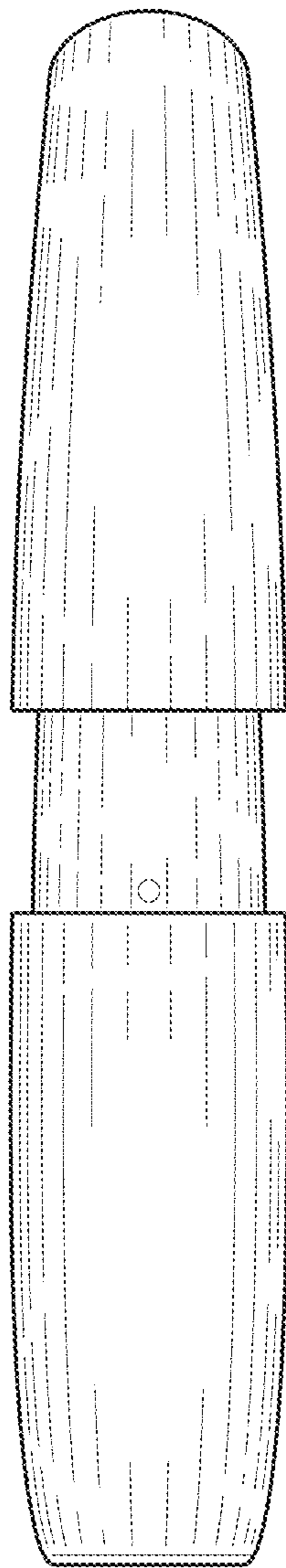


FIG. 3

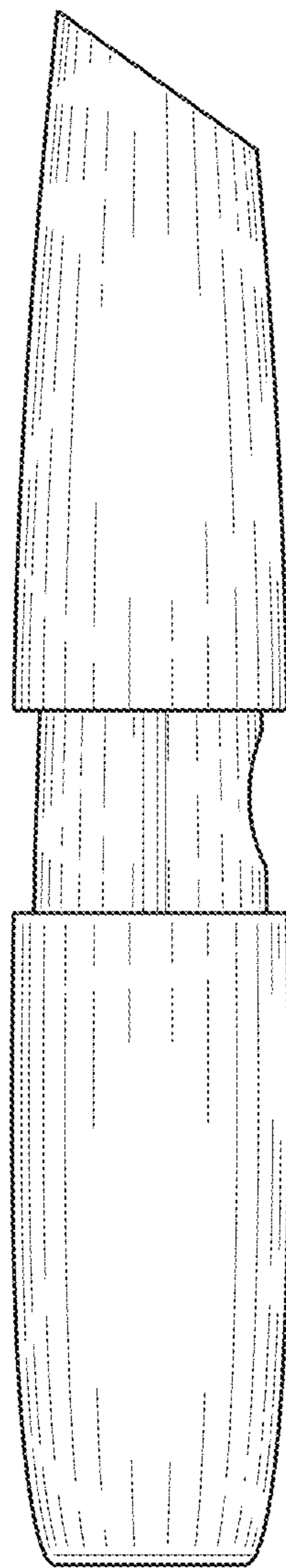


FIG. 4

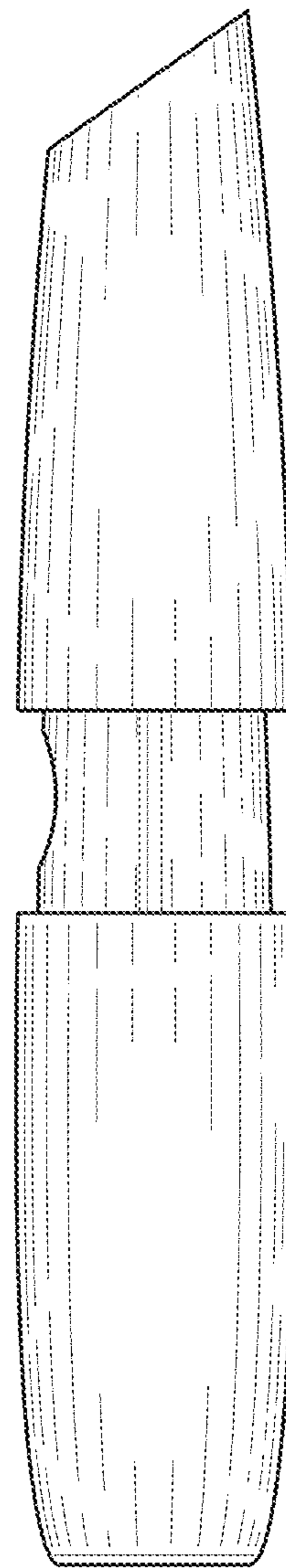


FIG. 5

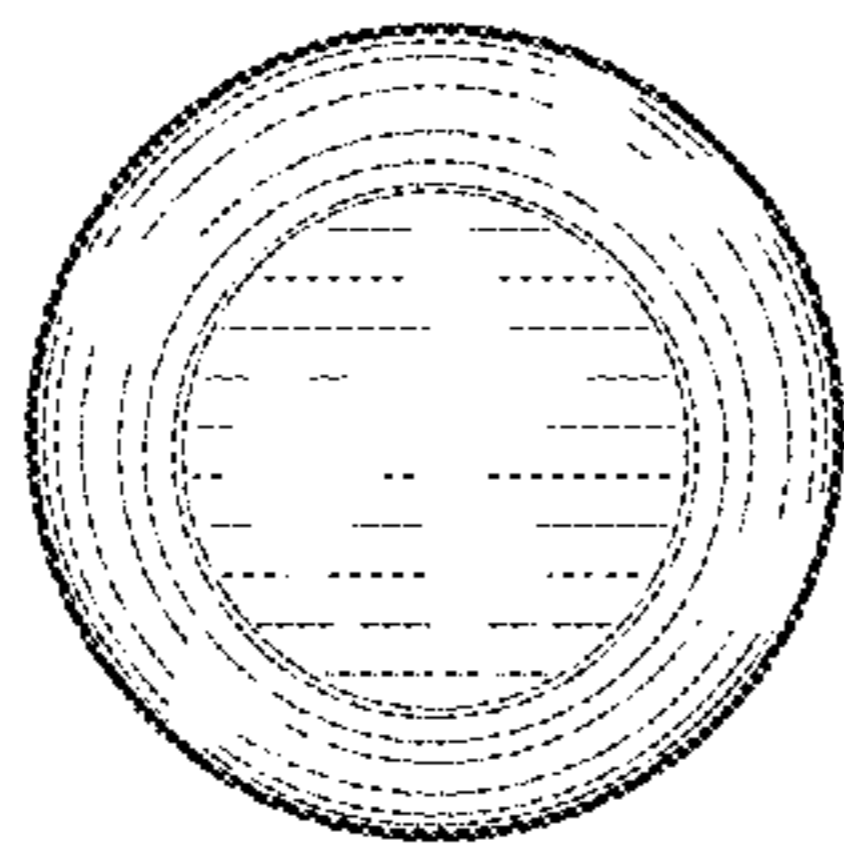


FIG. 6

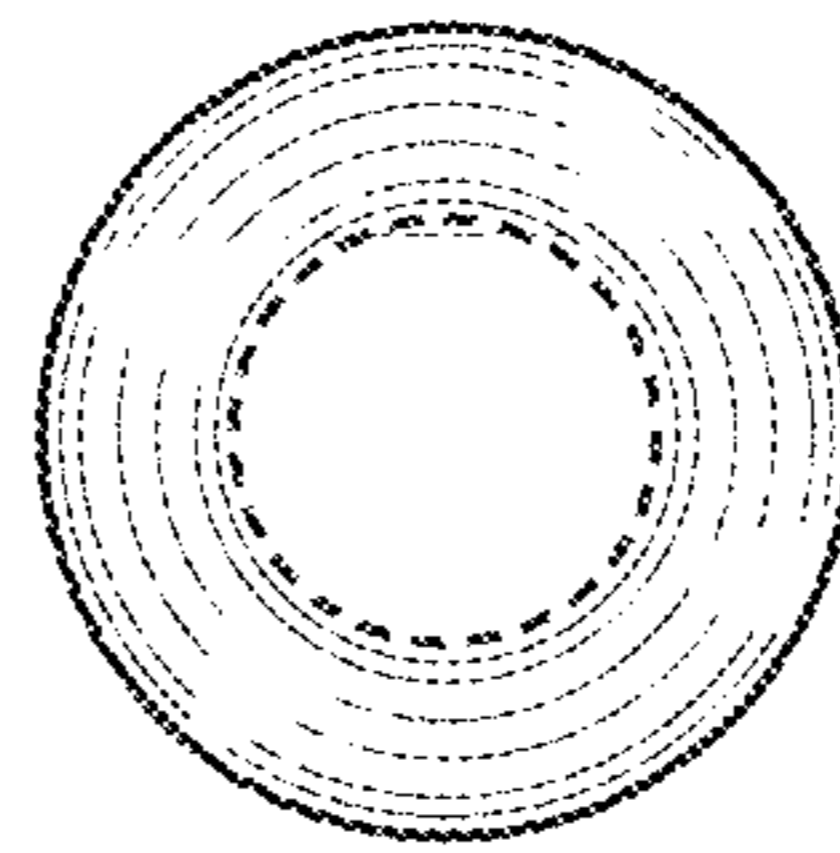


FIG. 7