



US00D892289S

(12) **United States Design Patent** (10) **Patent No.:** **US D892,289 S**
Baillie et al. (45) **Date of Patent:** **** Aug. 4, 2020**

(54) **TOP FILL EVAPORATIVE HUMIDIFIER**
(71) Applicant: **Canadian Tire Corporation, Limited,**
Toronto (CA)
(72) Inventors: **Brent Marc Baillie,** Toronto (CA);
Rishi Ramdass, Toronto (CA); **Wong**
Yue Fung, Tsuen Wan (HK)
(73) Assignee: **Canadian Tire Corporation, Limited,**
Toronto (CA)
(**) Term: **15 Years**
(21) Appl. No.: **29/673,912**
(22) Filed: **Dec. 18, 2018**

(30) **Foreign Application Priority Data**
Jun. 27, 2018 (CA) 182071
(51) **LOC (12) Cl.** **23-04**
(52) **U.S. Cl.**
USPC **D23/356**
(58) **Field of Classification Search**
USPC D23/355-366, 352, 369, 332, 333, 335,
D23/336, 342, 351; 422/120, 122;
55/356, 473, 504; 96/97; 261/DIG. 17,
261/DIG. 65, DIG. 88, DIG. 31
CPC .. A61L 9/16; A61L 9/22; B01D 47/00; B01D
47/027; B01D 2221/02; B01D 2259/4508;
B03C 3/155; B03C 3/368; F24F 3/16;
F24F 13/20; F24F 13/28
See application file for complete search history.

(56) **References Cited**
U.S. PATENT DOCUMENTS
D827,802 S * 9/2018 Chen D23/366
D831,811 S * 10/2018 Cho D23/364
D832,414 S * 10/2018 Sharma D23/364
D835,766 S * 12/2018 Chen D23/364

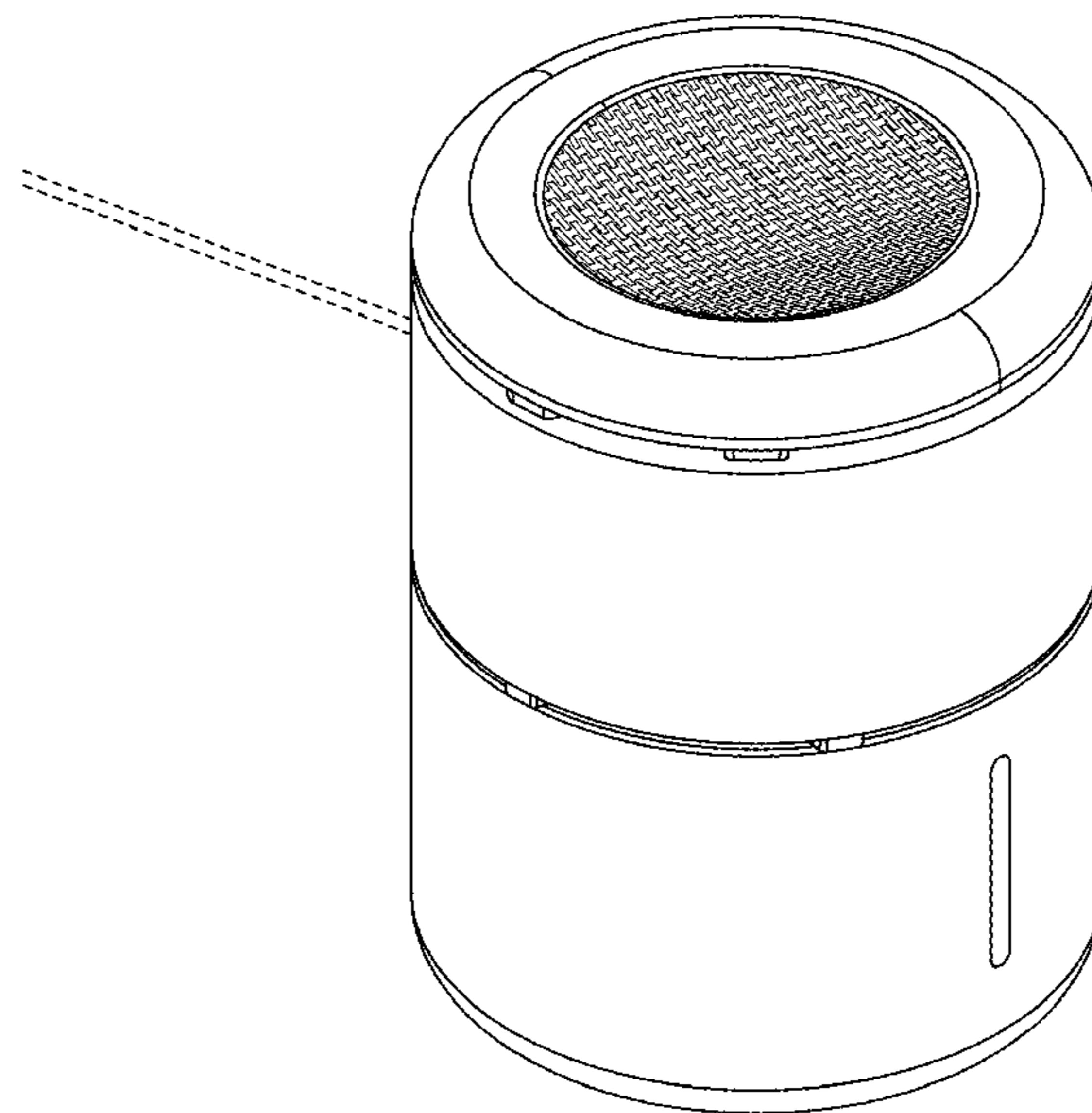
D836,760 S * 12/2018 Fredang D23/364
D837,354 S * 1/2019 Su D23/364
D838,825 S * 1/2019 Sullivan D23/366
D845,456 S * 4/2019 Swanson D23/359
D847,323 S * 4/2019 Gan D23/356
D850,596 S * 6/2019 Wu D23/366
D854,134 S * 7/2019 Jessup D23/364
D855,787 S * 8/2019 Sakamoto D23/370
D865,149 S * 10/2019 Lin D23/364

* cited by examiner
Primary Examiner — David G Muller
(74) *Attorney, Agent, or Firm* — Alston & Bird LLP

(57) **CLAIM**
The ornamental design for a top fill evaporative humidifier,
as shown and described.

DESCRIPTION
FIG. 1 is a front elevation view of a top fill evaporative humidifier according to an exemplary embodiment of the present design.
FIG. 2 is a rear elevation view of the top fill evaporative humidifier of FIG. 1.
FIG. 3 is a left side view of the top fill evaporative humidifier of FIG. 1.
FIG. 4 is a right side view of the top fill evaporative humidifier of FIG. 1.
FIG. 5 a top plan view of the top fill evaporative humidifier of FIG. 1.
FIG. 6 is a bottom plan view of the top fill evaporative humidifier of FIG. 1.
FIG. 7 is a top front perspective view of the top fill evaporative humidifier of FIG. 1; and,
FIG. 8 is a top rear perspective view of the top fill evaporative humidifier of FIG. 1.
The broken line showing of parts of the drawings is included for the purpose of illustrating use and environment and forms no part of the claimed design.

1 Claim, 8 Drawing Sheets



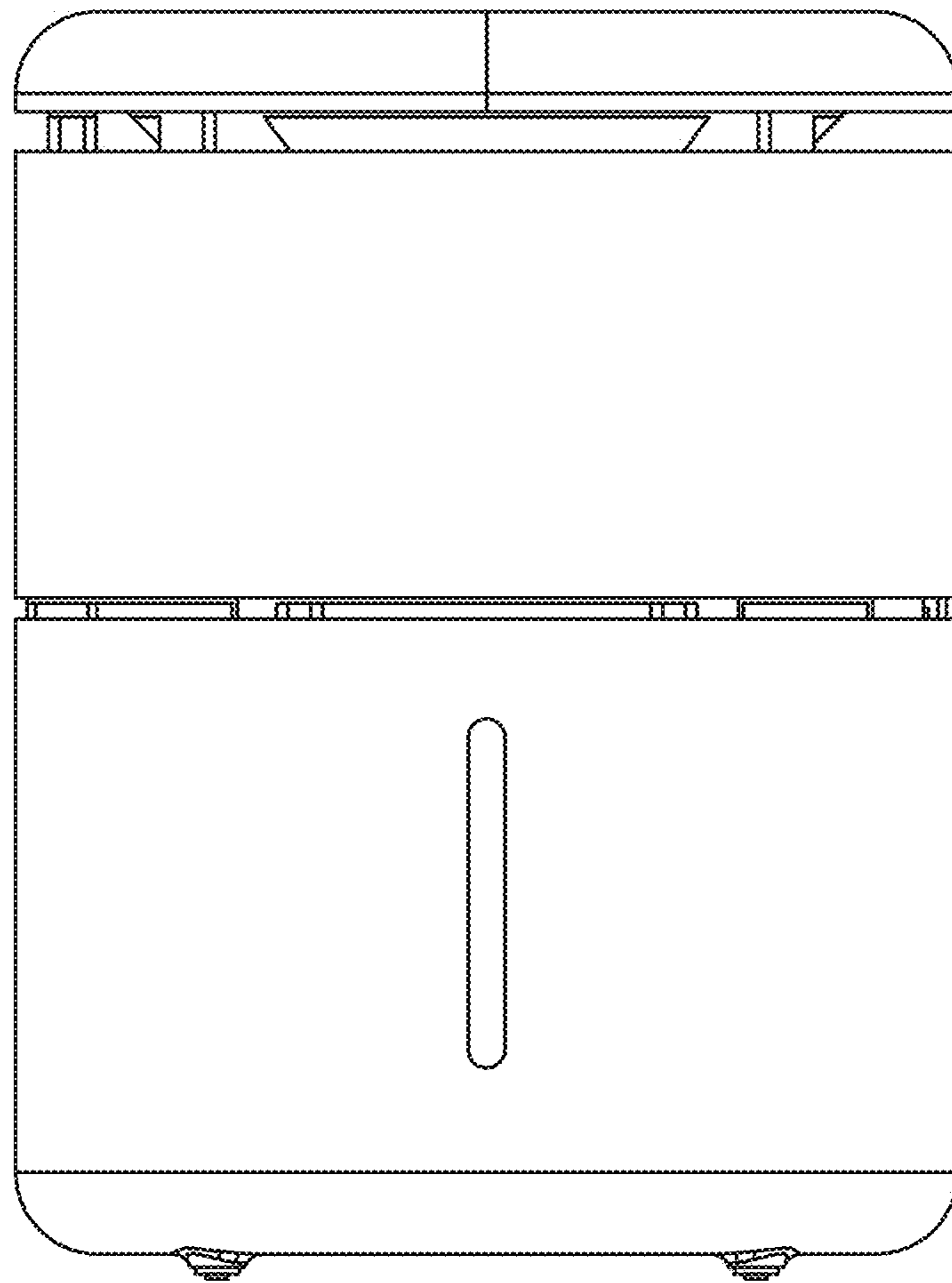


FIG. 1

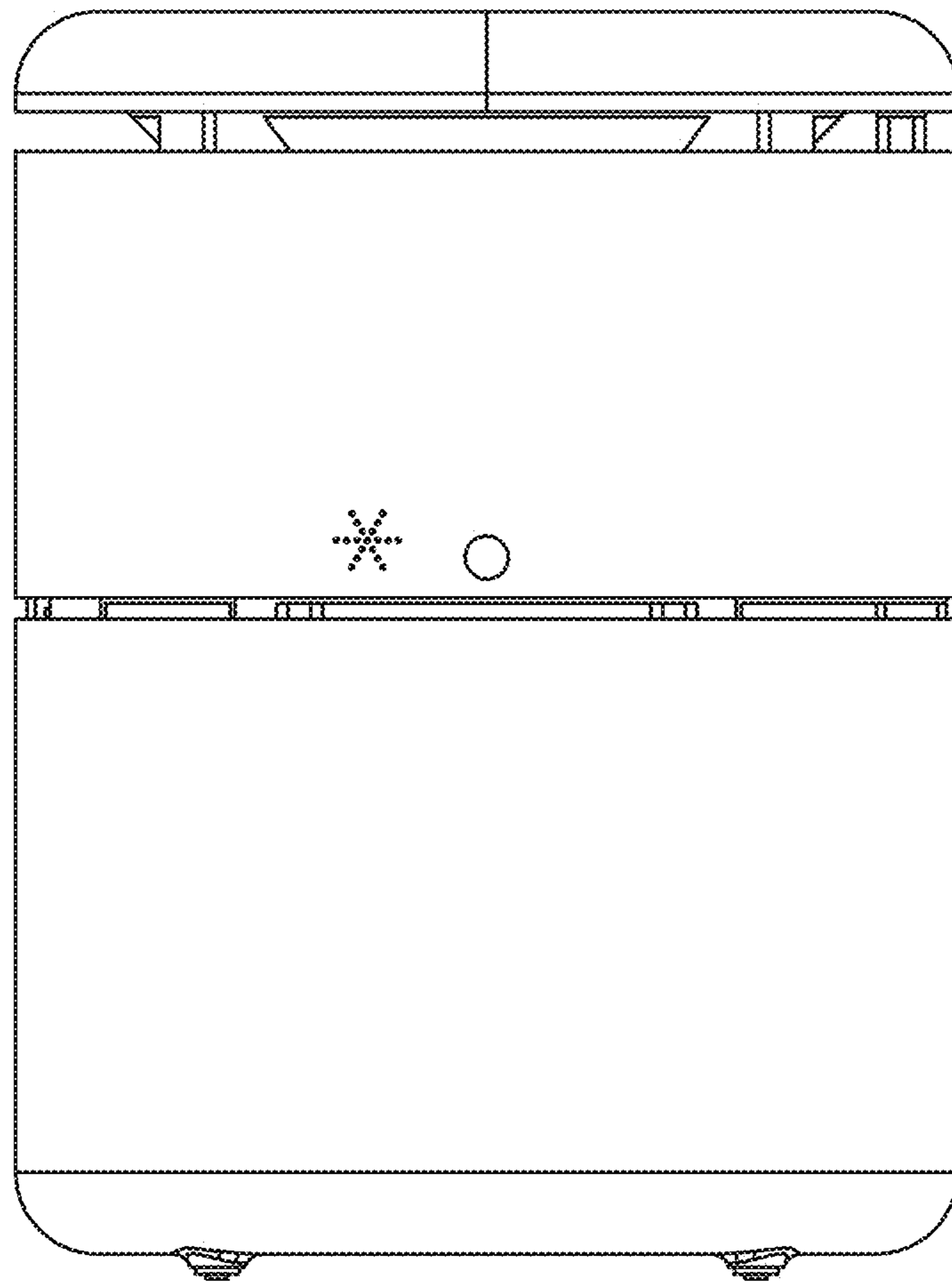


FIG. 2

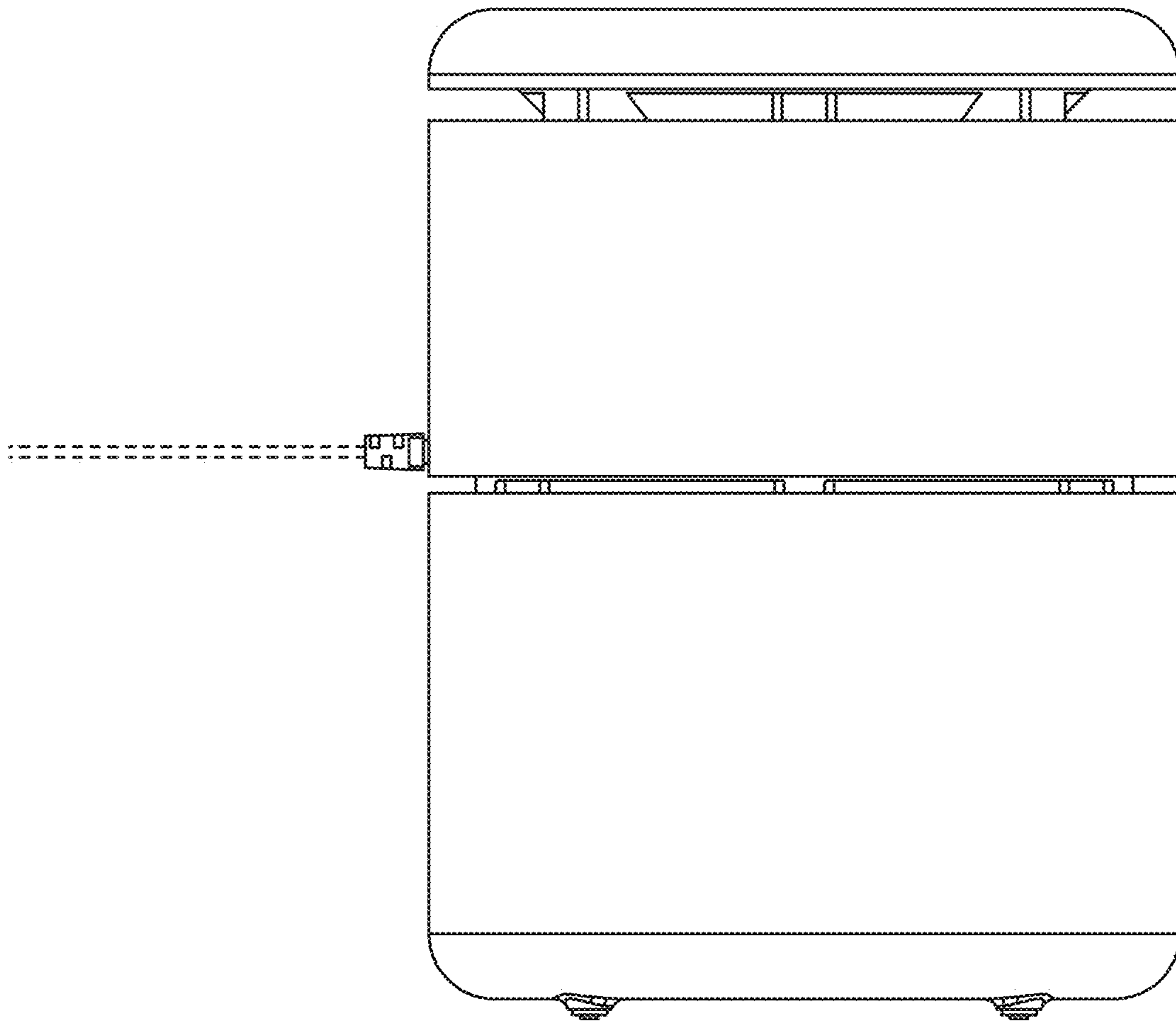


FIG. 3

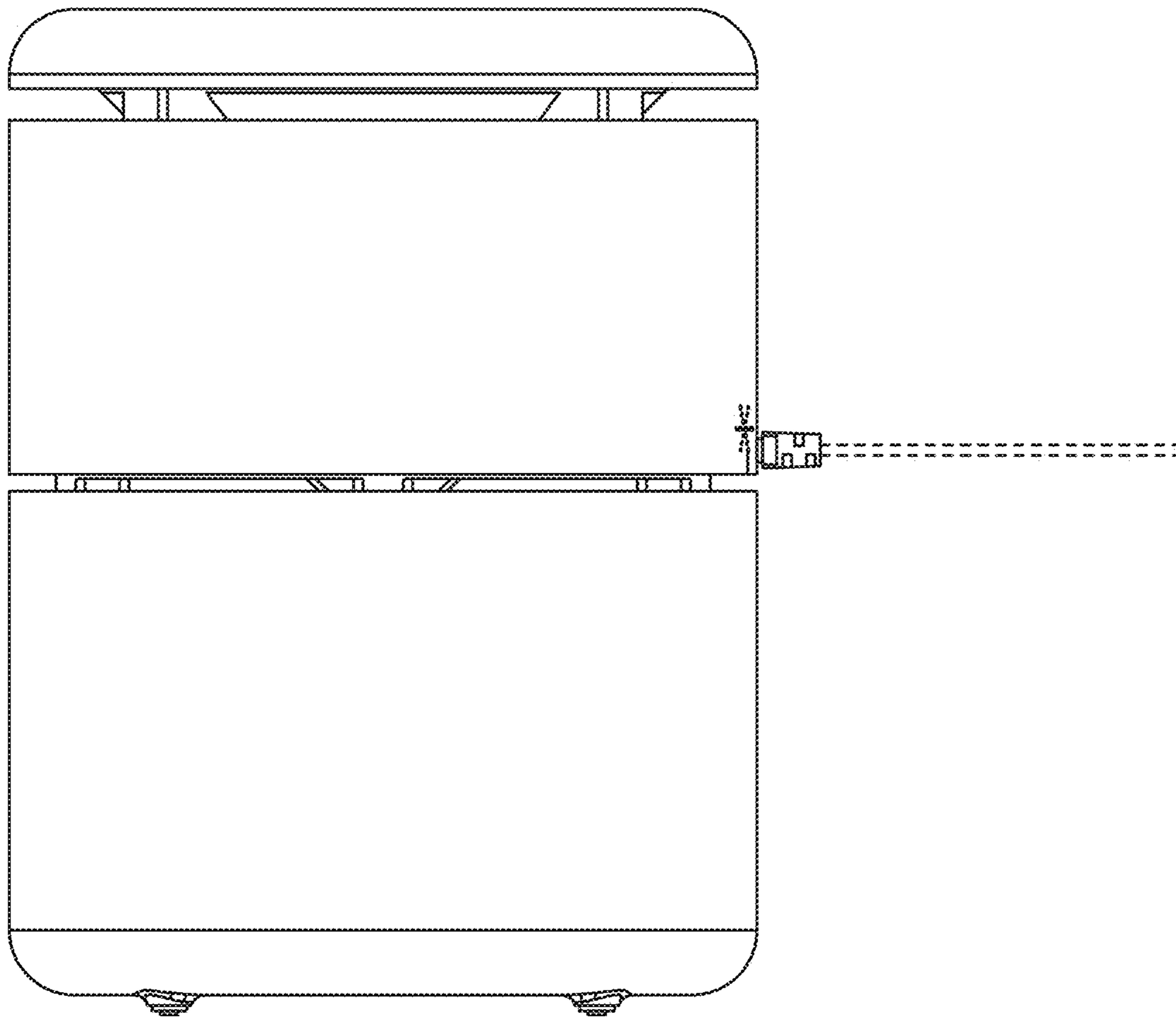


FIG. 4

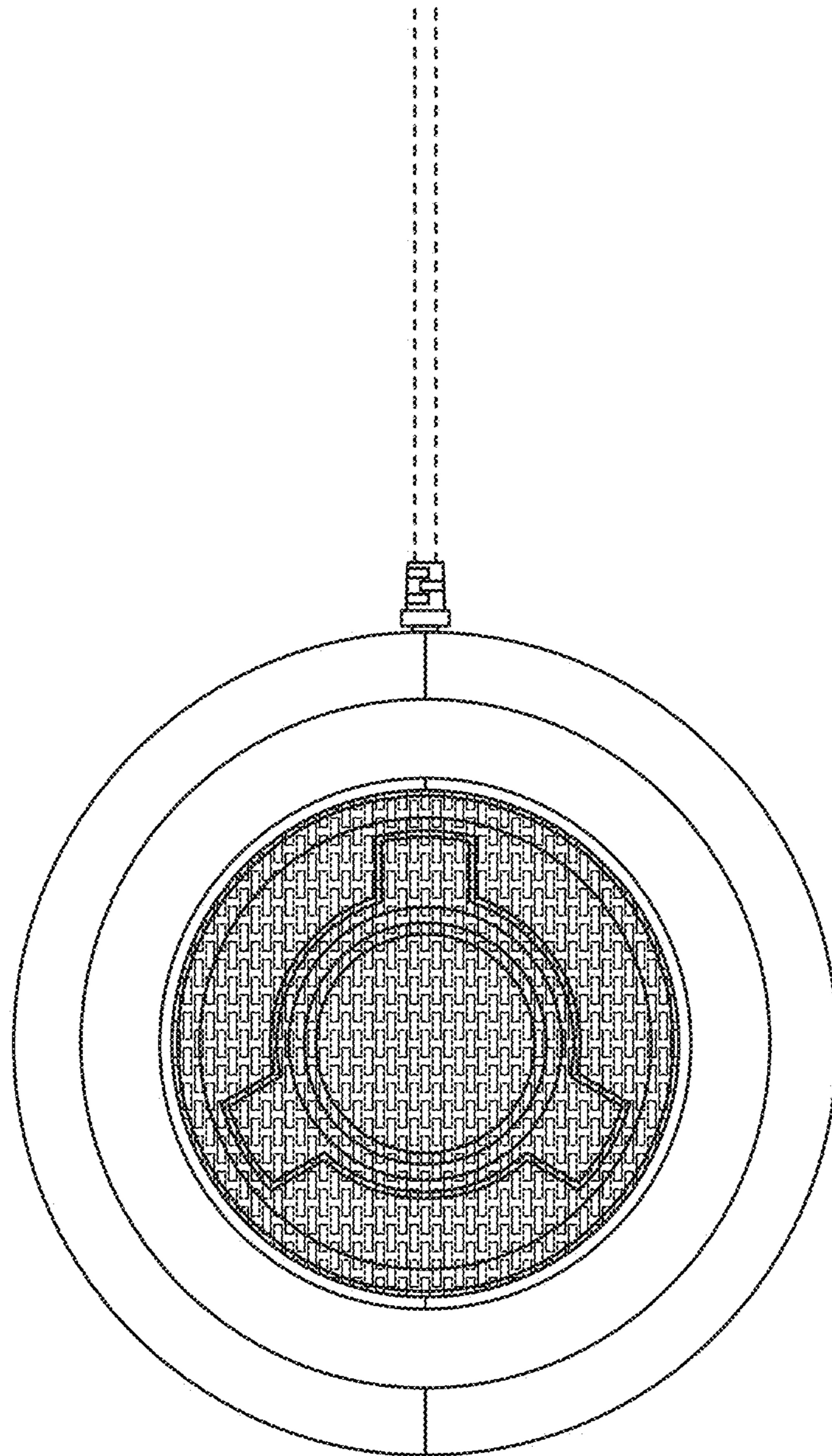


FIG. 5

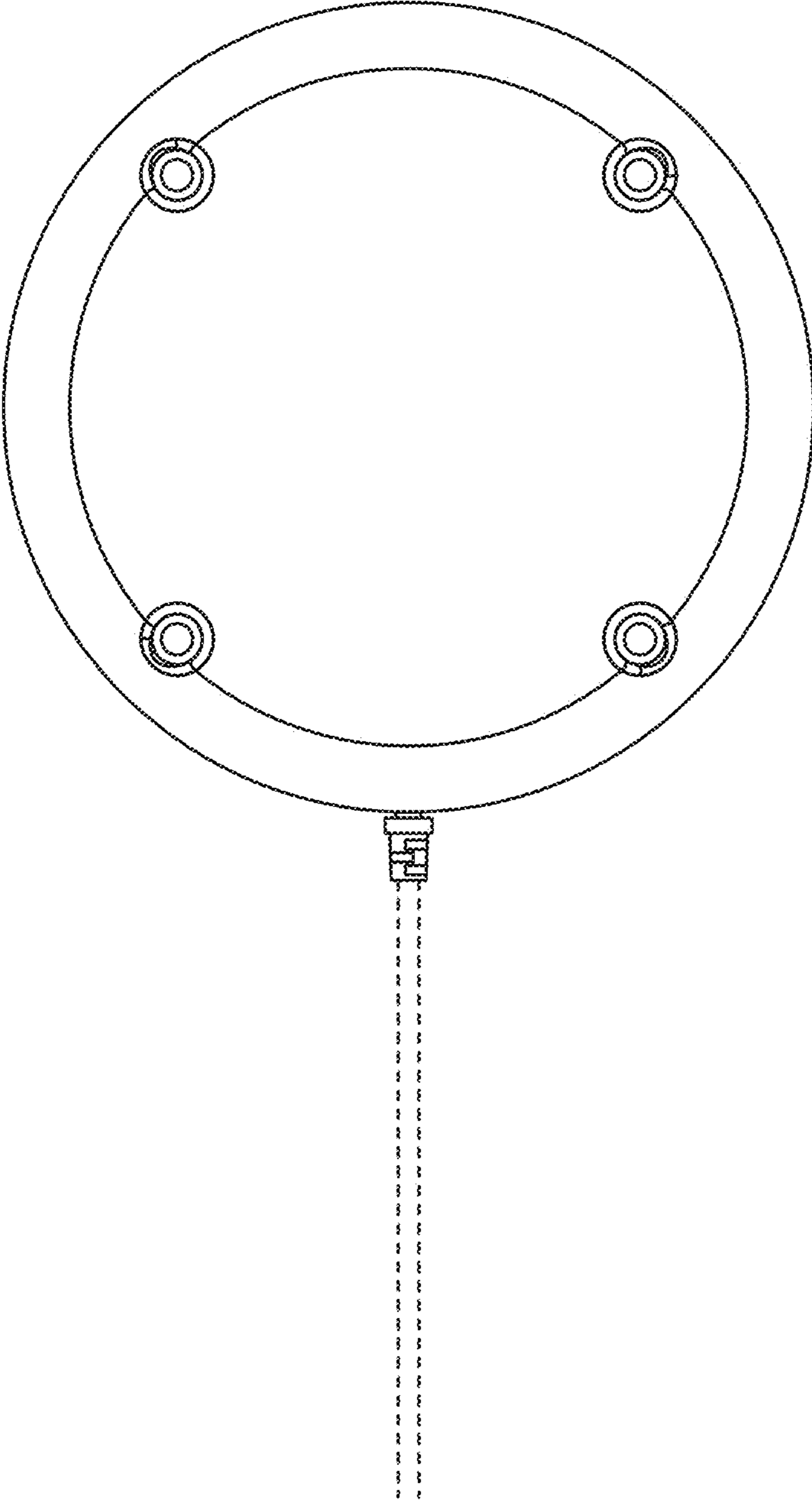


FIG. 6

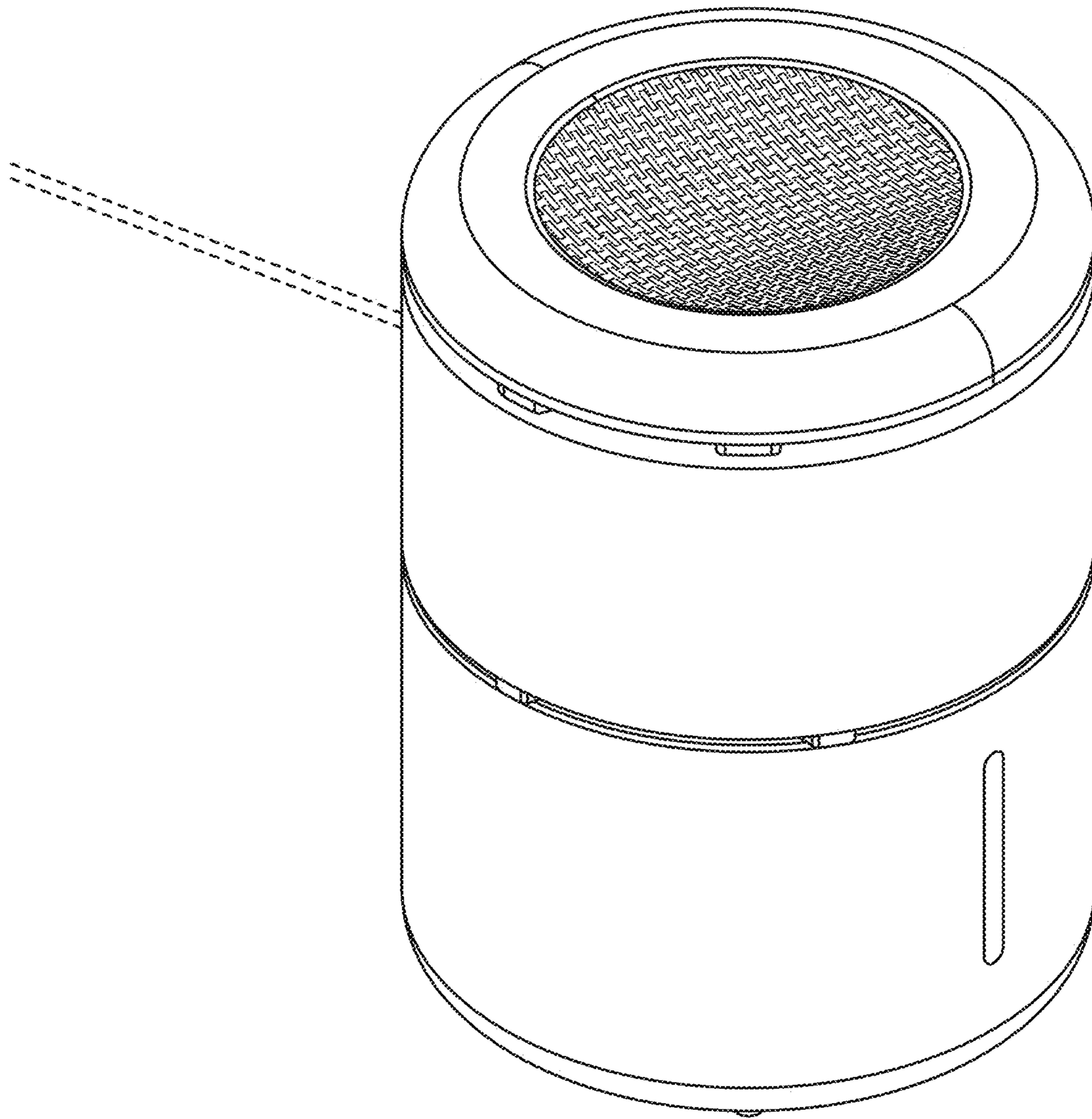


FIG. 7

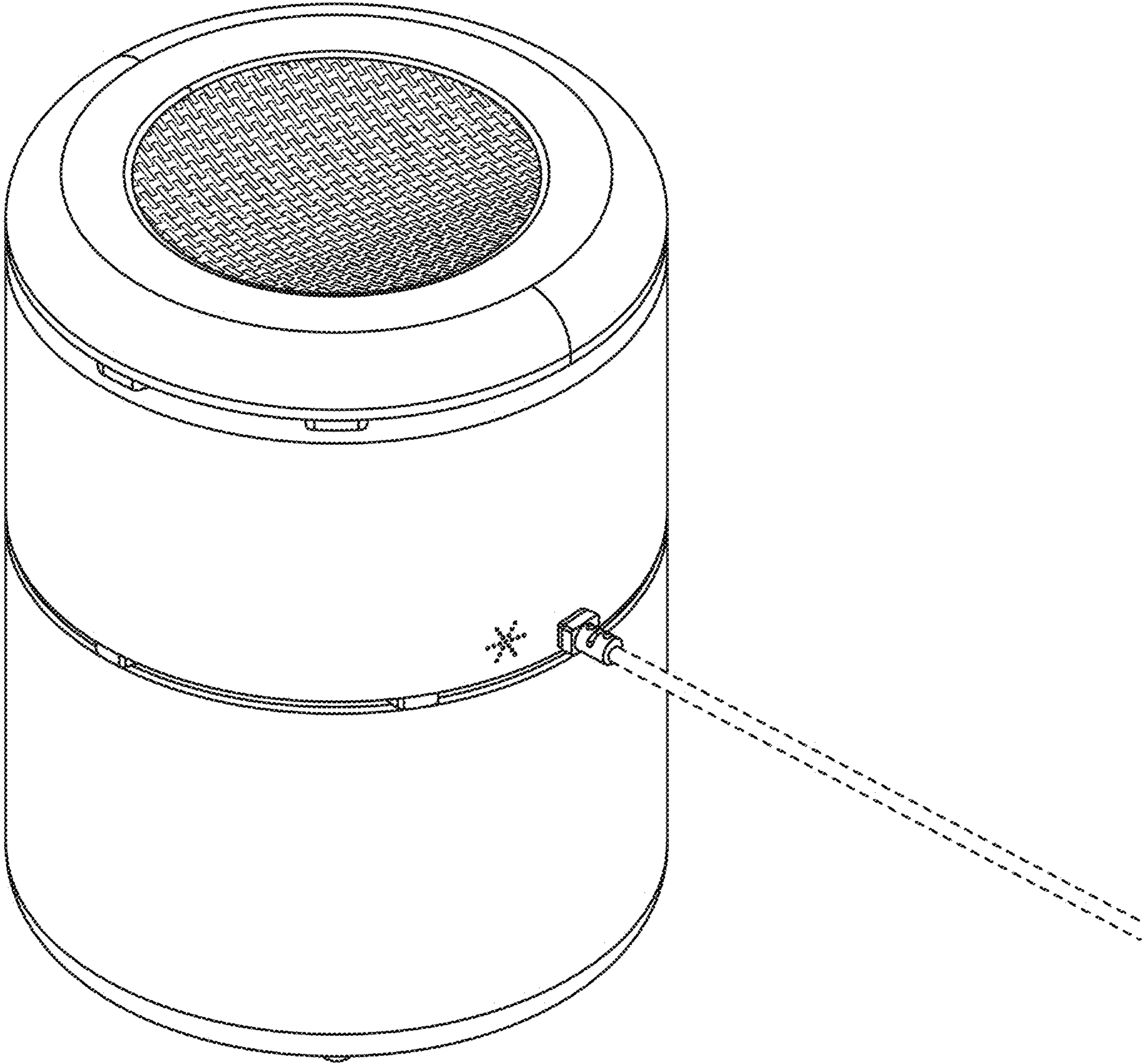


FIG. 8