



US00D892288S

(12) **United States Design Patent** (10) **Patent No.:** **US D892,288 S**  
**Baillie et al.** (45) **Date of Patent:** **\*\* Aug. 4, 2020**

(54) **TOP FILL ULTRASONIC HUMIDIFIER**  
(71) Applicant: **Canadian Tire Corporation, Limited,**  
Toronto (CA)  
(72) Inventors: **Brent Marc Baillie,** Toronto (CA);  
**Rishi Ramdass,** Toronto (CA); **Wong**  
**Yue Fung,** Tsuen Wan (HK)  
(73) Assignee: **Canadian Tire Corporation, Limited,**  
Toronto (CA)  
(\*\*) Term: **15 Years**  
(21) Appl. No.: **29/673,908**  
(22) Filed: **Dec. 18, 2018**

(30) **Foreign Application Priority Data**  
Jun. 27, 2018 (CA) ..... 182072  
(51) **LOC (12) Cl.** ..... **23-04**  
(52) **U.S. Cl.**  
USPC ..... **D23/356**  
(58) **Field of Classification Search**  
USPC ..... D23/355-366, 352, 369, 332, 333, 335,  
D23/336, 342, 351; 422/120, 122;  
55/356, 473, 504; 96/97; 261/DIG. 17,  
261/DIG. 65, DIG. 88, DIG. 31  
CPC .. A61L 9/16; A61L 9/22; B01D 47/00; B01D  
47/027; B01D 2221/02; B01D 2259/4508;  
B03C 3/155; B03C 3/368; F24F 3/16;  
F24F 13/20; F24F 13/28  
See application file for complete search history.

(56) **References Cited**  
U.S. PATENT DOCUMENTS  
D827,802 S \* 9/2018 Chen ..... D23/366  
D831,811 S \* 10/2018 Cho ..... D23/364  
D832,414 S \* 10/2018 Sharma ..... D23/364  
D835,766 S \* 12/2018 Chen ..... D23/364

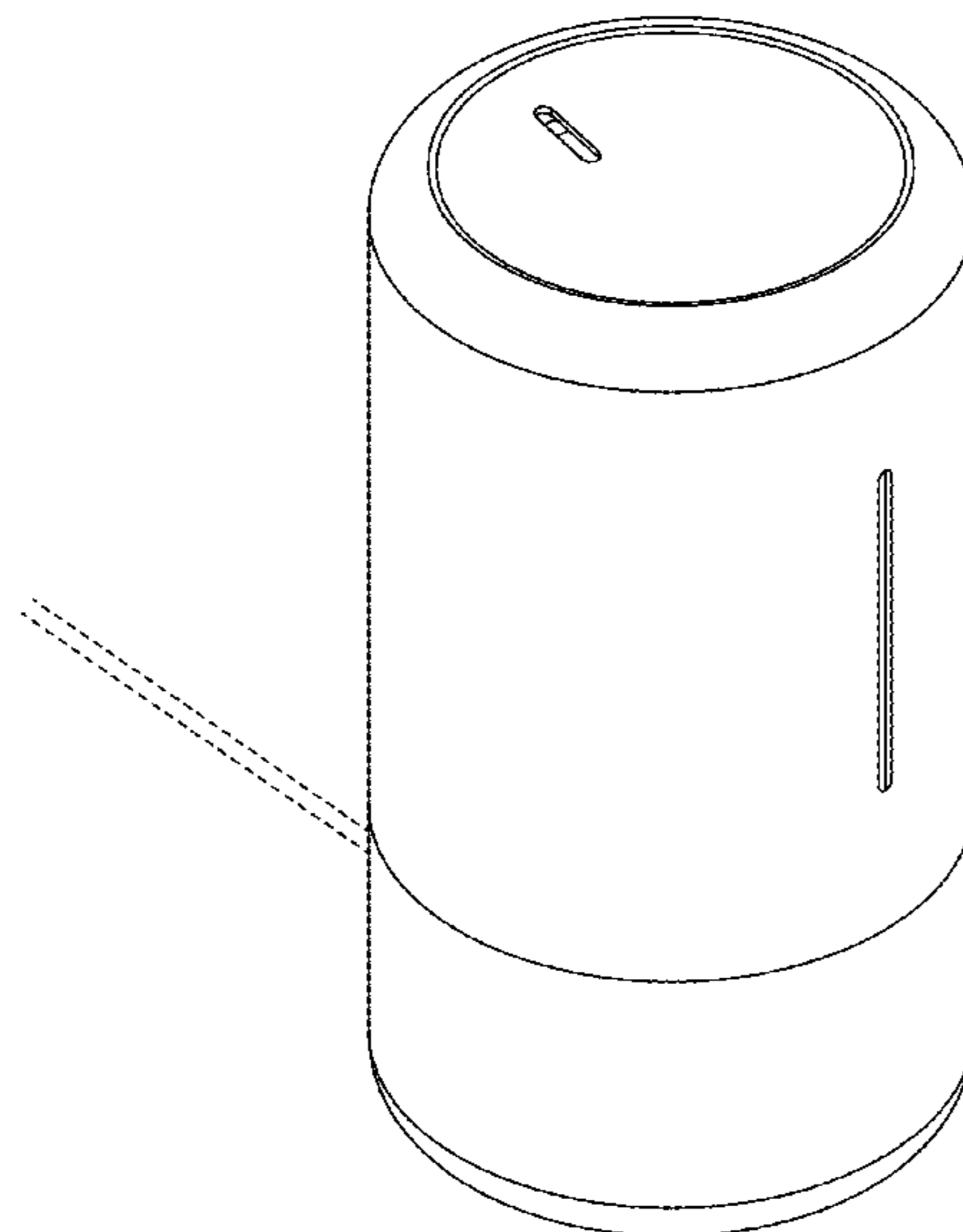
D836,760 S \* 12/2018 Fredang ..... D23/364  
D837,354 S \* 1/2019 Su ..... D23/364  
D838,825 S \* 1/2019 Sullivan ..... D23/366  
D845,456 S \* 4/2019 Swanson ..... D23/359  
D847,323 S \* 4/2019 Gan ..... D23/356  
D850,596 S \* 6/2019 Wu ..... D23/366  
D854,134 S \* 7/2019 Jessup ..... D23/364  
D855,787 S \* 8/2019 Sakamoto ..... D23/370  
D865,149 S \* 10/2019 Lin ..... D23/364

\* cited by examiner  
*Primary Examiner* — David G Muller  
(74) *Attorney, Agent, or Firm* — Alston & Bird LLP

(57) **CLAIM**  
The ornamental design for a top fill ultrasonic humidifier, as shown and described.

**DESCRIPTION**  
FIG. 1 is a front elevation view of a top fill ultrasonic humidifier according to an exemplary embodiment of the present design.  
FIG. 2 is a rear elevation view of the top fill ultrasonic humidifier of FIG. 1.  
FIG. 3 is a left side view of the top fill ultrasonic humidifier of FIG. 1.  
FIG. 4 is a right side view of the top fill ultrasonic humidifier of FIG. 1.  
FIG. 5 a top plan view of the top fill ultrasonic humidifier of FIG. 1.  
FIG. 6 is a bottom plan view of the top fill ultrasonic humidifier of FIG. 1.  
FIG. 7 is a top front perspective view of the top fill ultrasonic humidifier of FIG. 1; and,  
FIG. 8 is a top rear perspective view of the top fill ultrasonic humidifier of FIG. 1.  
The broken line showing of parts of the drawings is included for the purpose of illustrating use and environment and forms no part of the claimed design.

**1 Claim, 8 Drawing Sheets**



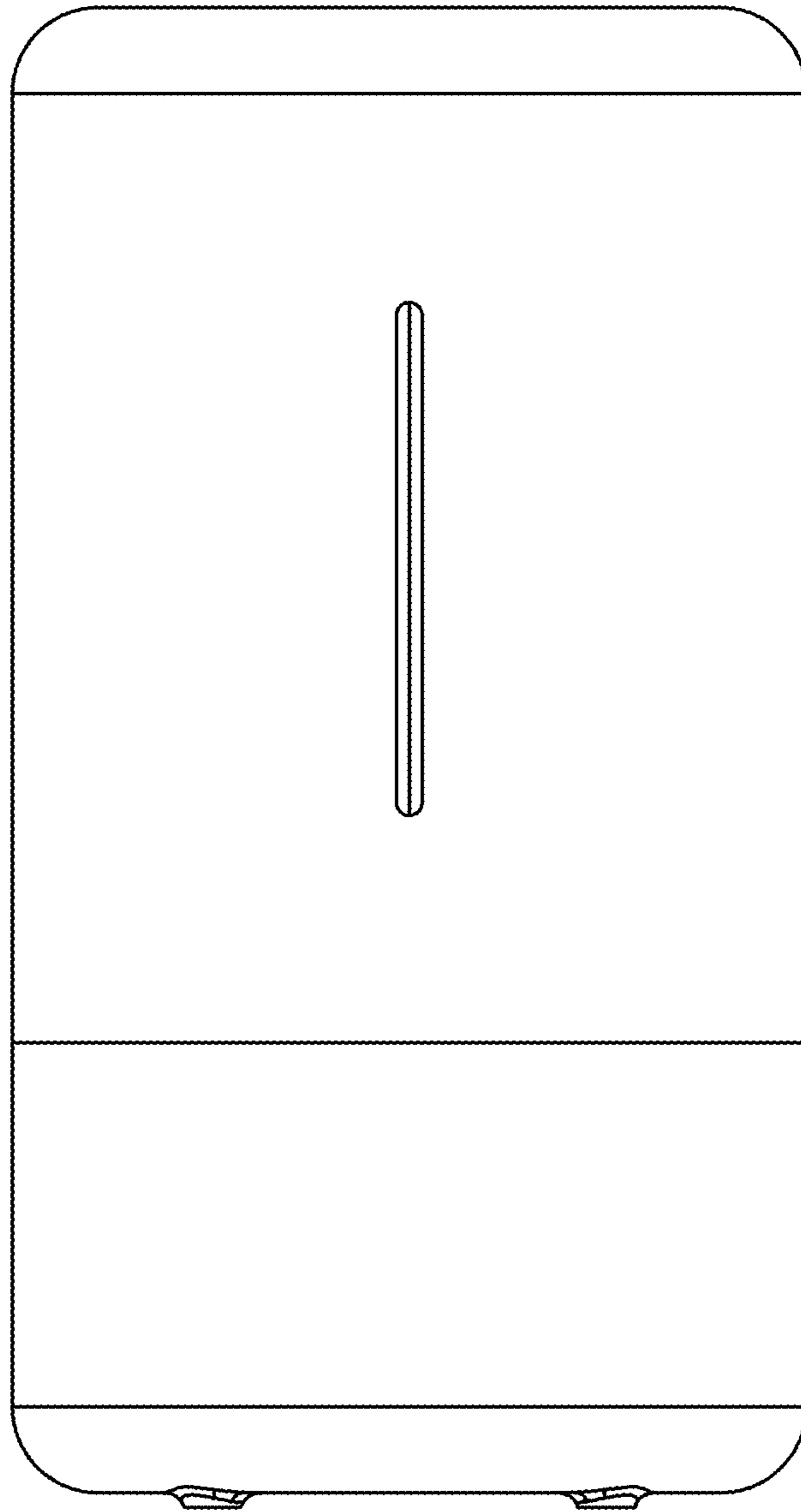


FIG. 1

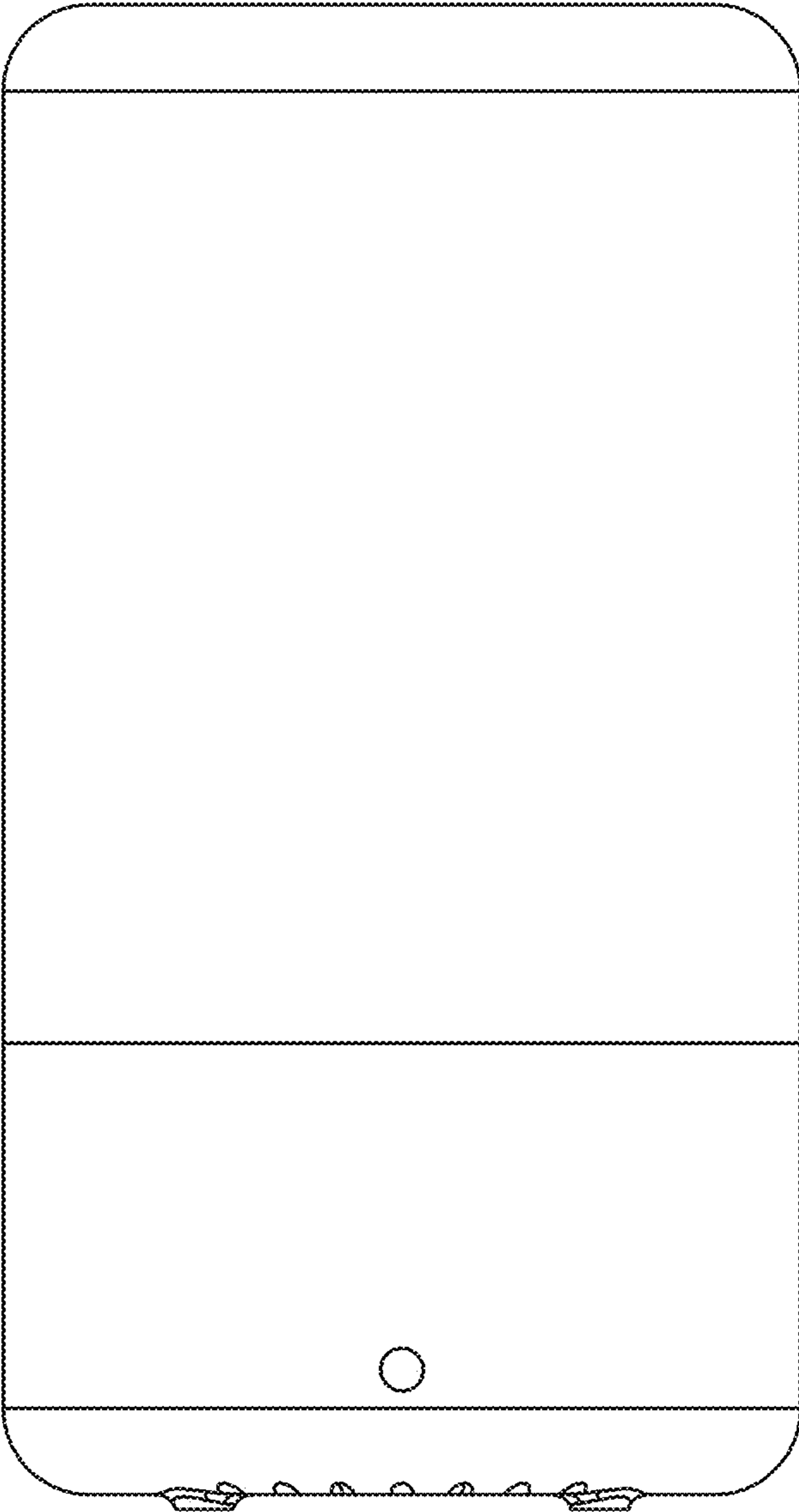


FIG. 2

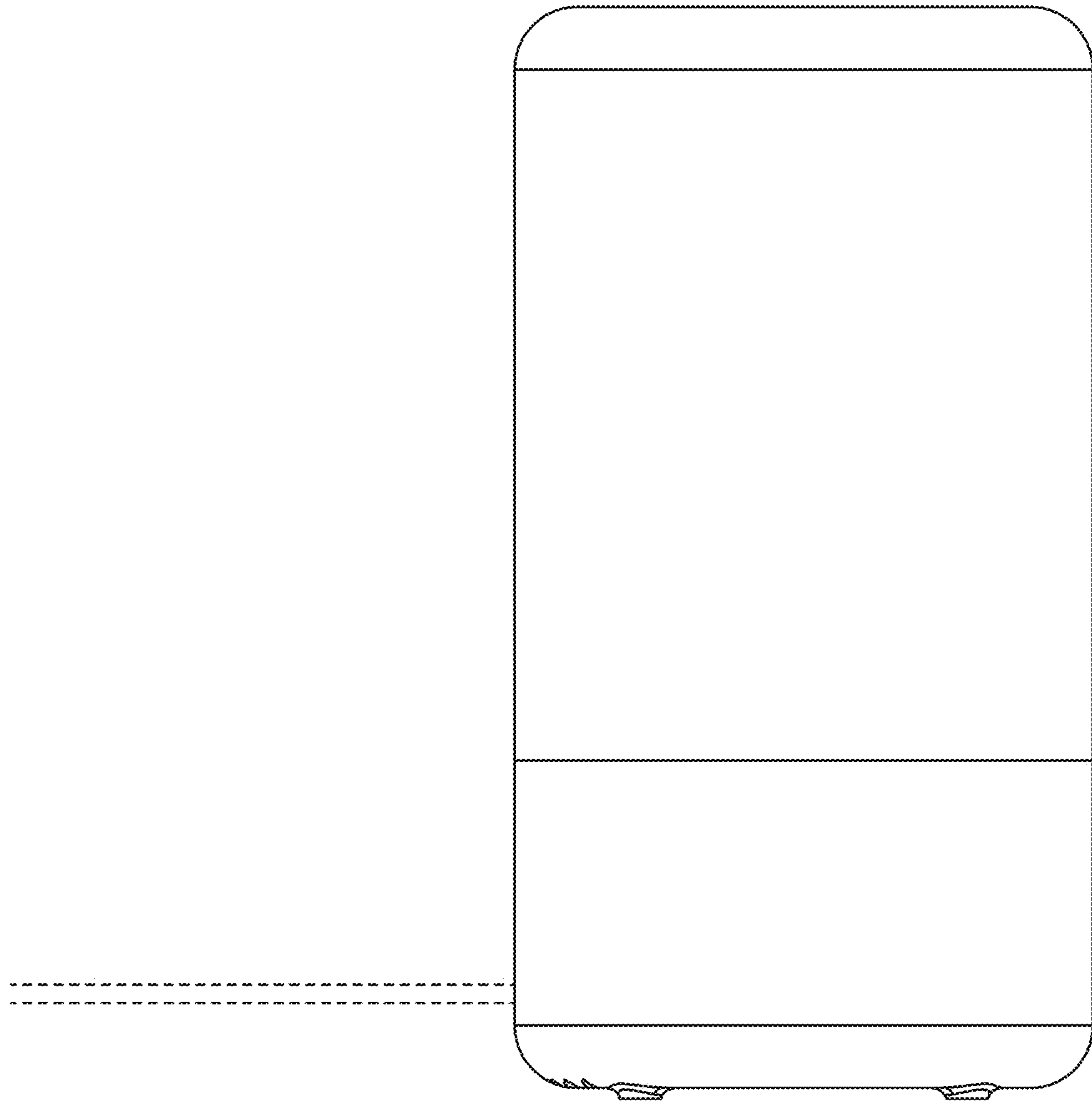


FIG. 3

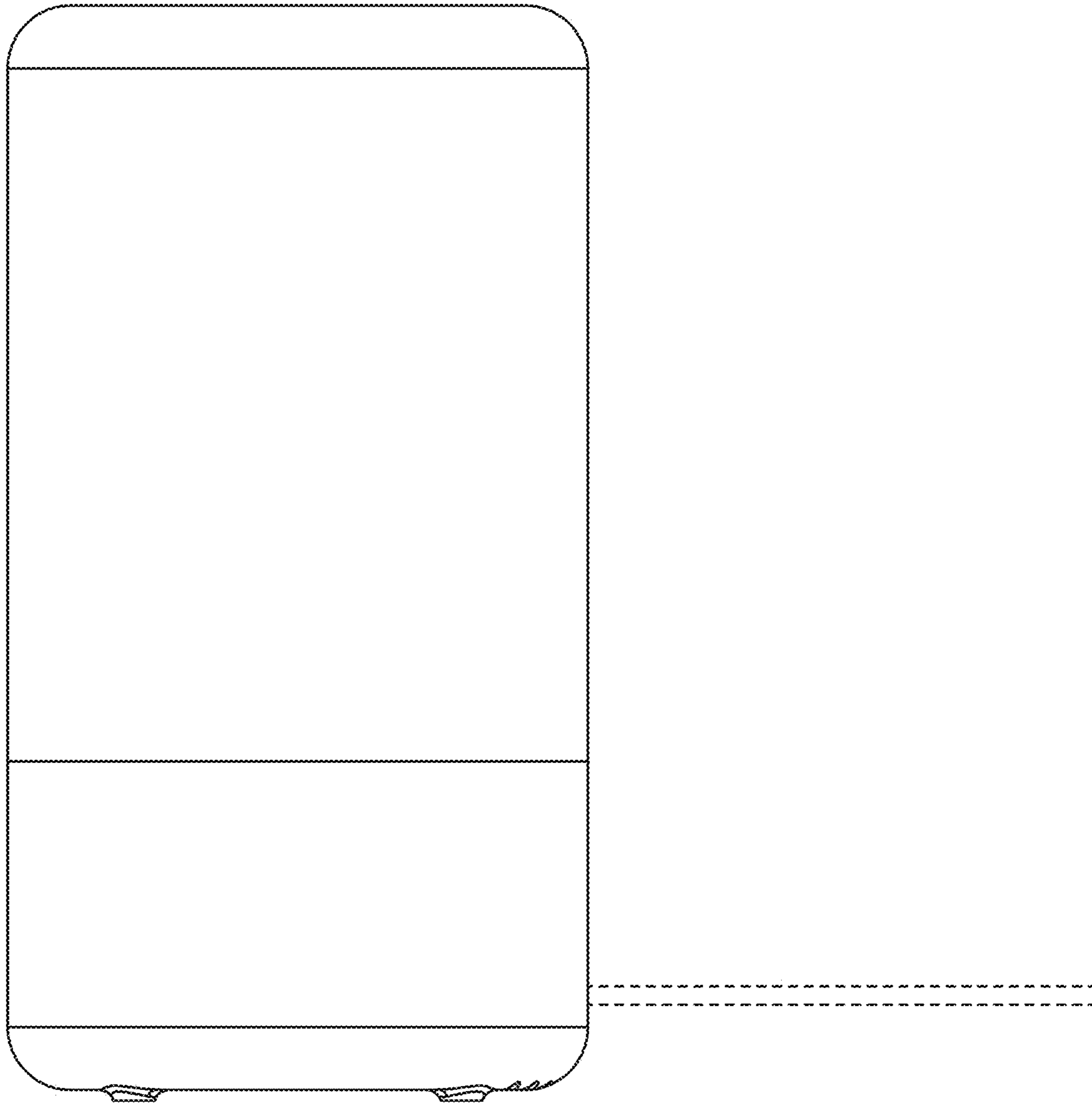


FIG. 4

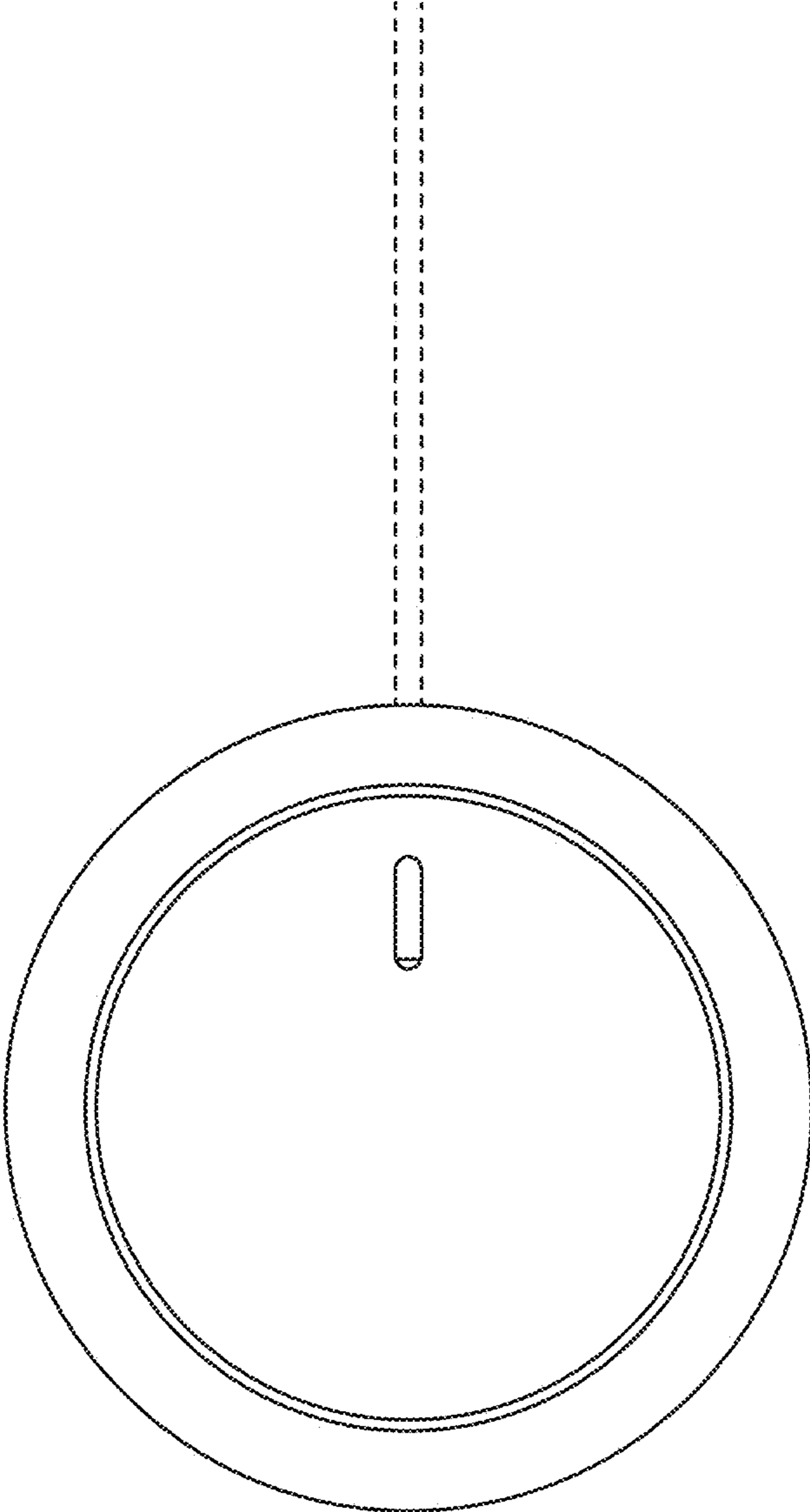


FIG. 5

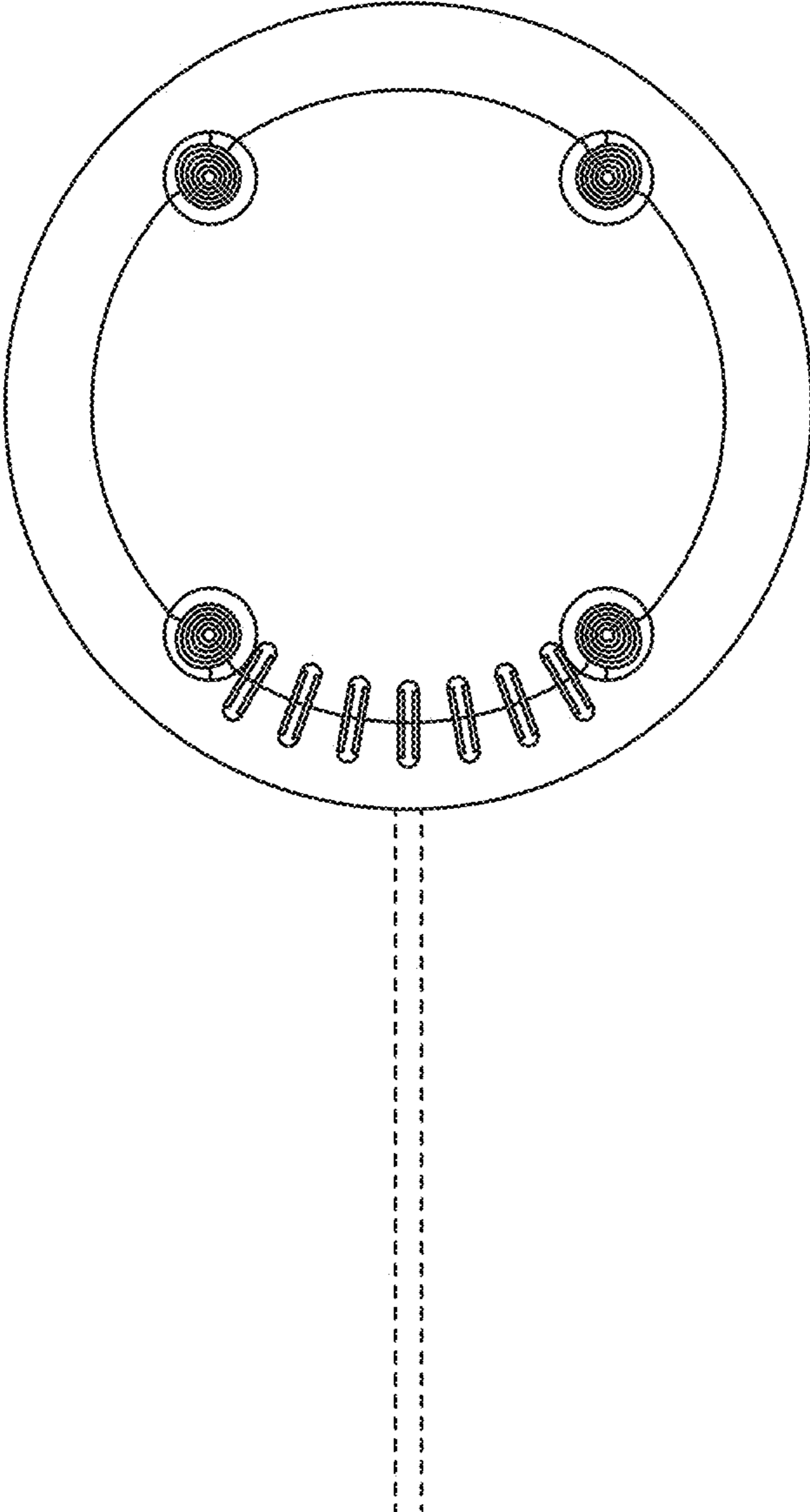


FIG. 6

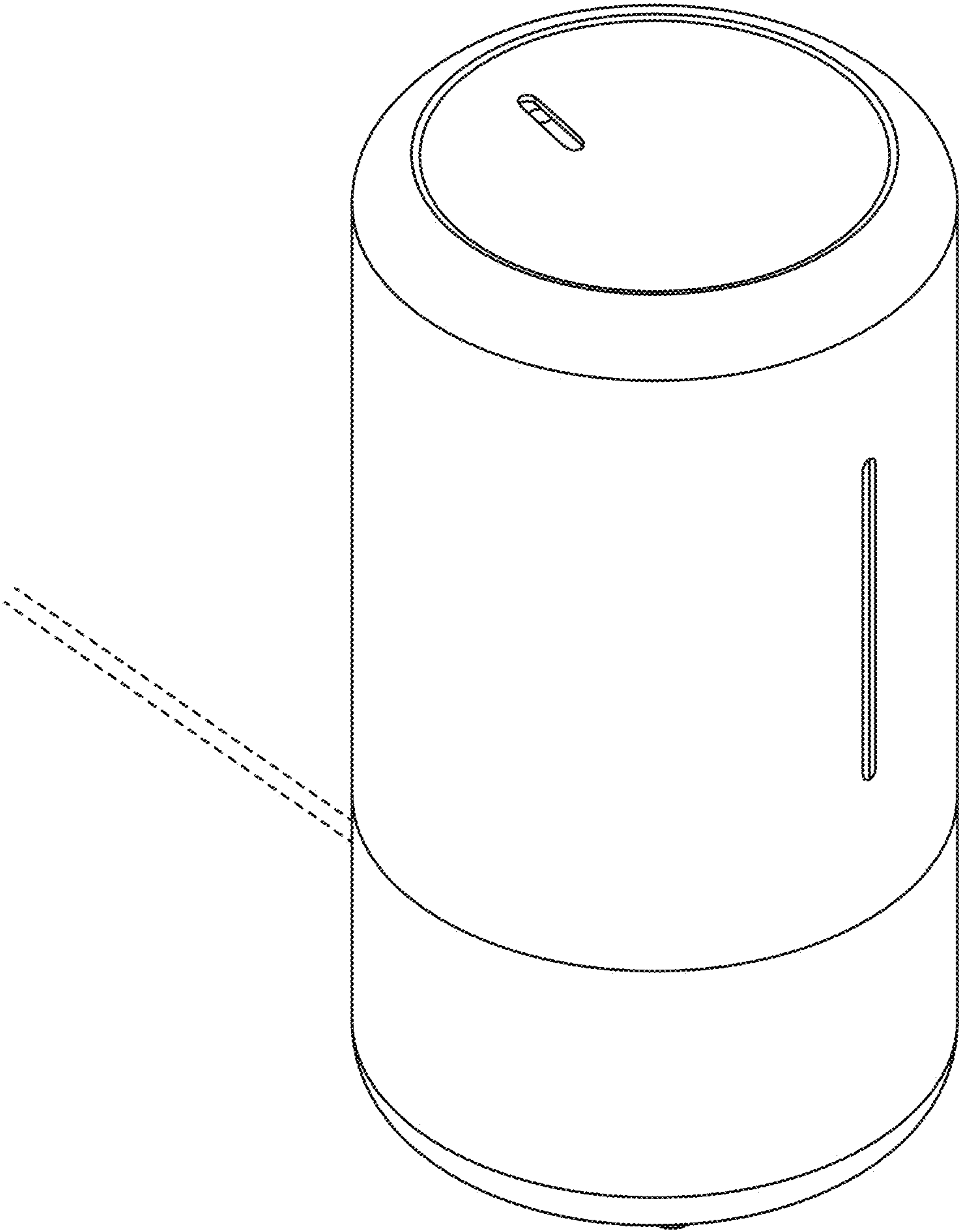


FIG. 7



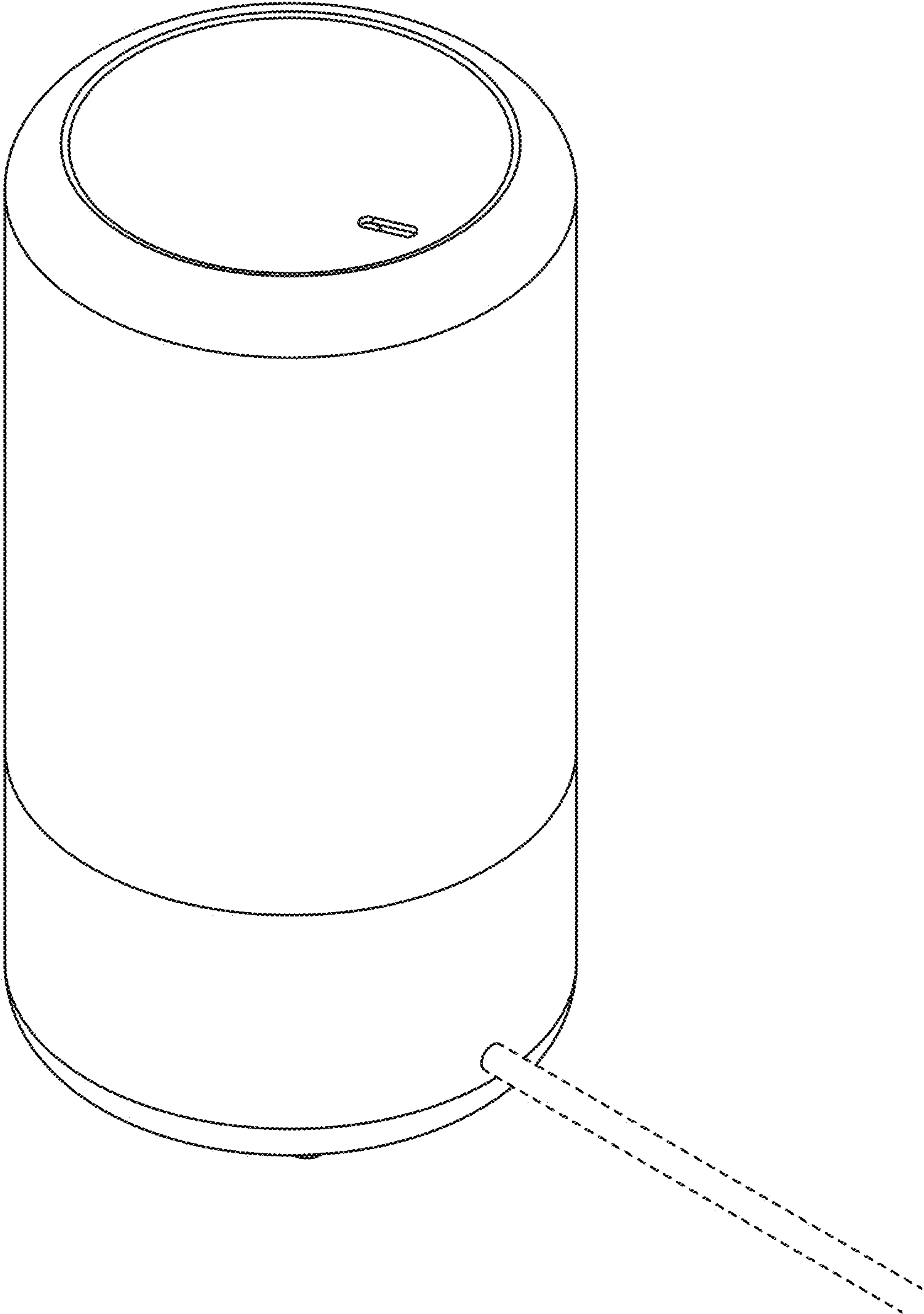


FIG. 8