



US00D892285S

(12) **United States Design Patent** (10) **Patent No.:** **US D892,285 S**
Uceda (45) **Date of Patent:** **** Aug. 4, 2020**

(54) **TOILET** 2015/0219145 A1* 8/2015 Lambert E03D 11/16
411/369

(71) Applicant: **Kohler Co.**, Kohler, WI (US) * cited by examiner

(72) Inventor: **Carlos F. Uceda**, Sheboygan, WI (US) *Primary Examiner* — Robert A Delehanty

(73) Assignee: **KOHLER CO.**, Kohler, WI (US) (74) *Attorney, Agent, or Firm* — Foley & Lardner LLP

(**) Term: **15 Years** (57) **CLAIM**

I claim the ornamental design for a toilet, as shown and described.

(21) Appl. No.: **29/662,925**

DESCRIPTION

(22) Filed: **Sep. 10, 2018**

(51) **LOC (12) Cl.** **23-02**

(52) **U.S. Cl.**
USPC **D23/301**

(58) **Field of Classification Search**
USPC D23/295, 301, 303, 310, 313
CPC A47K 11/00
See application file for complete search history.

FIG. 1 is a top, front, left perspective view of an embodiment of the claimed design;
FIG. 2 is a left side elevation view thereof;
FIG. 3 is a right side elevation view thereof;
FIG. 4 is a front elevation view thereof;
FIG. 5 is a rear elevation view thereof;
FIG. 6 is a top plan view thereof; and,
FIG. 7 is a bottom plan view thereof.

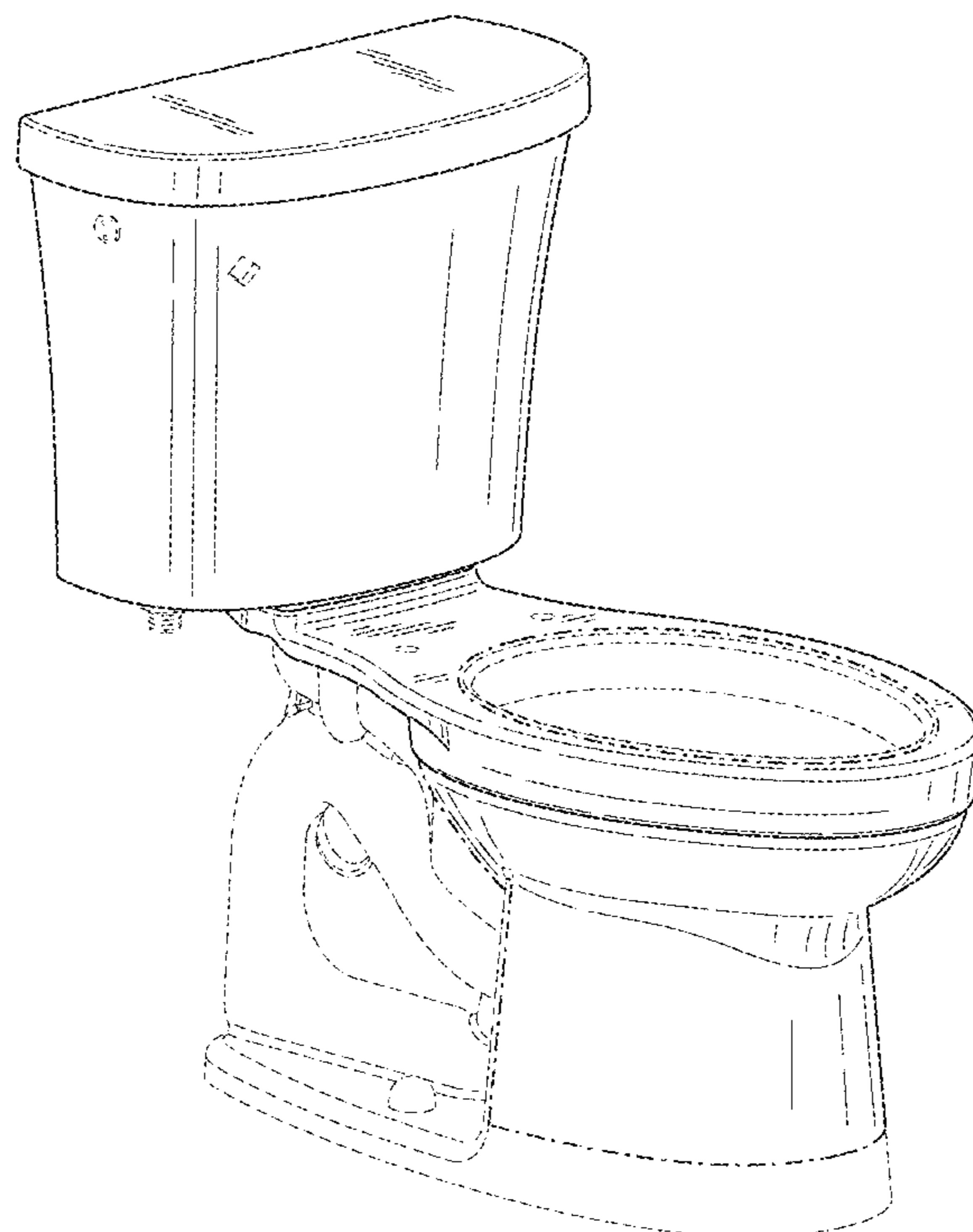
(56) **References Cited**

U.S. PATENT DOCUMENTS

D347,054 S	5/1994	Kohler, Jr. et al.	
D397,214 S	8/1998	Felker	
D507,335 S	7/2005	Gordon	
D514,208 S	1/2006	Gordon	
D532,875 S	11/2006	Kaule	
D647,184 S	10/2011	Bates	
D662,575 S	6/2012	Corpuz, Jr. et al.	
D690,402 S	9/2013	Bates et al.	
D697,599 S	1/2014	Bates et al.	
D725,248 S	3/2015	Bates	
D743,516 S	11/2015	Bates	
D806,842 S	1/2018	Goad	
D829,871 S	* 10/2018	Garrels D23/301

The ornamental design which is claimed is shown in solid lines in the drawings: The broken lines in the drawings are for illustrative purposes only and form no part of the claimed design. Broken lines formed by equal length dashes show unclaimed subject matter. Broken lines formed by unequal length dashes (i.e., dash-dot) define bounds of the claimed design. Broken away symbols having a jagged element are not part of the claimed design and show unspecified lengths of the portion are possible and that no particular length of the portion is being claimed. Such break lines illustrate a symbolic break in length, and the appearance of any portion of the article between the break lines forms no part of the claimed design.

1 Claim, 7 Drawing Sheets



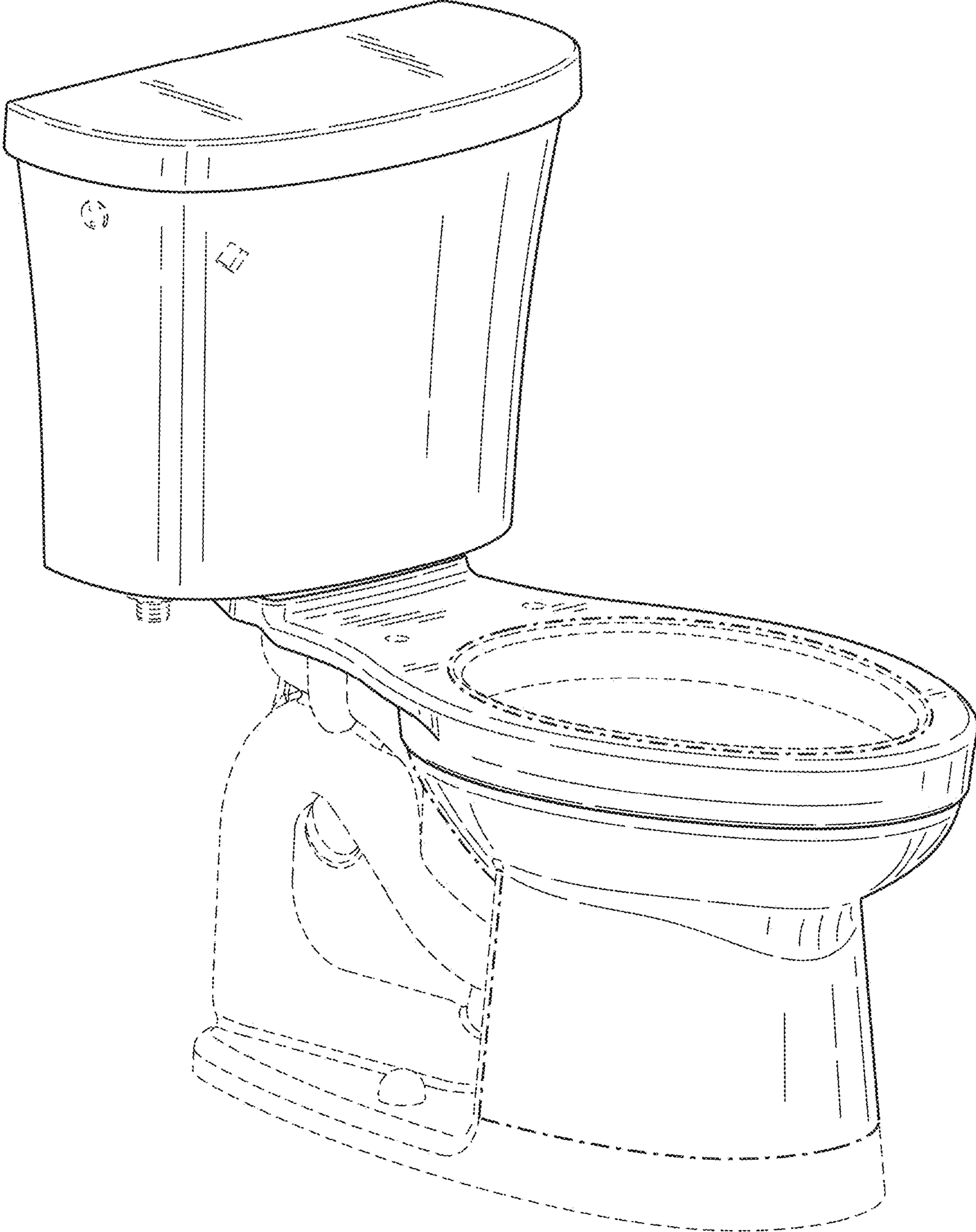


FIG. 1

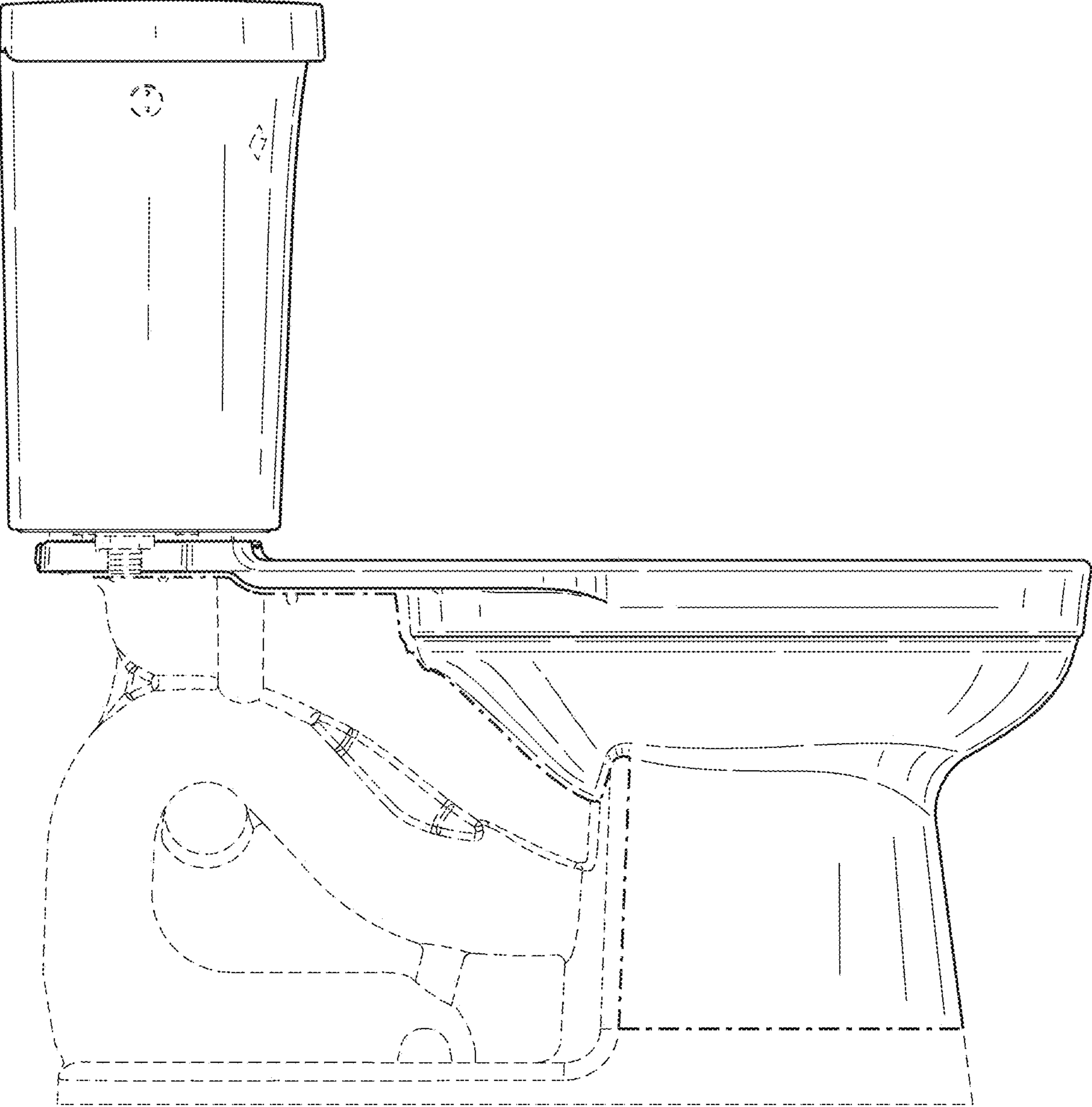


FIG. 2

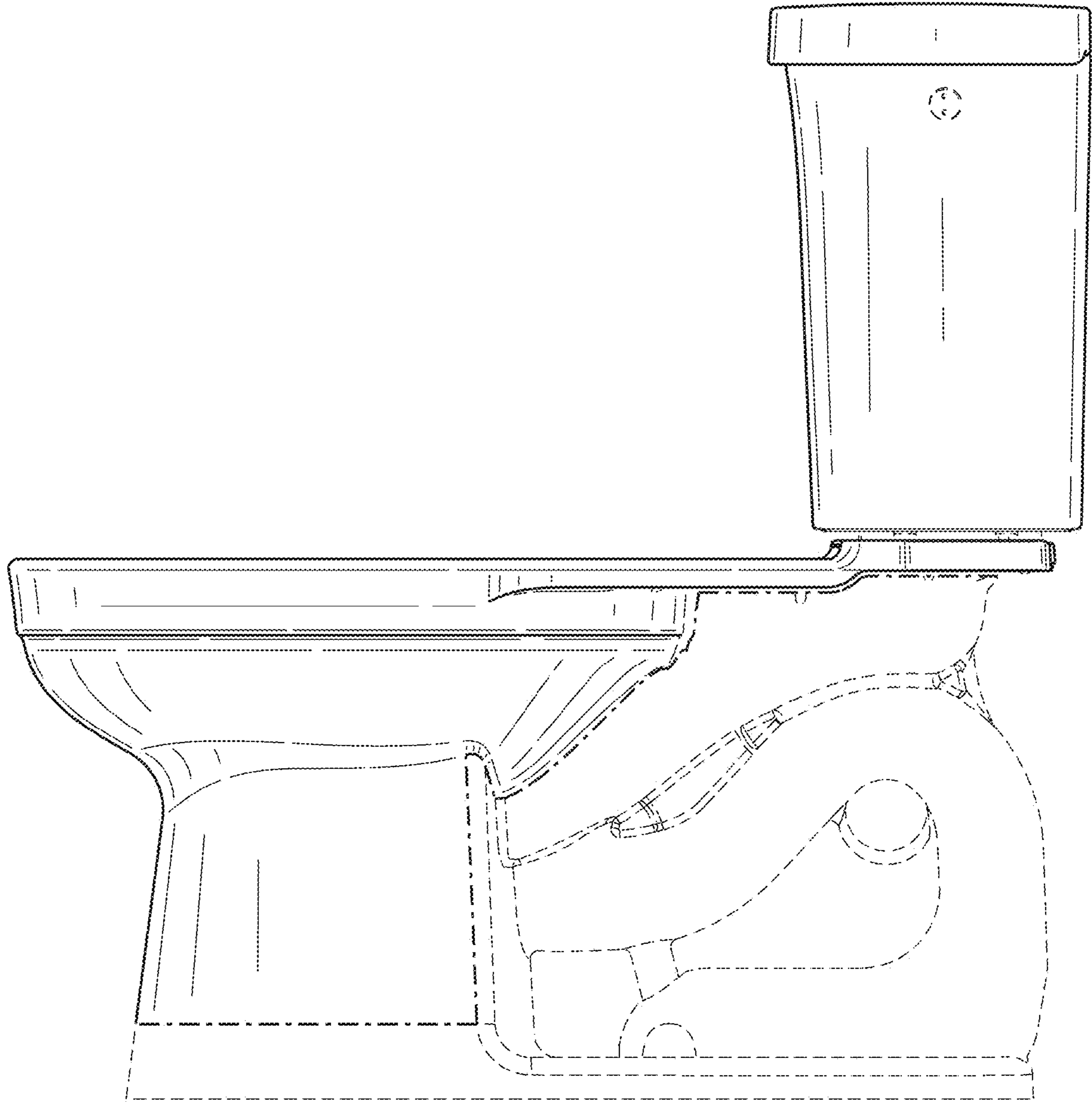


FIG. 3

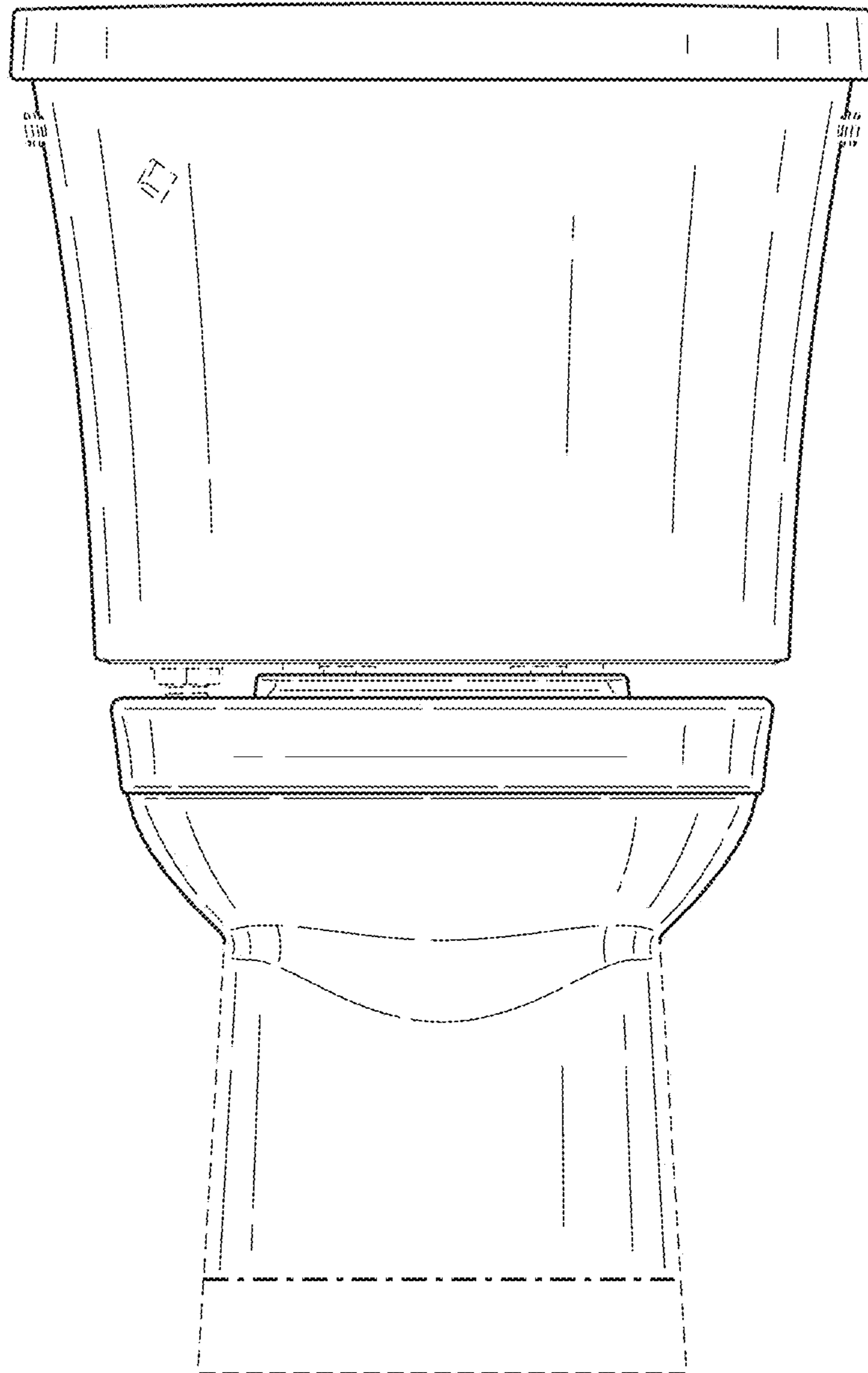


FIG. 4

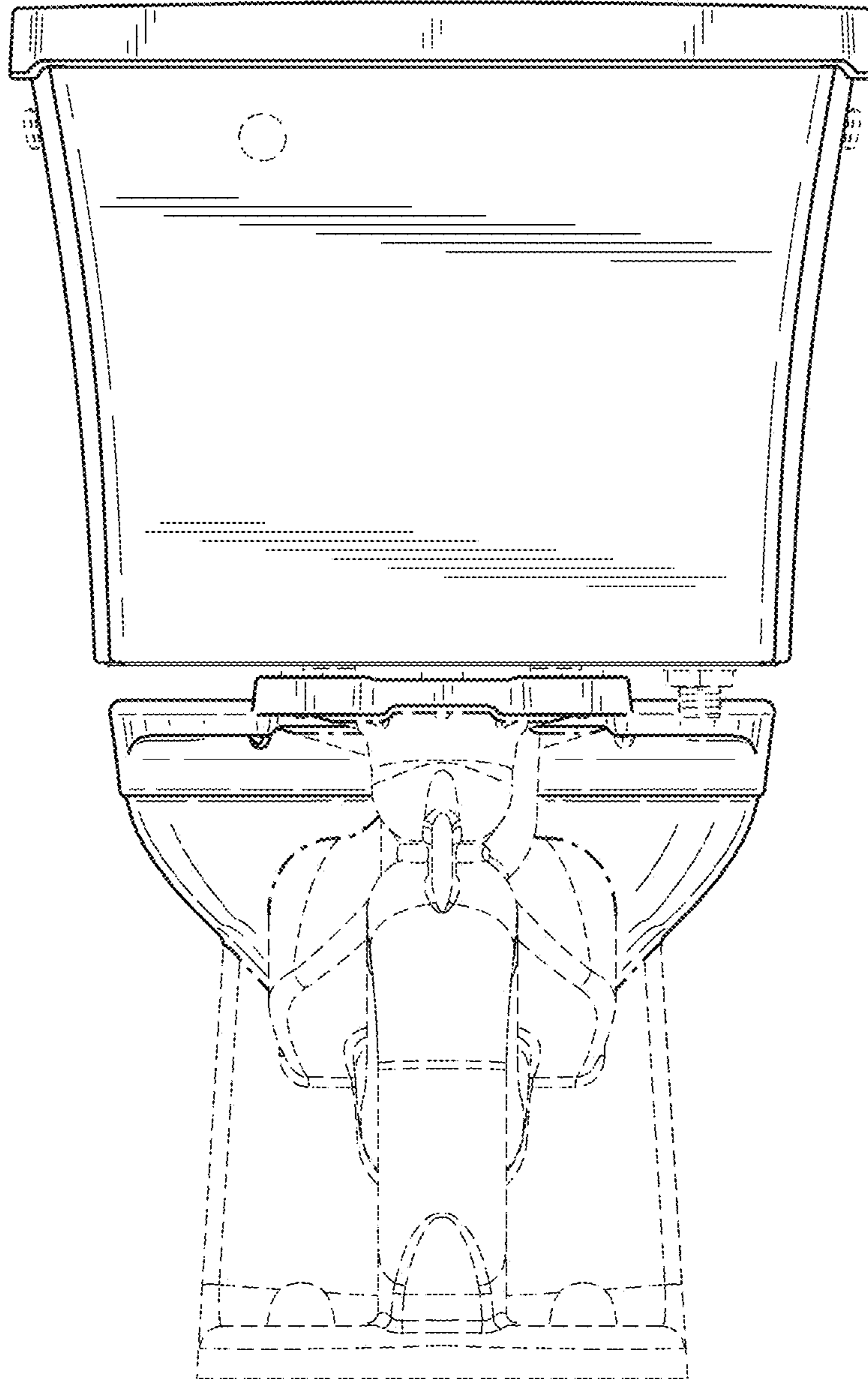


FIG. 5

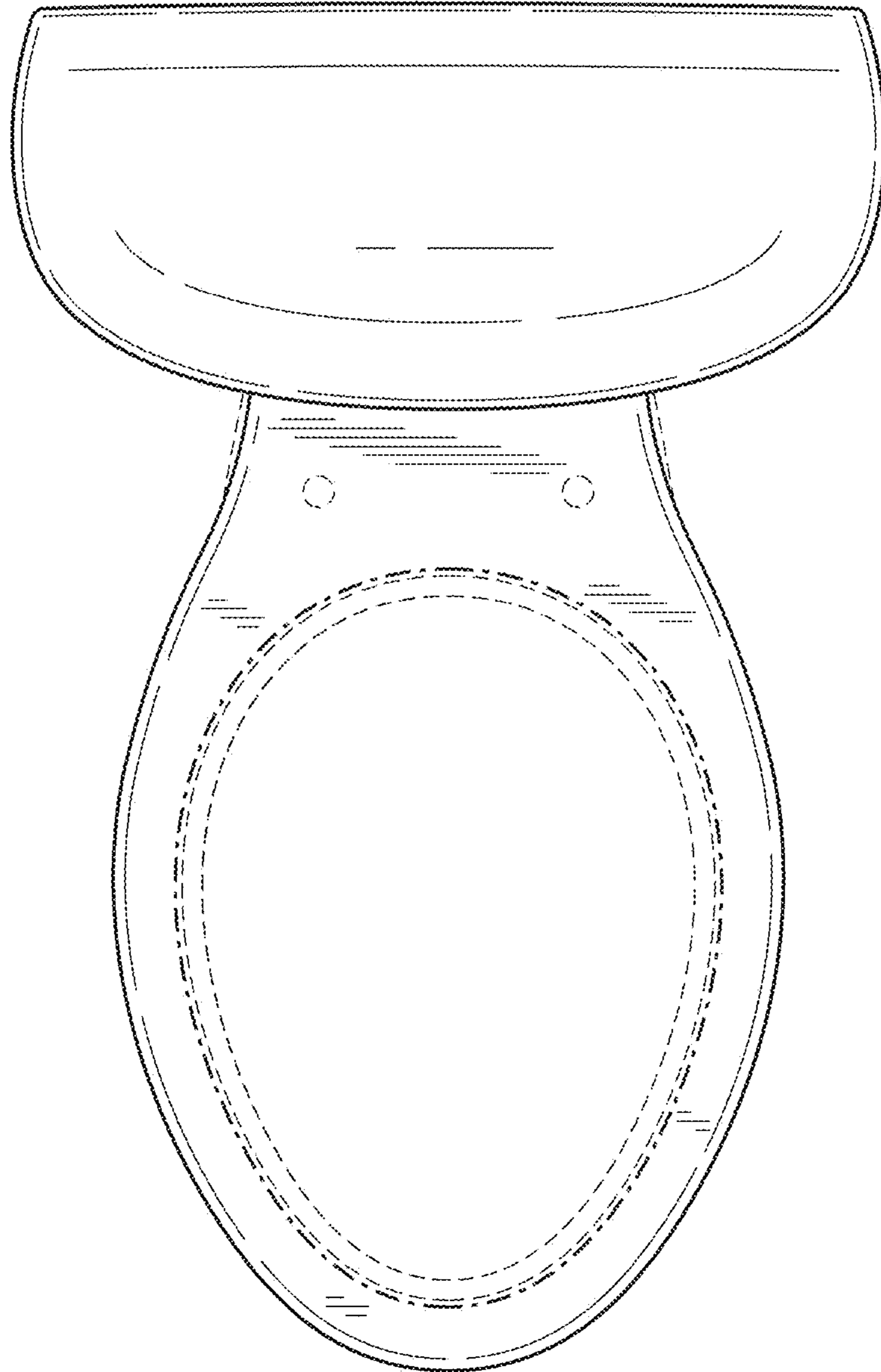


FIG. 6

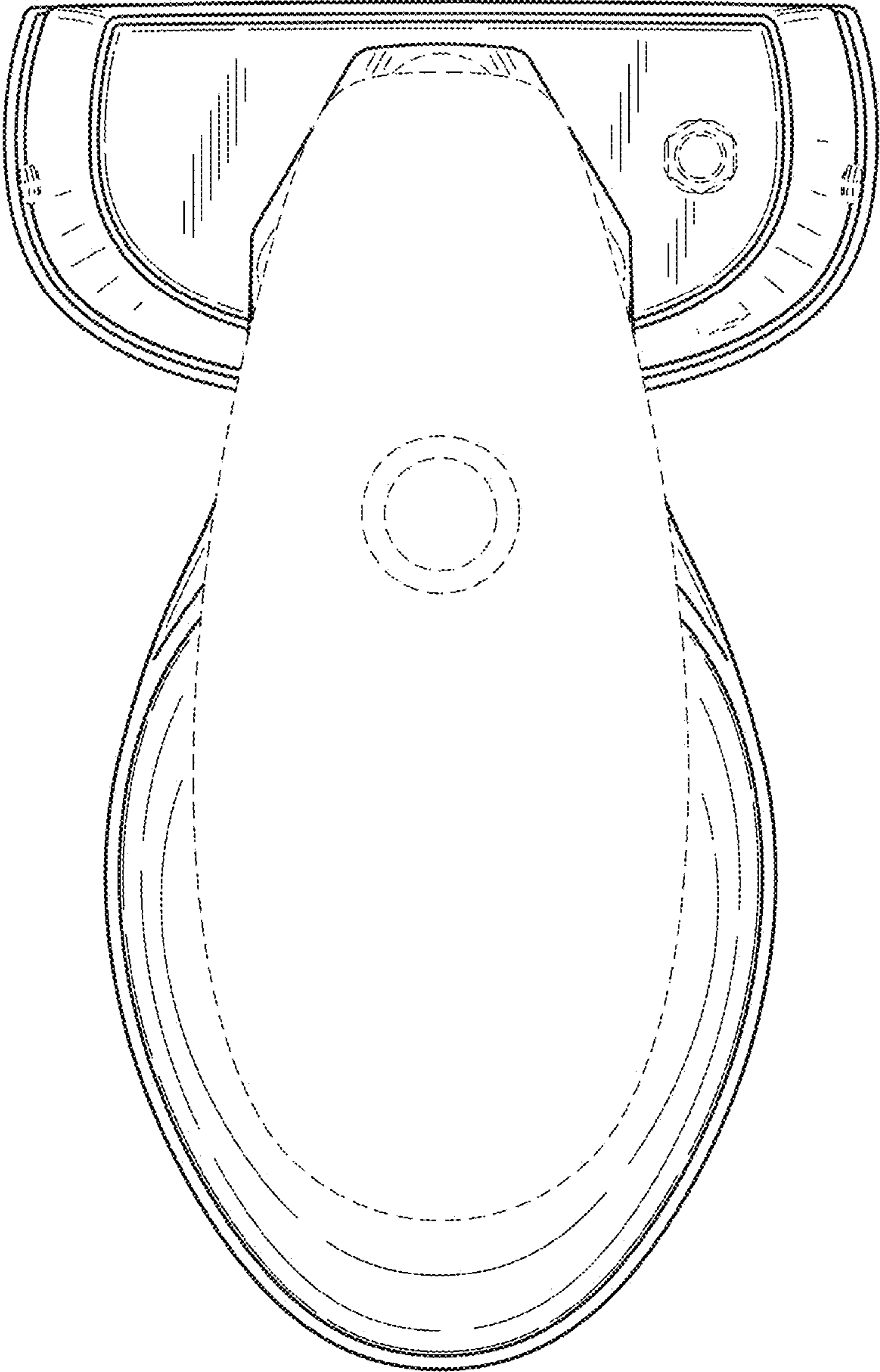


FIG. 7