



US00D892284S

(12) **United States Design Patent**  
**Healy et al.**

(10) **Patent No.:** **US D892,284 S**

(45) **Date of Patent:** **\*\* Aug. 4, 2020**

(54) **POTTY TRAINER**

(71) Applicant: **Skip Hop, Inc.**, New York, NY (US)

(72) Inventors: **John Healy**, Brooklyn, NY (US);  
**Benjamin Bearsch**, Brooklyn, NY  
(US); **Janet Villano**, Jersey City, NJ  
(US)

(73) Assignee: **SKIP HOP, INC.**, New York, NY (US)

(\*\*) Term: **15 Years**

(21) Appl. No.: **29/680,406**

(22) Filed: **Feb. 15, 2019**

(51) **LOC (12) Cl.** ..... **23-02**

(52) **U.S. Cl.**  
USPC ..... **D23/296**

(58) **Field of Classification Search**  
USPC ..... D23/296, 299, 303, 309, 301  
CPC ..... A47K 13/06  
See application file for complete search history.

(56) **References Cited**

**U.S. PATENT DOCUMENTS**

3,882,552 A \* 5/1975 Turner ..... A47K 11/023  
4/318  
D271,708 S \* 12/1983 DeGraw ..... D23/299

D302,583 S \* 8/1989 Lemmeyer ..... D23/296  
D420,110 S \* 2/2000 Vogel ..... D23/296  
6,038,711 A \* 3/2000 Clarke ..... A47K 11/04  
4/449  
D473,636 S \* 4/2003 Barry ..... D23/296  
D487,138 S \* 2/2004 Billsund ..... D23/295  
9,398,835 B2 \* 7/2016 McCarthy ..... A47K 13/06

\* cited by examiner

*Primary Examiner* — Robert A Delehanty

(74) *Attorney, Agent, or Firm* — Stephen J. Weyer, Esq.;  
Stites & Harbison, PLLC

(57) **CLAIM**

The ornamental design for a potty trainer, as shown and described.

**DESCRIPTION**

FIG. 1 is a top, front, and right side perspective view of the potty trainer of the present invention.

FIG. 2 is a top plan view thereof.

FIG. 3 is a right side elevation view of thereof.

FIG. 4 is a left side elevation view of thereof.

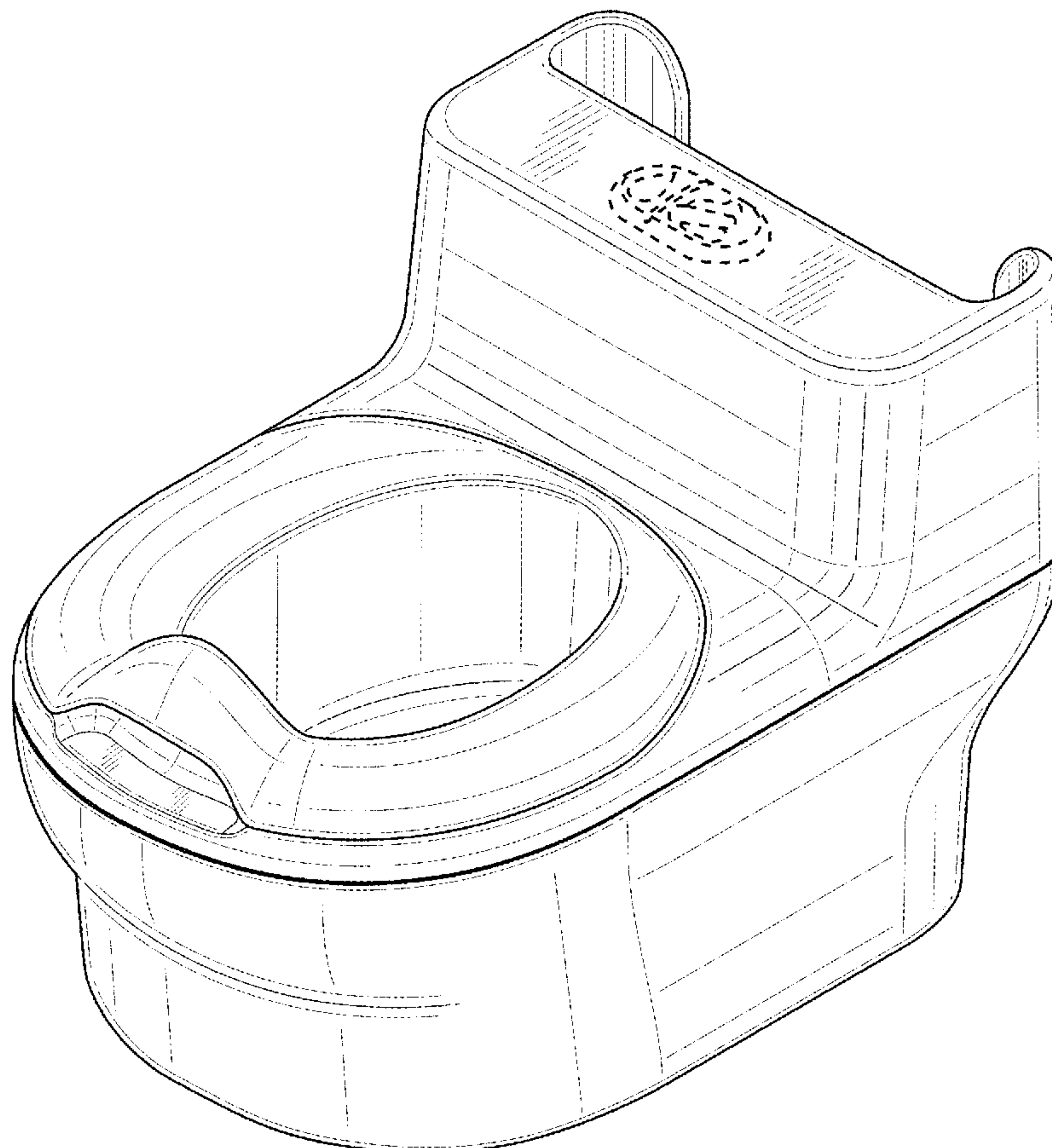
FIG. 5 is a front elevation view thereof.

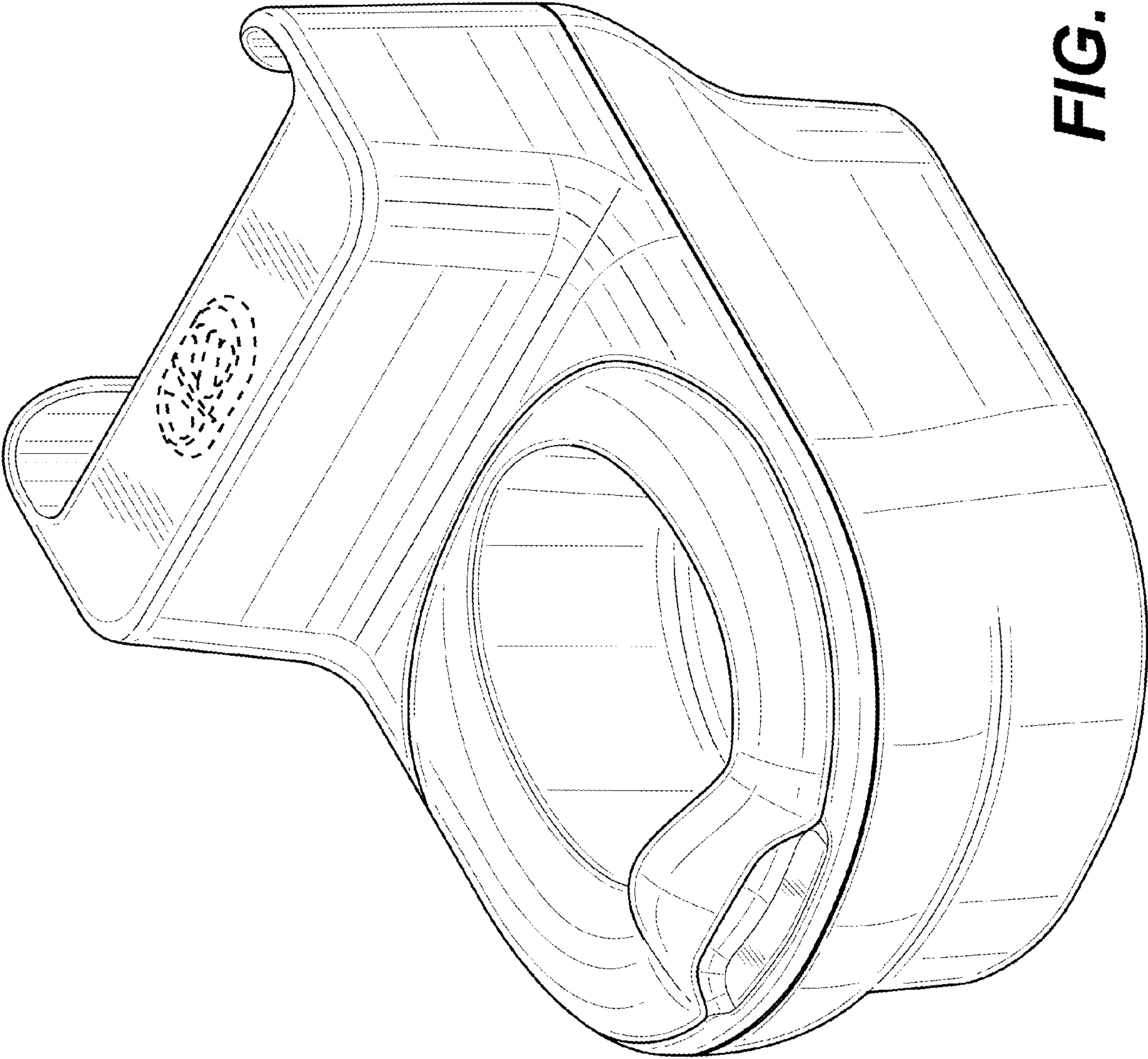
FIG. 6 is a rear elevation view thereof; and,

FIG. 7 is a top, rear, and left side perspective view thereof.

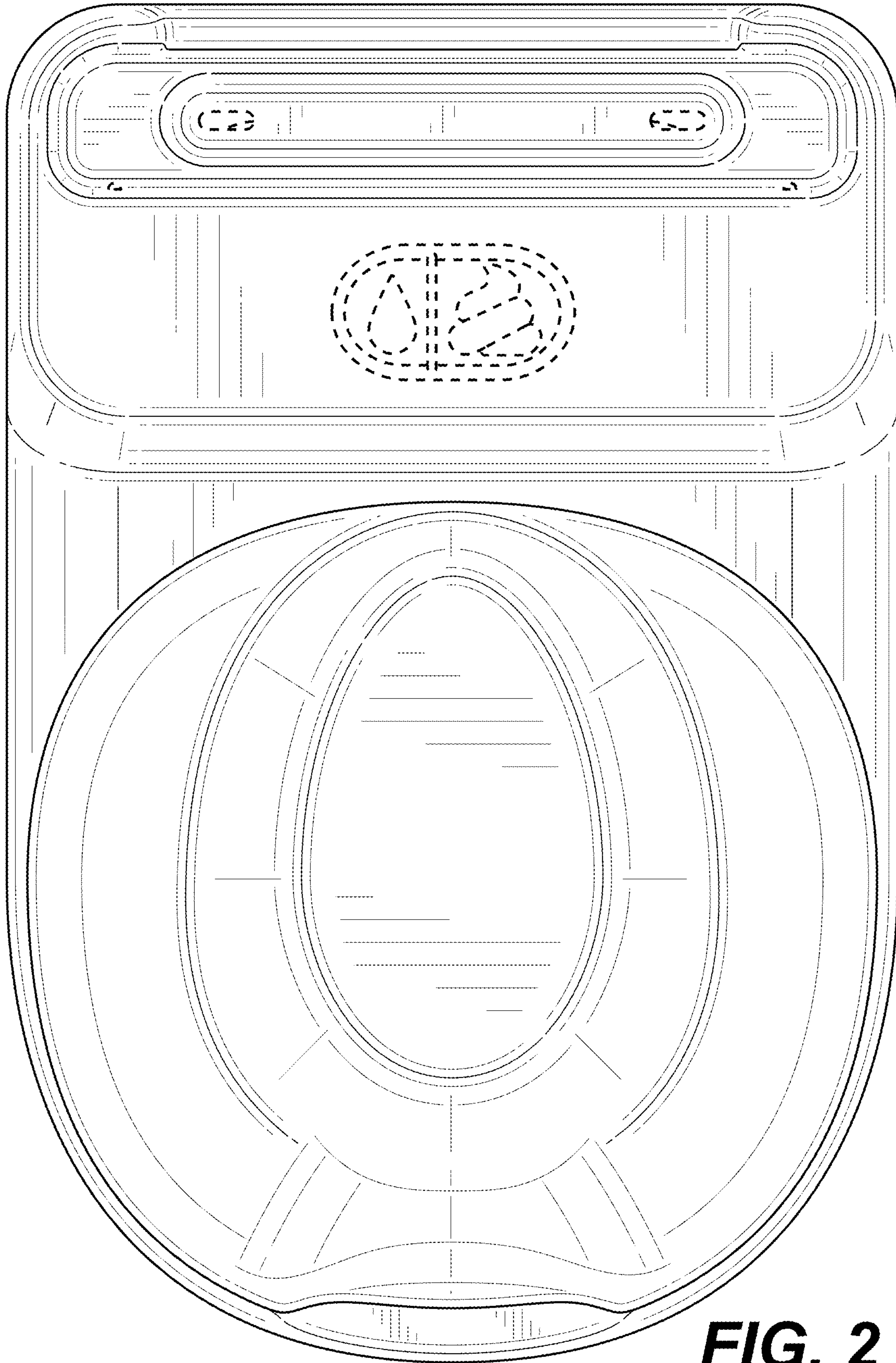
The dash-dash broken lines are included for illustrating portions of the potty trainer, and form no part of the claimed design.

**1 Claim, 7 Drawing Sheets**



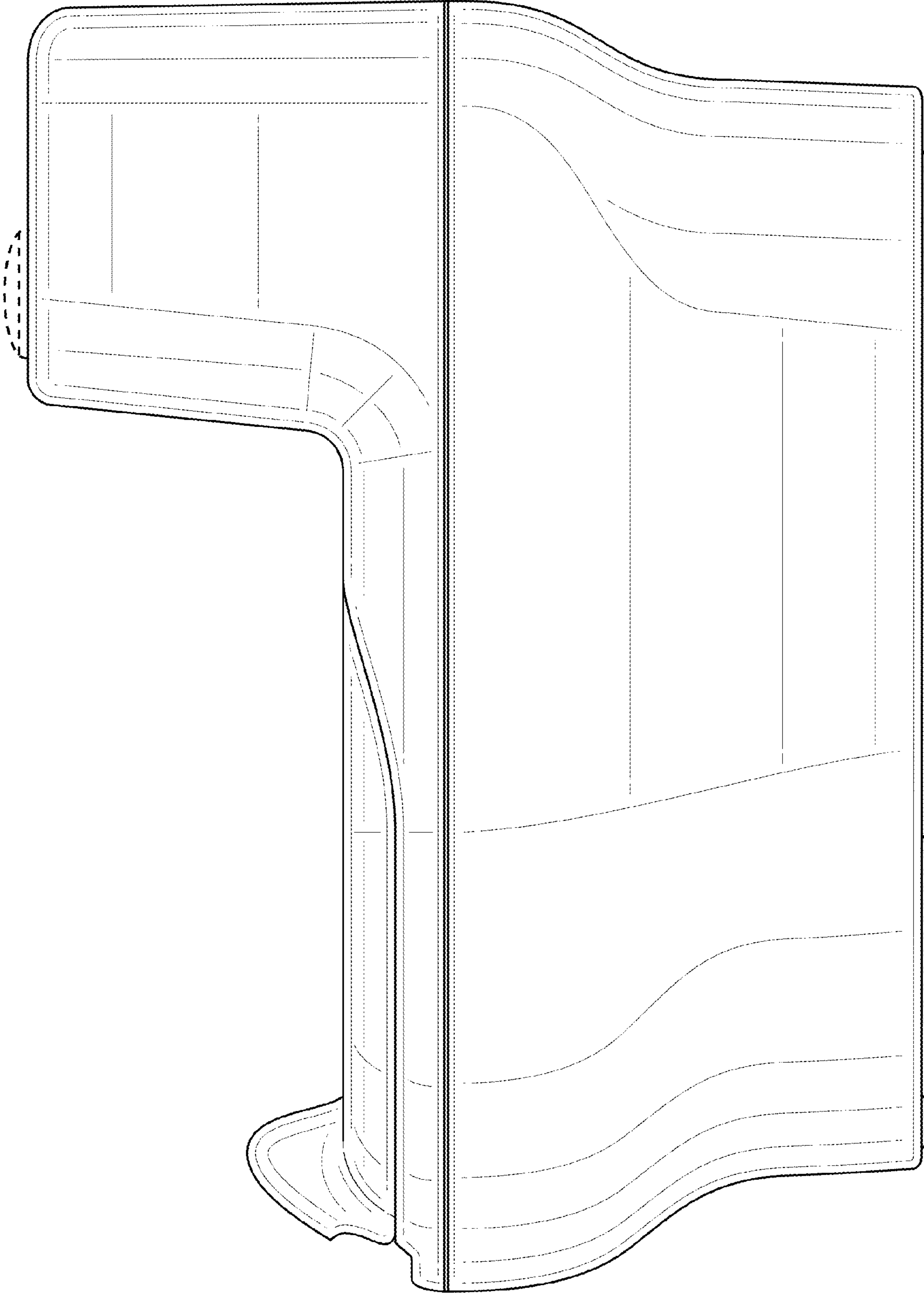


**FIG. 1**

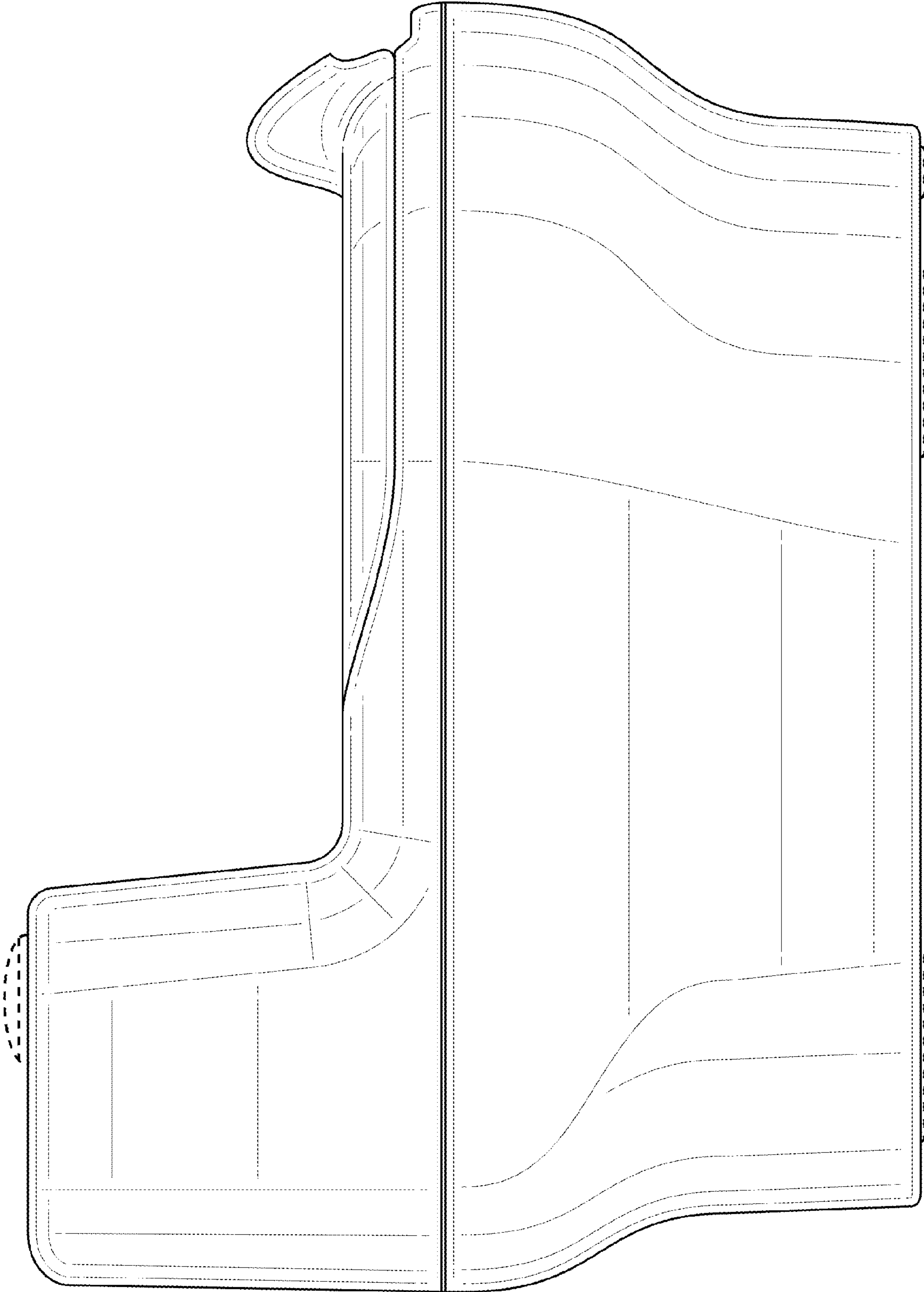


**FIG. 2**

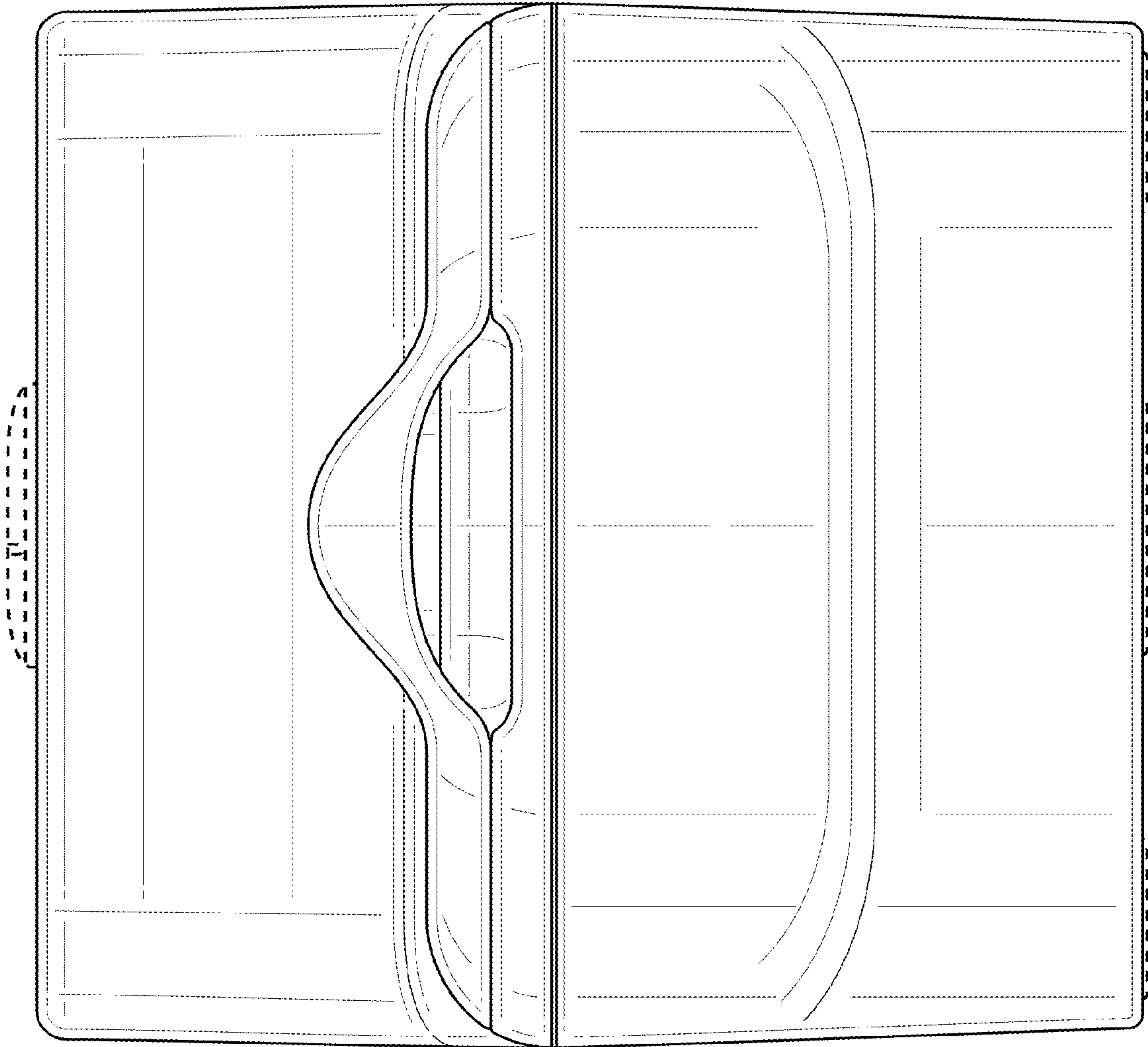




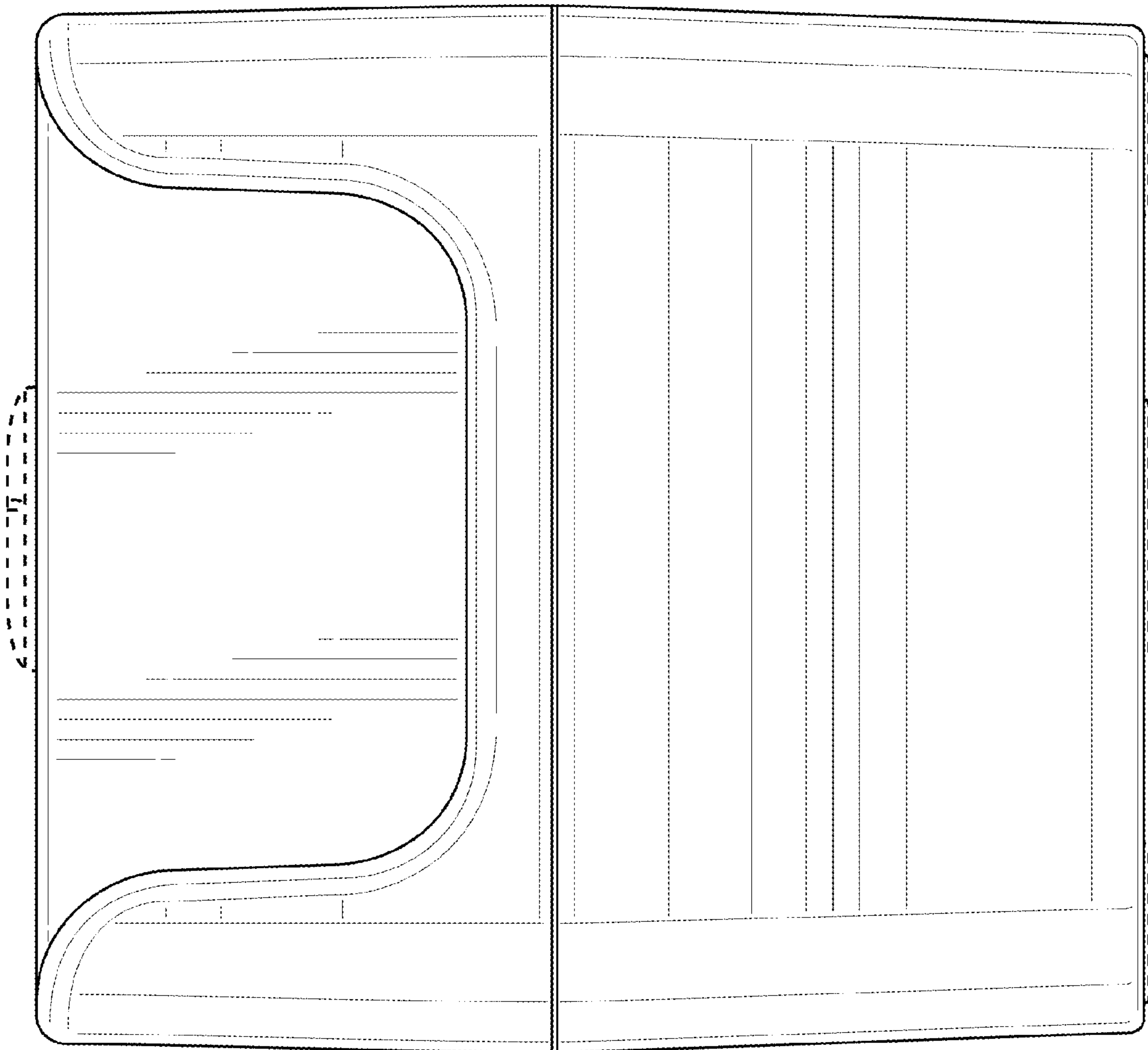
**FIG. 3**



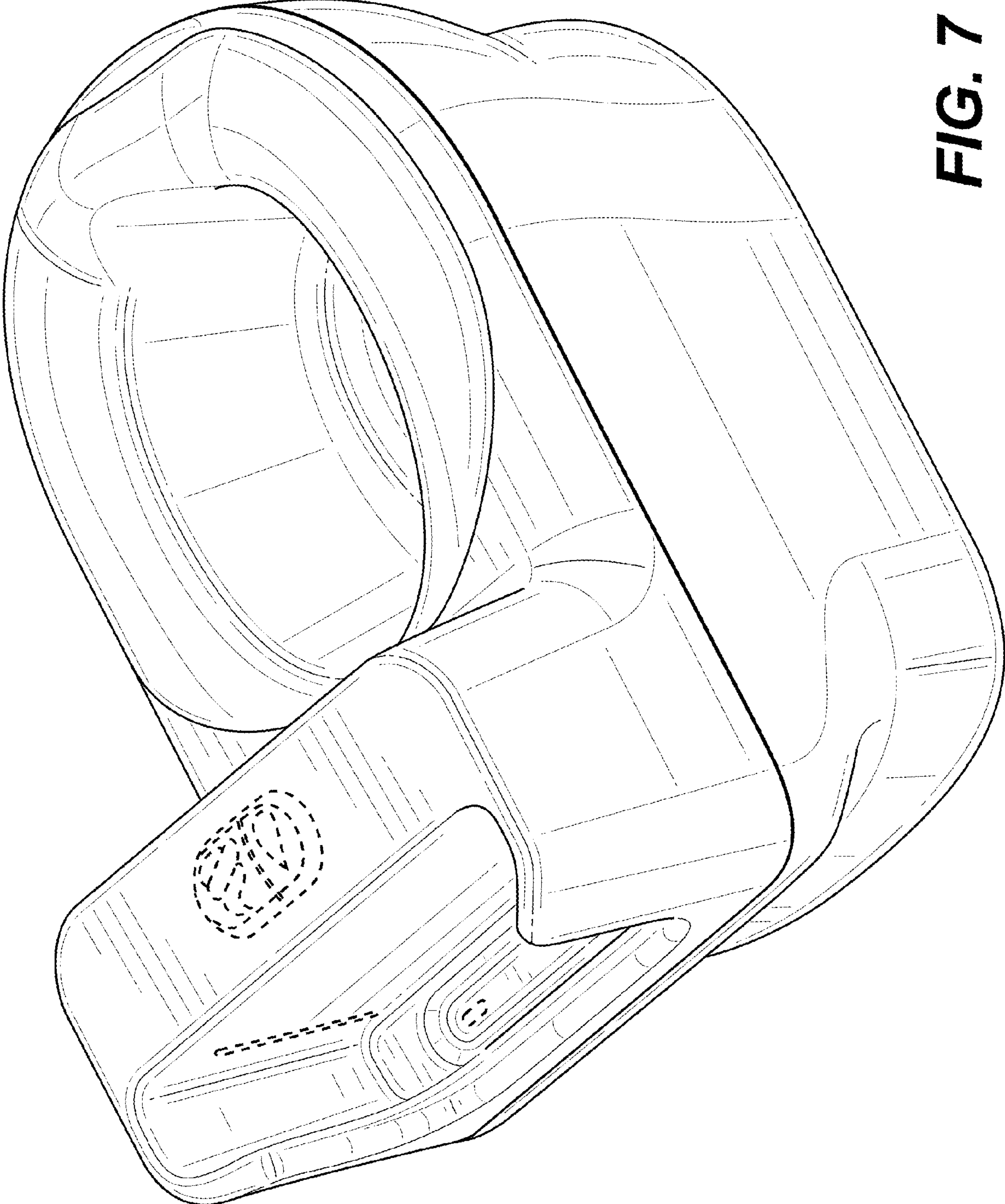
**FIG. 4**



**FIG. 5**



**FIG. 6**



**FIG. 7**