

US00D892283S

(12) **United States Design Patent** (10) **Patent No.:** **US D892,283 S**
Ellington et al. (45) **Date of Patent:** **** Aug. 4, 2020**

(54) **HAND WASHING STATION**

FOREIGN PATENT DOCUMENTS

(71) Applicant: **Splash International**, Seattle, WA (US)

DE 3021680 A1 * 12/1981 E03C 1/16
GB 4011285 * 5/2009
JP D2014-18004 * 8/2014

(72) Inventors: **Nicholas Ellington**, Seattle, WA (US);
Michael Kollins, Seattle, WA (US);
Eric Stowe, Seattle, WA (US); **Megan Williams**, Seattle, WA (US); **Benoit Collette**, Seattle, WA (US); **Clement Gallois**, Seattle, WA (US); **Markus Wierzoch**, Seattle, WA (US)

OTHER PUBLICATIONS

KiddieWash, Learn about mobile sinks for children's hand washing at Childcare Expo 2016, posted Feb. 3, 2016, [online], [visited Aug. 8, 2019]. Internet, URL: <https://kiddiwash.com/1680-preschool-hand-washing-mobile-sinks-at-childcare-expo/> (Year: 2016).*

(Continued)

(73) Assignee: **SPLASH INTERNATIONAL**, Seattle, WA (US)

Primary Examiner — Sheryl Lane

Assistant Examiner — Samantha N Wood

(**) Term: **15 Years**

(74) *Attorney, Agent, or Firm* — Lane Powell PC

(21) Appl. No.: **29/638,740**

(57) **CLAIM**

An ornamental design for a hand washing station, as shown and described.

(22) Filed: **Feb. 28, 2018**

(51) **LOC (12) Cl.** **23-02**

(52) **U.S. Cl.**

USPC **D23/284**

(58) **Field of Classification Search**

USPC ... D23/270, 284, 285, 286, 287, 293.1, 290,
D23/304, 308, 499, 271, 289; D6/524,
D6/573, 663-665; D7/543

CPC ... E03C 1/04; E03C 1/12; E03C 1/126; E03C
1/14; E03C 1/16; A47K 1/00

See application file for complete search history.

DESCRIPTION

FIG. 1 shows a perspective view of a hand washing station; FIG. 2 shows a right view of the hand washing station of FIG. 1;

FIG. 3 shows a left view of the hand washing station of FIG. 1;

FIG. 4 shows a back view of the hand washing station of FIG. 1;

FIG. 5 shows a front view of the hand washing station of FIG. 1;

FIG. 6 shows a top view of the hand washing station of FIG. 1; and,

FIG. 7 shows a bottom view of the hand washing station of FIG. 1.

The broken lines showing portions of the hand washing station are included for the purpose of illustrating the environmental structure and form no part of the claimed design.

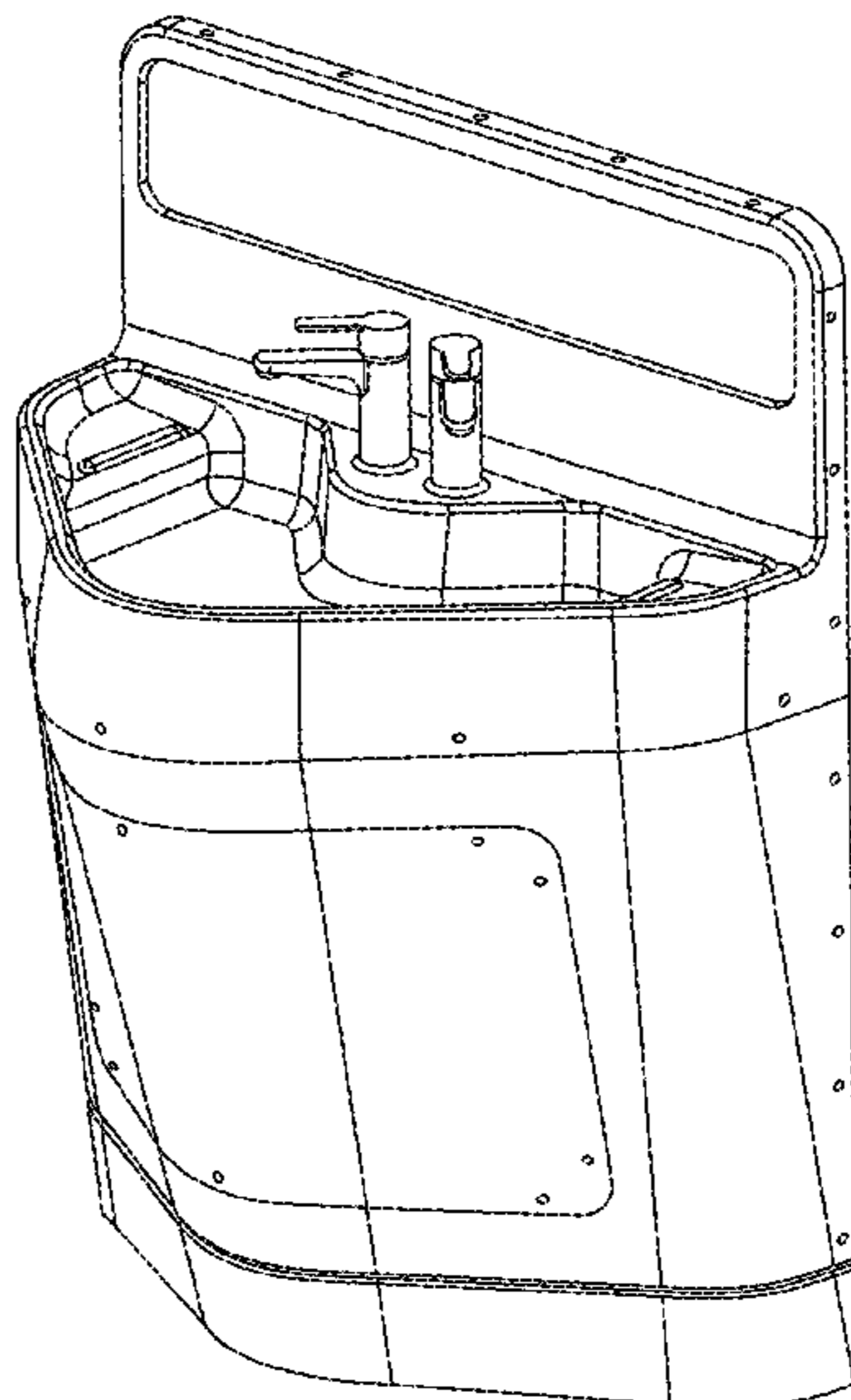
(56) **References Cited**

U.S. PATENT DOCUMENTS

D184,383 S * 2/1959 Stevens D23/286
D238,075 S * 12/1975 Harris D23/308
D315,196 S * 3/1991 Tegg D23/284
D344,830 S * 3/1994 Carter D23/271
D442,429 S * 5/2001 Liu D7/396.1
D535,728 S * 1/2007 Helmetsie D23/286

(Continued)

1 Claim, 6 Drawing Sheets



(56)

References Cited

U.S. PATENT DOCUMENTS

D708,305 S * 7/2014 Macey D23/284
D711,195 S * 8/2014 Cornu D10/46.2
D713,946 S * 9/2014 Kahle D23/289
D813,381 S * 3/2018 Pilkington D24/121

OTHER PUBLICATIONS

Comfort Zone, Stand Alone Hand Washing Stations, webarchived Aug. 22, 2016, [online], [visited Aug. 8, 2019]. Internet, URL: <https://web.archive.org/web/20160822004458/http://www.comfortzoneportables.com/stand-alone-hand-washing-stations/> (Year: 2016).*

* cited by examiner

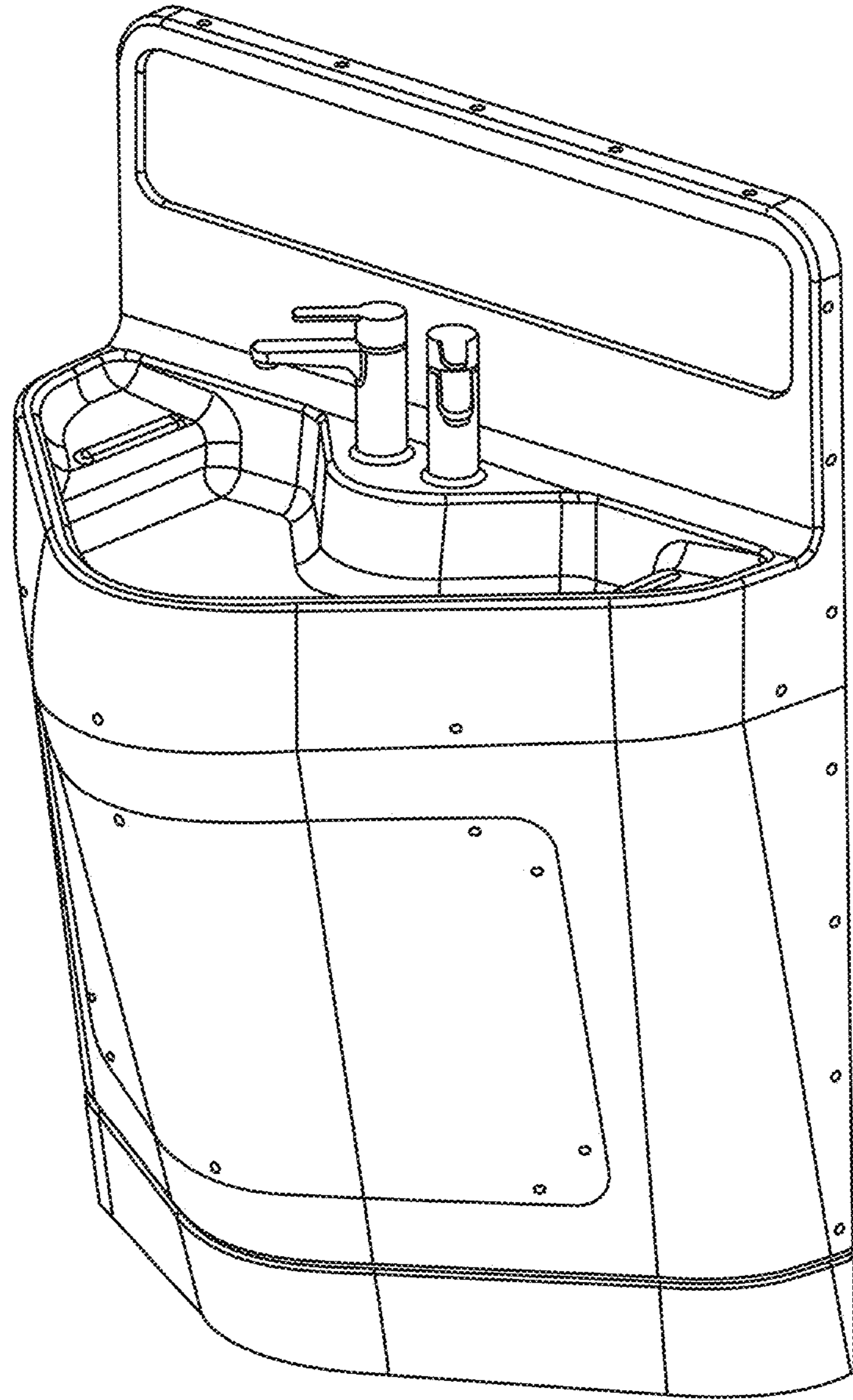


FIG. 1

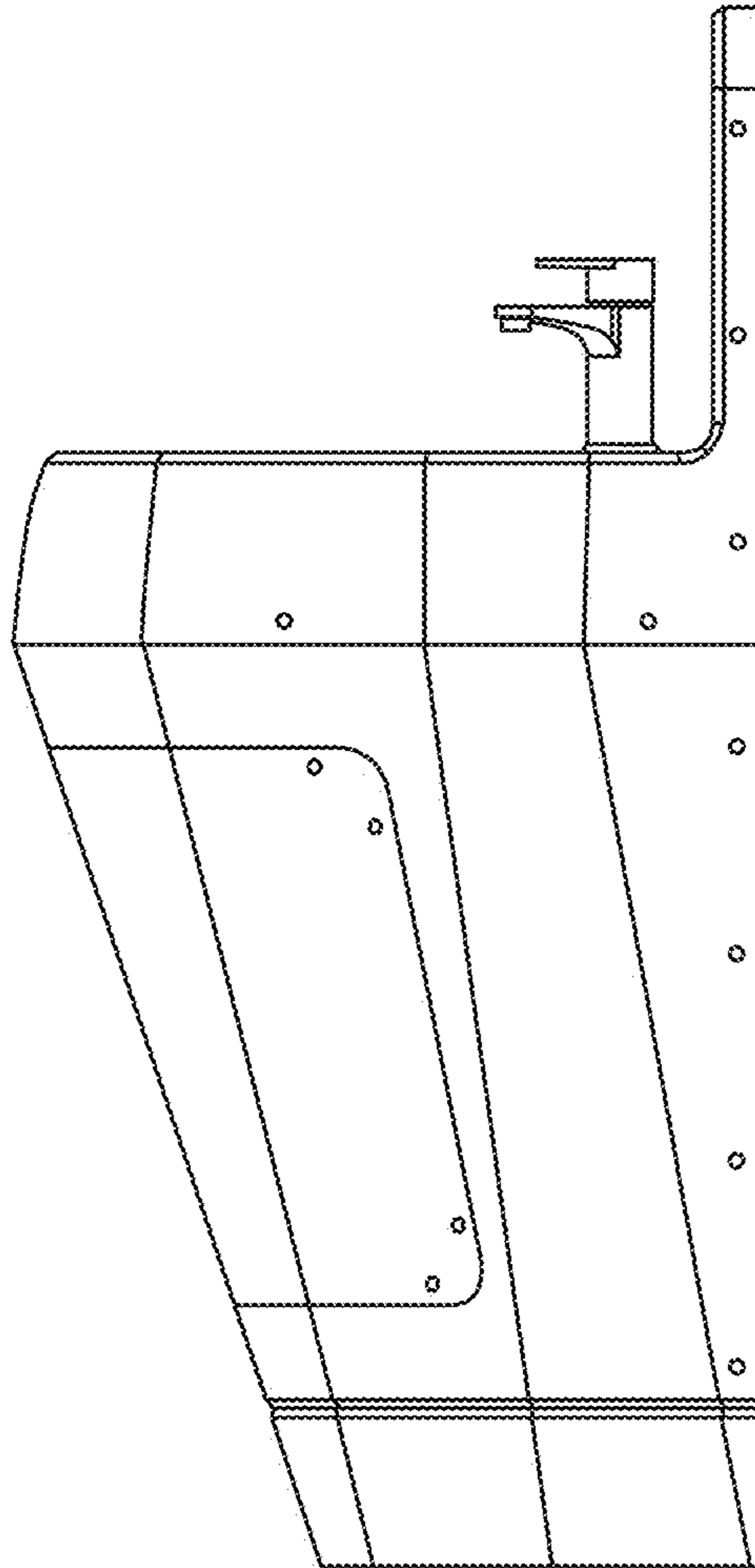


FIG. 2

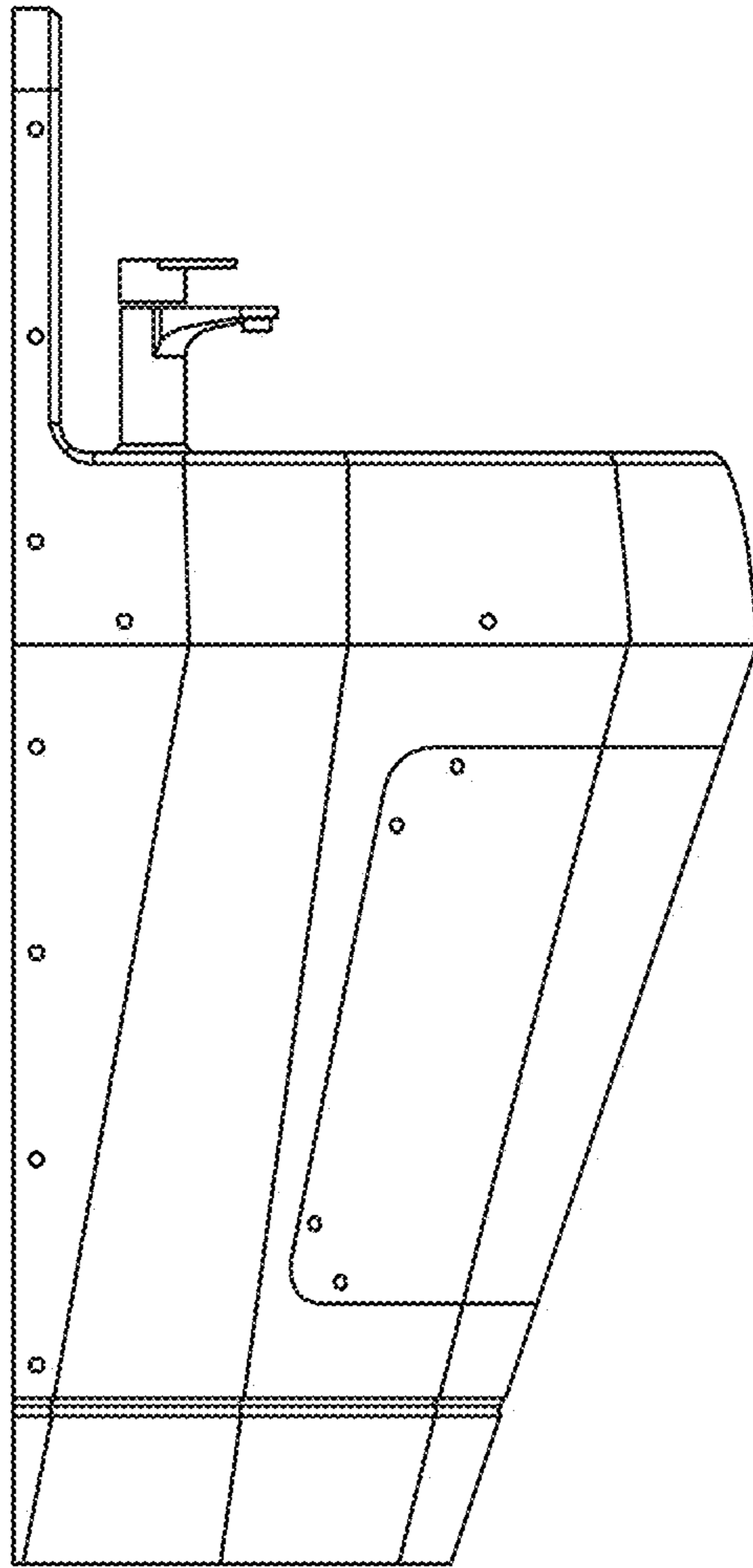


FIG. 3

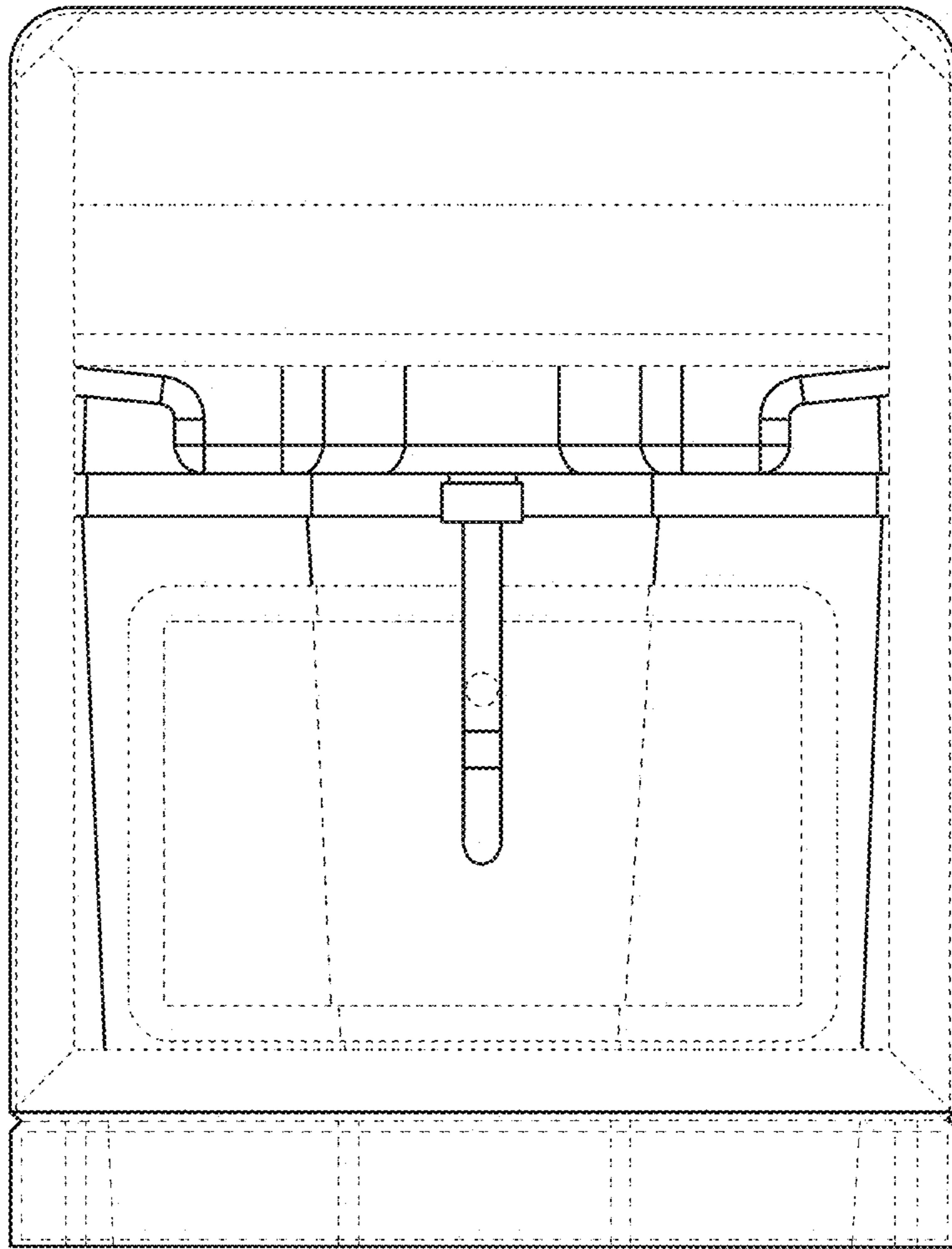


FIG. 4

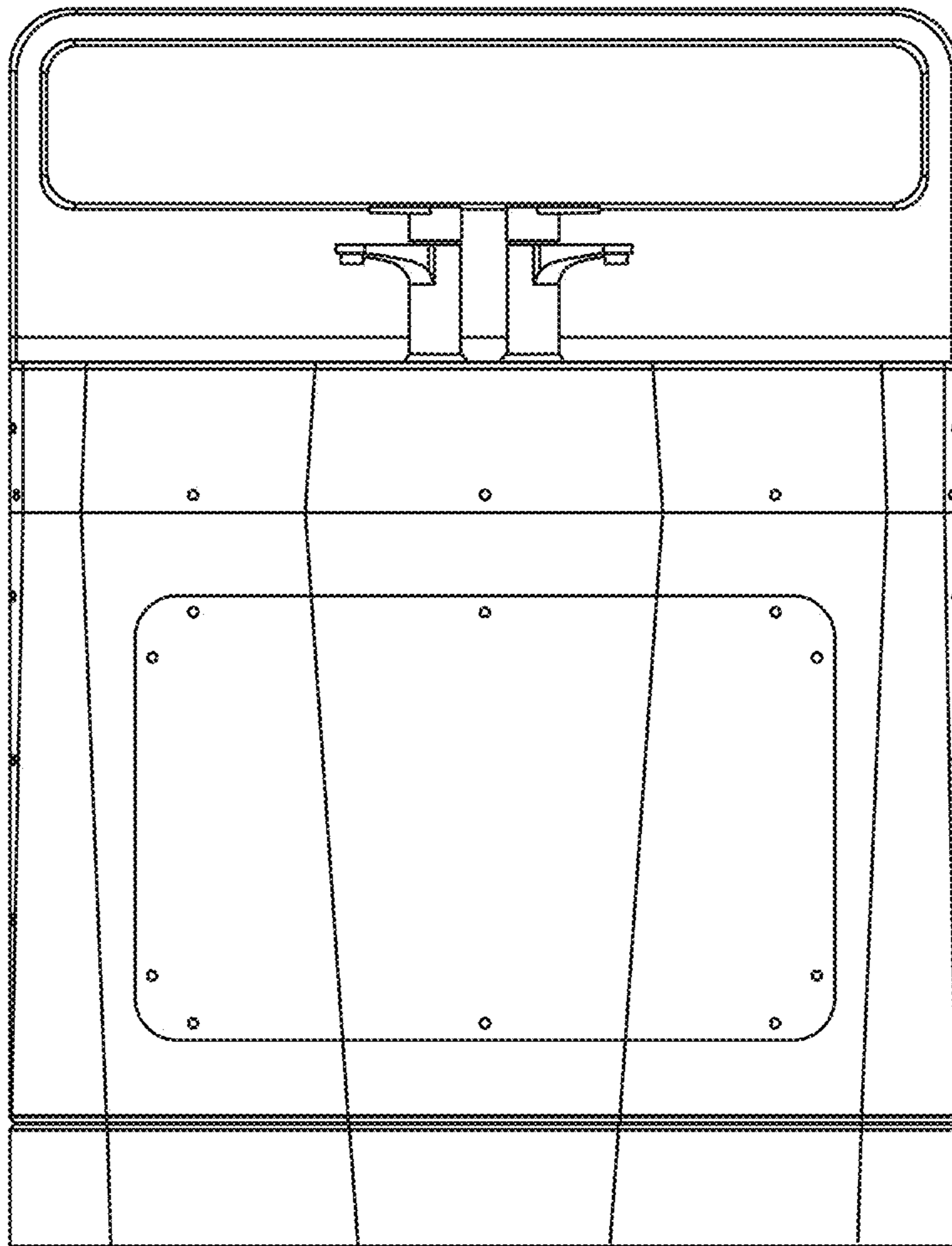


FIG. 5

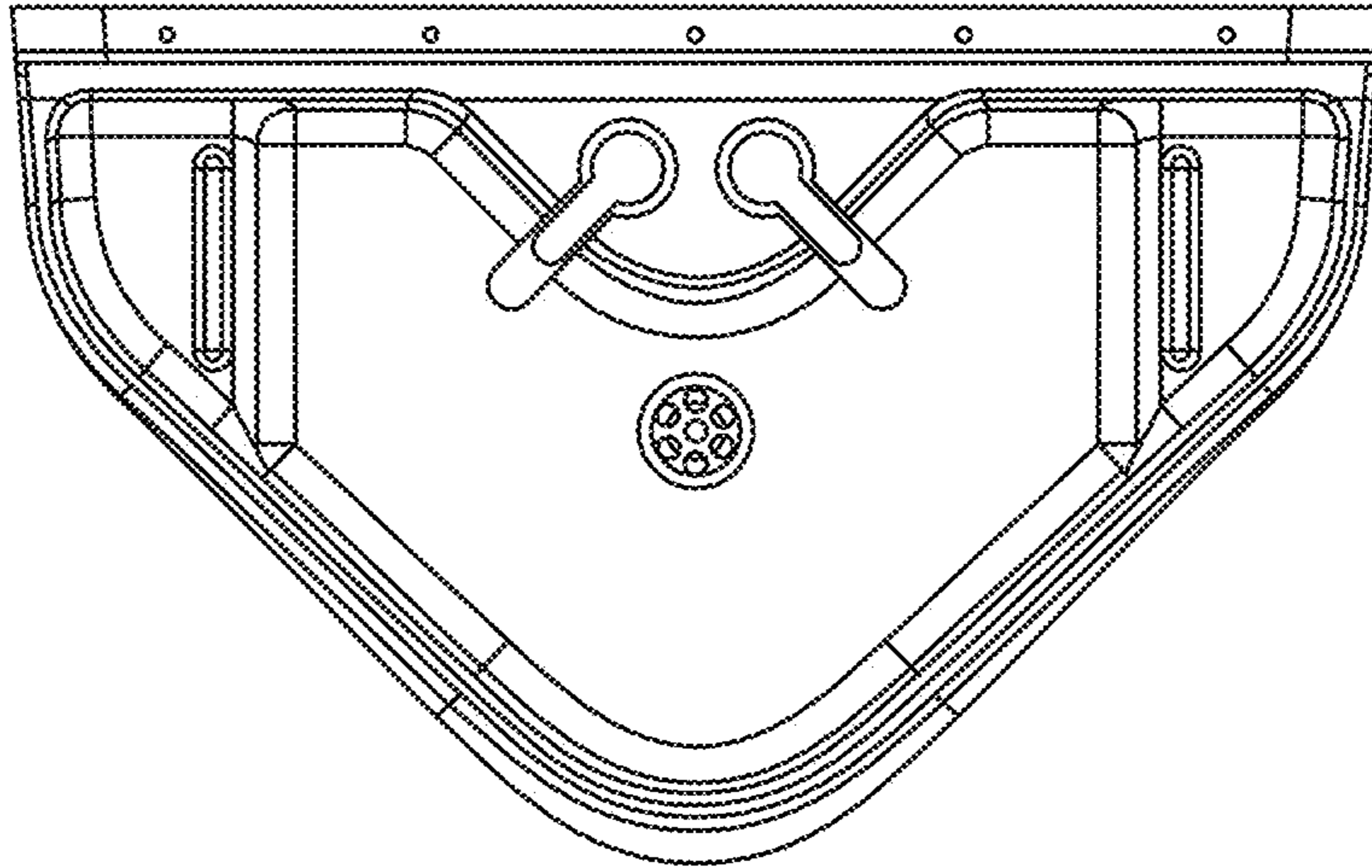


FIG. 6

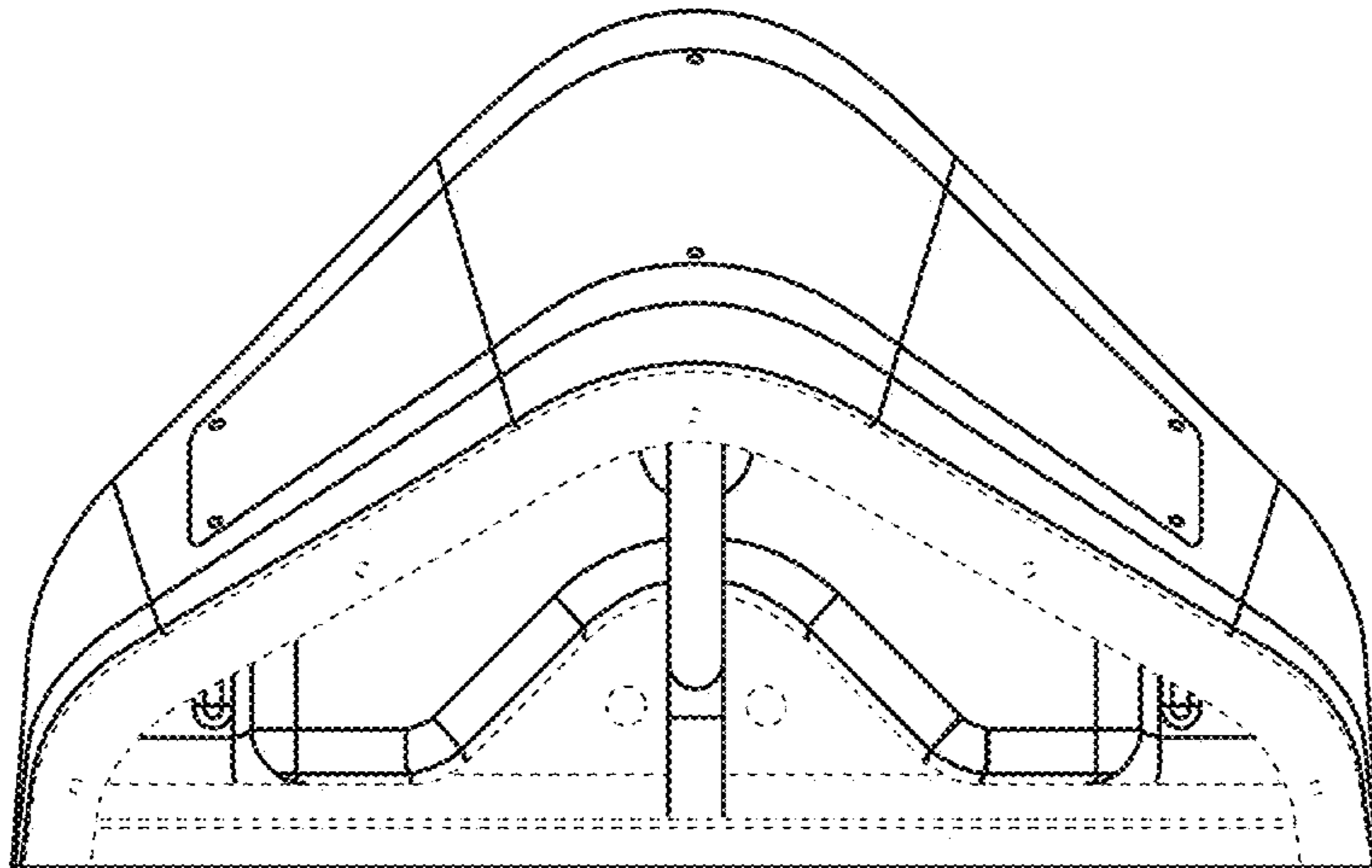


FIG. 7