



US00D892282S

(12) **United States Design Patent**
Desilets

(10) **Patent No.:** **US D892,282 S**

(45) **Date of Patent:** **** Aug. 4, 2020**

(54) **AIR CONDITIONING DRAIN LINE TRAP**

(71) Applicant: **Brian Desilets**, Simpsonville, KY (US)

(72) Inventor: **Brian Desilets**, Simpsonville, KY (US)

(**) Term: **15 Years**

(21) Appl. No.: **29/658,939**

(22) Filed: **Aug. 3, 2018**

(51) **LOC (12) Cl.** **23-01**

(52) **U.S. Cl.**

USPC **D23/268**

(58) **Field of Classification Search**

USPC D23/355-356, 259, 268, 332-333,
D23/335-336, 342, 351-352, 354,
D23/357-366, 369, 262, 266, 314, 323,
D23/370-371, 387; 422/120, 122;
55/356, 473, 504; 261/DIG. 17, DIG. 31,
261/DIG. 65, DIG. 88; 137/154, 599.03;
62/290, 285

CPC B01D 2221/02; B01D 2259/4508
See application file for complete search history.

(56) **References Cited**

U.S. PATENT DOCUMENTS

D198,063 S * 4/1964 Terry, Jr. D23/351
D207,753 S * 5/1967 Fraser D23/357
3,327,605 A * 6/1967 Spoomaker F24F 13/26
454/264
4,051,859 A * 10/1977 Hoffman F24F 13/22
137/154
D253,845 S * 1/1980 Morrow D23/357
D283,265 S * 4/1986 Preskey D34/28

5,122,168 A * 6/1992 Torres B01D 47/027
55/434
D601,231 S * 9/2009 Weltman D23/268
D800,283 S * 10/2017 Boxum D23/351
D812,207 S * 3/2018 Terasaki D23/351
2008/0099083 A1 * 5/2008 Nishimoto E03C 1/288
137/533
2009/0031746 A1 * 2/2009 Kelly F24F 13/222
62/275
2009/0050546 A1 * 2/2009 Nishimoto E03C 1/288
210/126
2016/0320088 A1 11/2016 Lau

* cited by examiner

Primary Examiner — Amy C Wierenga

(74) *Attorney, Agent, or Firm* — Middleton Reutlinger

(57) **CLAIM**

The ornamental design for an air conditioning drain line trap, as shown and described.

DESCRIPTION

FIG. 1 is an upper perspective view of an air conditioning drain line trap design;

FIG. 2 is a front view of the design of FIG. 1;

FIG. 3 is a first side view of the design of FIG. 1;

FIG. 4 is a second side view of the design of FIG. 1;

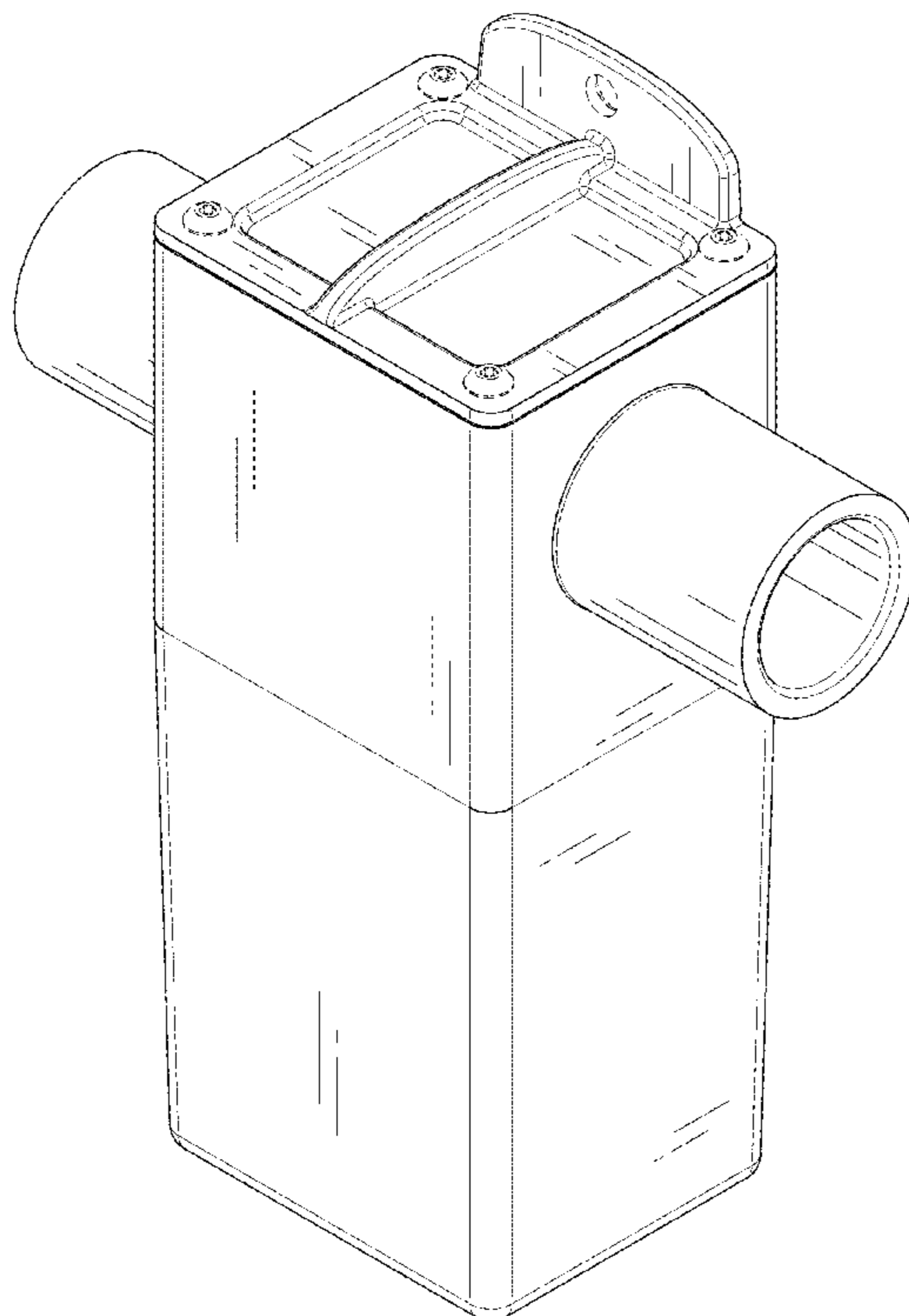
FIG. 5 is a rear view of the design of FIG. 1;

FIG. 6 is a top view of the design of FIG. 1; and,

FIG. 7 is a bottom view of the design of FIG. 1.

The broken line disclosure represents unclaimed portions of the air conditioning drain line trap in which the design is embodied.

1 Claim, 7 Drawing Sheets



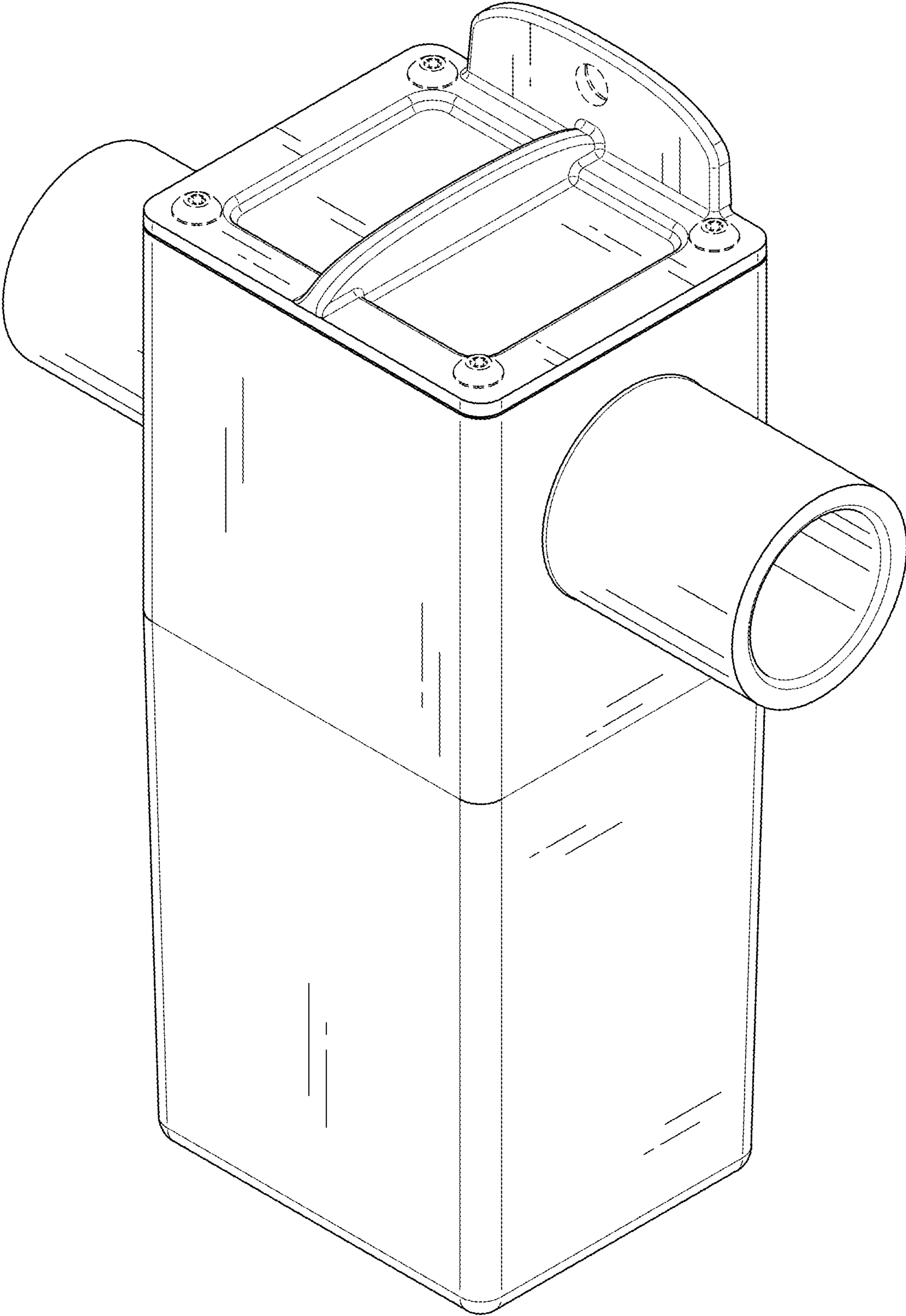


FIG. 1

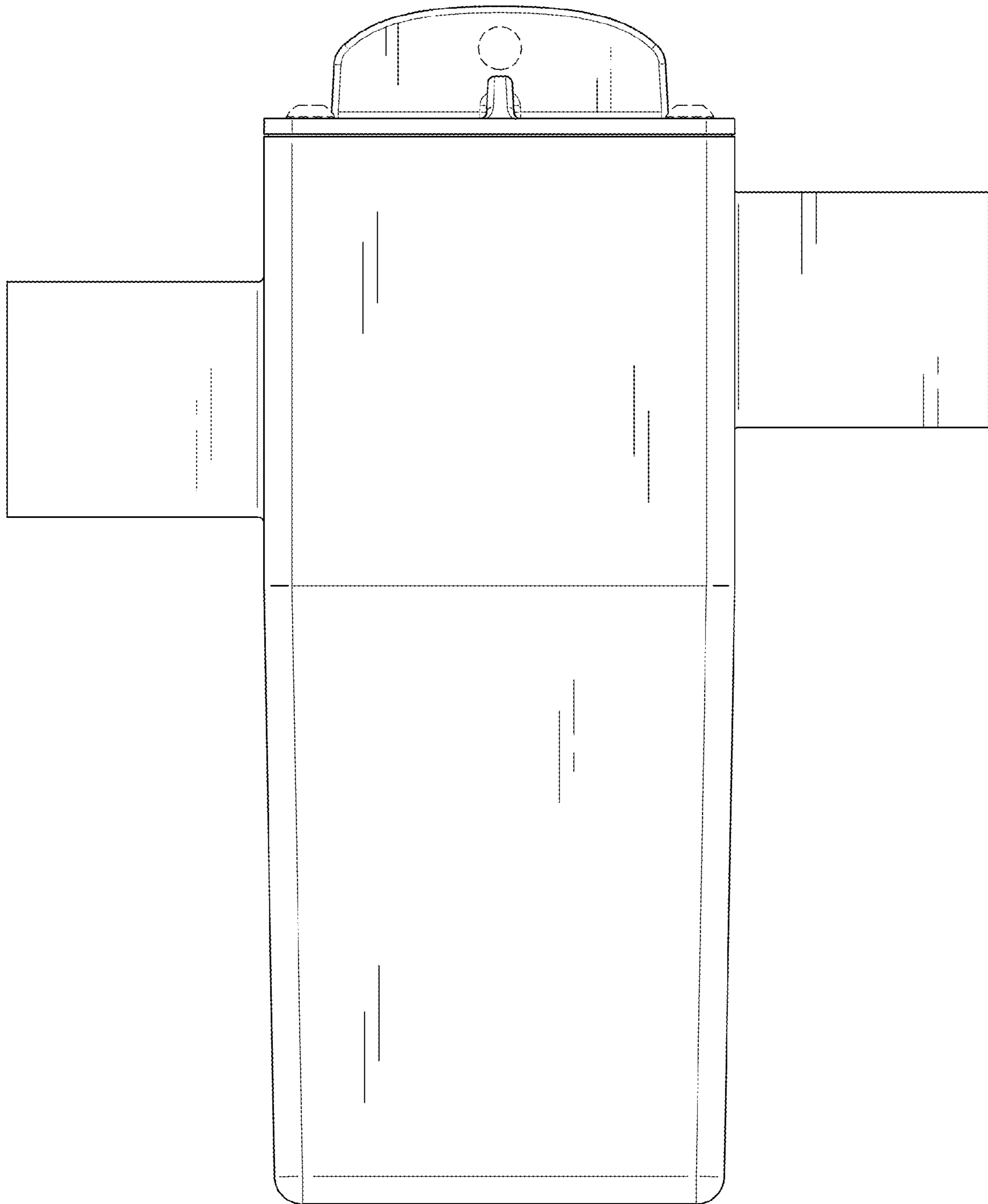


FIG. 2

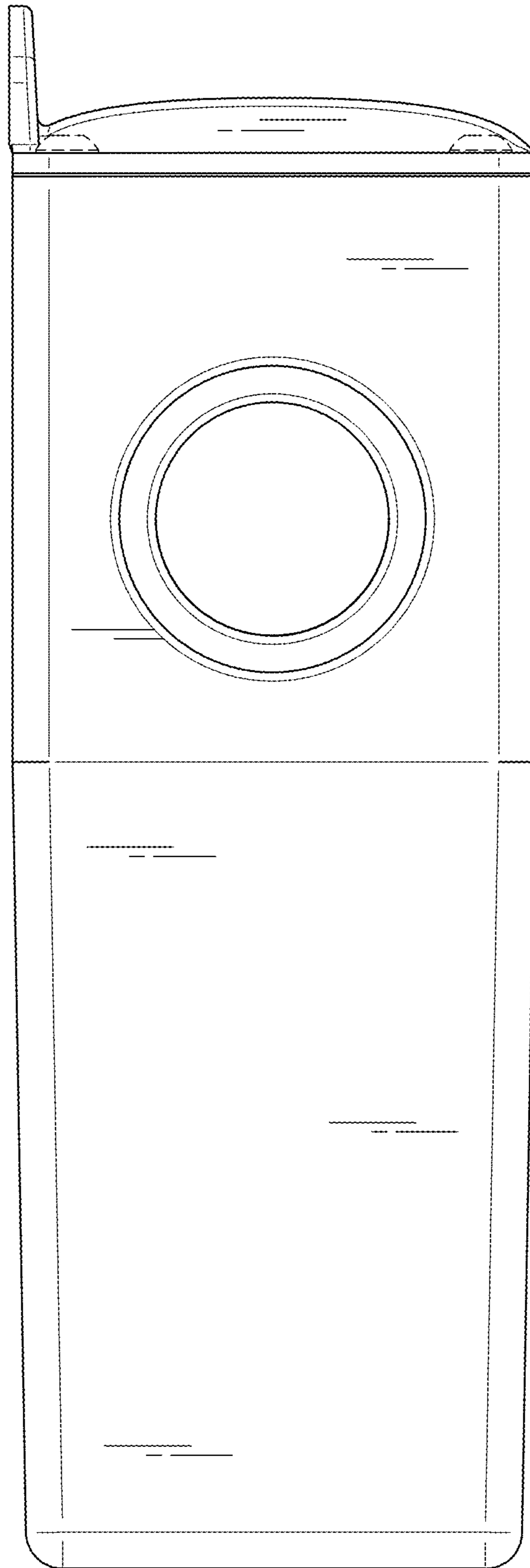


FIG. 3

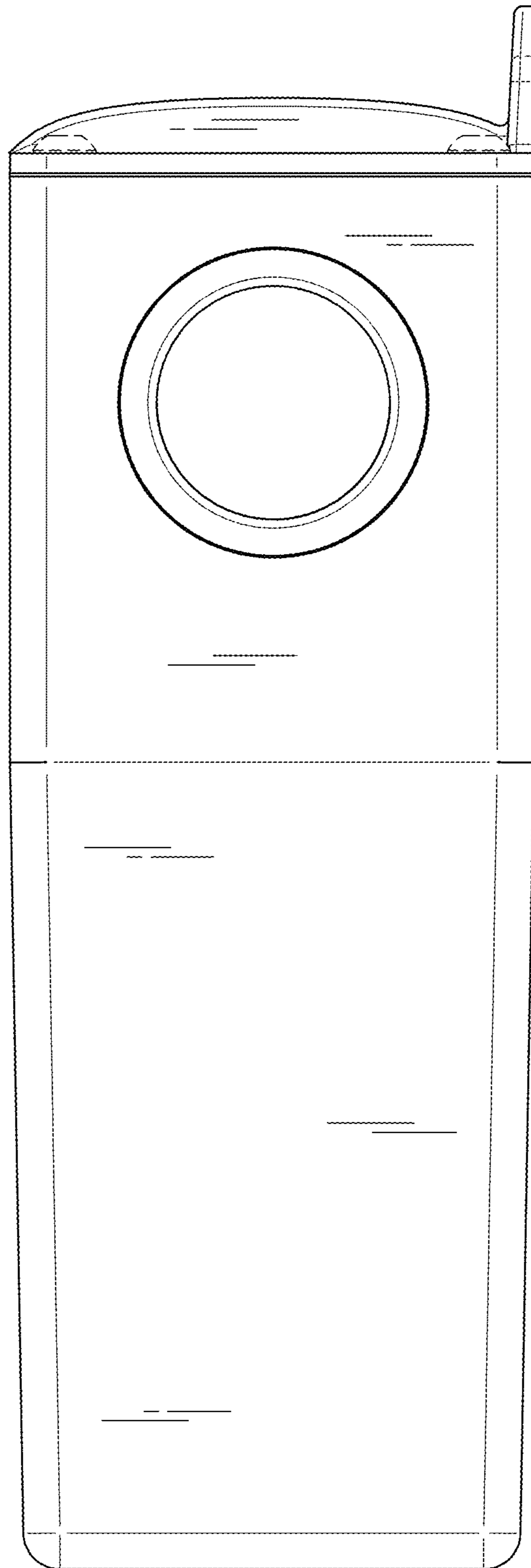


FIG. 4

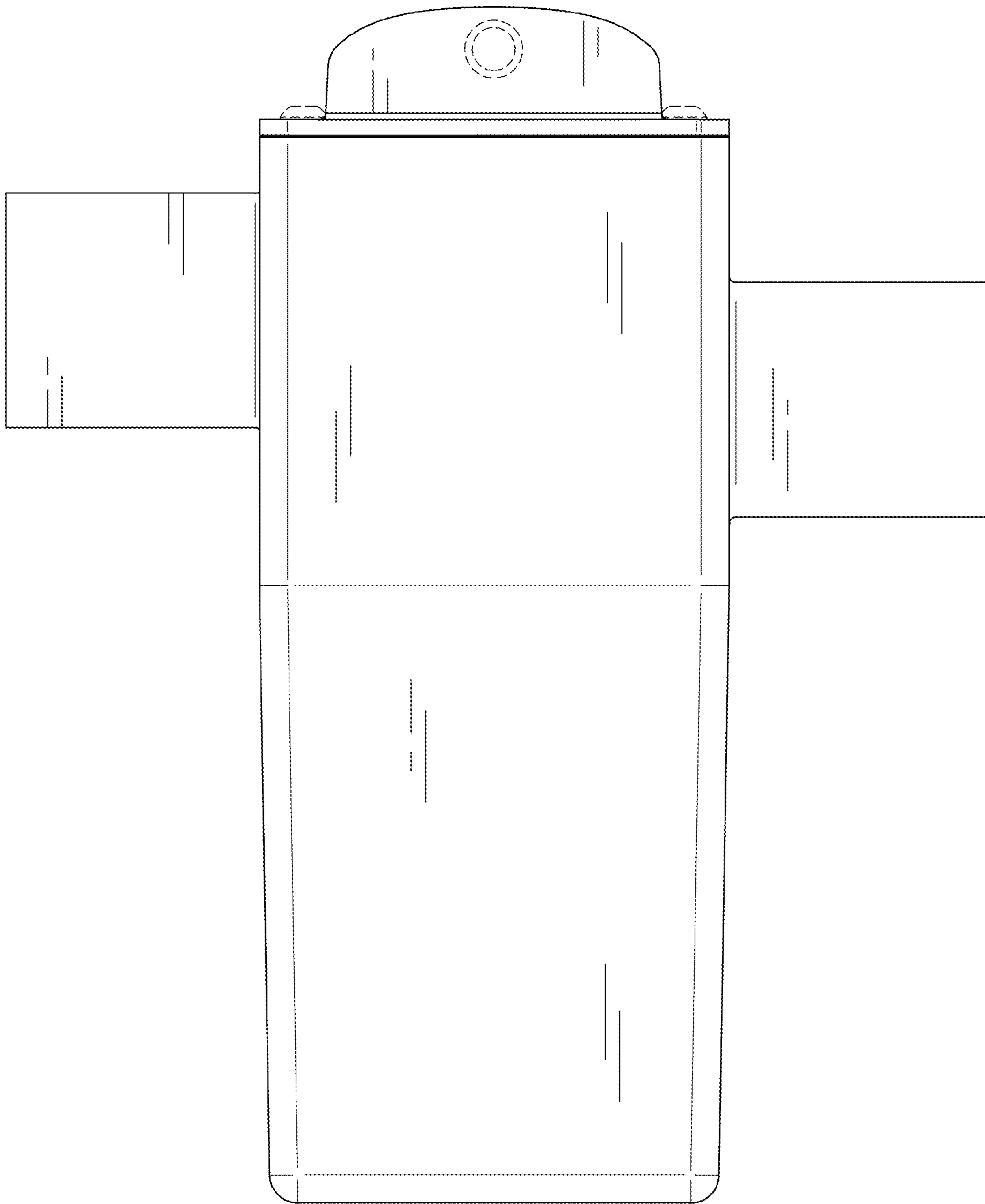


FIG. 5

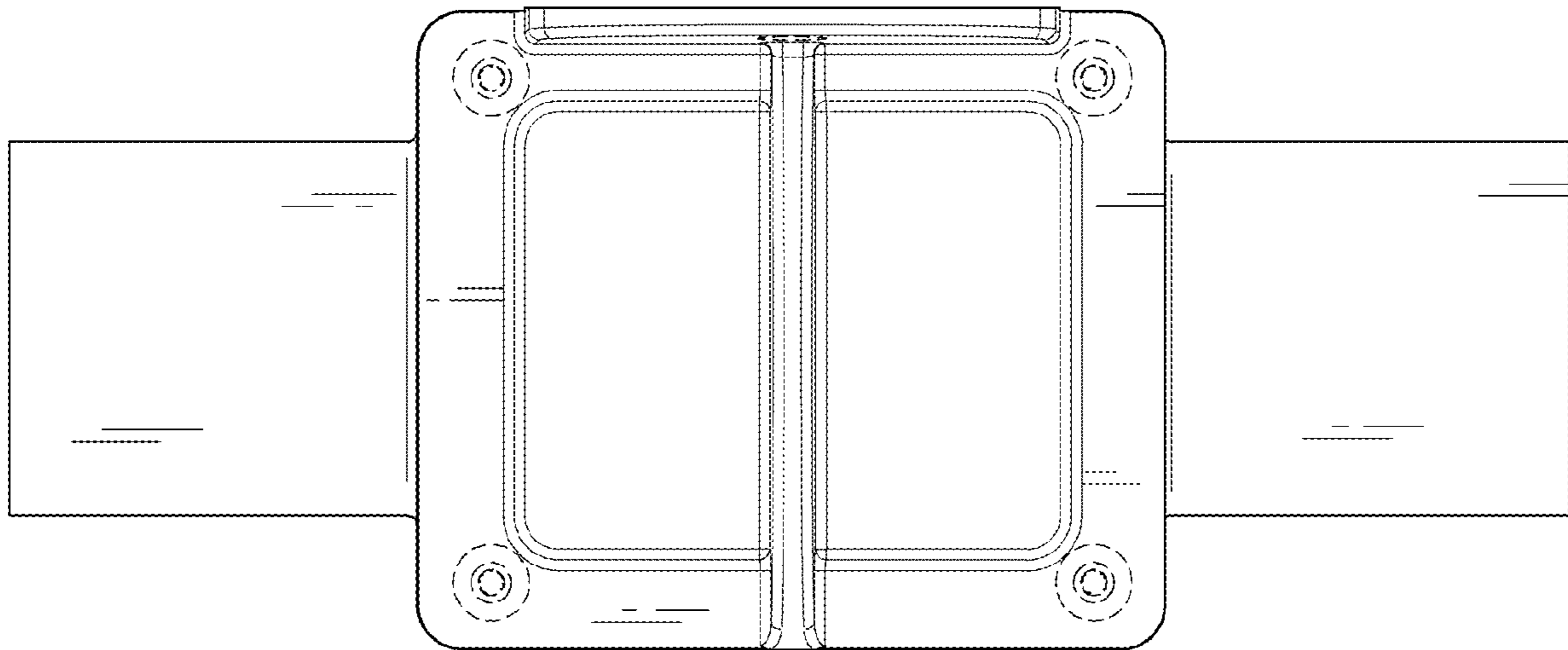


FIG. 6

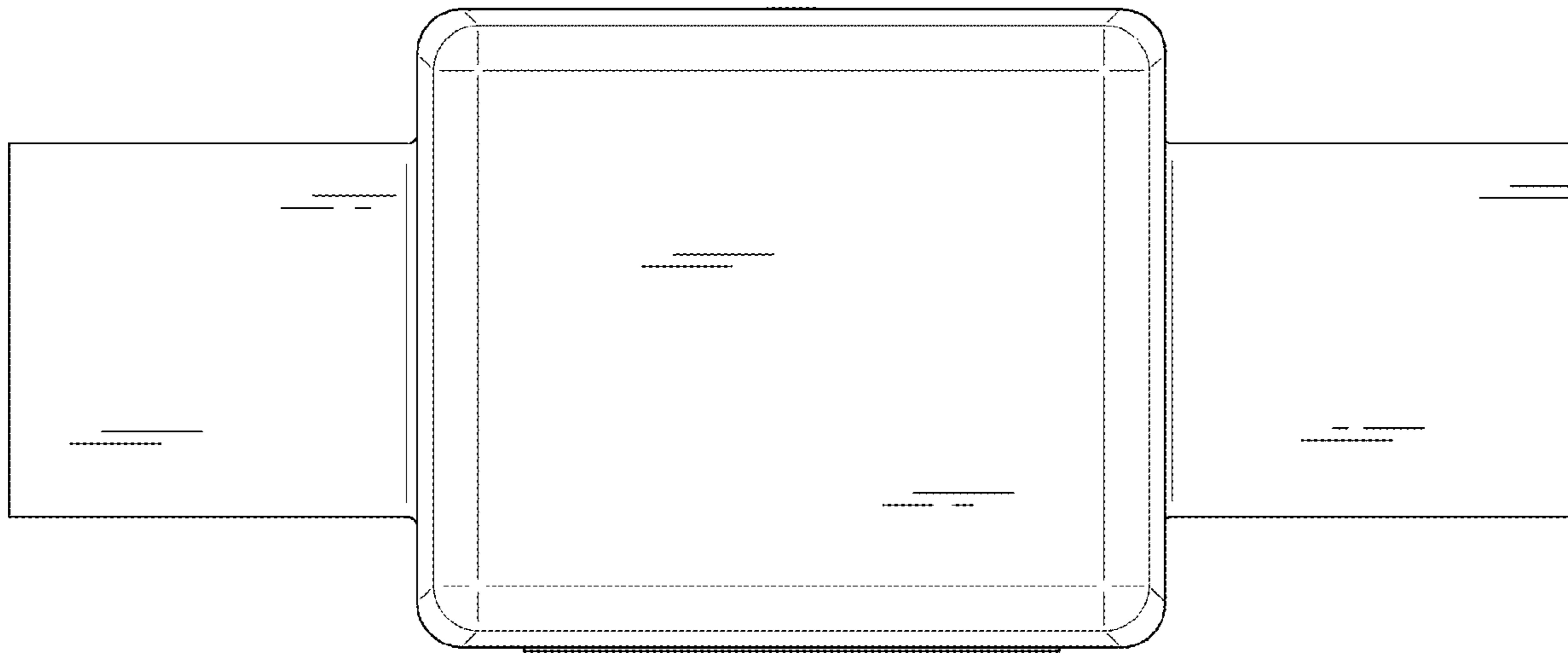


FIG. 7