



US00D892280S

(12) **United States Design Patent** (10) **Patent No.:** **US D892,280 S**
Lee et al. (45) **Date of Patent:** **** Aug. 4, 2020**

(54) **CONNECTOR FOR FIRE PIPE** 6,687,926 B1 * 2/2004 Bayley E03C 1/22
 4/681
 (71) Applicant: **NEW ASIAJOINT CO., LTD,** D549,805 S * 8/2007 Quach D23/268
 Gyeonggi-do (KR) 9,714,504 B2 * 7/2017 Bird E03C 1/24
 9,896,827 B1 * 2/2018 Hsieh E03C 1/232
 (72) Inventors: **Sang-Heon Lee,** Seoul (KR); **Dong-II** 2007/0057502 A1 * 3/2007 Shafik E03C 1/122
Han, Gyeonggi-do (KR) 285/121.3
 2016/0177554 A1 * 6/2016 Yu E03C 1/232
 4/685

(73) Assignee: **New Asiajoint Co., LTD.,** Gyeonggi-do (KR)

(**) Term: **15 Years**

(21) Appl. No.: **29/657,112**

(22) Filed: **Jul. 19, 2018**

(30) **Foreign Application Priority Data**

Apr. 13, 2018 (KR) 30 2018 001 7355

(51) **LOC (12) Cl.** **23-01**

(52) **U.S. Cl.**
 USPC **D23/268; D23/263**

(58) **Field of Classification Search**
 USPC D23/259, 268, 262, 266, 213–214,
 D23/263–265; 138/39, 104, 106, 109, 38,
 138/89–90; 137/198, 210; 403/104;
 285/125.1, 126.1, 129.1, 129.2, 132.1,
 285/147.1, 148.19, 179, 179.1, 180, 181,
 285/184–185; 4/256.1, 679, 681, 685,
 4/686, 687, 696

CPC F16L 41/00
 See application file for complete search history.

(56) **References Cited**

U.S. PATENT DOCUMENTS

938,102 A * 10/1909 Wise E03C 1/24
 4/680
 2,742,928 A * 4/1956 Luzynski F16L 55/055
 137/533.21
 D354,553 S * 1/1995 Lange D23/263

FOREIGN PATENT DOCUMENTS

JP 60 126 648 8/1985
 JP H06 134 045 5/1994

OTHER PUBLICATIONS

Japanese Patent Office; “Notification of Reasons for Refusal,” JP Design Application No. 2018-015381; dated Mar. 18, 2019.

* cited by examiner

Primary Examiner — Amy C Wierenga
 (74) *Attorney, Agent, or Firm* — Emerson Thomson
 Bennett, LLC; Daniel A. Thomson

(57) **CLAIM**

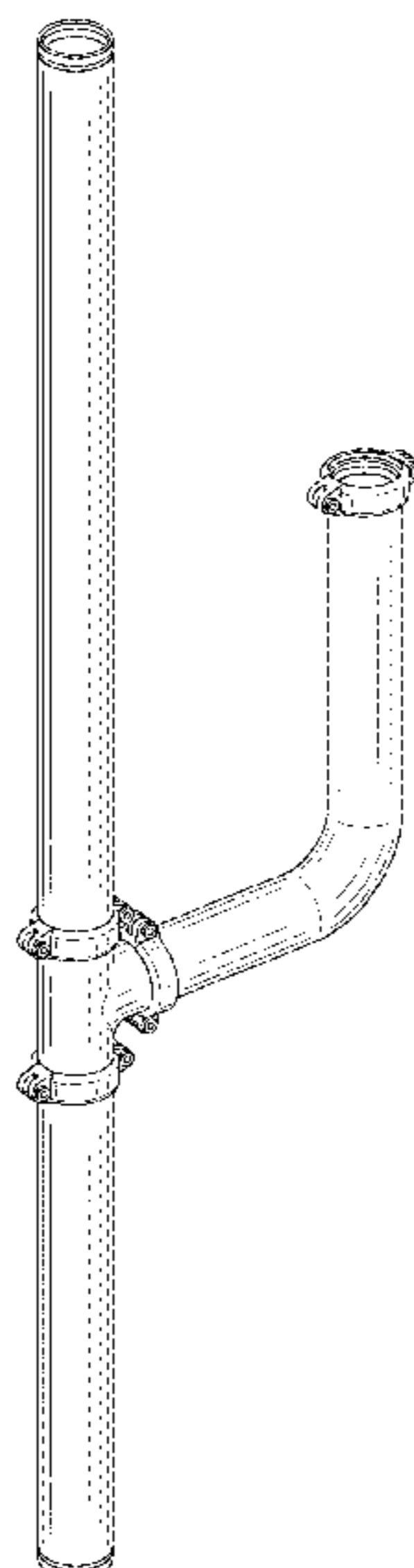
The ornamental design for a connector for fire pipe, as shown and described.

DESCRIPTION

FIG. 1 is a perspective view of the connector for fire pipe;
 FIG. 2 is a front view;
 FIG. 3 is a rear view;
 FIG. 4 is a left side view;
 FIG. 5 is a right side view;
 FIG. 6 is a top plan view; and,
 FIG. 7 is a bottom view.

The broken lines are for illustrative purposes only and form no part of the claimed design or a specified embodiment thereof.

1 Claim, 5 Drawing Sheets



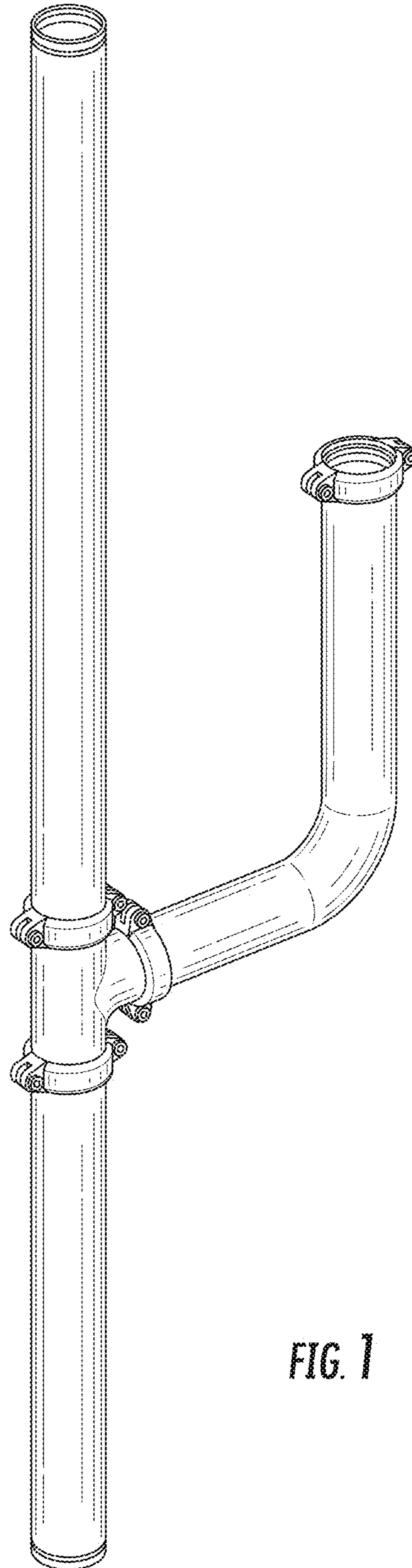


FIG. 1

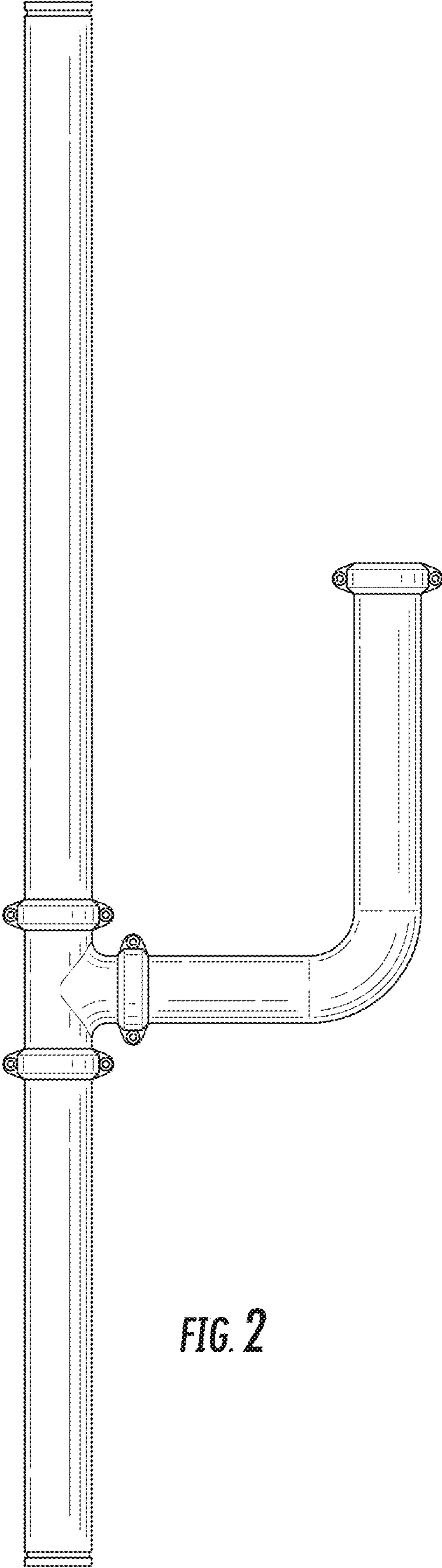


FIG. 2

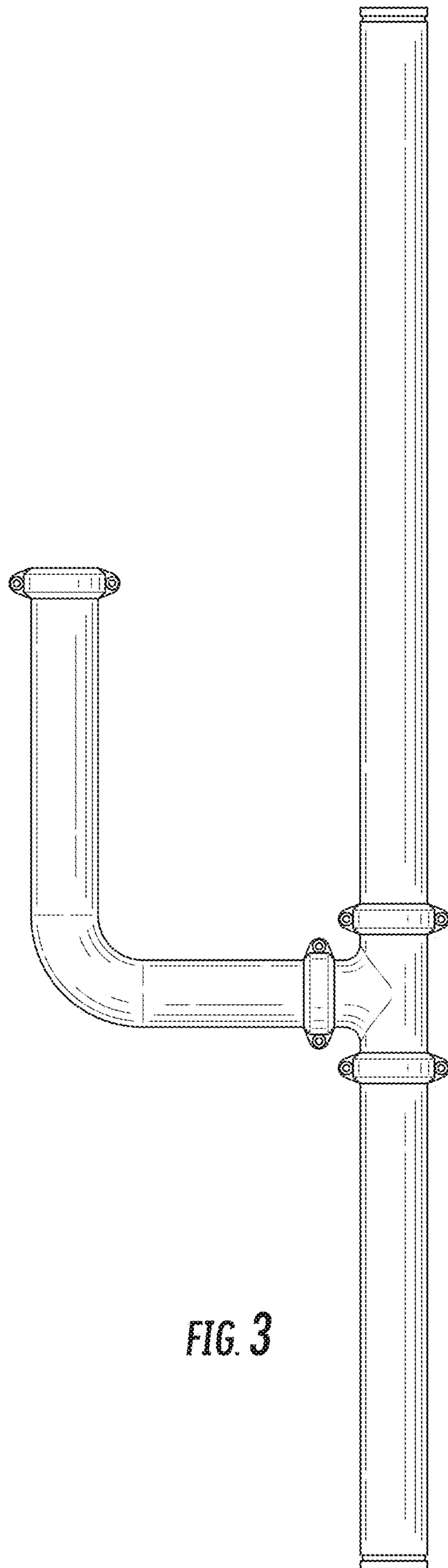


FIG. 3

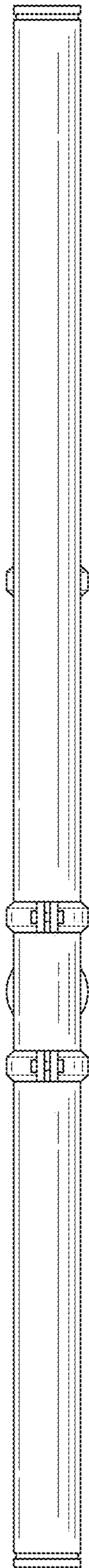


FIG. 4

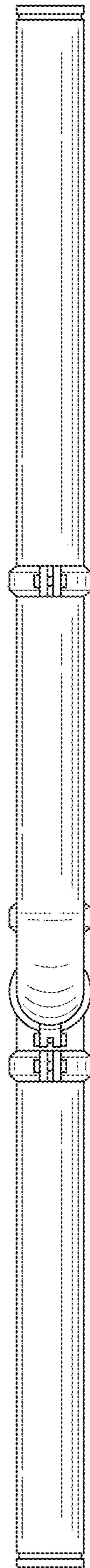


FIG. 5

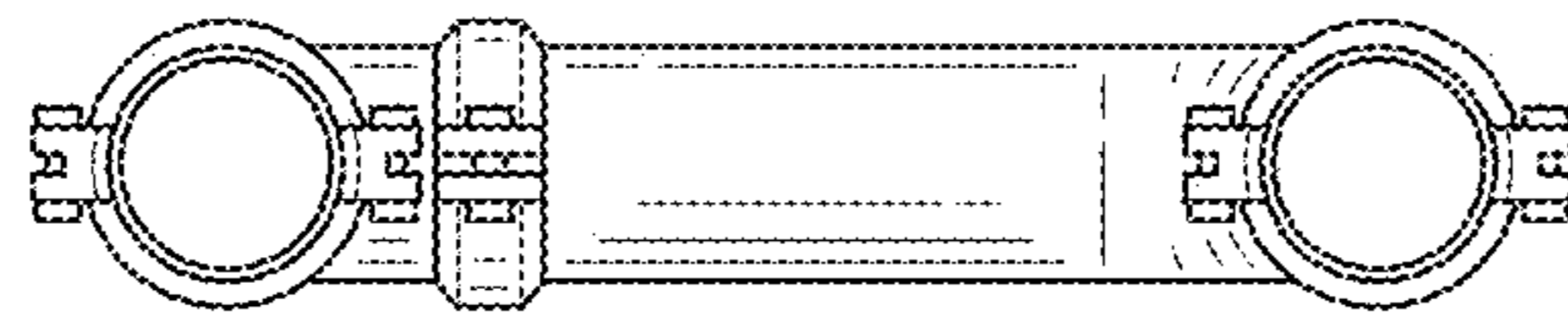


FIG. 6

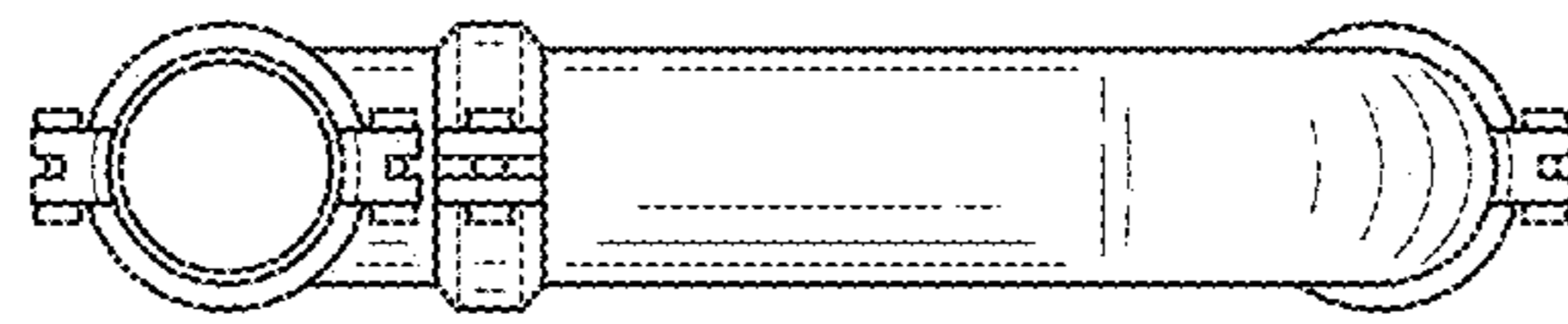


FIG. 7