



US00D892278S

(12) **United States Design Patent**
Eitschberger

(10) **Patent No.:** **US D892,278 S**
(45) **Date of Patent:** **** Aug. 4, 2020**

(54) **TANDEM SUB**

DESCRIPTION

- (71) Applicant: **DynaEnergetics Europe GmbH**, Troisdorf (DE)
- (72) Inventor: **Christian Eitschberger**, München (DE)
- (73) Assignee: **DynaEnergetics Europe GmbH**, Troisdorf (DE)
- (**) Term: **15 Years**
- (21) Appl. No.: **29/729,956**
- (22) Filed: **Mar. 31, 2020**
- (51) **LOC (12) Cl.** **23-01**
- (52) **U.S. Cl.**
USPC **D23/262**
- (58) **Field of Classification Search**
USPC D23/259–260, 262, 264–266; D15/126,
D15/138–139, 143; D8/382, 387, 394,
D8/396–397
See application file for complete search history.

FIG. 1 is a top up, perspective view of a tandem sub, showing an embodiment of my new design;
 FIG. 2 is a top down, perspective view of the tandem sub as shown in FIG. 1;
 FIG. 3 is a bottom up, perspective view of the tandem sub as shown in FIG. 1;
 FIG. 4 is a bottom down, perspective view of the tandem sub as shown in FIG. 1;
 FIG. 5 is a bottom elevated view of the tandem sub as shown in FIG. 1;
 FIG. 6 is a top elevated view of the tandem sub as shown in FIG. 1;
 FIG. 7 is a left side elevated view of the tandem sub as shown in FIG. 1;
 FIG. 8 is a right side elevated view of the tandem sub as shown in FIG. 1;
 FIG. 9 is a front view of the tandem sub as shown in FIG. 1;
 FIG. 10 is a rear view of the tandem sub as shown in FIG. 1;
 FIG. 11 is a top up, perspective view of a tandem sub, showing an alternative embodiment of my new design;
 FIG. 12 is a top down, perspective view of the tandem sub as shown in FIG. 11;
 FIG. 13 is a bottom up, perspective view of the tandem sub as shown in FIG. 11;
 FIG. 14 is a bottom down, perspective view of the tandem sub as shown in FIG. 11;
 FIG. 15 is a bottom elevated view of the tandem sub as shown in FIG. 11;
 FIG. 16 is a top elevated view of the tandem sub as shown in FIG. 11;
 FIG. 17 is a left side elevated view of the tandem sub as shown in FIG. 11;
 FIG. 18 is a right side elevated view of the tandem sub as shown in FIG. 11;
 FIG. 19 is a front view of the tandem sub as shown in FIG. 11;
 FIG. 20 is a rear view of the tandem sub as shown in FIG. 11;

(56) **References Cited**

U.S. PATENT DOCUMENTS

- 2,147,544 A * 2/1939 Potts E21B 47/017
166/66
- 3,154,632 A * 10/1964 Browne F16L 27/1274
174/86

(Continued)

OTHER PUBLICATIONS

Yellow Jacket Oil Tools, Orienting Sub, 2019, 2 pgs., <https://www.yjoiltools.com/Wireline-Subs/Orienting-Sub>.

Primary Examiner — Amy C Wierenga
(74) *Attorney, Agent, or Firm* — Moyles IP, LLC

(57) **CLAIM**

I claim the ornamental design of a tandem sub, as shown and described.

(Continued)

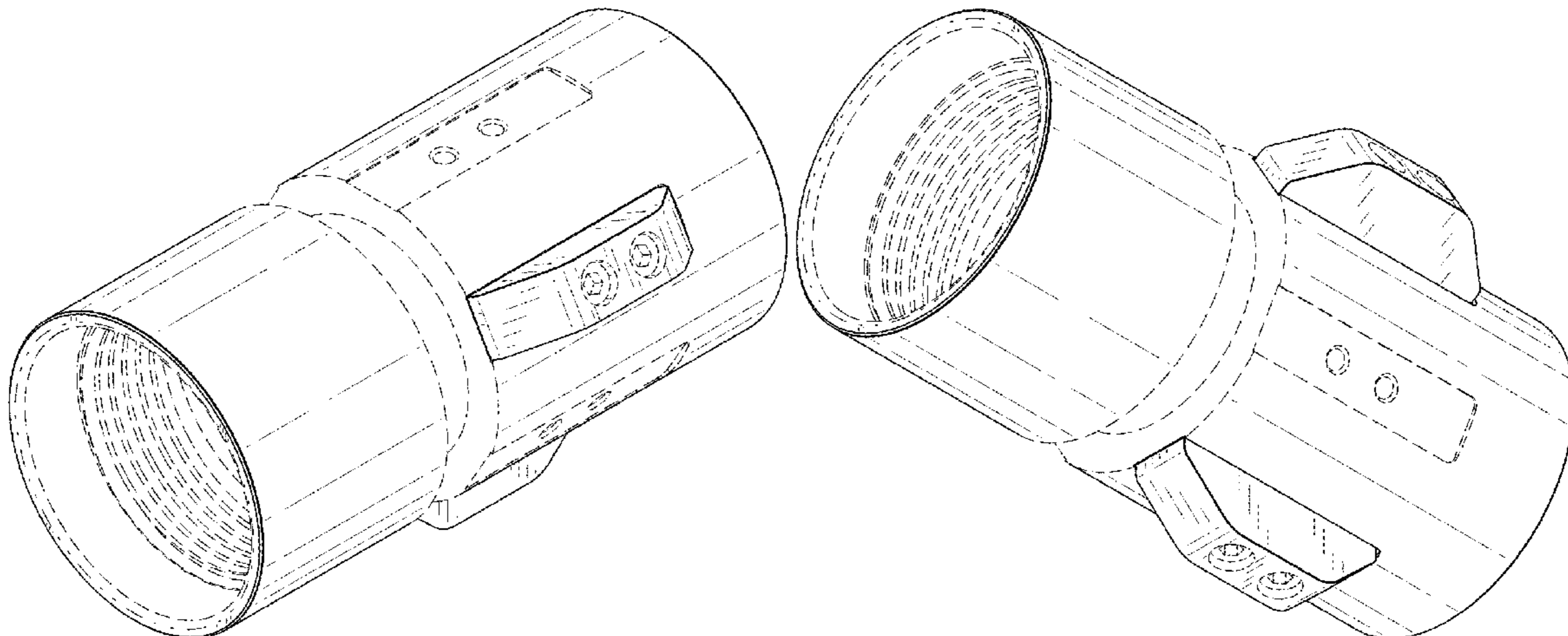


FIG. 21 is a top up, perspective view of a tandem sub, showing an alternative embodiment of my new design;
 FIG. 22 is a top down, perspective view of the tandem sub as shown in FIG. 21;
 FIG. 23 is a bottom up, perspective view of the tandem sub as shown in FIG. 21;
 FIG. 24 is a bottom down, perspective view of the tandem sub as shown in FIG. 21;
 FIG. 25 is a bottom elevated view of the tandem sub as shown in FIG. 21;
 FIG. 26 is a top elevated view of the tandem sub as shown in FIG. 21;
 FIG. 27 is a left side elevated view of the tandem sub as shown in FIG. 21;
 FIG. 28 is a right side elevated view of the tandem sub as shown in FIG. 21;
 FIG. 29 is a front view of the tandem sub as shown in FIG. 21; and,
 FIG. 30 is a rear view of the tandem sub as shown in FIG. 21.
 The broken lines consisting of dashes show an environment that forms no part of the claimed design. The broken lines consisting of a double-dot/dash pattern show a boundary of the claimed design.

1 Claim, 15 Drawing Sheets

(56)

References Cited

U.S. PATENT DOCUMENTS

D222,469	S *	10/1971	Plummer	D13/156
D227,763	S *	7/1973	Hand	D23/262
5,992,523	A	11/1999	Burleson et al.	
D418,210	S *	12/1999	Roesch	D23/262
6,516,901	B1 *	2/2003	Falgout, Sr.	E21B 7/067 175/256
7,013,977	B2	3/2006	Nordaas	
D532,947	S *	11/2006	Muscarella	D32/31
7,591,212	B2	9/2009	Myers, Jr. et al.	
D689,590	S *	9/2013	Brose	D23/213
D712,013	S *	8/2014	Mather	D23/259
8,869,887	B2	10/2014	Deere et al.	
9,206,675	B2	12/2015	Hales et al.	
D783,133	S *	4/2017	Fitzhugh	D15/21
D807,991	S *	1/2018	Fitzhugh	D23/260
10,472,901	B2	11/2019	Engel et al.	
D877,286	S	3/2020	Hartman et al.	
2014/0166370	A1 *	6/2014	D Silva	F16D 7/10 175/101
2018/0252054	A1 *	9/2018	Stokes	E21B 19/166
2019/0257158	A1	8/2019	Langford et al.	

* cited by examiner

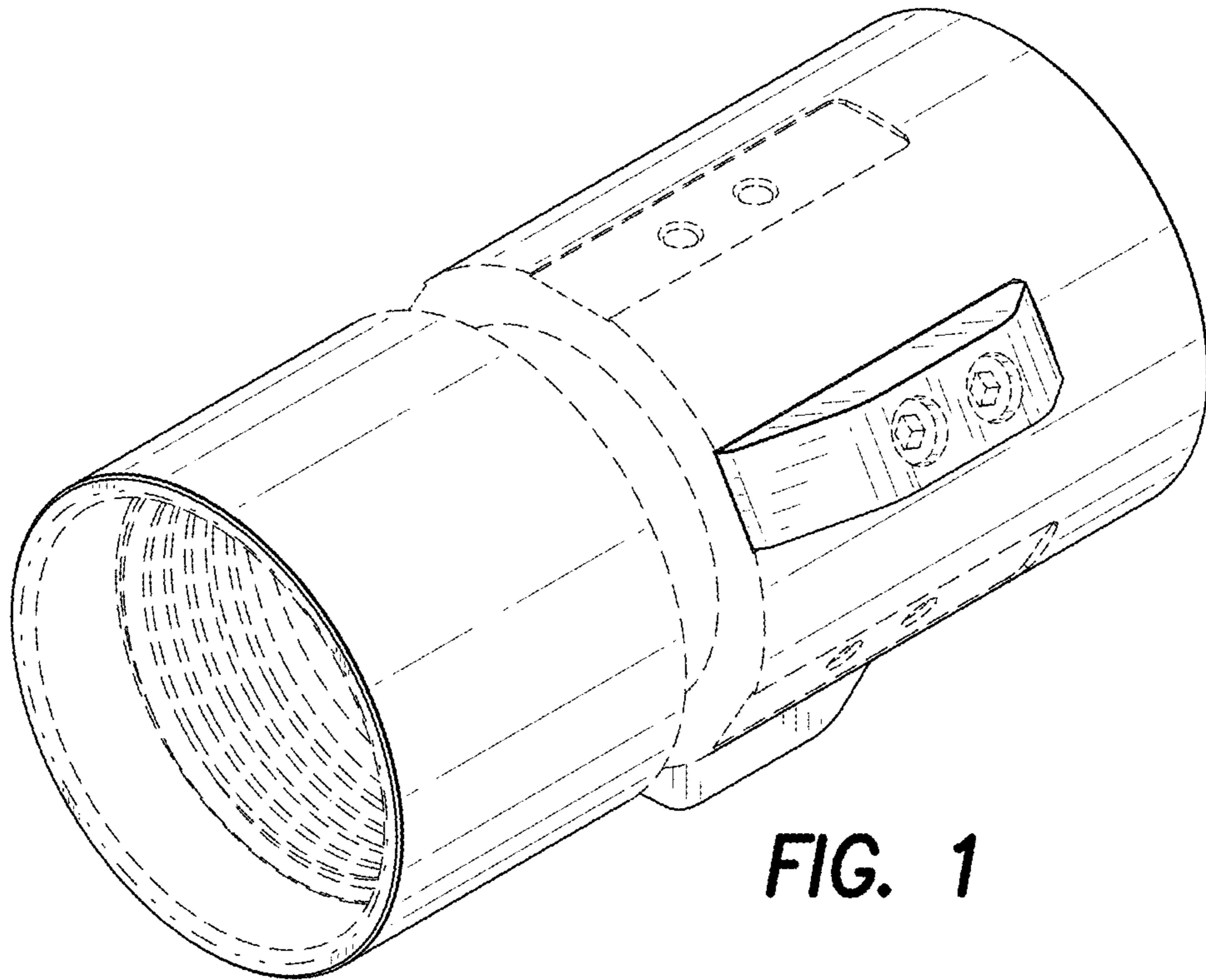


FIG. 1

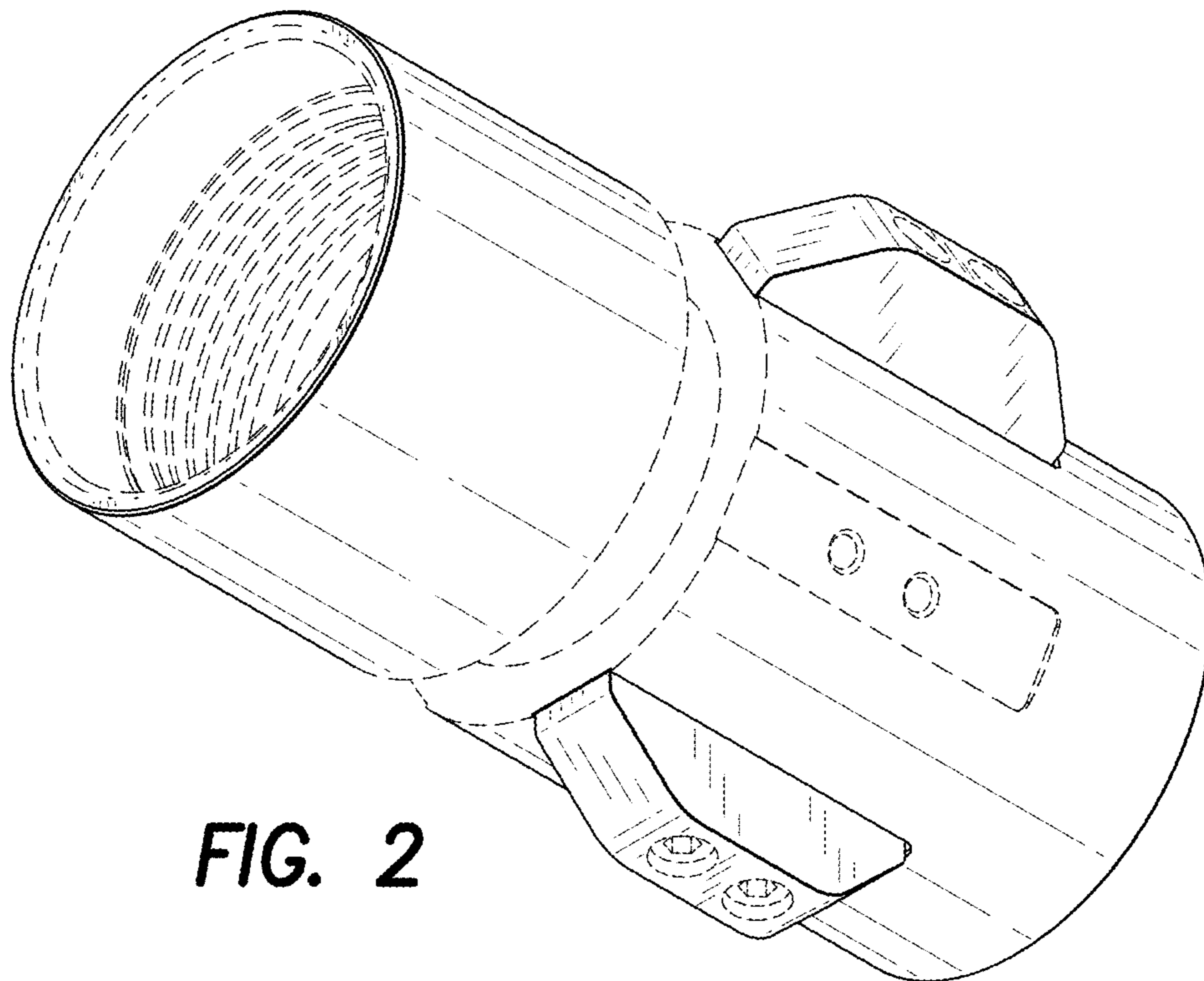


FIG. 2

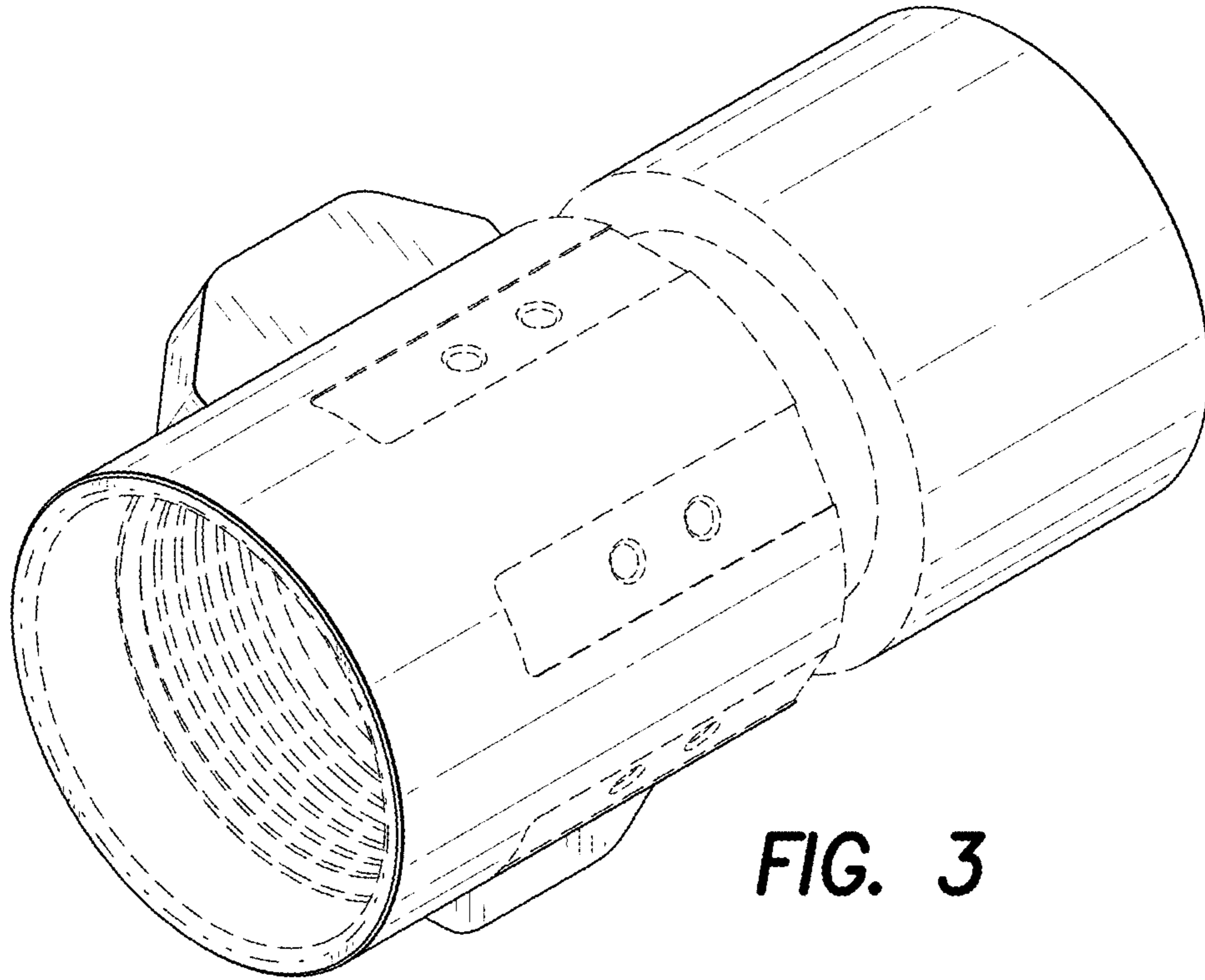


FIG. 3

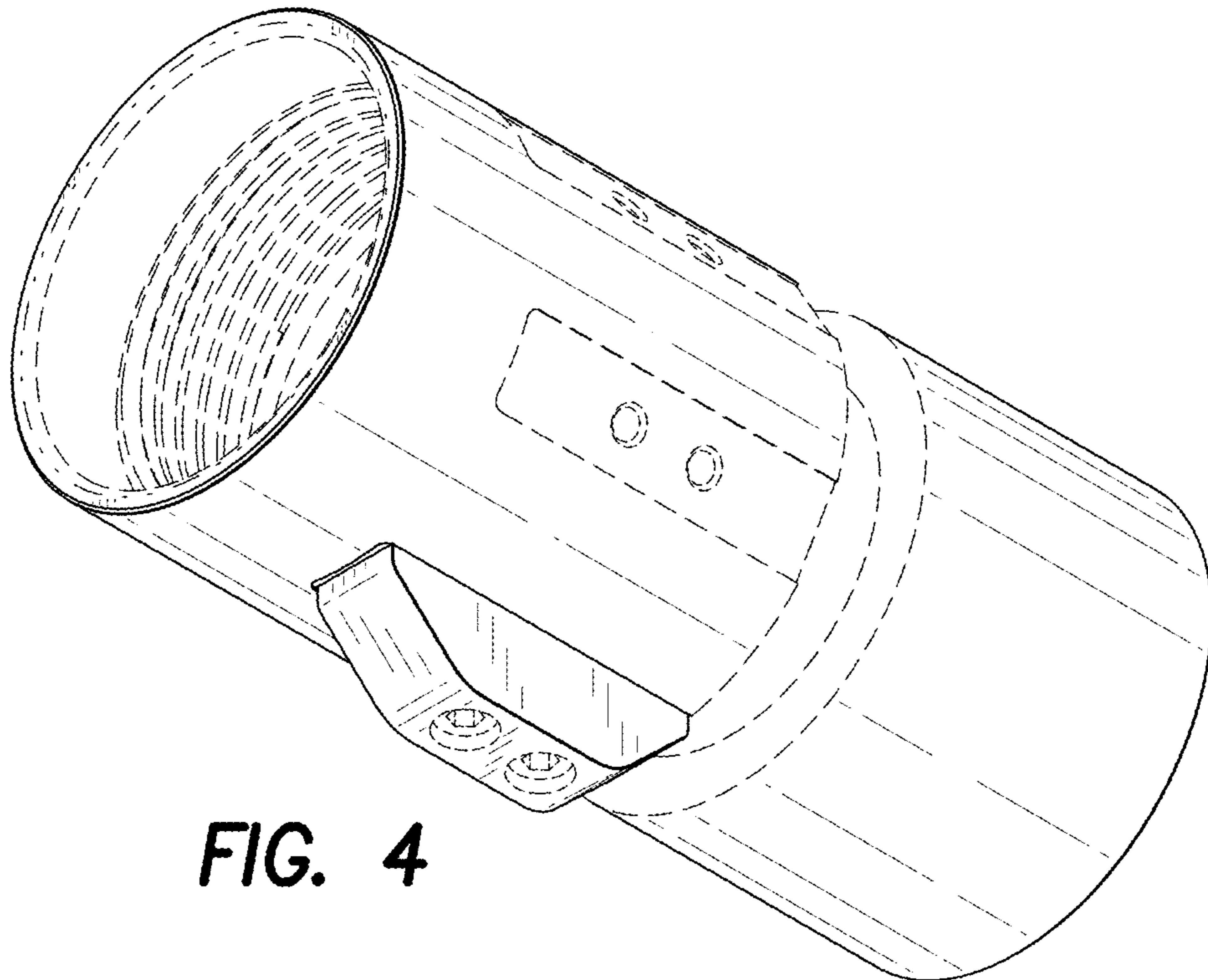


FIG. 4

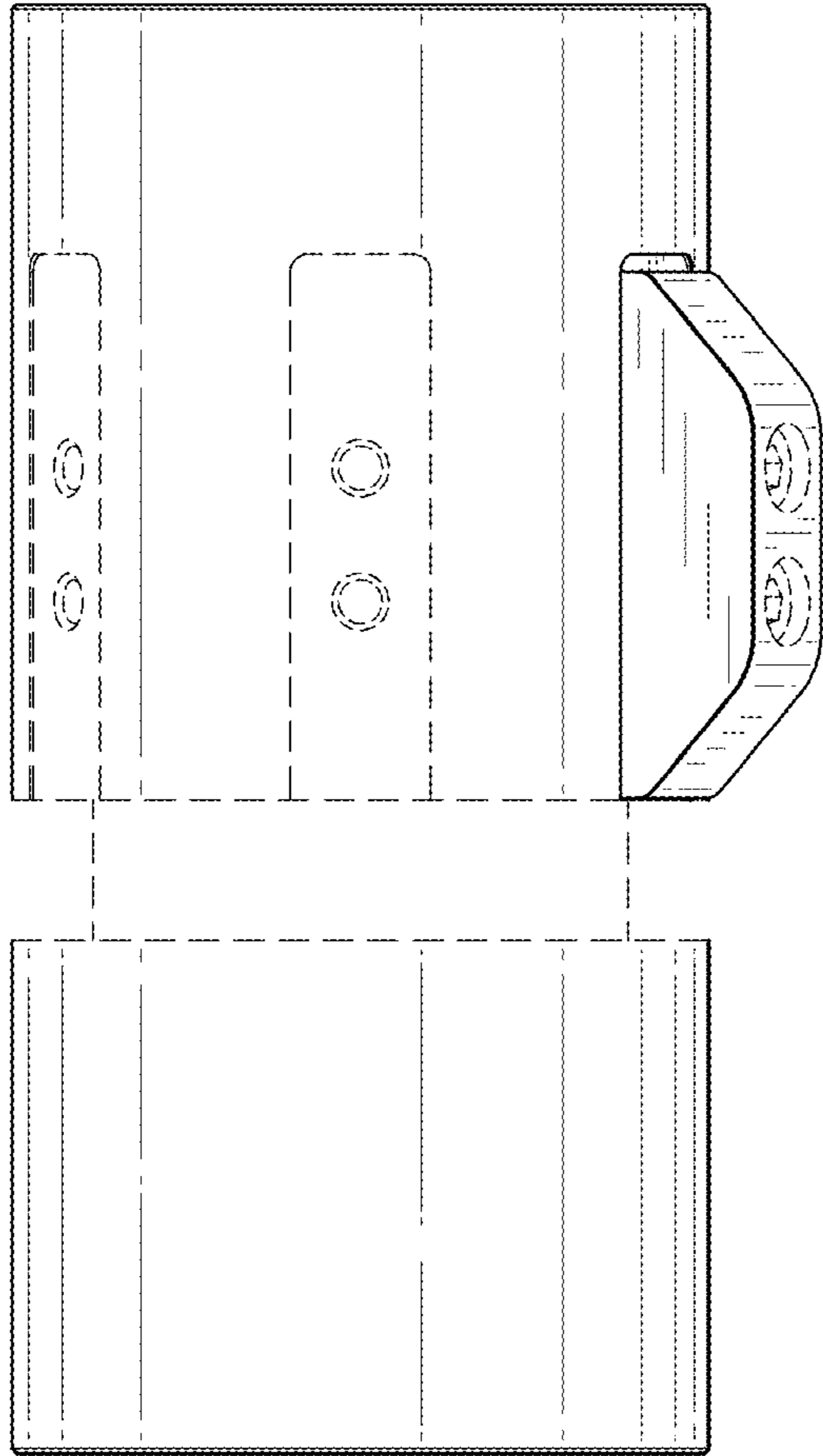


FIG. 5

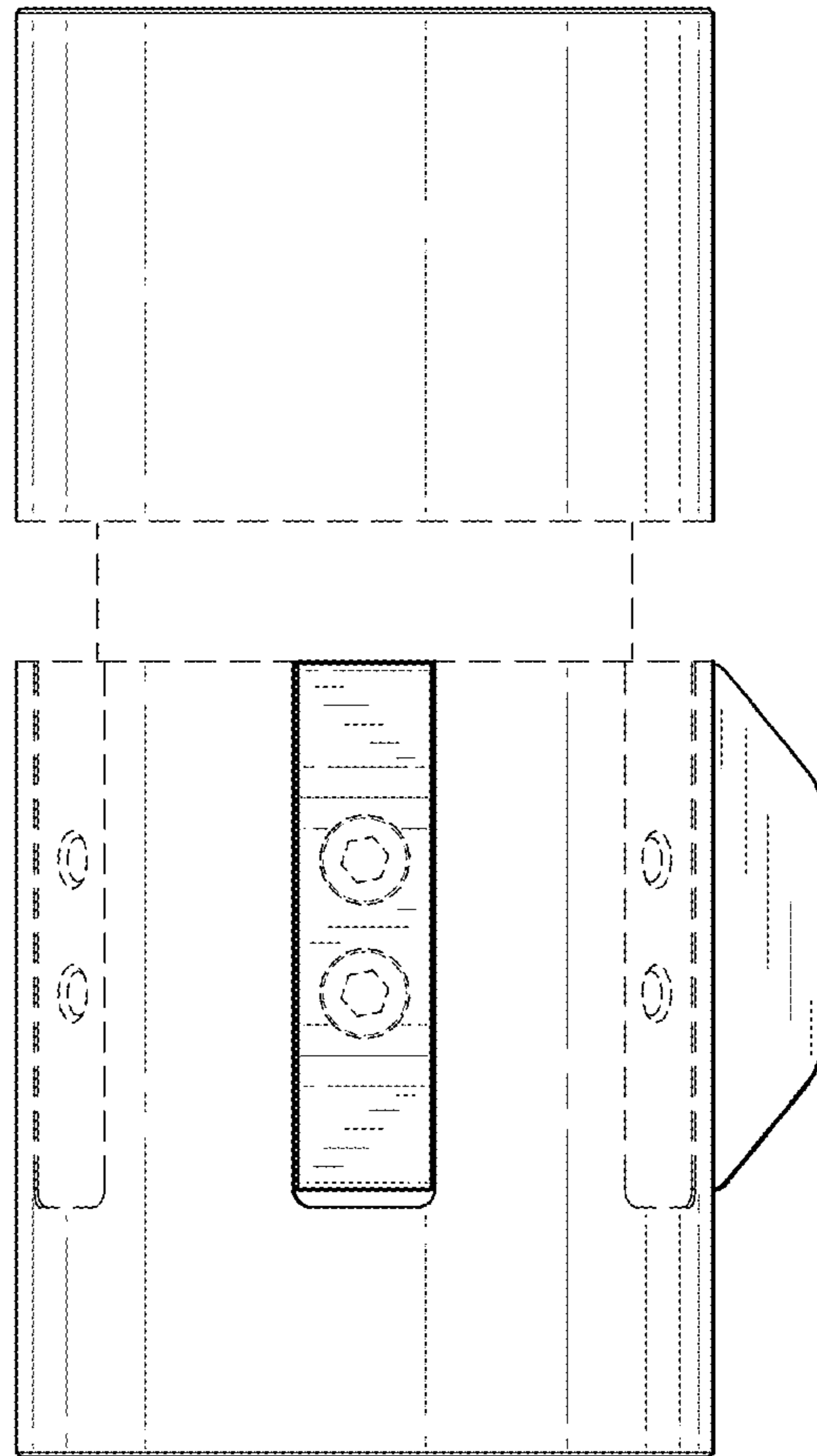


FIG. 6

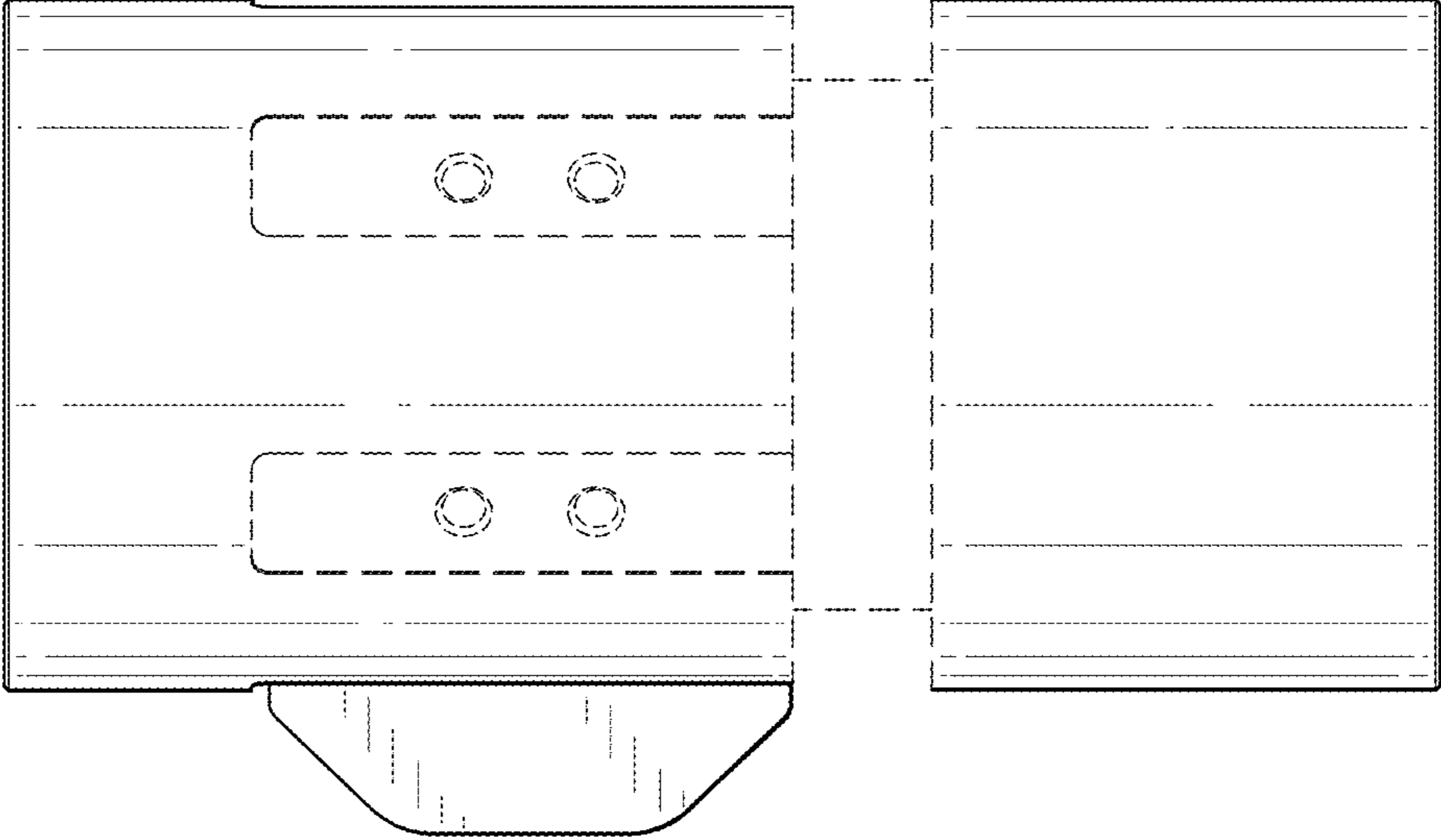


FIG. 7

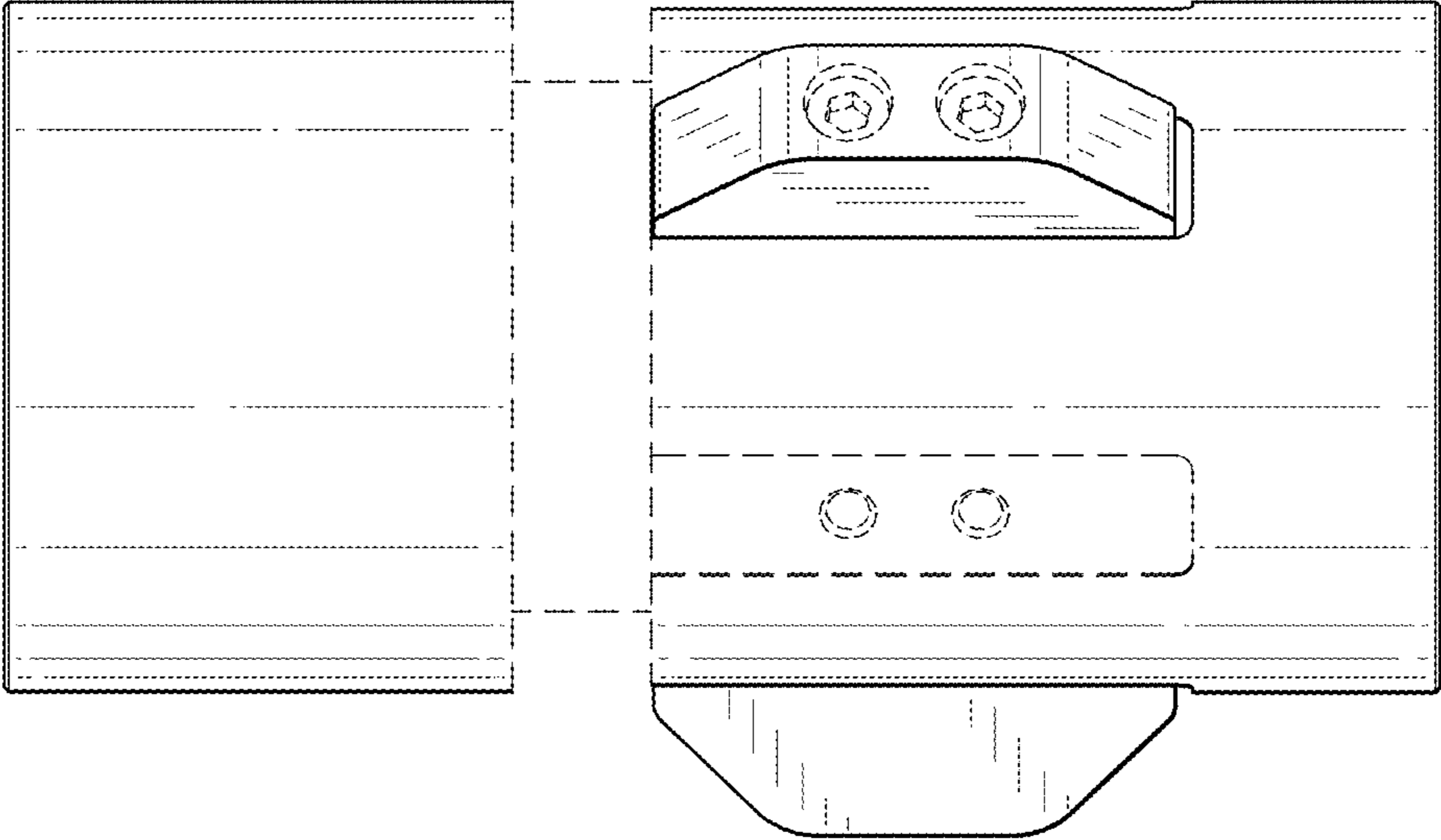


FIG. 8

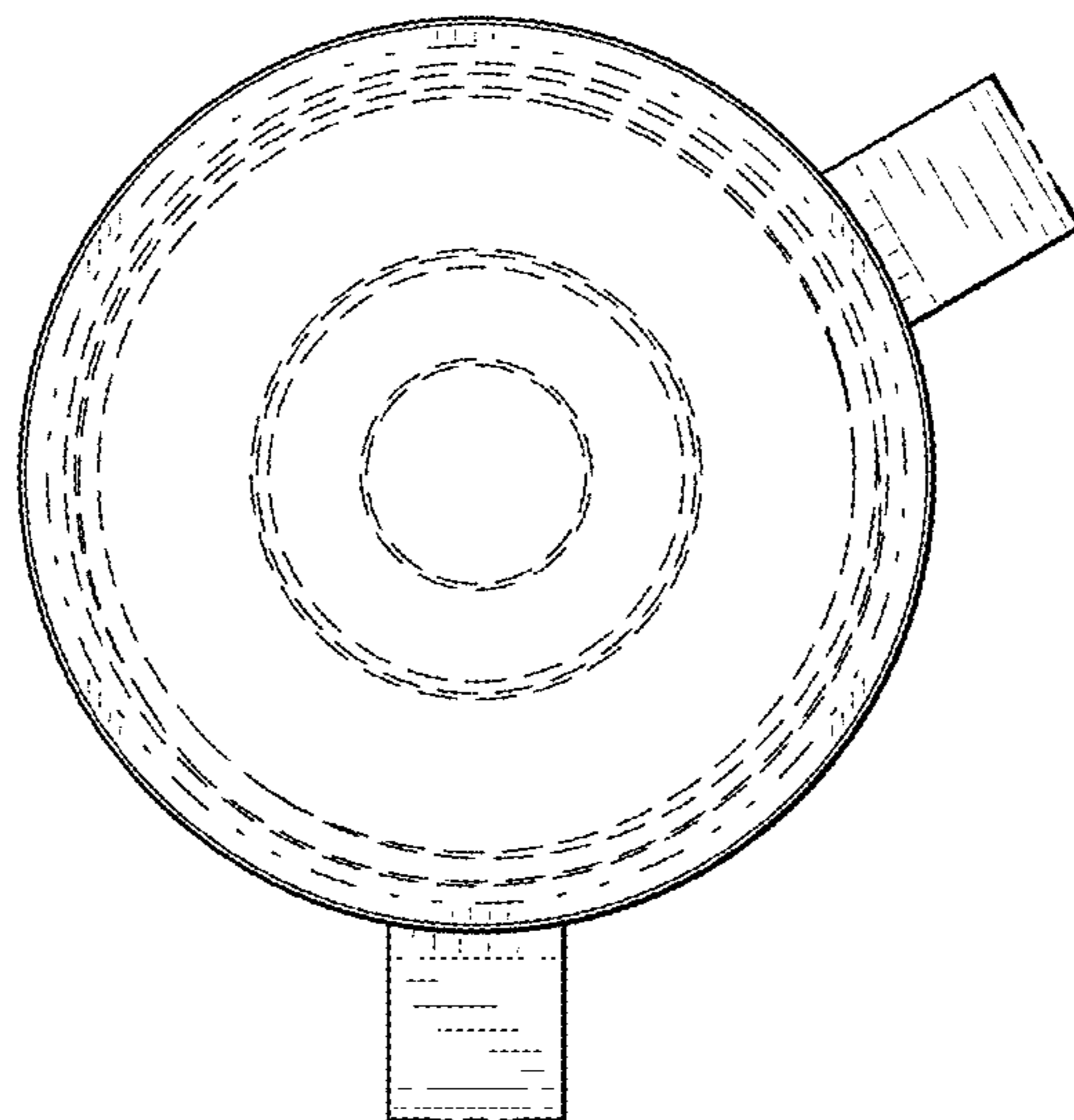


FIG. 9

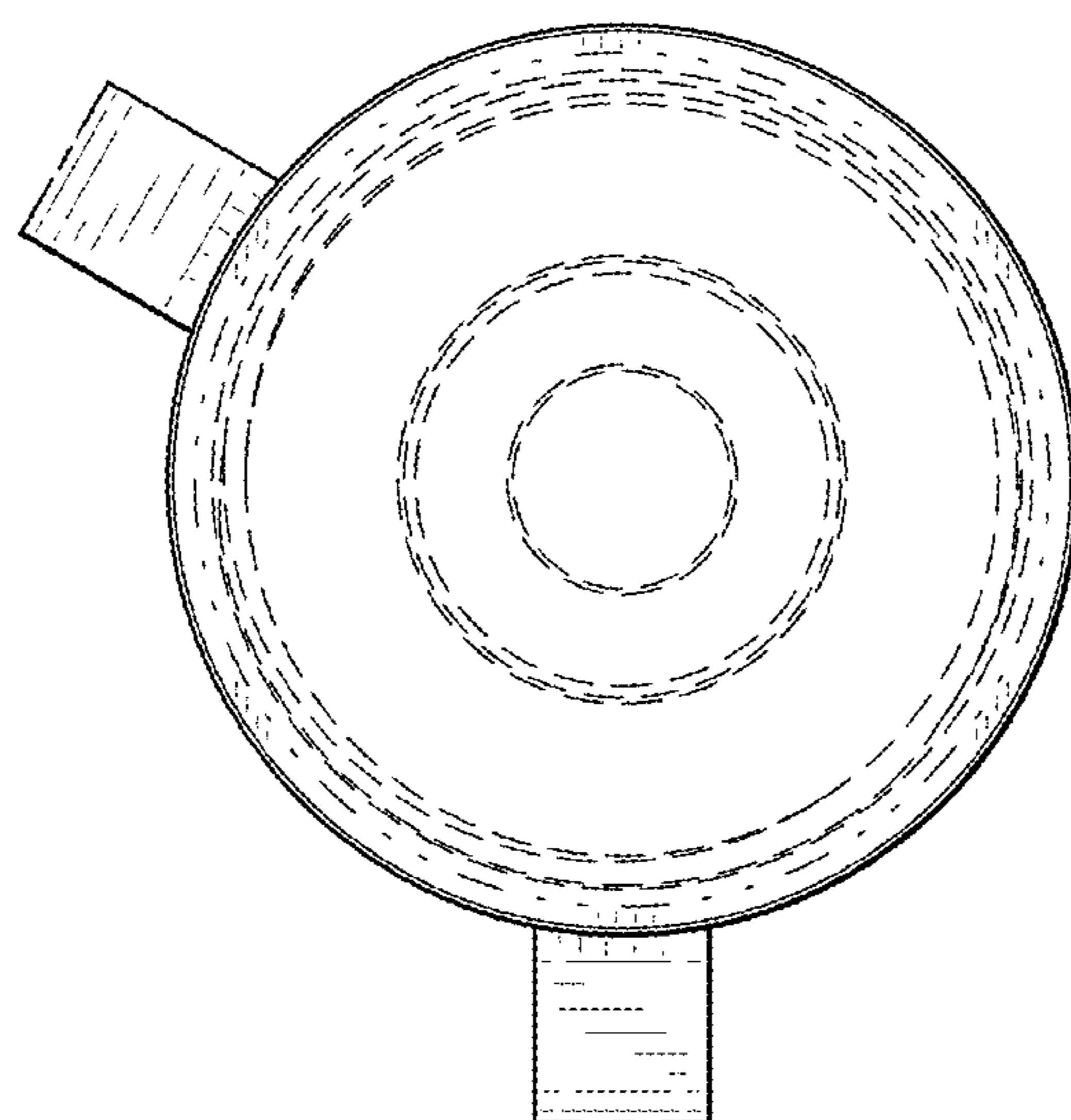


FIG. 10

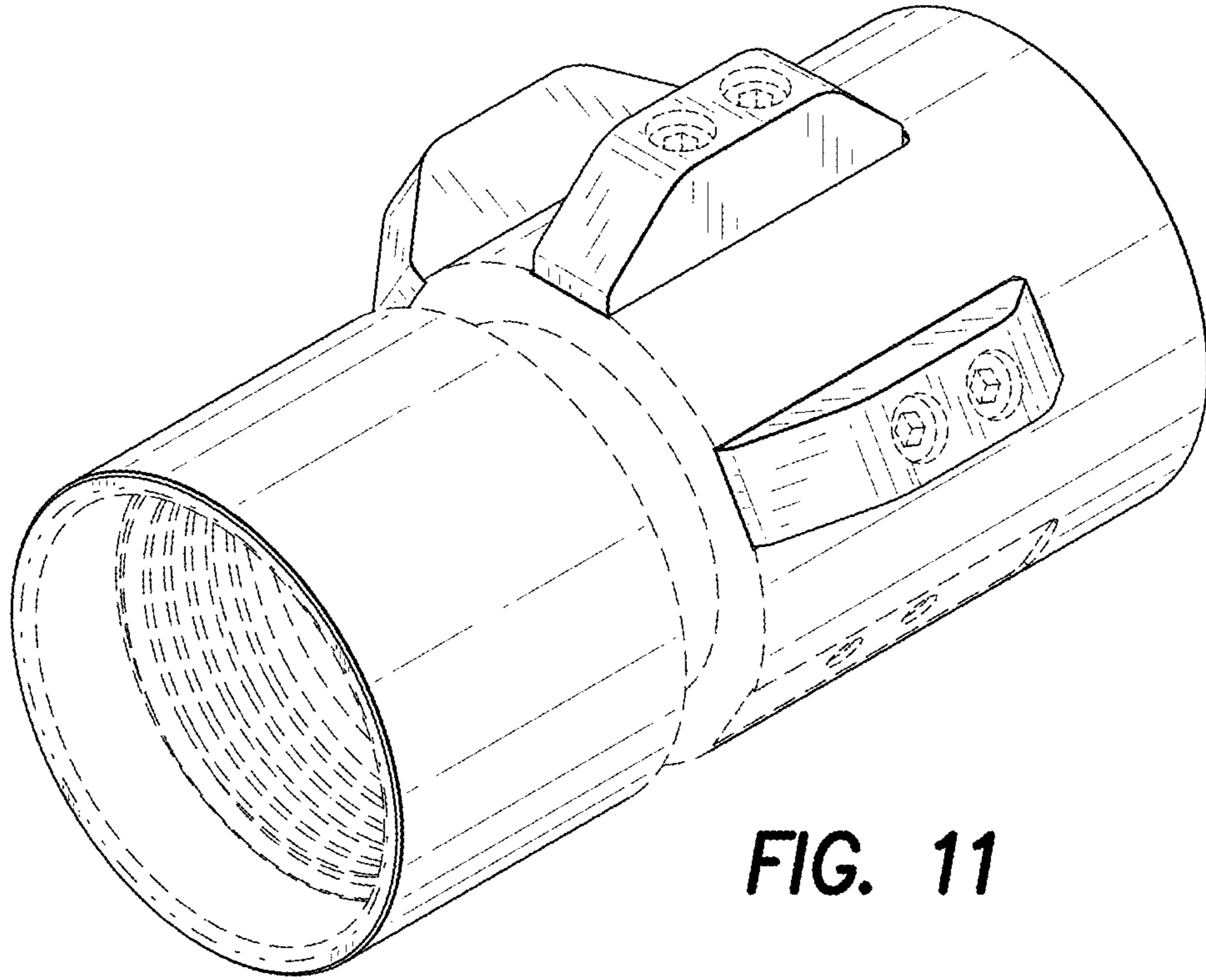


FIG. 11

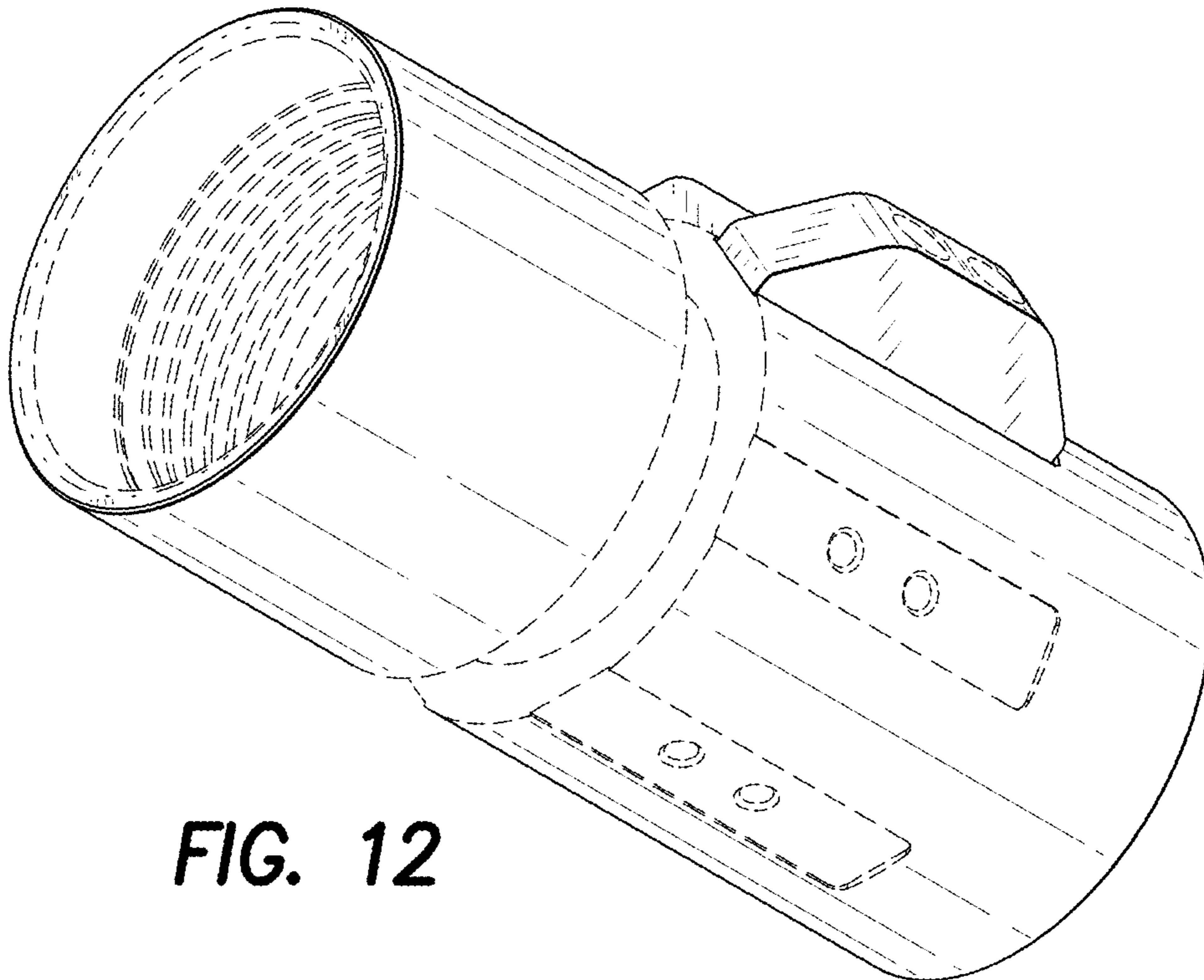


FIG. 12

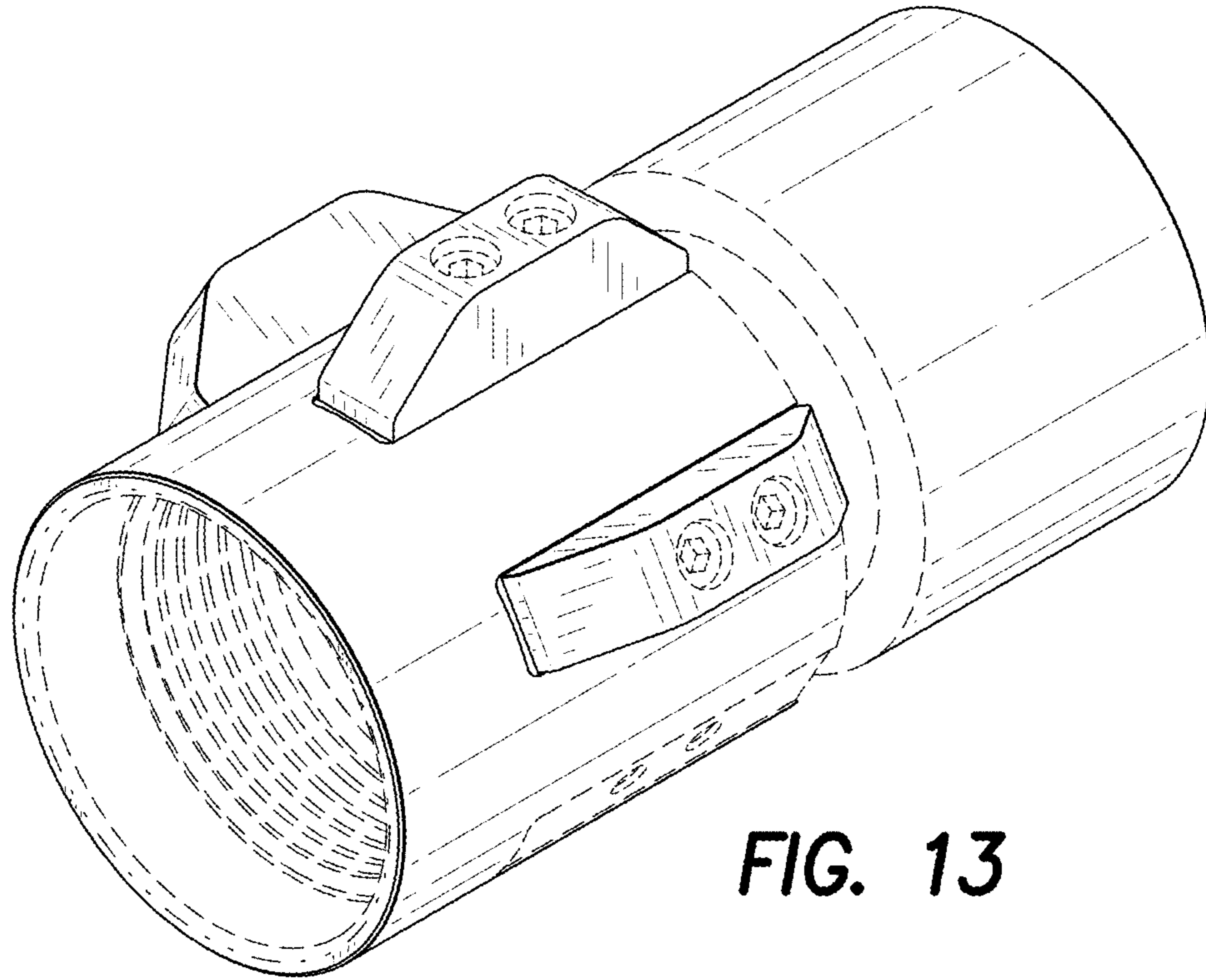


FIG. 13

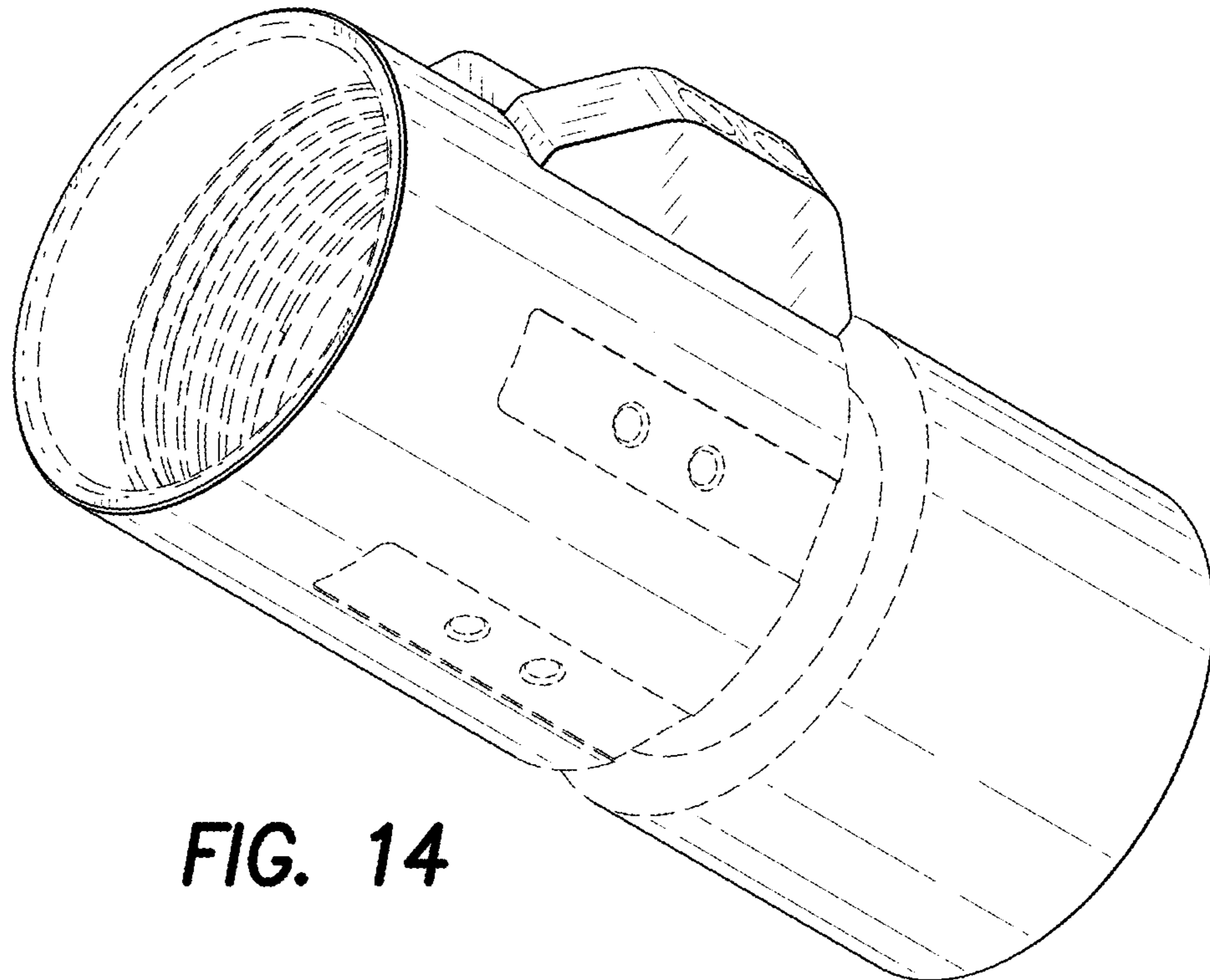


FIG. 14

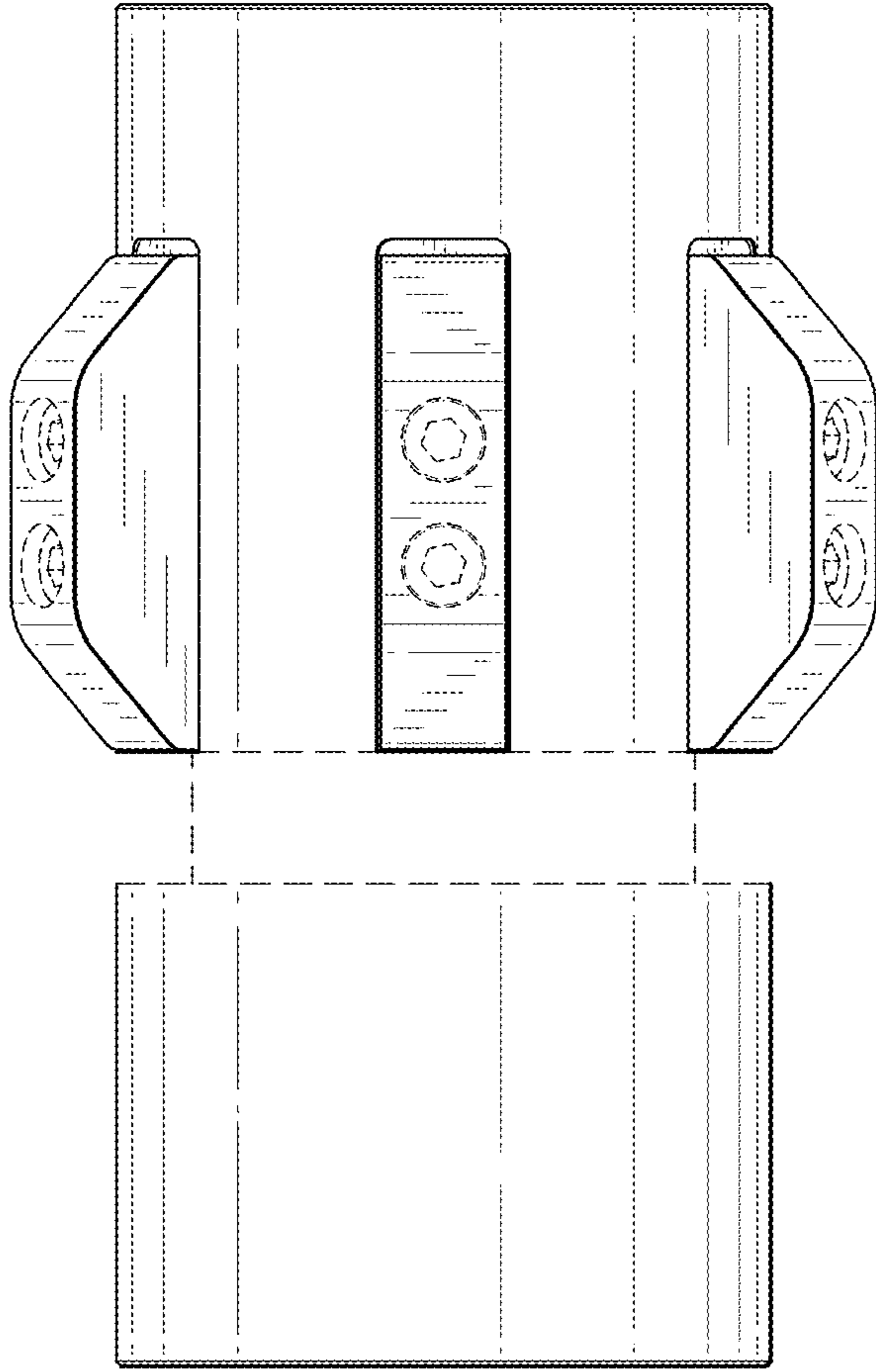


FIG. 15

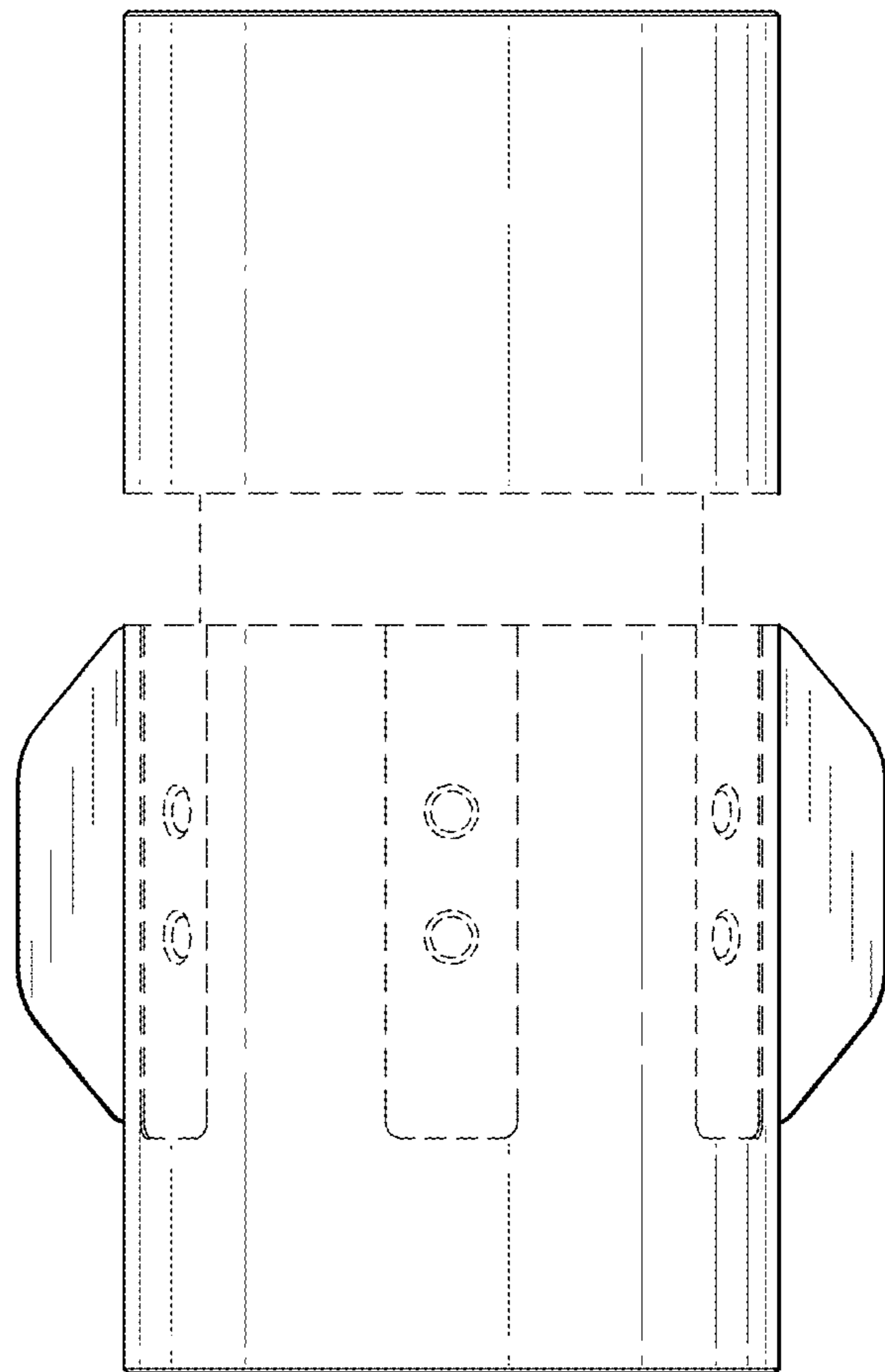


FIG. 16

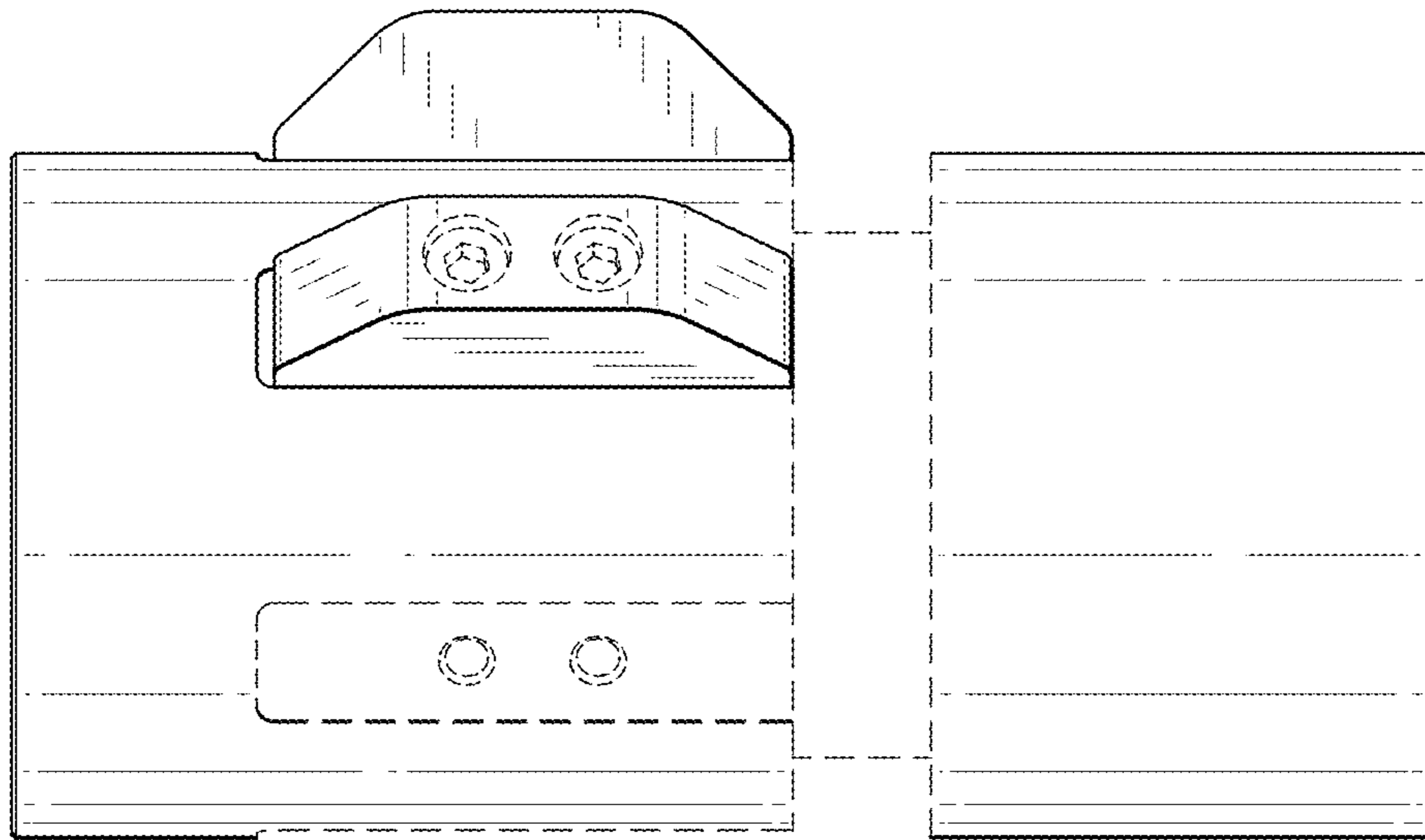


FIG. 17

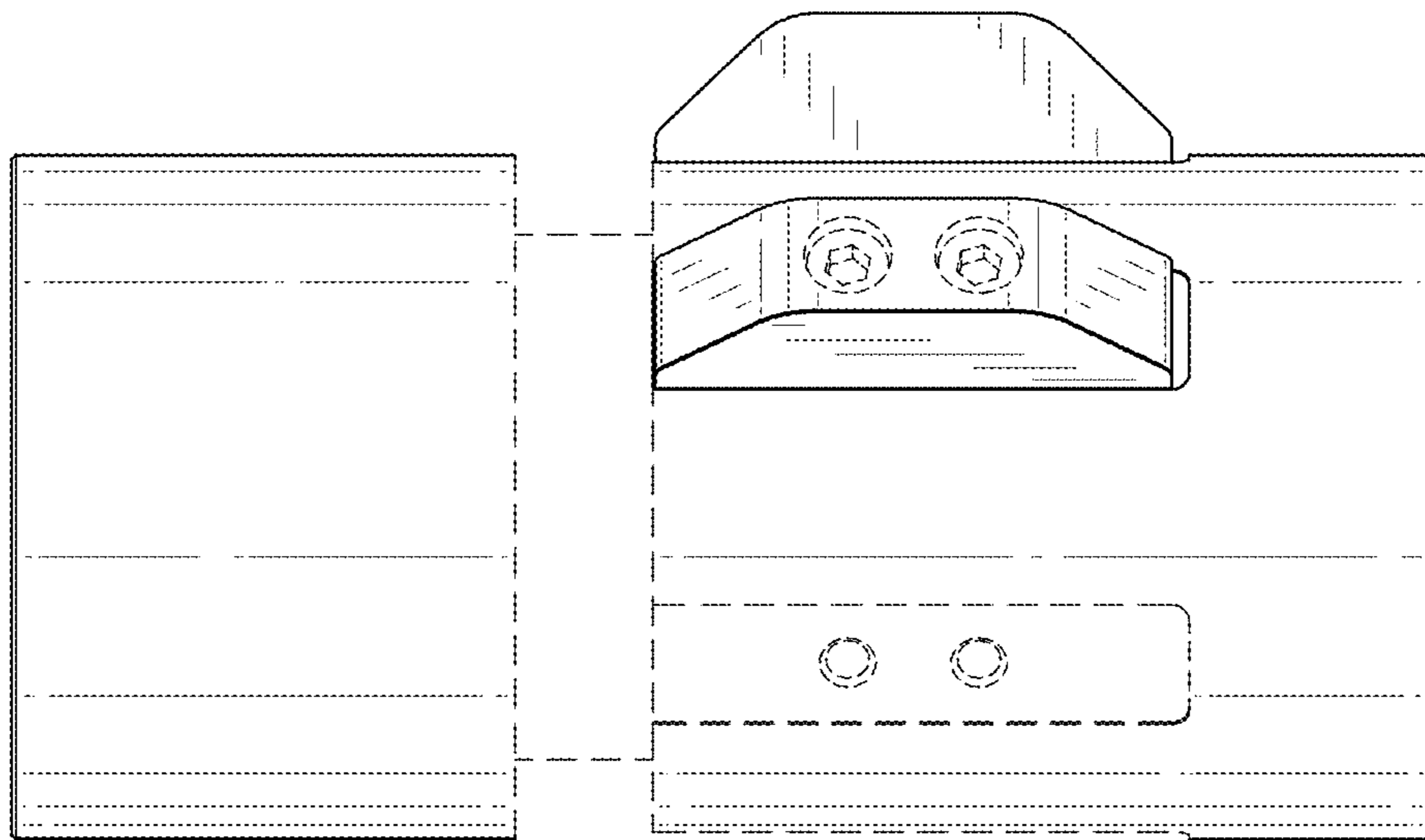


FIG. 18

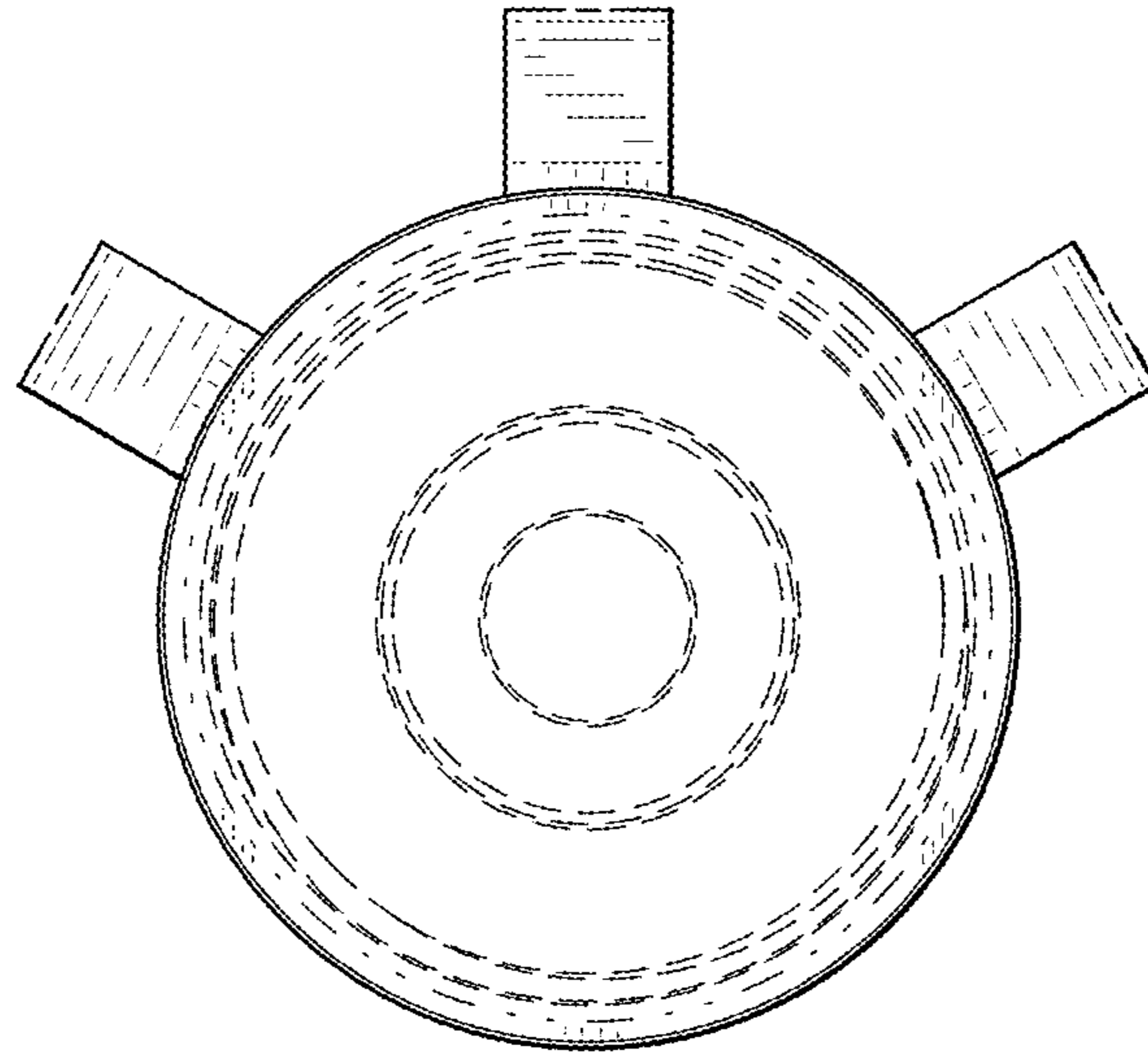


FIG. 19

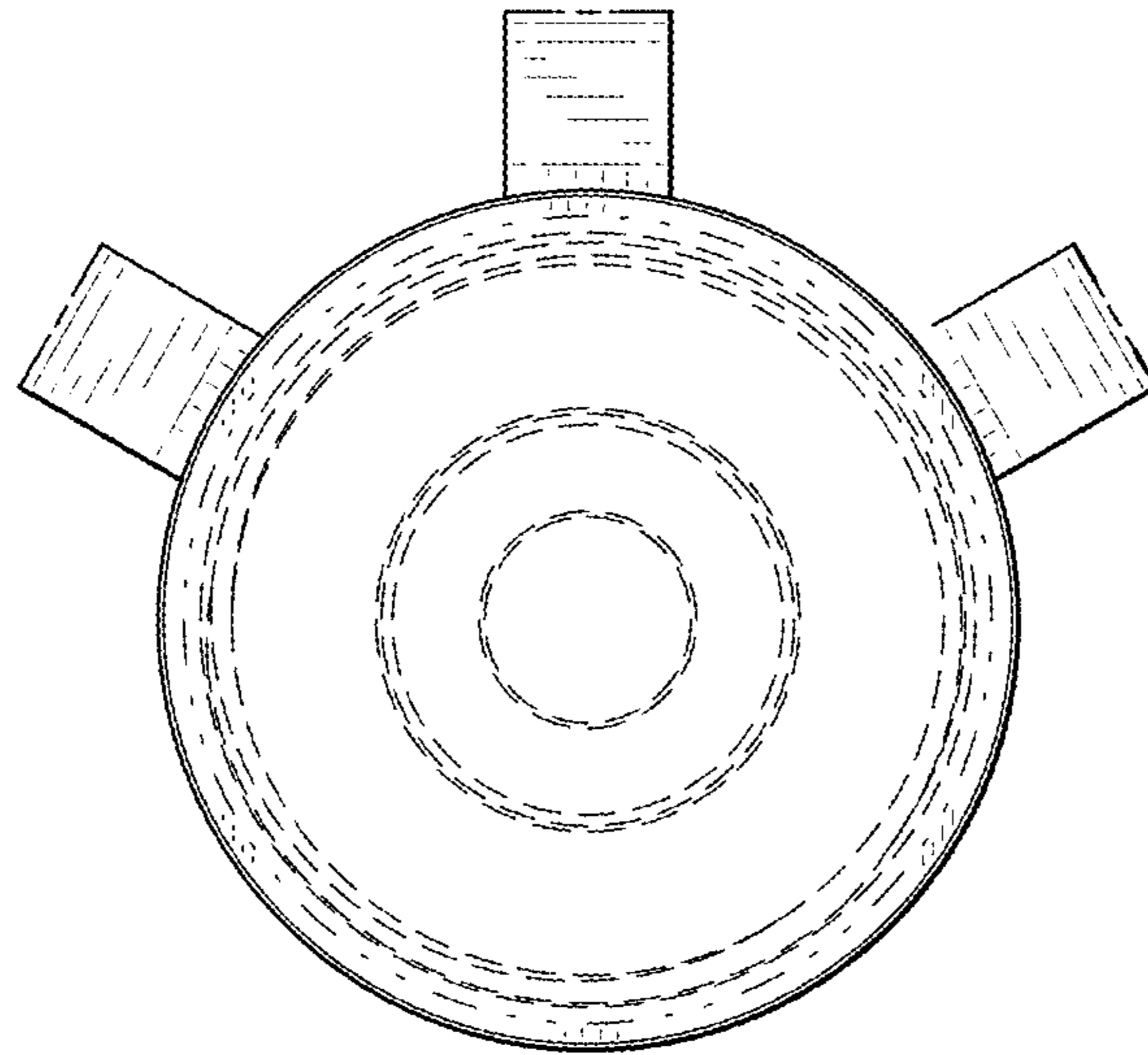


FIG. 20

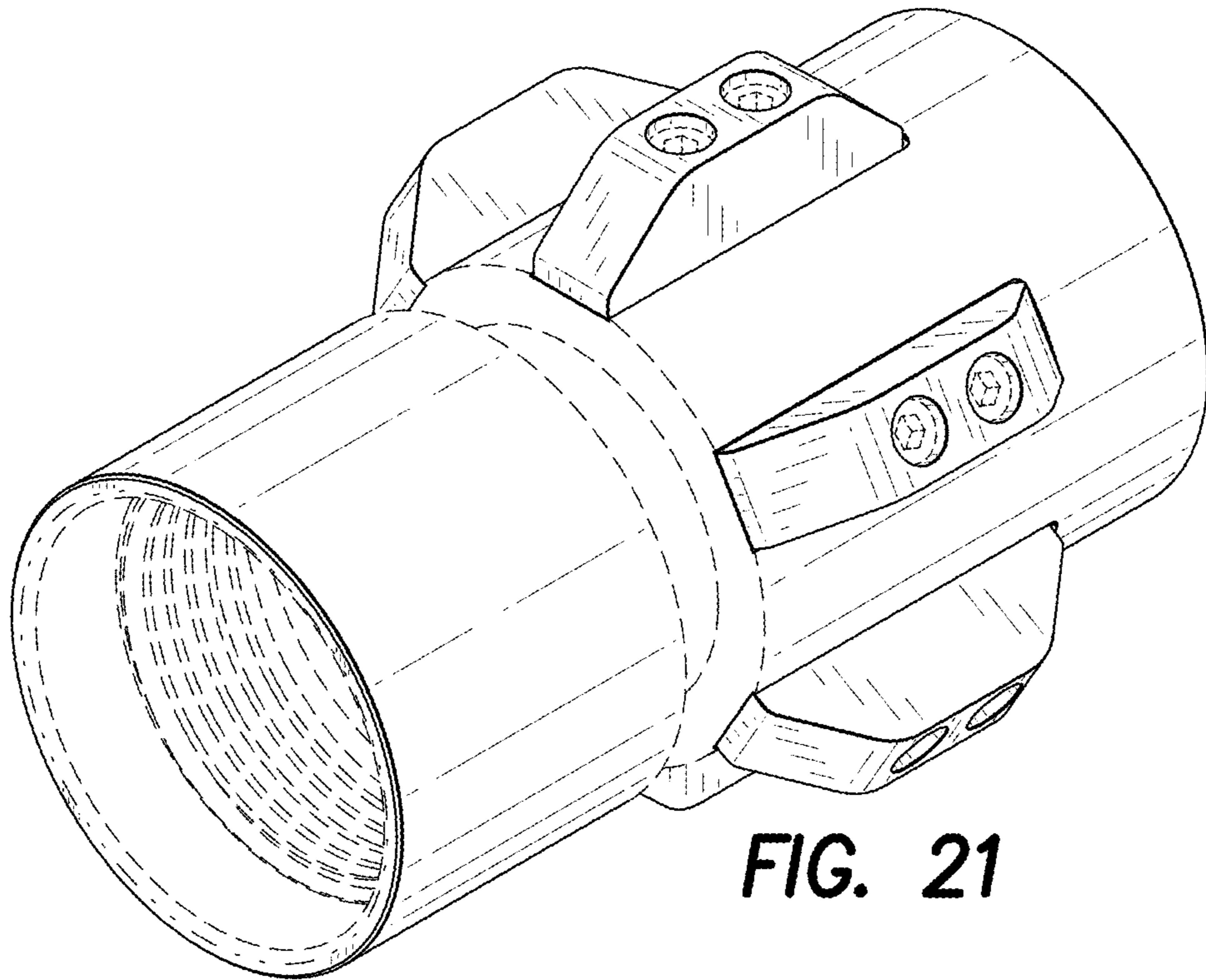


FIG. 21

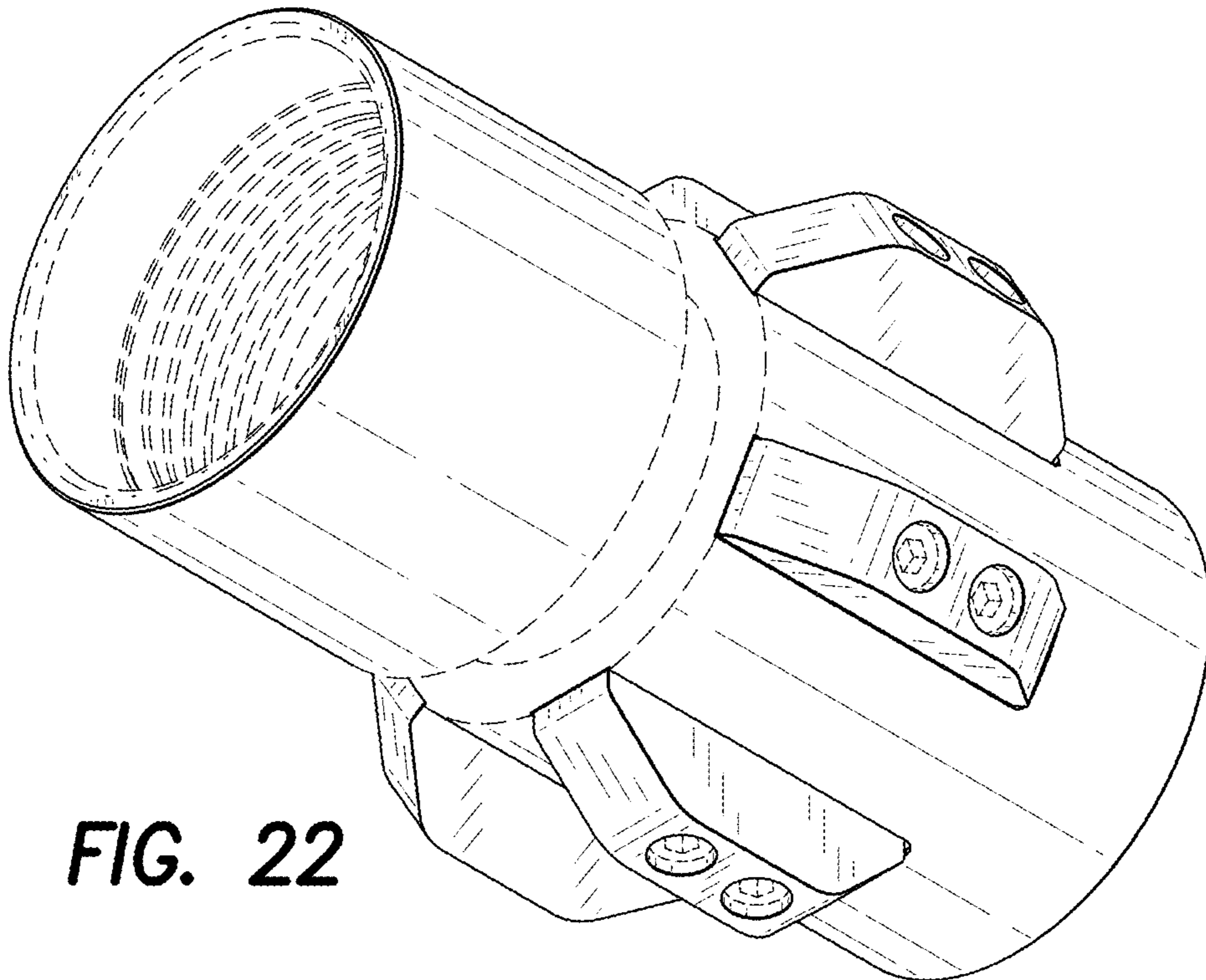


FIG. 22

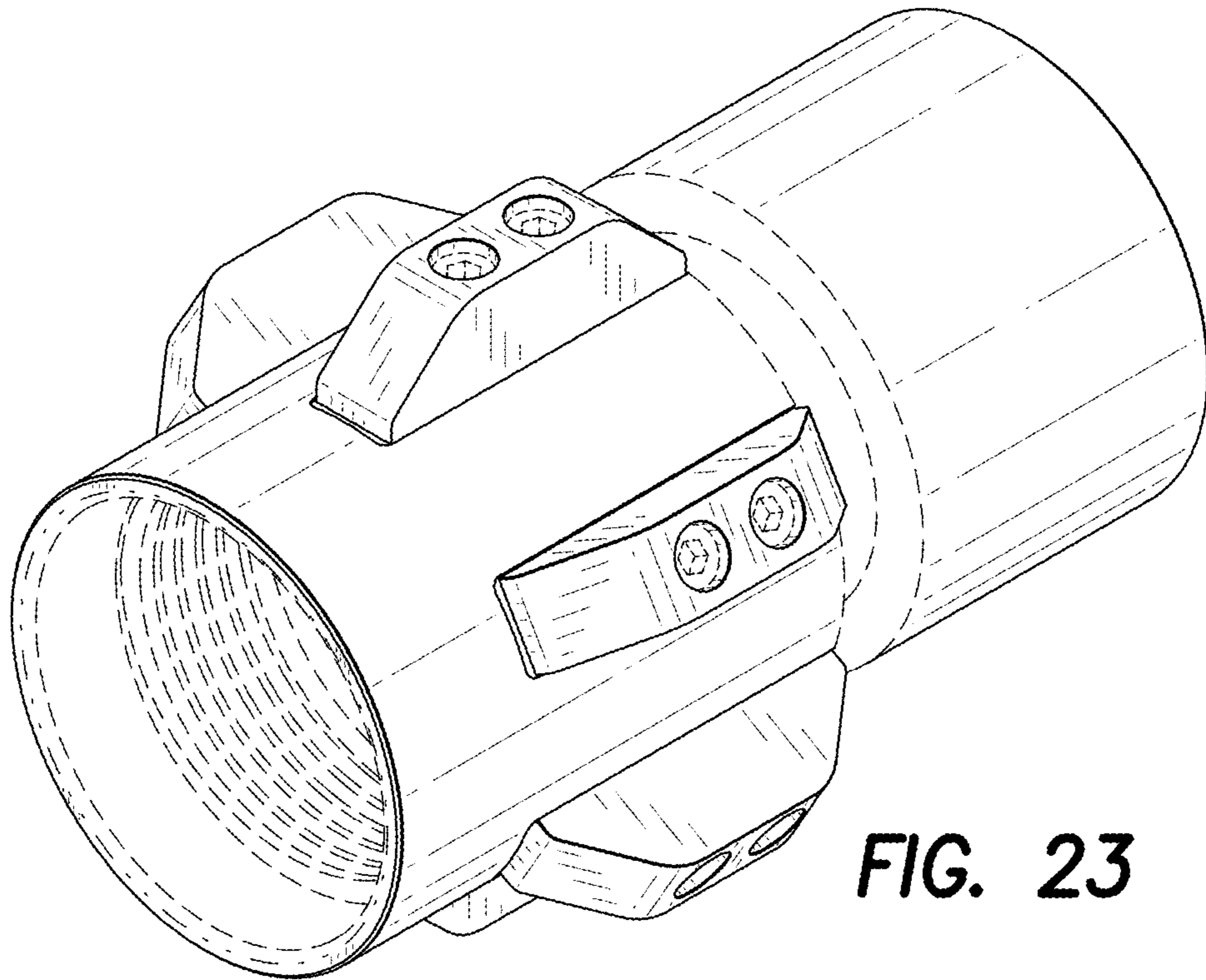


FIG. 23

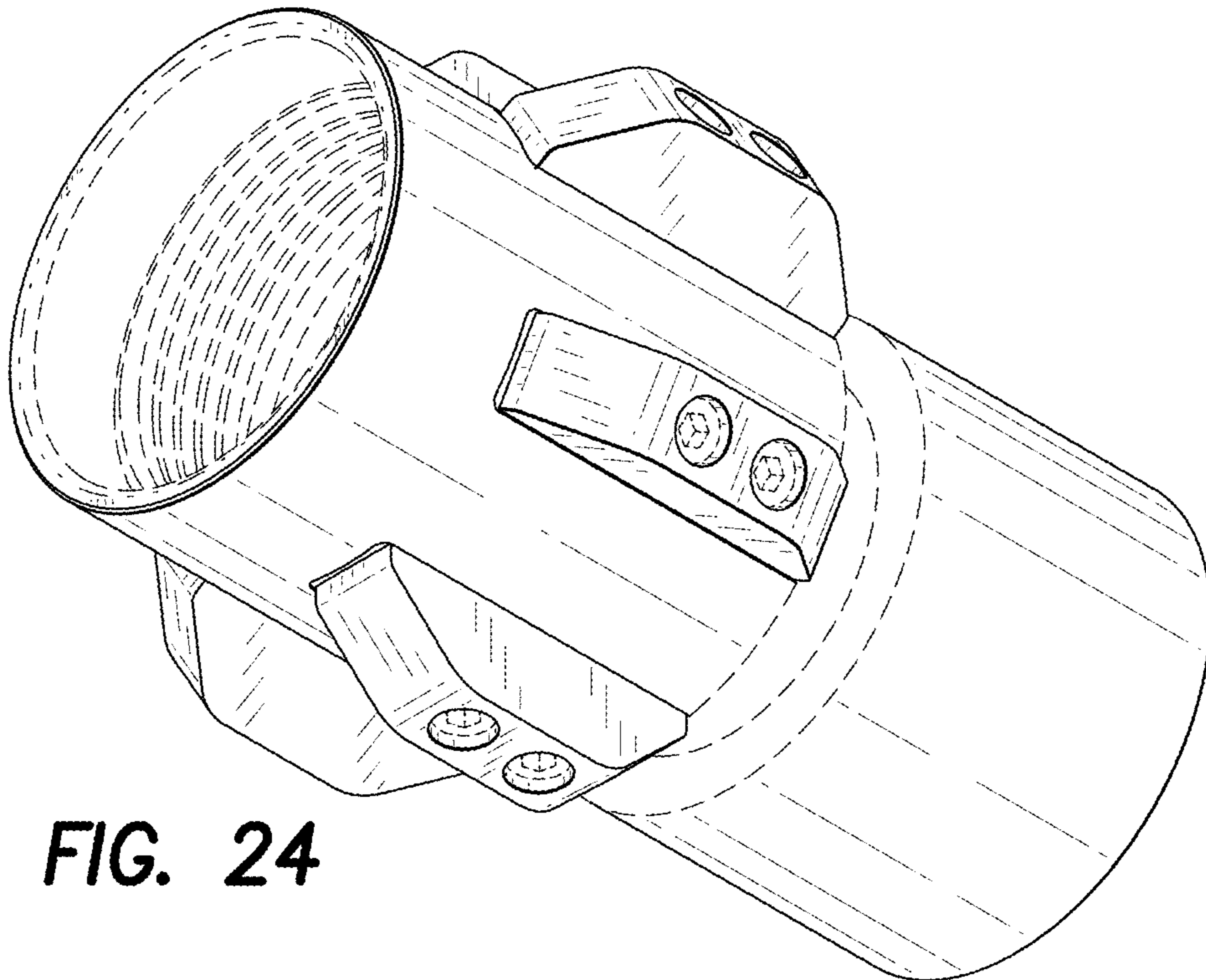


FIG. 24

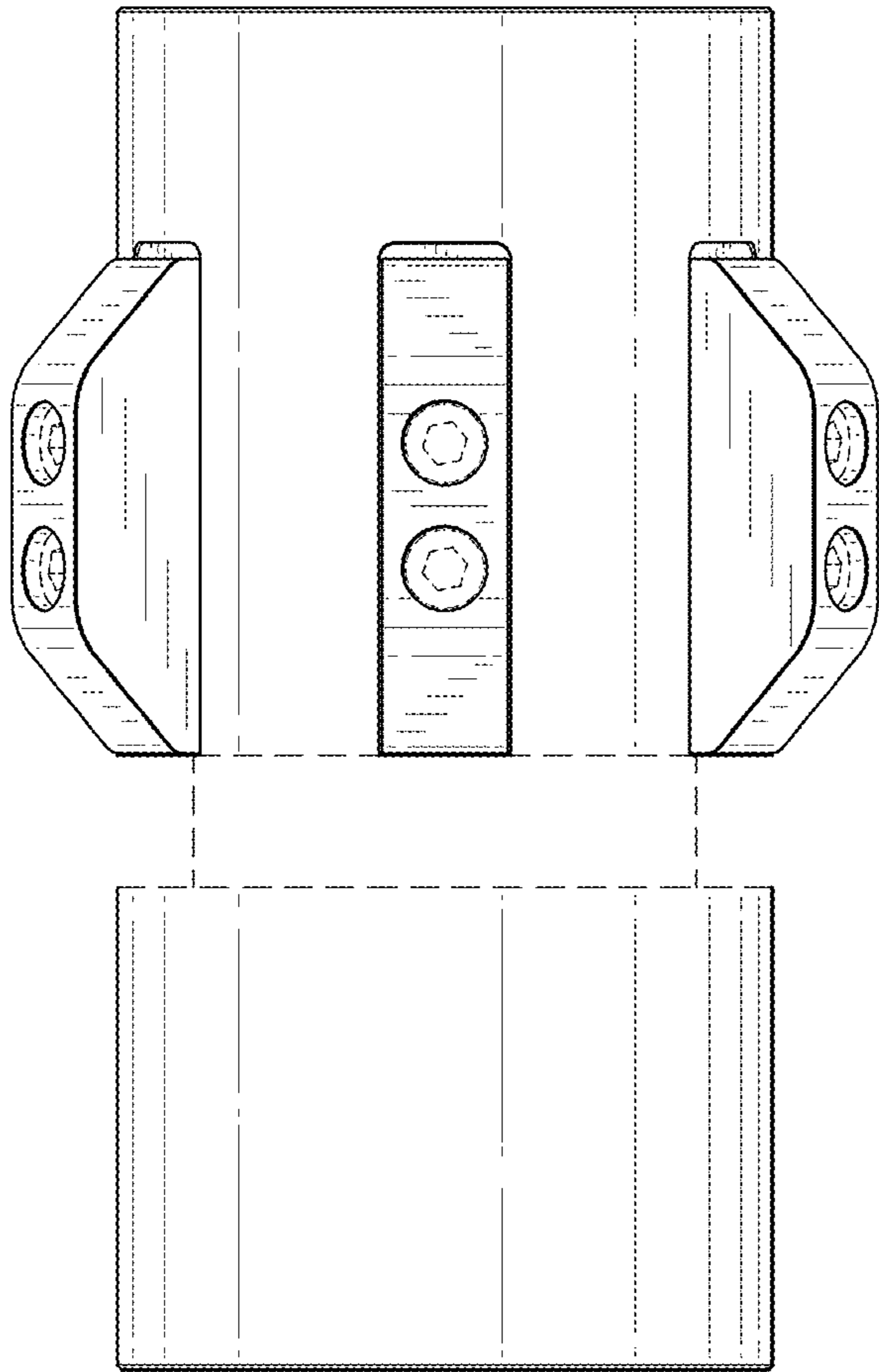


FIG. 25

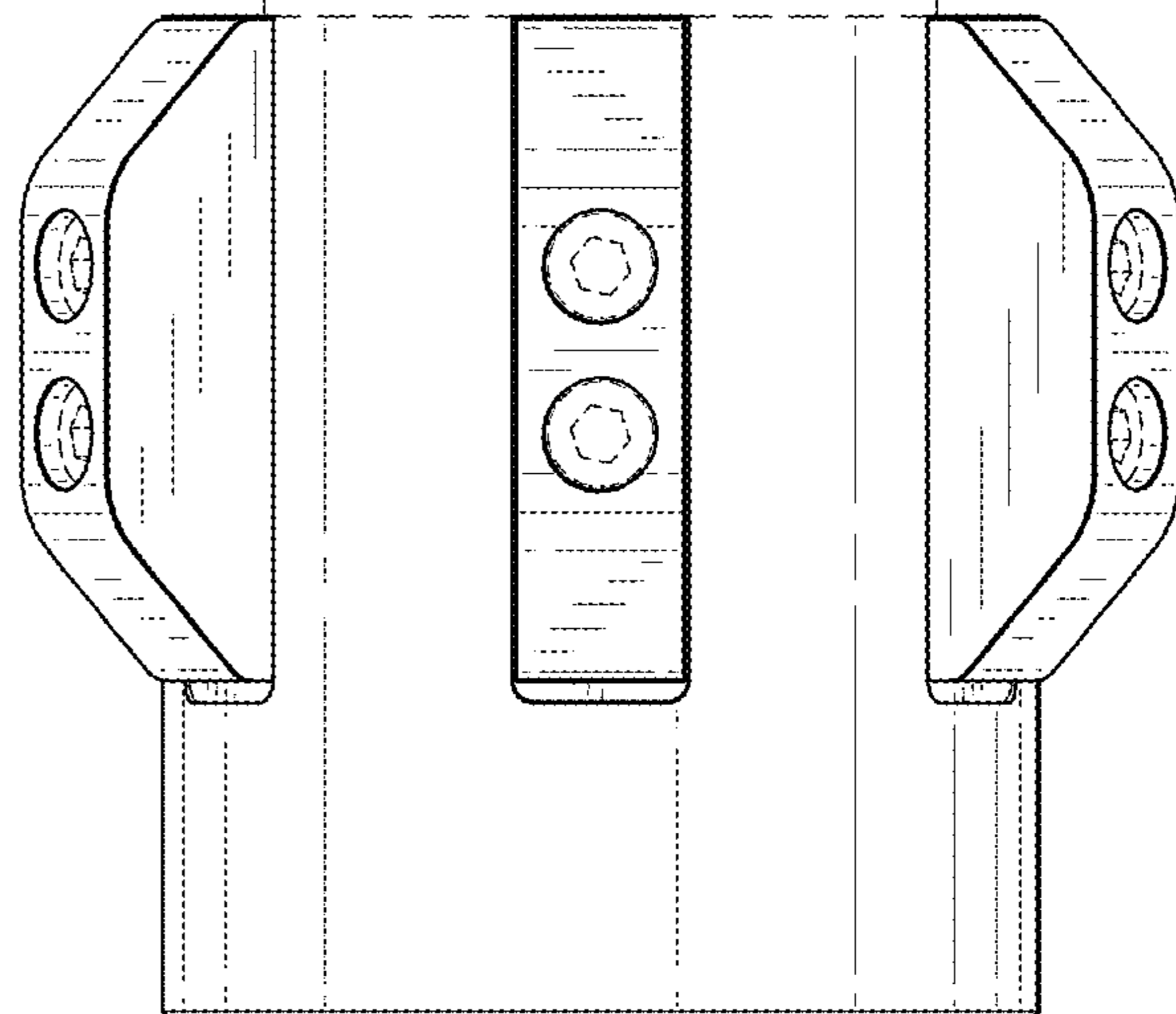
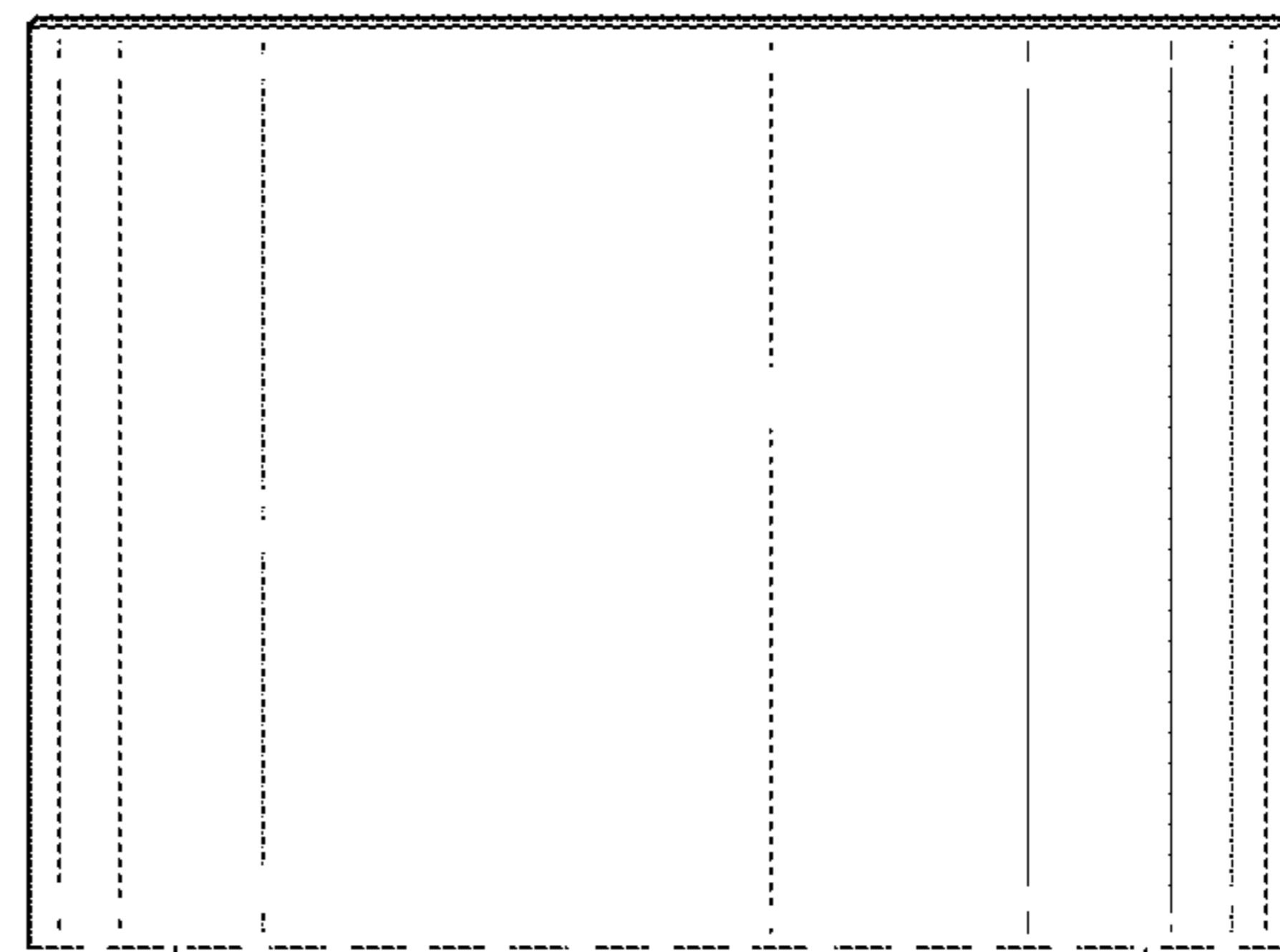


FIG. 26

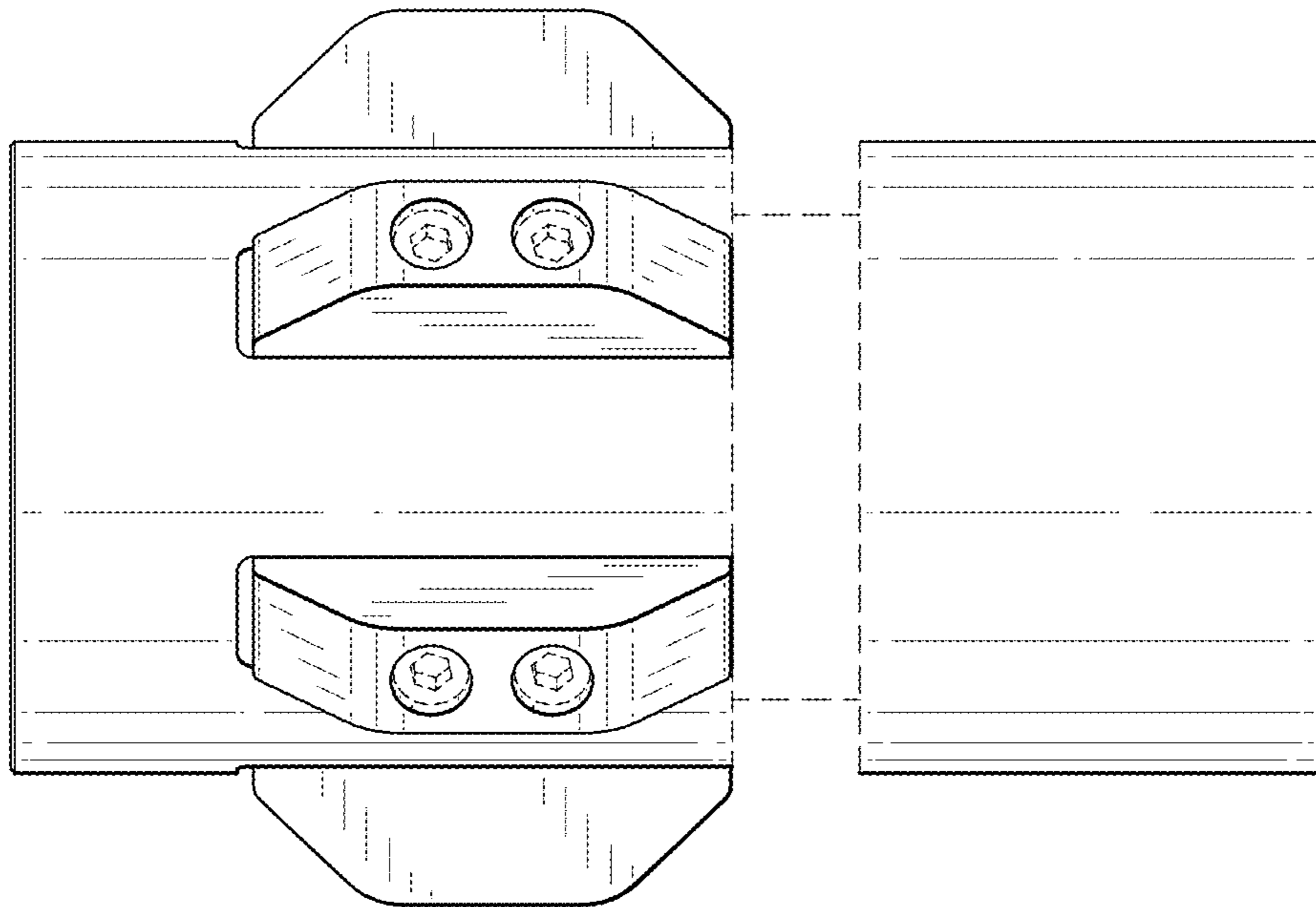


FIG. 27

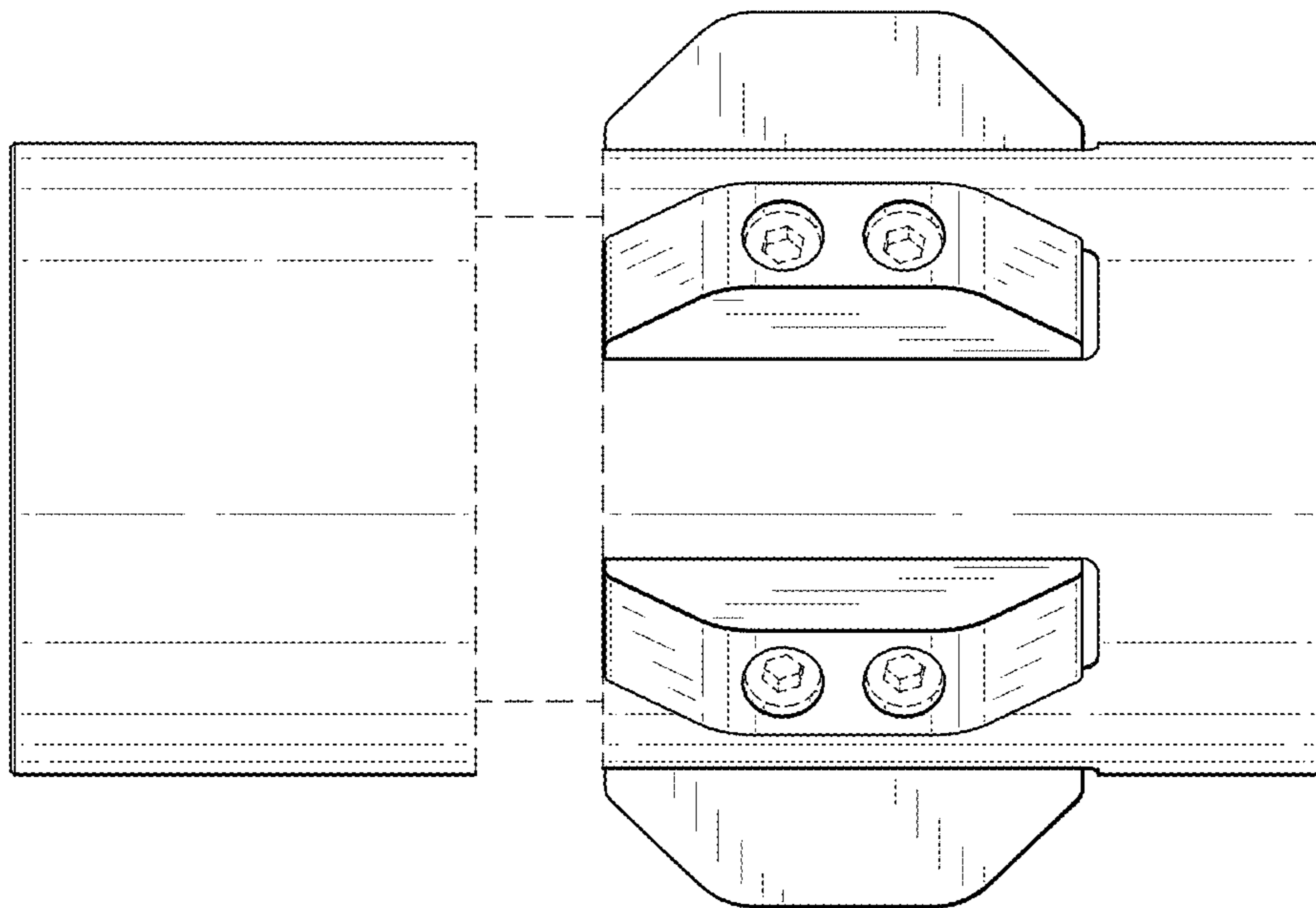


FIG. 28

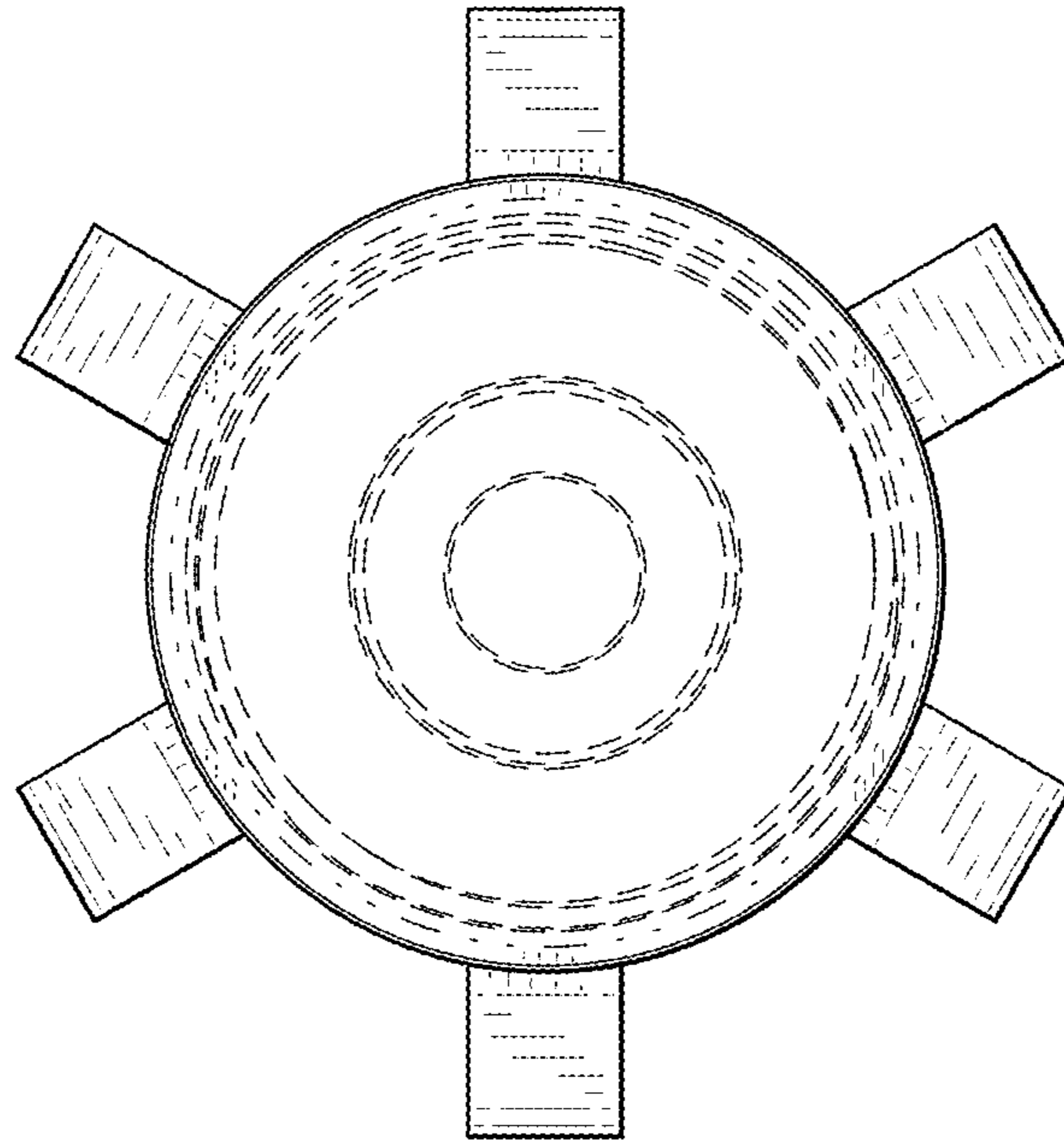


FIG. 29

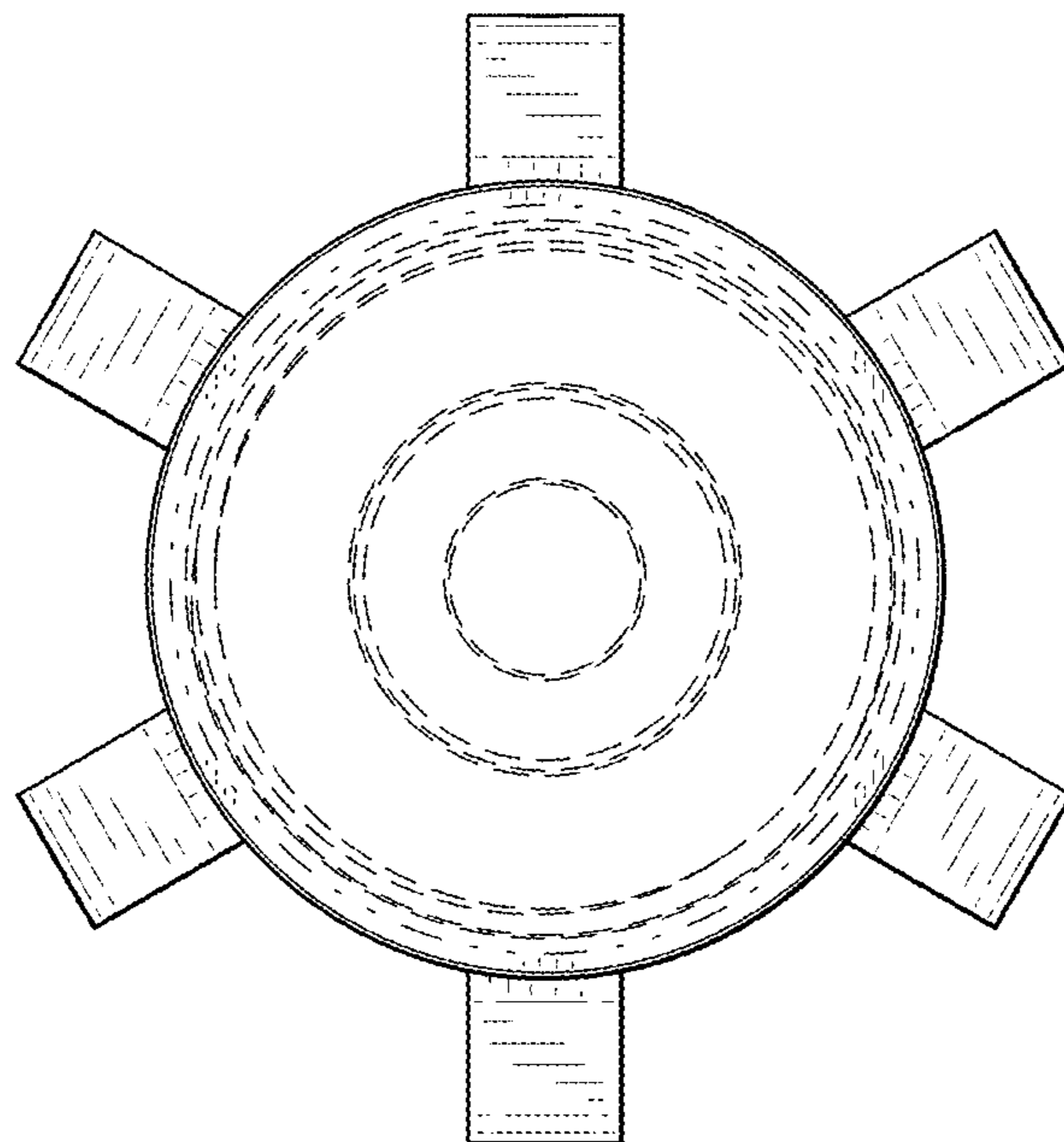


FIG. 30