



US00D892275S

(12) **United States Design Patent**
Forrestal et al.

(10) **Patent No.:** **US D892,275 S**
(45) **Date of Patent:** **** Aug. 4, 2020**

(54) **DISINFECTION DEVICE FOR A VALVE**

(71) Applicant: **Reliance Worldwide Corporation (Aust.) Pty. Ltd.**, Melbourne (AU)

(72) Inventors: **David P. Forrestal**, Melbourne (AU); **Jake Hardt**, Melbourne (AU); **Gary Hay**, Melbourne (AU)

(73) Assignee: **Reliance Worldwide Corporation (Aust.) Pty. Ltd.**, Melbourne (AU)

(**) Term: **15 Years**

(21) Appl. No.: **29/632,632**

(22) Filed: **Jan. 9, 2018**

(30) **Foreign Application Priority Data**

Jul. 11, 2017 (AU) 201714175

(51) **LOC (12) Cl.** **23-01**

(52) **U.S. Cl.**
USPC **D23/259**

(58) **Field of Classification Search**
USPC D23/207–209, 233–237, 249, D23/259.262–266, 268–269; 285/15–16, 285/31, 33, 45, 53, 86, 104, 148.2, 285/148.19–148.22, 133.21, 245, 257, 285/291.1, 291.2, 335, 423, 355, 390, 34, 285/305, 321, 323, 417; 251/146–152, 251/215–216, 143, 155, 162, 357; 138/99; D24/129; 137/625.4; 236/12.1; D8/397, 399; D13/133, 154; D32/31–33
CPC F16K 11/07; F16K 31/002; F16L 11/00; F16L 25/01; F16L 17/10; F16L 59/14
See application file for complete search history.

(56) **References Cited**

U.S. PATENT DOCUMENTS

D336,510 S * 6/1993 Sawtelle D23/262
5,405,120 A * 4/1995 Kerpan F16L 37/252
141/207

D526,383 S * 8/2006 Byerly D15/144.1
8,186,723 B2 * 5/2012 Kim F16L 21/007
285/104
8,322,755 B2 12/2012 Kluss et al.
8,327,871 B1 12/2012 Franklin et al.
D674,058 S * 1/2013 Yu D23/262
D676,940 S 2/2013 Kluss et al.
D676,941 S 2/2013 Kluss et al.
D676,942 S 2/2013 Kluss et al.
D676,943 S 2/2013 Kluss et al.
D693,429 S 11/2013 Thibodeaux, Jr.
D704,312 S * 5/2014 Kuo D23/259

(Continued)

OTHER PUBLICATIONS

SharkBite Push-To-Connect F61 Stop Ends; Website Copyright 2019; <http://www.sharkbite.com.au/product/f61-stop-ends/> (Year: 2019).*

Primary Examiner — Amy C Wierenga
(74) *Attorney, Agent, or Firm* — Bush Intellectual Property Law; Kenneth M. Bush

(57) **CLAIM**

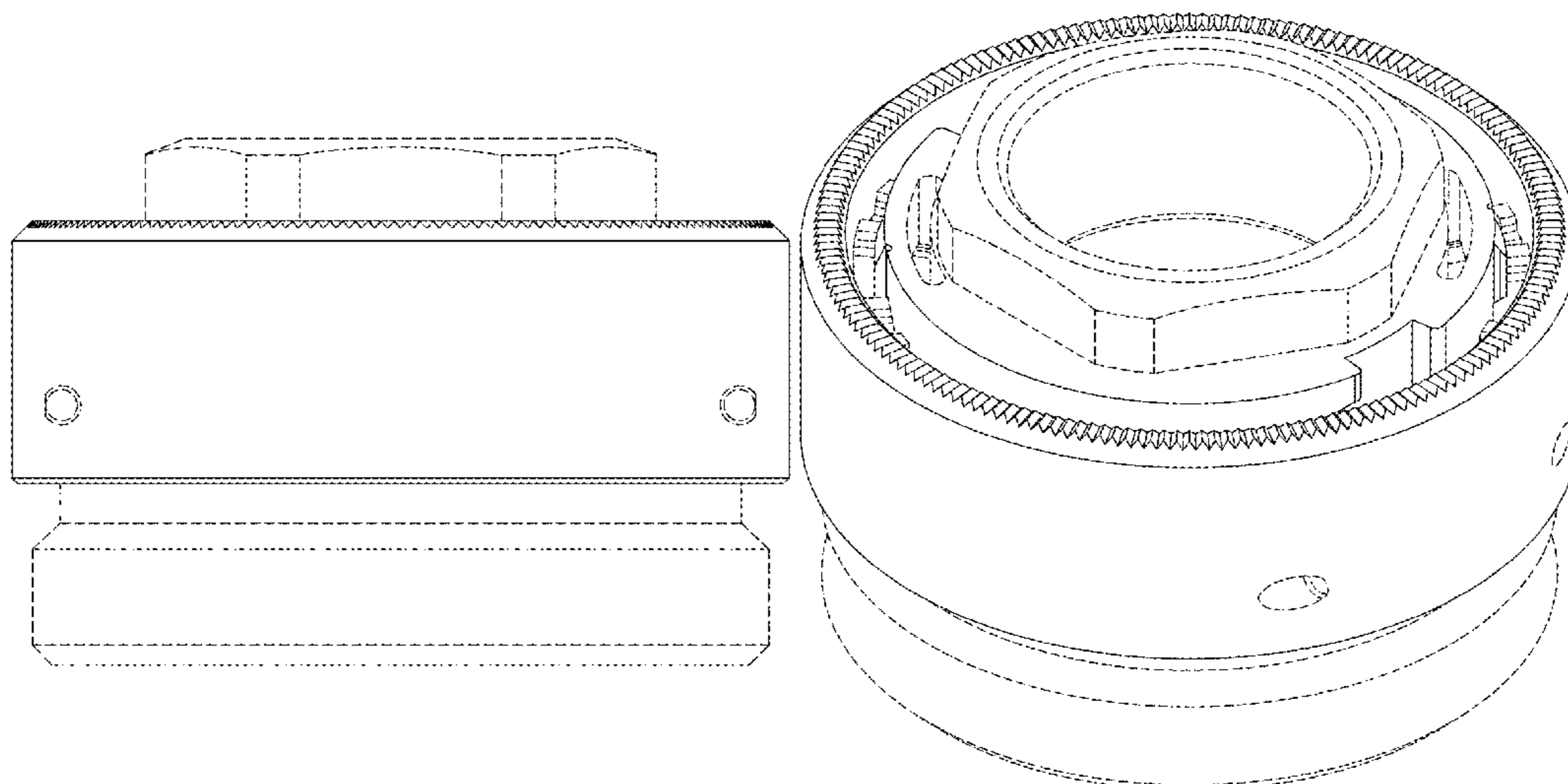
We claim the ornamental design for a disinfection device for a valve, as shown and described.

DESCRIPTION

FIG. 1 is a top plan view of a disinfection device for a valve showing our new design;
FIG. 2 is a bottom plan view thereof;
FIG. 3 is a left side elevation view thereof;
FIG. 4 is a right side elevation view thereof;
FIG. 5 is a top perspective view thereof; and,
FIG. 6 is a top perspective view thereof shown in use with a valve.

The evenly spaced broken lines shown in the drawings depict portions of the disinfection device for a valve and environmental subject matter that form no part of the claimed design.

1 Claim, 6 Drawing Sheets



(56)

References Cited

U.S. PATENT DOCUMENTS

D722,362 S	2/2015	Kluss et al.	
D722,363 S	2/2015	Kluss et al.	
D746,951 S	1/2016	Gledhill et al.	
D746,952 S	1/2016	Gledhill et al.	
D746,953 S	1/2016	Gledhill et al.	
D746,954 S	1/2016	Gledhill et al.	
D746,958 S	1/2016	Gledhill et al.	
D747,361 S	1/2016	Franklin	
D747,444 S	1/2016	Gledhill et al.	
9,228,681 B2	1/2016	Kluss	
D751,673 S	3/2016	Gledhill et al.	
D751,674 S	3/2016	Gledhill et al.	
D751,675 S	3/2016	Gledhill et al.	
D753,800 S *	4/2016	Callaghan	D23/249
D756,494 S	5/2016	Gledhill et al.	
D788,268 S *	5/2017	Gamache	D23/233
D799,639 S	10/2017	Carter	
2011/0169258 A1 *	7/2011	Nowak	D06F 39/088 285/18
2016/0018010 A1	1/2016	Forrestal	
2016/0033065 A1	2/2016	Graham et al.	

* cited by examiner

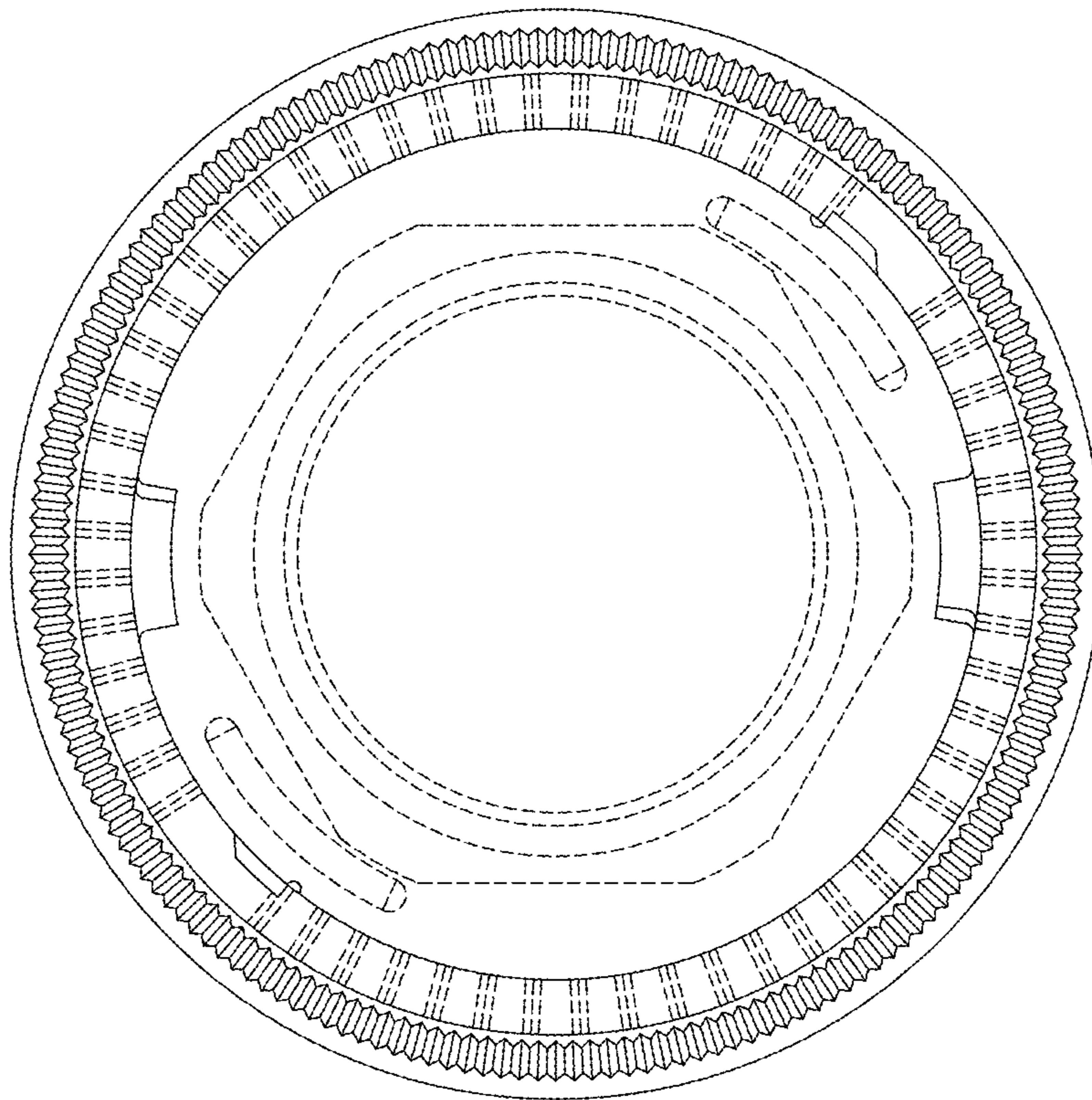


FIG. 1

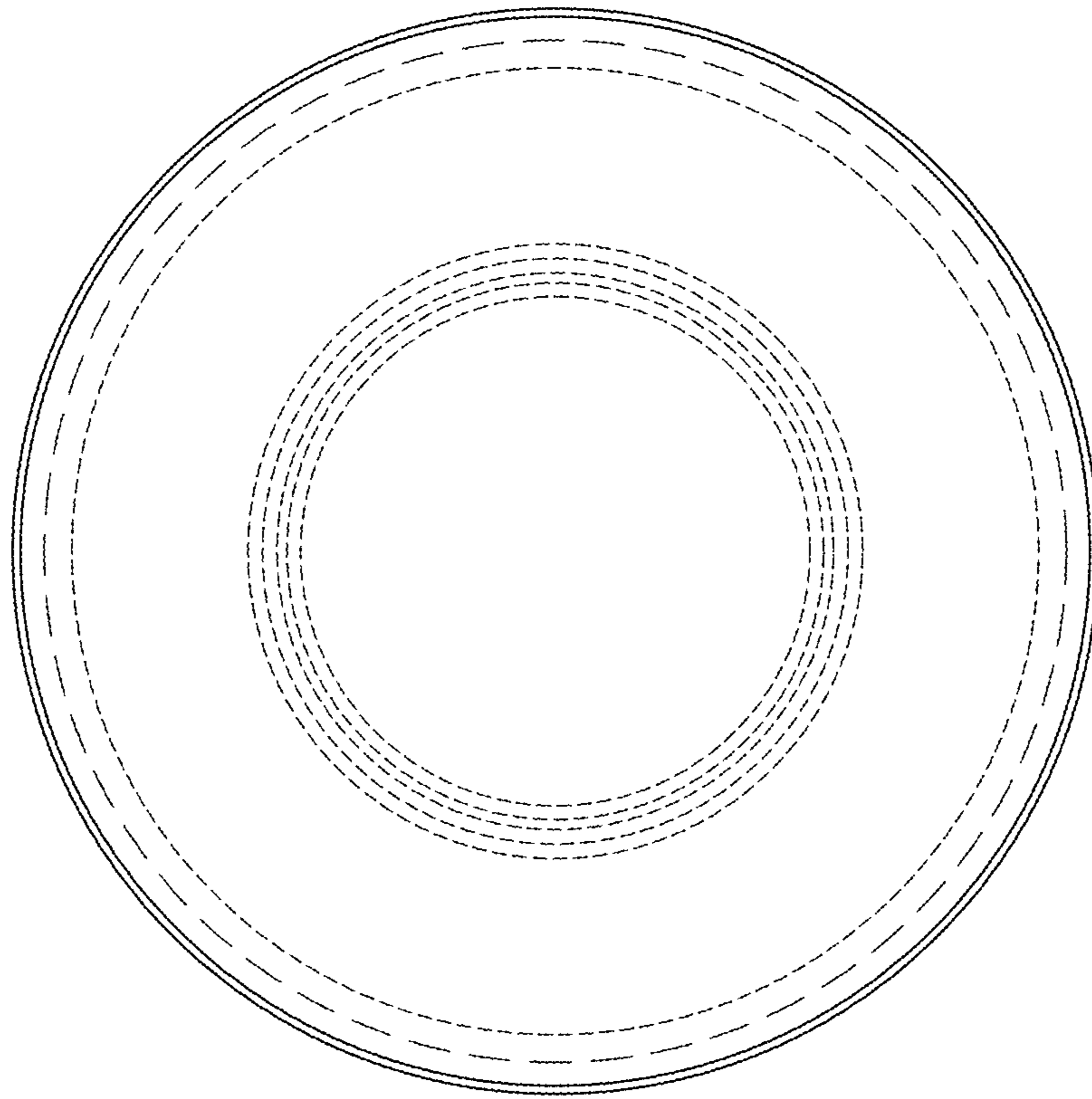


FIG. 2

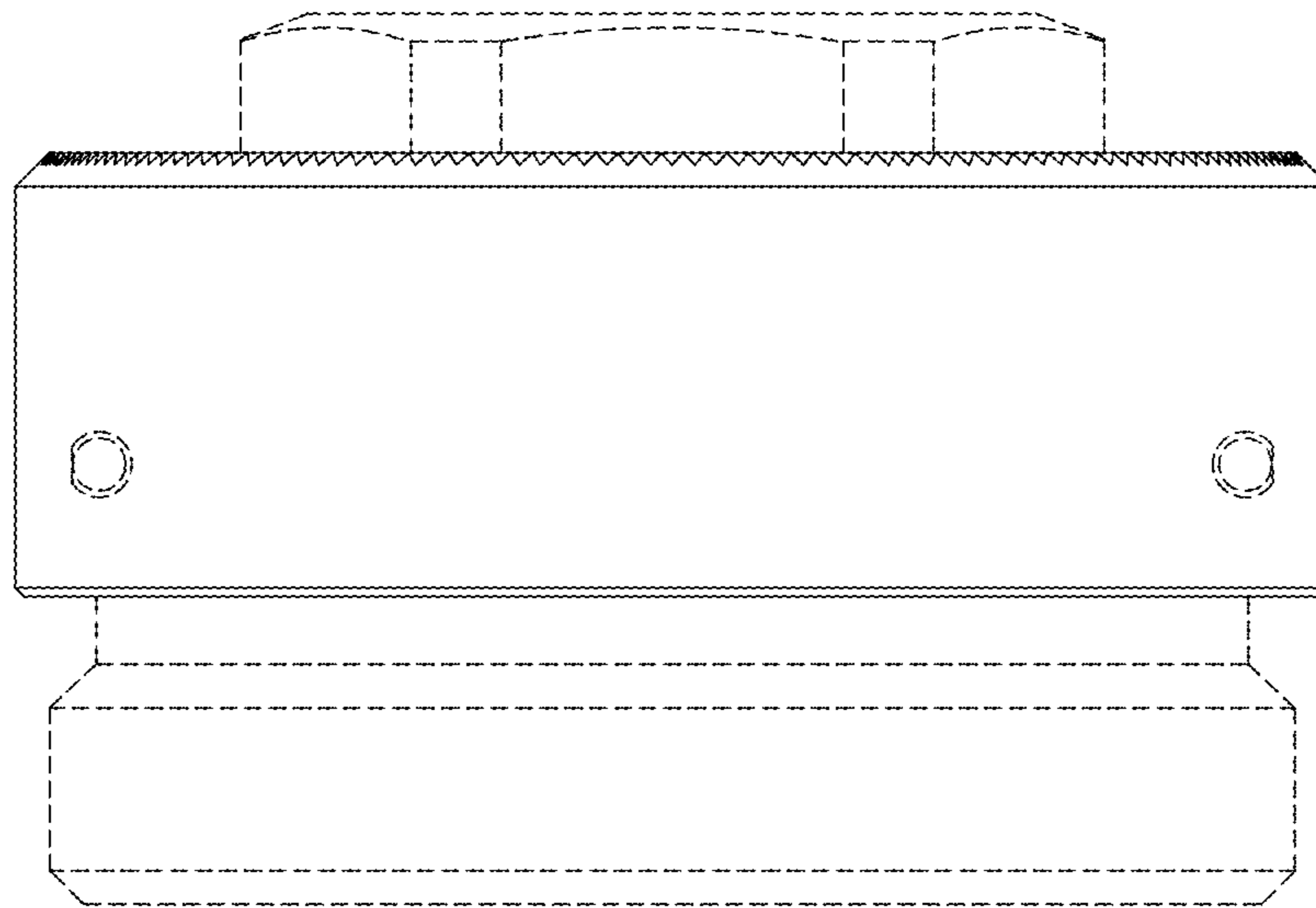


FIG. 3

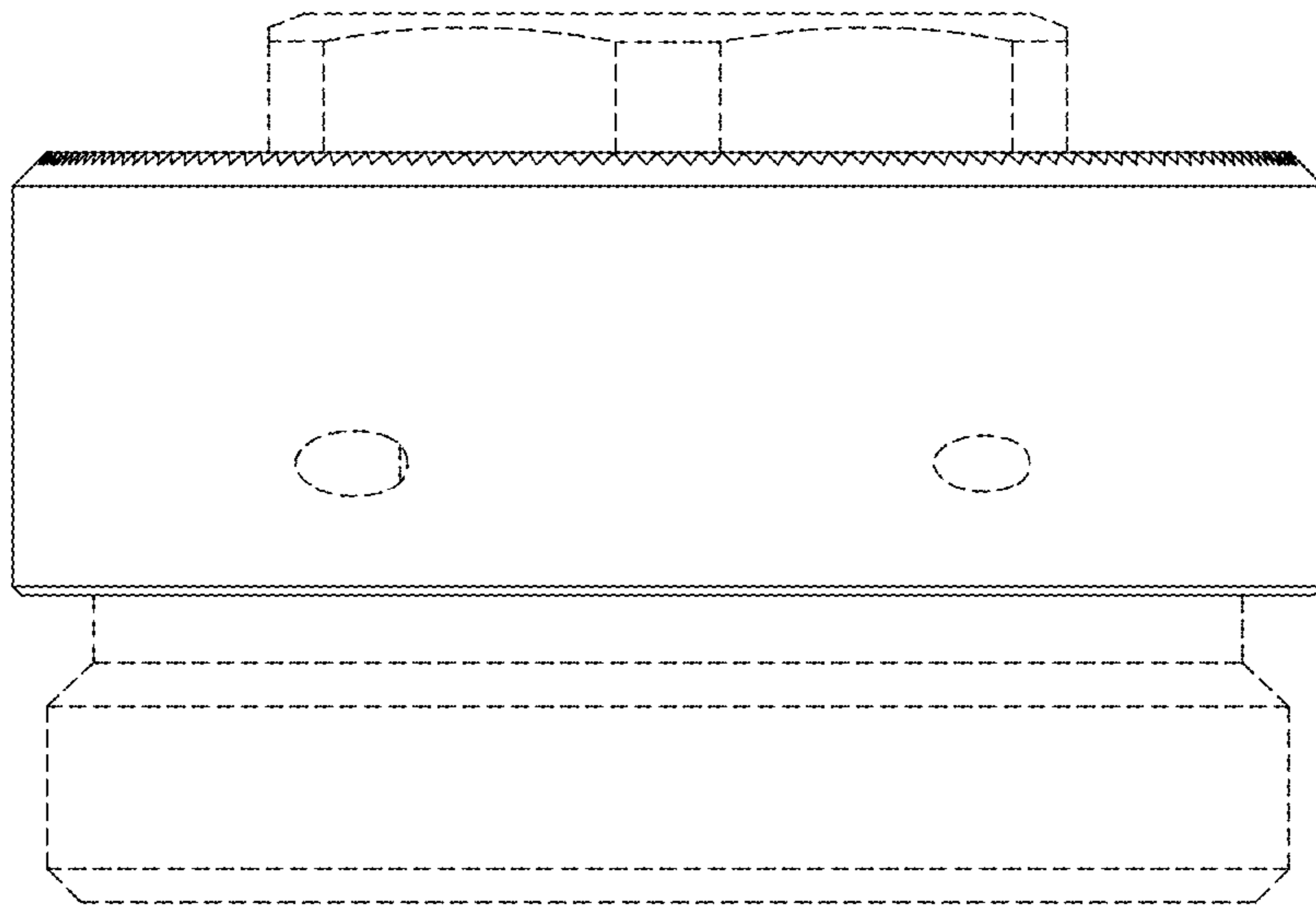


FIG. 4

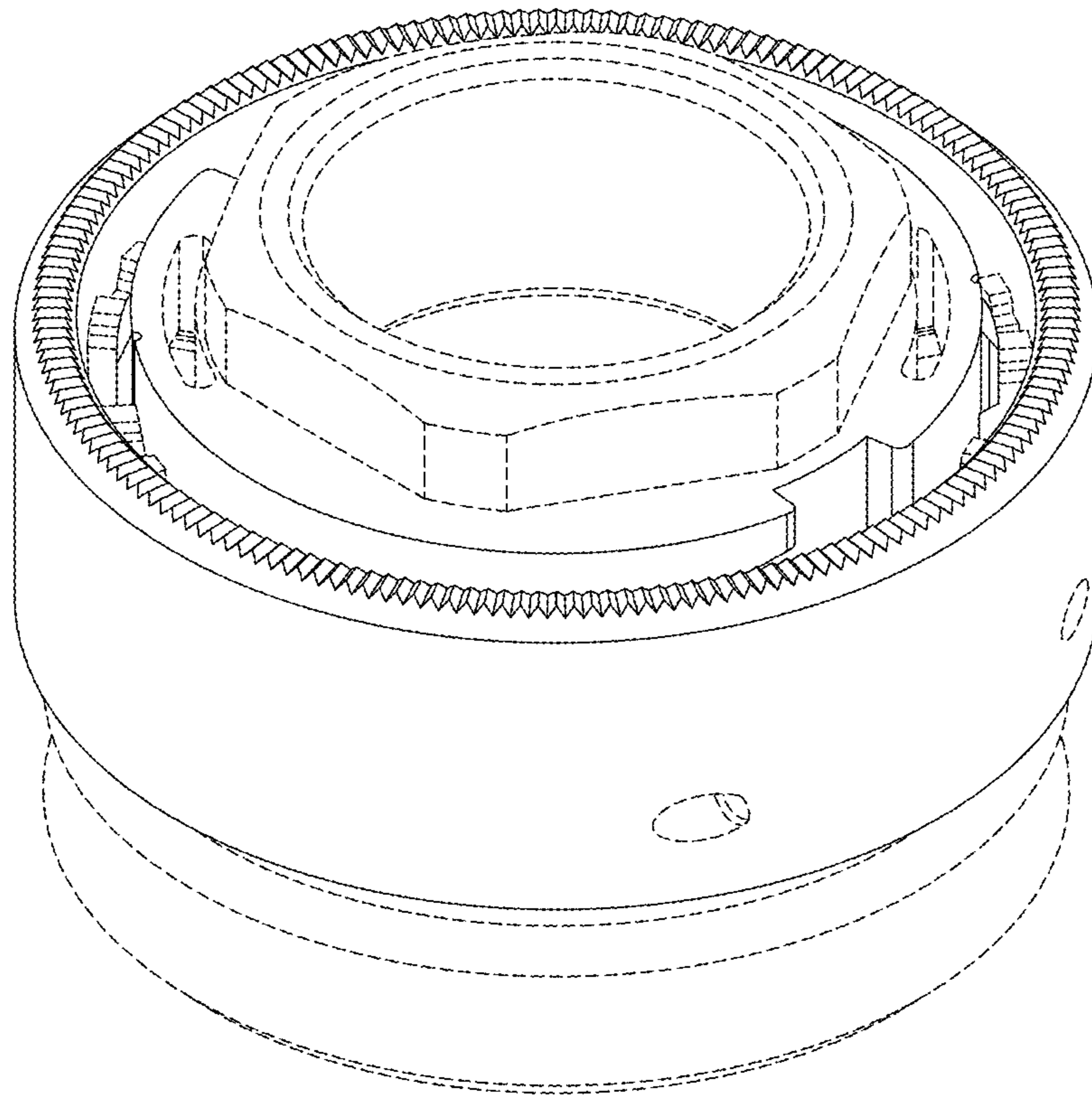


FIG. 5

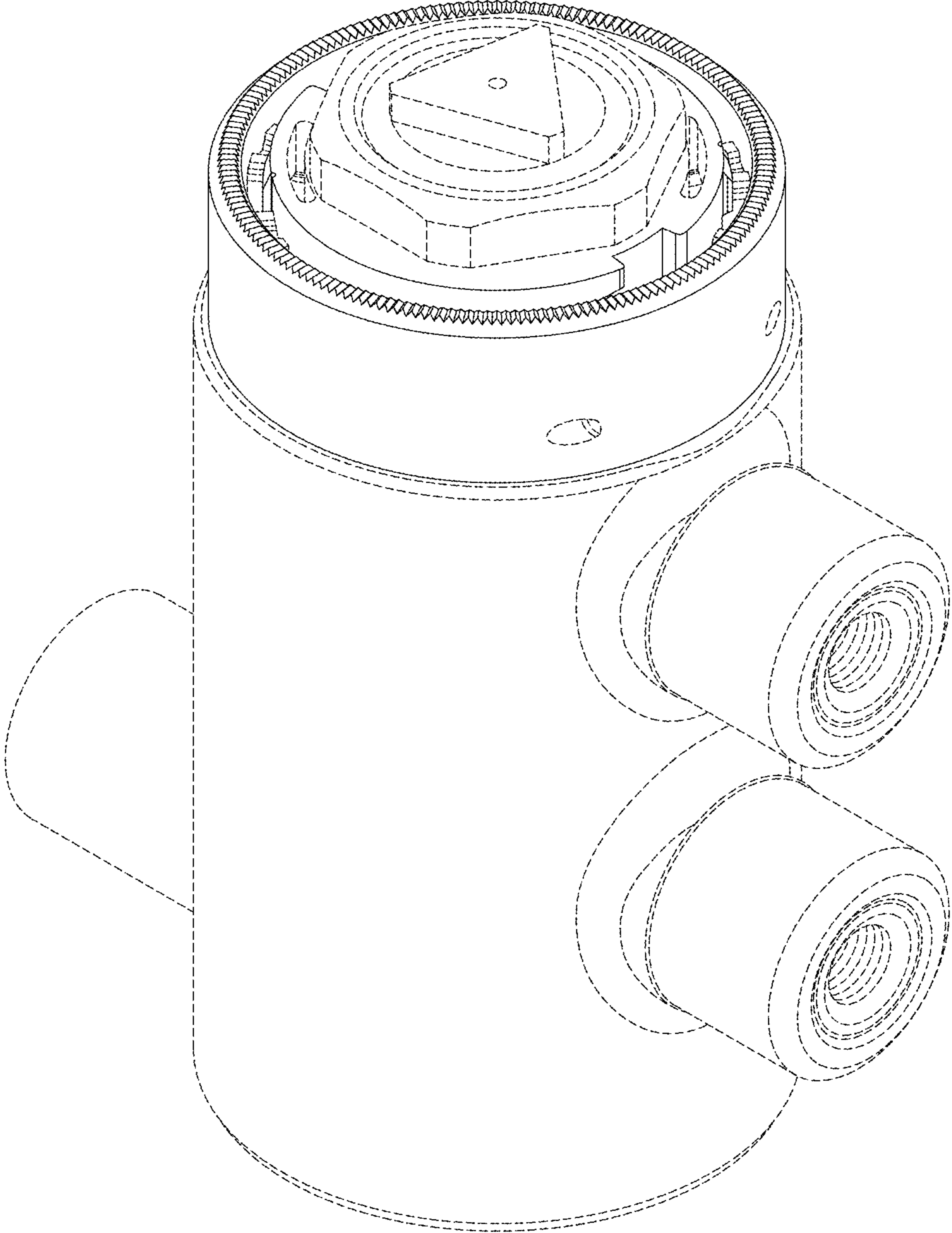


FIG. 6