



US00D892274S

(12) **United States Design Patent** (10) **Patent No.:** **US D892,274 S**
Soulier et al. (45) **Date of Patent:** **** Aug. 4, 2020**

(54) **FAUCET HANDLE**
(71) Applicant: **Kohler Co.**, Kohler, WI (US)
(72) Inventors: **Jean-Hugues Soulier**, Paris (FR);
Ferran Serra Sola, Paris (FR); **Drew Johnson**, Sheboygan, WI (US)

D127,734 S 6/1941 Dreyfuss
D279,213 S 6/1985 Paul
D292,820 S 11/1987 Kemp
D310,862 S 9/1990 Strignano
D310,865 S 9/1990 Strignano
D311,438 S 10/1990 Strignano
(Continued)

(73) Assignee: **KOHLER CO.**, Kohler, WI (US)

(**) Term: **15 Years**

(21) Appl. No.: **29/658,297**

(22) Filed: **Jul. 30, 2018**

Related U.S. Application Data

(62) Division of application No. 29/641,442, filed on Mar. 22, 2018, now Pat. No. Des. 837,943, which is a division of application No. 29/595,290, filed on Feb. 27, 2017, now Pat. No. Des. 823,440.

(51) **LOC (12) Cl.** **23-01**
(52) **U.S. Cl.**
USPC **D23/250**

(58) **Field of Classification Search**
USPC D23/257, 249, 254, 259, 255, 233, 234,
D23/235, 236, 237, 238, 239, 240, 241,
D23/242, 243, 244, 245, 246, 247, 248,
D23/250, 251, 252, 253, 256, 50;
D8/308, 307, 321; D11/1, 3, 26, 37, 38,
D11/39, 86
CPC E03C 1/01; E03C 1/0409; E03C 1/025;
E03C 1/0408; Y10T 137/5339; Y10T
137/6014; Y10T 137/6021
See application file for complete search history.

(56) **References Cited**

U.S. PATENT DOCUMENTS

D59,314 S * 10/1921 Winsen D11/38
D63,931 S * 2/1924 Bowden D11/38
D110,995 S 8/1938 Bellem, Jr.

OTHER PUBLICATIONS

Hotel Management, Classy faucet: The Wheel by Waterstone, posted Sep. 29, 2016, [online], [visited Aug. 23, 2019]. Internet, URL: <https://www.hotelmanagement.net/design-trends/classy-faucet-wheel-by-waterstone> (Year: 2016).*

(Continued)

Primary Examiner — Sheryl Lane

Assistant Examiner — Samantha N Wood

(74) *Attorney, Agent, or Firm* — Foley & Lardner LLP

(57) **CLAIM**

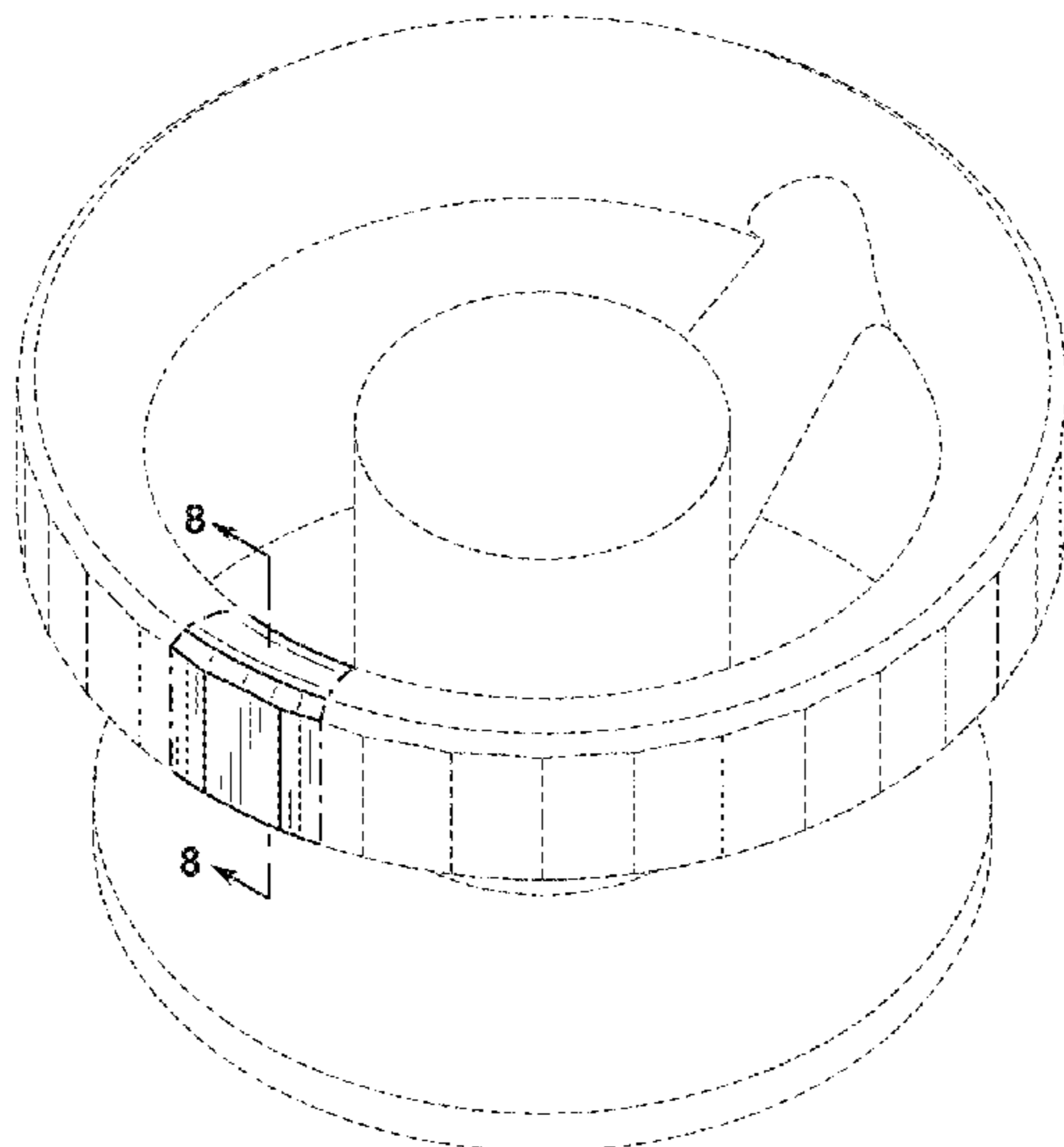
We claim the ornamental design for a faucet handle, as shown and described.

DESCRIPTION

FIG. 1 is a top, front, right perspective view of the claimed design;
FIG. 2 is a front elevation view thereof;
FIG. 3 is a top plan view thereof;
FIG. 4 is a right side elevation view thereof;
FIG. 5 is a left side elevation view thereof;
FIG. 6 is a rear elevation view thereof;
FIG. 7 is a bottom plan view thereof; and,
FIG. 8 is a cross-sectional view thereof taken across line 8-8 of FIG. 1.

The ornamental design which is claimed is shown in solid lines in the drawings. The dash-dash broken lines in the drawings depict portions of the faucet handle. The dash-dot lines depict a boundary. The broken lines form no part of the claimed design.

1 Claim, 4 Drawing Sheets



(56)

References Cited

U.S. PATENT DOCUMENTS

D312,495 S 11/1990 Joerger
 D354,548 S * 1/1995 Bollenbacher D23/241
 D441,844 S 5/2001 Fleischmann
 D442,263 S 5/2001 Warshawsky
 D454,513 S 3/2002 Gueit
 D462,421 S 9/2002 Hundley
 D487,586 S 3/2004 Haug
 D487,924 S * 3/2004 Lin D23/238
 D490,881 S * 6/2004 Lin D23/255
 D516,677 S 3/2006 Haug
 D526,883 S * 8/2006 Gilbert D8/307
 D527,794 S 9/2006 Sieger
 D531,277 S 10/2006 Tsai
 D531,702 S 11/2006 Haug
 D535,725 S 1/2007 Chu
 D541,383 S * 4/2007 Green D23/249
 D541,909 S 5/2007 Schoenherr
 D542,384 S 5/2007 Starck
 D543,609 S * 5/2007 Dolan D23/255
 D548,563 S 8/2007 Hoernig
 D568,447 S 5/2008 Lai
 D568,715 S 5/2008 Gustafson
 D581,494 S * 11/2008 Dolan D23/255
 D592,284 S 5/2009 Lammel
 D597,632 S 8/2009 Obara
 D622,820 S 8/2010 Bouroullec
 D624,991 S 10/2010 Kulig
 D627,858 S 11/2010 Hanna

D627,861 S 11/2010 Sandee et al.
 D641,456 S 7/2011 Bickerstaffe et al.
 D655,786 S 3/2012 Fukasawa
 D705,892 S * 5/2014 Standefer D23/200
 D713,236 S 9/2014 Park
 D714,915 S 10/2014 Von der Lancken
 D726,883 S 4/2015 Flowers
 D755,352 S 5/2016 Mitsuoka
 D786,406 S 5/2017 Schoenherr
 D787,638 S 5/2017 Schoenherr
 D793,534 S 8/2017 Fritz

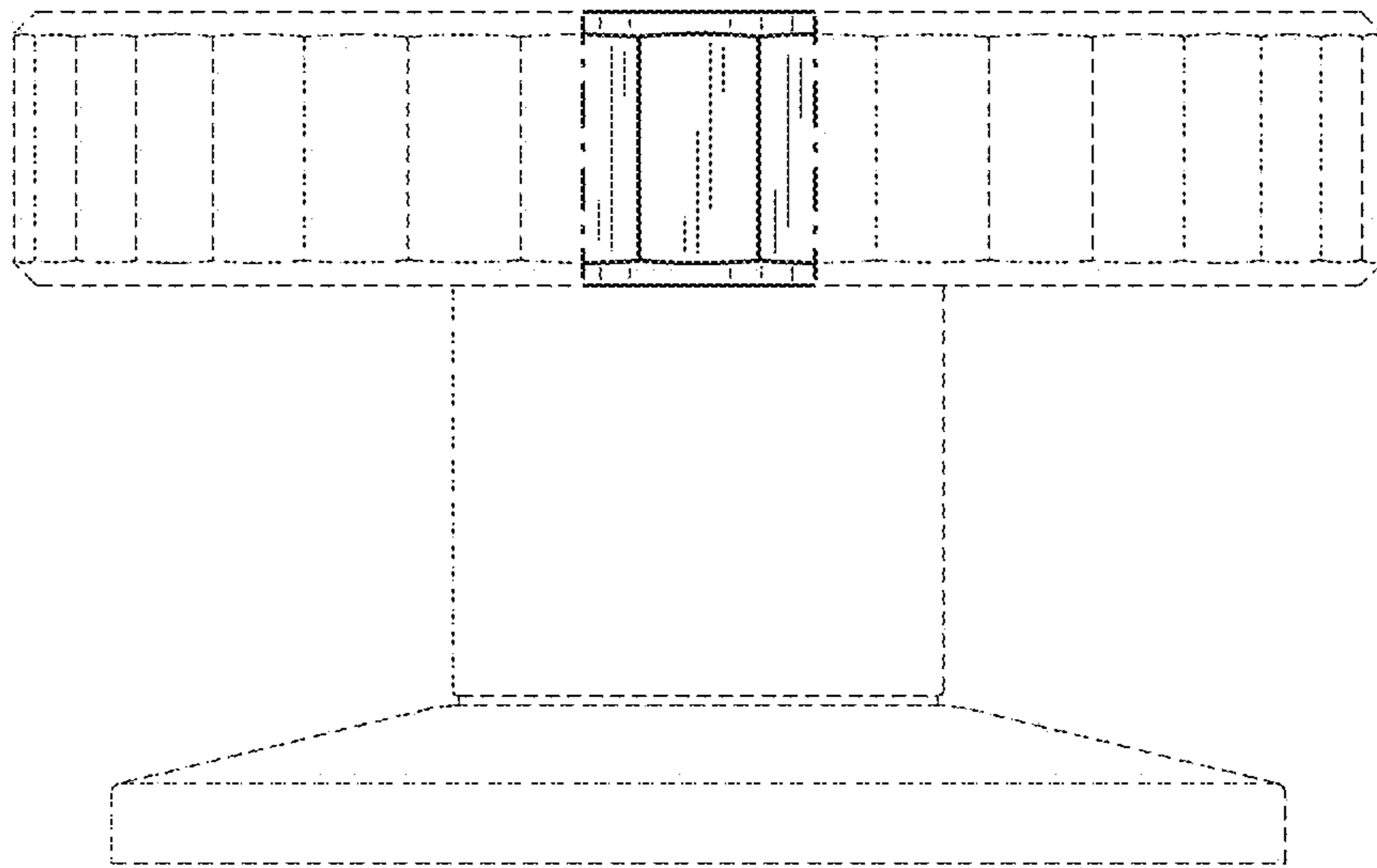
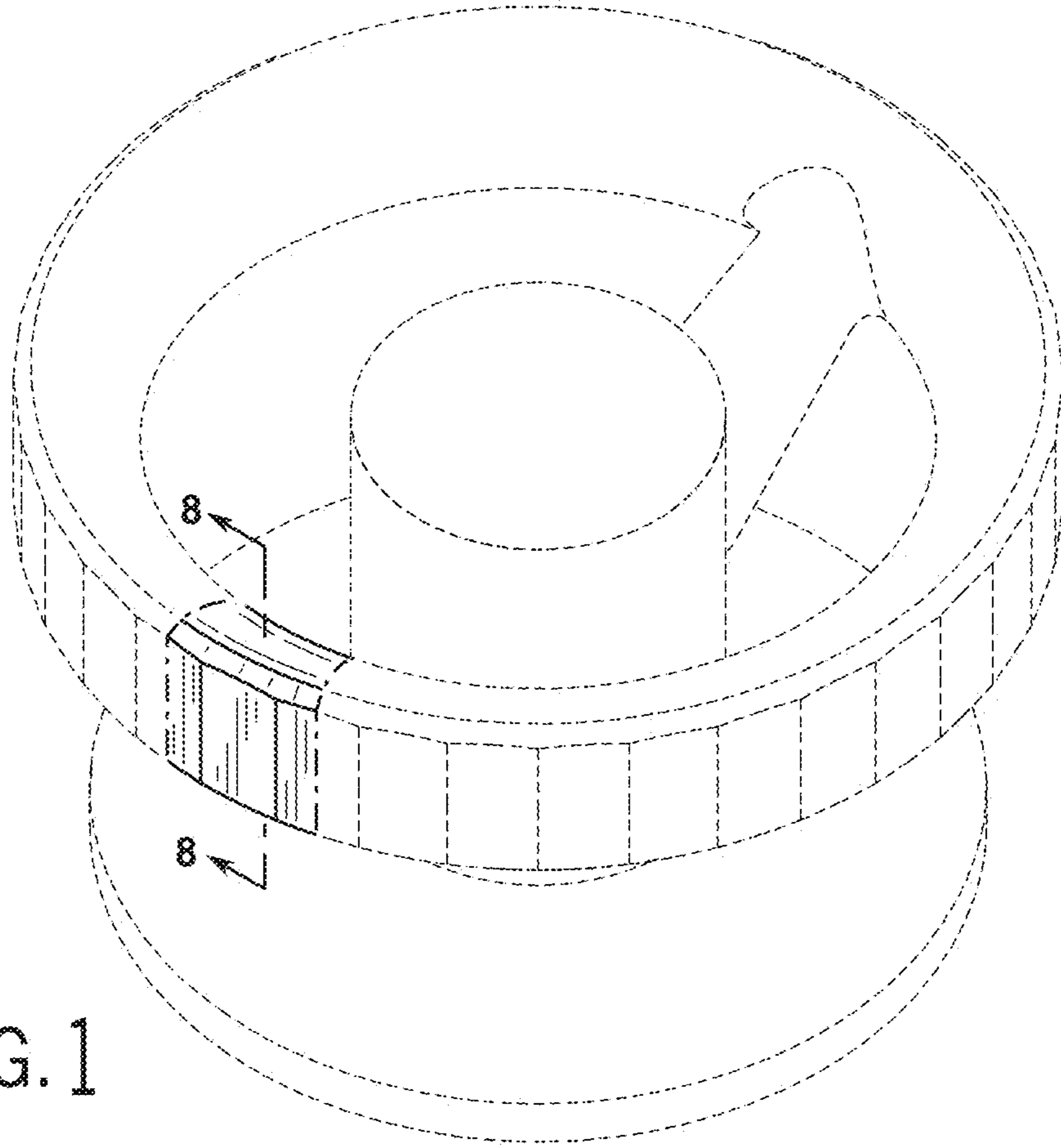
OTHER PUBLICATIONS

Amazon, JewelryWE Multi faceted ring, posted Jul. 13, 2013, [online], [visited Aug. 23, 2019]. Internet, URL: https://www.amazon.co.uk/JewelryWe-Arrivals-Comfort-Faceted-Engagement/dp/B00DU9FOUE/ref=cm_cr_arp_d_pdt_img_top?ie=UTF8 (Year: 2013).*

Amazon, Elli Women's Ring, posted Oct. 11, 2016, [online], [visited Aug. 23, 2019]. Internet, URL: https://www.amazon.co.uk/Elli-Womens-Sterling-Silver-Plated/dp/B01LPSPKCI/ref=sr_1_79?keywords=hexagon+ring&qid=1566577892&s=gateway&sr=8-79 (Year: 2016).*

Amazon, Tioneer Multi-faceted wedding band, posted Oct. 24, 2012, [online], [visited Aug. 23, 2019]. Internet, URL: https://www.amazon.co.uk/Tungsten-Carbide-Polish-Multi-Faceted-Wedding/dp/B005IRP244/ref=cm_cr_arp_d_pdt_img_top?ie=UTF8 (Year: 2012).*

* cited by examiner



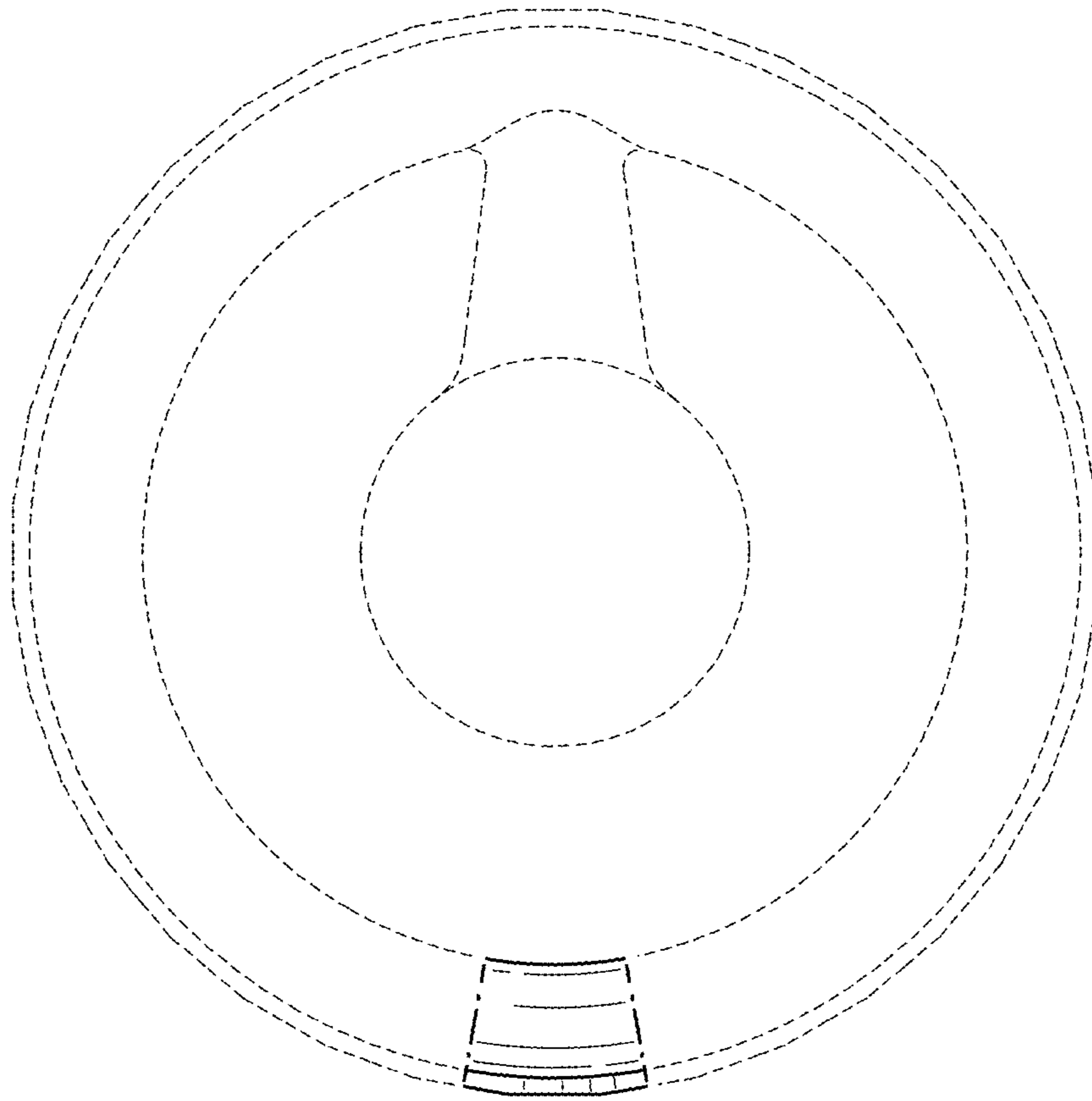


FIG. 3

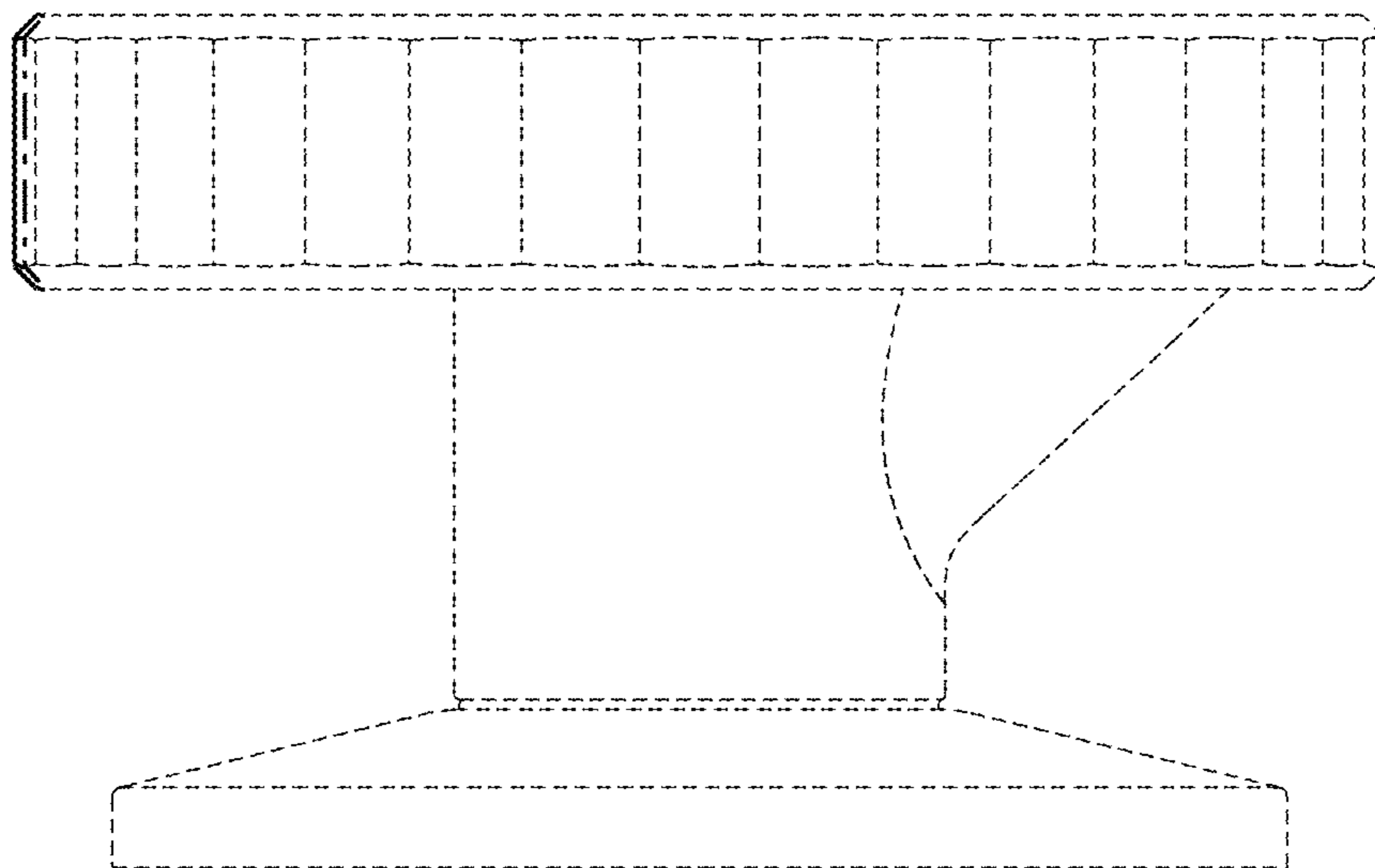


FIG. 4

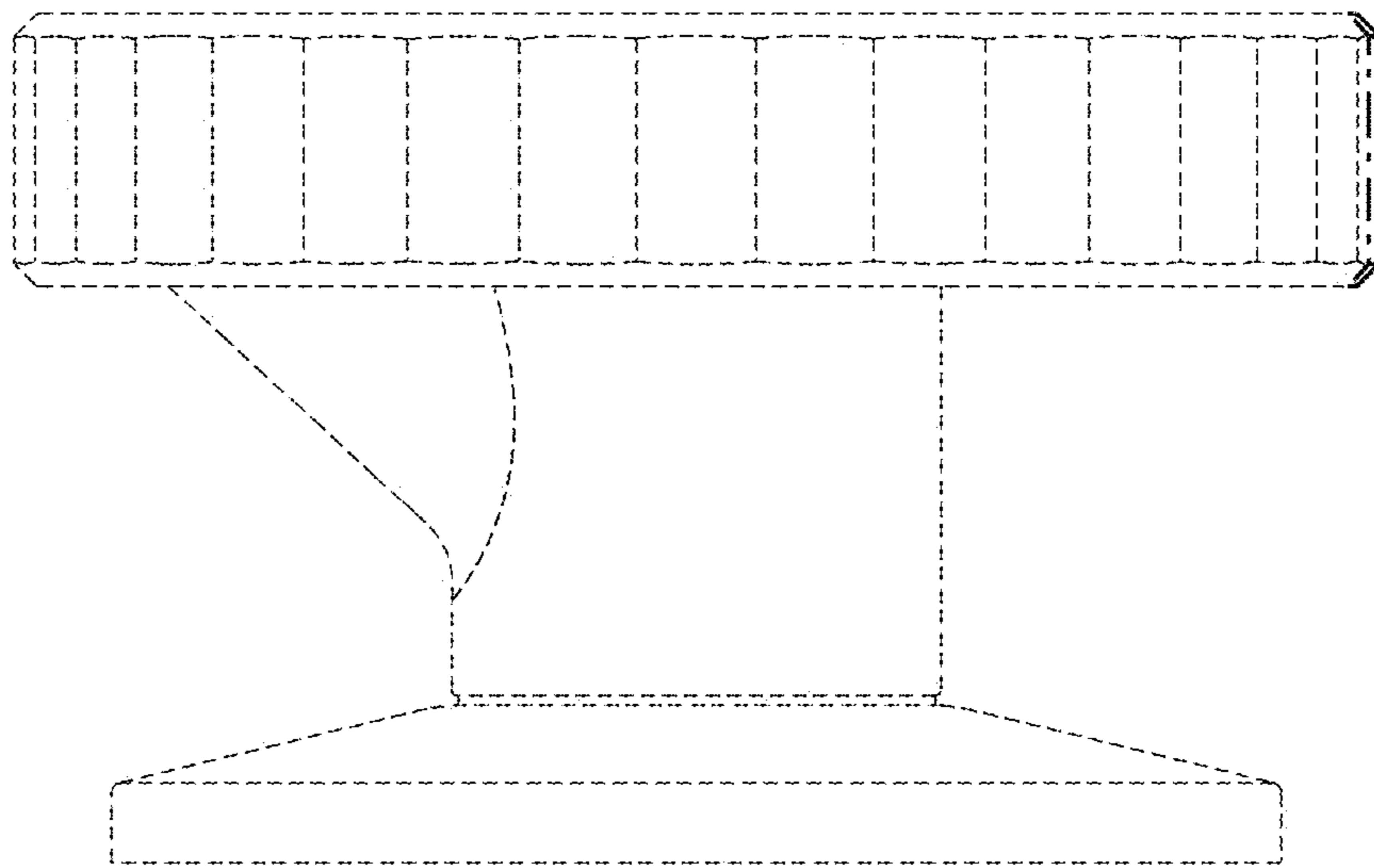


FIG. 5

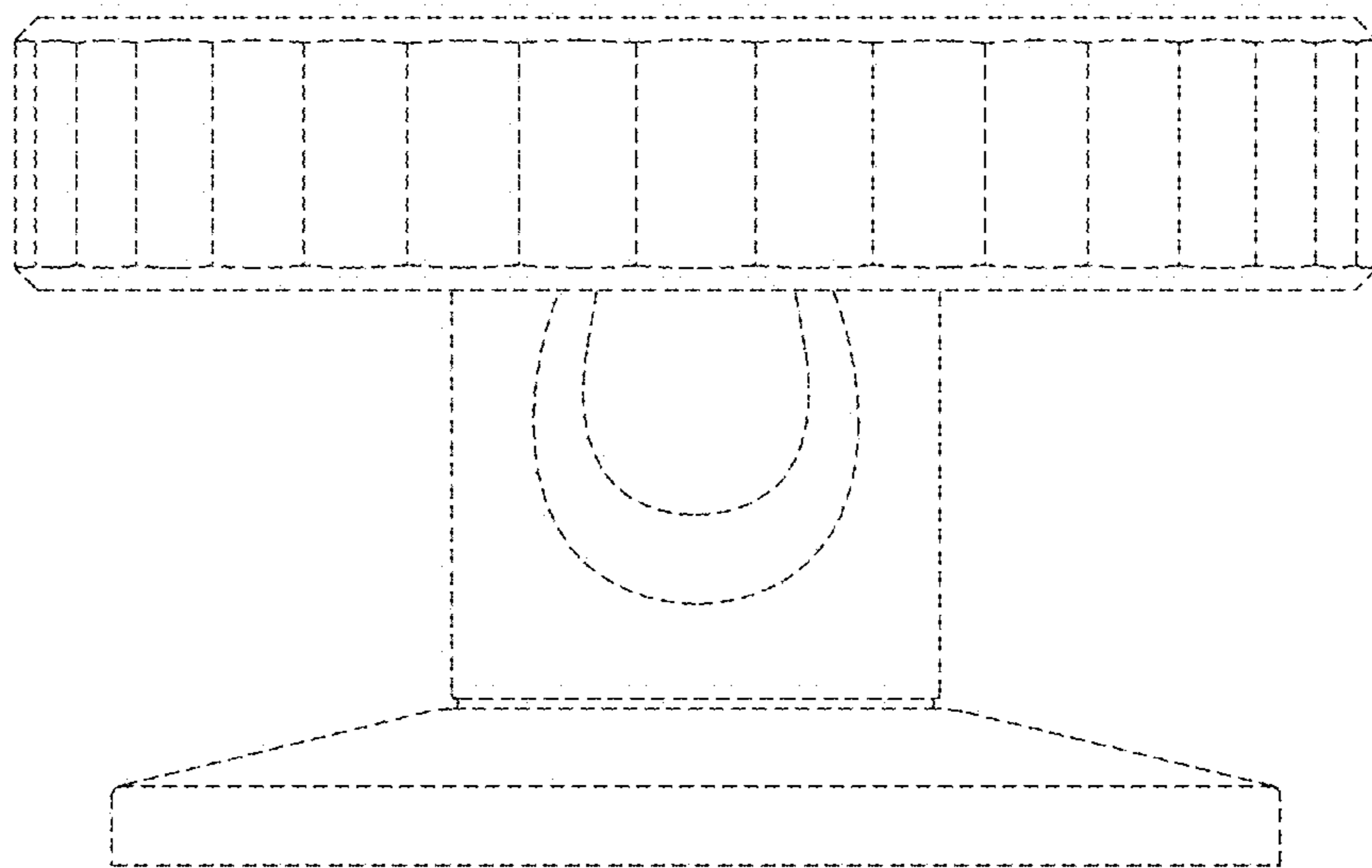


FIG. 6

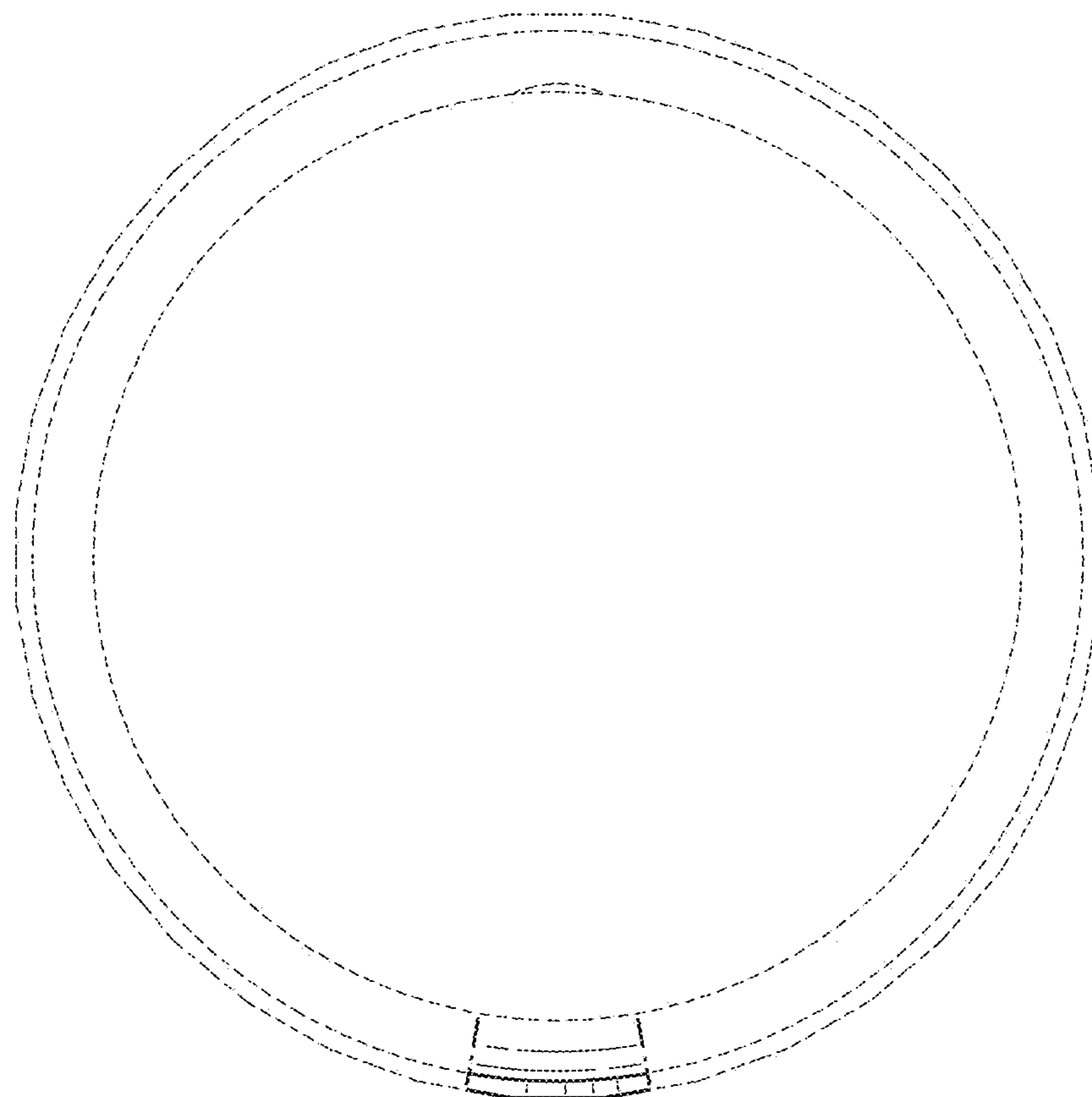


FIG. 7

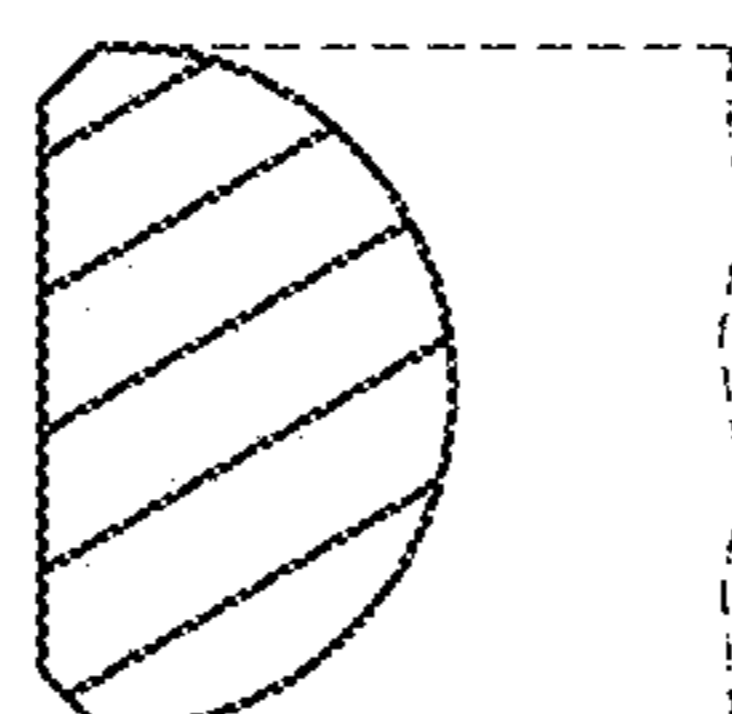


FIG. 8