



US00D892272S

(12) **United States Design Patent**
Urry

(10) **Patent No.:** **US D892,272 S**

(45) **Date of Patent:** **** Aug. 4, 2020**

(54) **HOSE NOZZLE**

9,707,573 B1 * 7/2017 Huang B05B 1/3073
9,770,731 B1 * 9/2017 Chen B05B 9/01
D819,783 S * 6/2018 Urry D23/223

(Continued)

(71) Applicant: **Orbit Irrigation Products, LLC**, North Salt Lake, UT (US)

(72) Inventor: **Andrew Mark Urry**, Riverton, UT (US)

(73) Assignee: **Orbit Irrigation Products, LLC**, North Salt Lake, UT (US)

(**) Term: **15 Years**

(21) Appl. No.: **29/690,608**

(22) Filed: **May 9, 2019**

(51) **LOC (12) Cl.** **23-01**

(52) **U.S. Cl.** **D23/223; D23/213**
USPC

(58) **Field of Classification Search**
USPC D23/213, 214, 215, 223, 224, 226, 229, D23/230

CPC A61H 9/0021; A61H 33/00; B05B 1/00; B05B 1/14; B05B 1/185; B05B 1/08; B05B 1/02; B05B 1/26; B05B 12/002; B05B 1/18; B05B 9/01

See application file for complete search history.

(56) **References Cited**

U.S. PATENT DOCUMENTS

8,950,693 B2 * 2/2015 Hsieh B05B 1/3026
239/526
D726,872 S * 4/2015 Thurgood D23/223
D749,696 S * 2/2016 Thurgood D23/223
D760,349 S 6/2016 Chen
D767,091 S * 9/2016 Chen D23/223
D767,094 S * 9/2016 Chen D23/223
D768,817 S * 10/2016 Chen D23/223
D779,036 S * 2/2017 Chen D23/223
D783,123 S * 4/2017 Chen D23/226

OTHER PUBLICATIONS

<https://www.amazon.com/Orbit-Hose-High-Water-Nozzles/dp/B07CHQBTR3> (Year: 2019).*

(Continued)

Primary Examiner — Manpreet S Matharu

Assistant Examiner — Keith J Wilson

(74) *Attorney, Agent, or Firm* — Austin Rapp

(57) **CLAIM**

The ornamental design for a hose nozzle, as shown and described.

DESCRIPTION

FIG. 1 is a first top perspective view of a hose nozzle, according to my new design;

FIG. 2 is a second top perspective view of the hose nozzle;

FIG. 3 is a first bottom perspective view of the hose nozzle;

FIG. 4 is a second bottom perspective view of the hose nozzle;

FIG. 5 is a front side elevational view of the hose nozzle;

FIG. 6 is a rear side elevational view of the hose nozzle;

FIG. 7 is a top side view of the hose nozzle;

FIG. 8 is a bottom side view of the hose nozzle;

FIG. 9 is a left side elevational view of the hose nozzle;

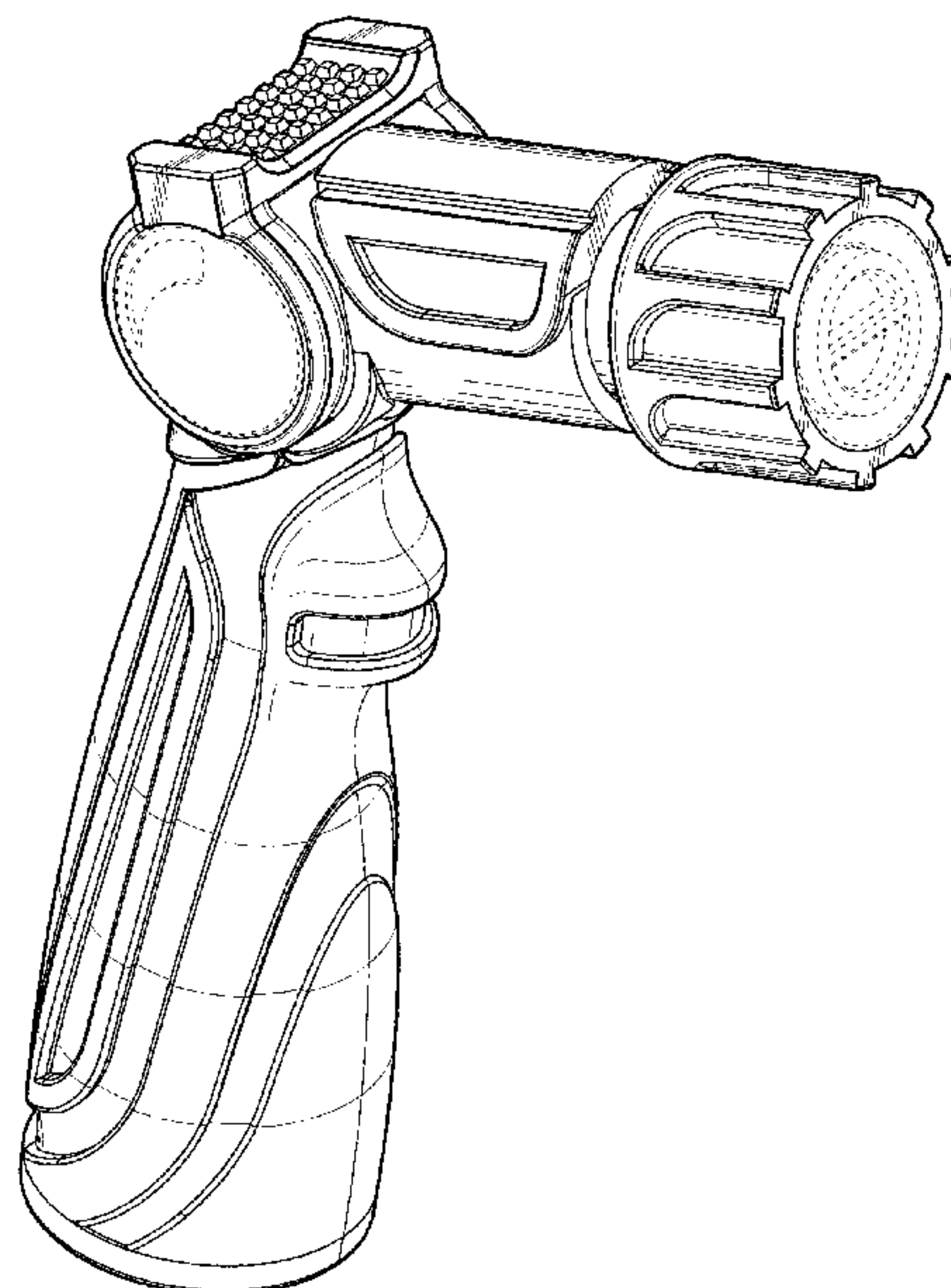
FIG. 10 is a right side elevational view of the hose nozzle;

FIG. 11 is a right side elevational view of the hose nozzle in a first alternative position; and,

FIG. 12 is a right side elevational view of the hose nozzle in a second alternative position.

The broken lines in the figures are included for the purpose of illustrating unclaimed portions of the hose nozzle and form no part of the claimed design.

1 Claim, 12 Drawing Sheets



(56)

References Cited

U.S. PATENT DOCUMENTS

D820,952 S	6/2018	Chen	
D820,953 S	6/2018	Chen	
D821,544 S *	6/2018	Urry D23/223
D822,160 S *	7/2018	Urry D23/223
D824,486 S *	7/2018	Urry D23/223
D824,492 S	7/2018	Chen	
10,213,800 B2	2/2019	Chen	
D855,758 S *	8/2019	Chen D23/223

OTHER PUBLICATIONS

U.S. Appl. No. 29/705,797, filed Sep. 16, 2019, Urry.

U.S. Appl. No. 29/701,444, filed Aug. 12, 2019, Urry.

Orbit Irrigation Products, LLC, Product No. 27823 shown in attachment 2 was sold or offered for sale at least by Mar. 31, 2016.

Orbit Irrigation Products, LLC, Product No. 58993 shown in attachment 3 was sold or offered for sale at least by Feb. 26, 2016.

Melnor, Inc., Product No. T301 shown in attachment 4 was sold or offered for sale at least by Apr. of 2013.

U.S. Appl. No. 29/690,607, filed May 9, 2019, Urry.

Orbit Irrigation Products, LLC, sold or offered for sale on or before Nov. 1, 2018 as part of multi-pack product Nos. 58958, 26032 or 96500.

Notice of Allowance and Fee(s) Due (including a Notice of Allowability For A Design Application section), U.S. Appl. No. 29/690,607, dated Apr. 7, 2020 (included in attachment 5).

* cited by examiner

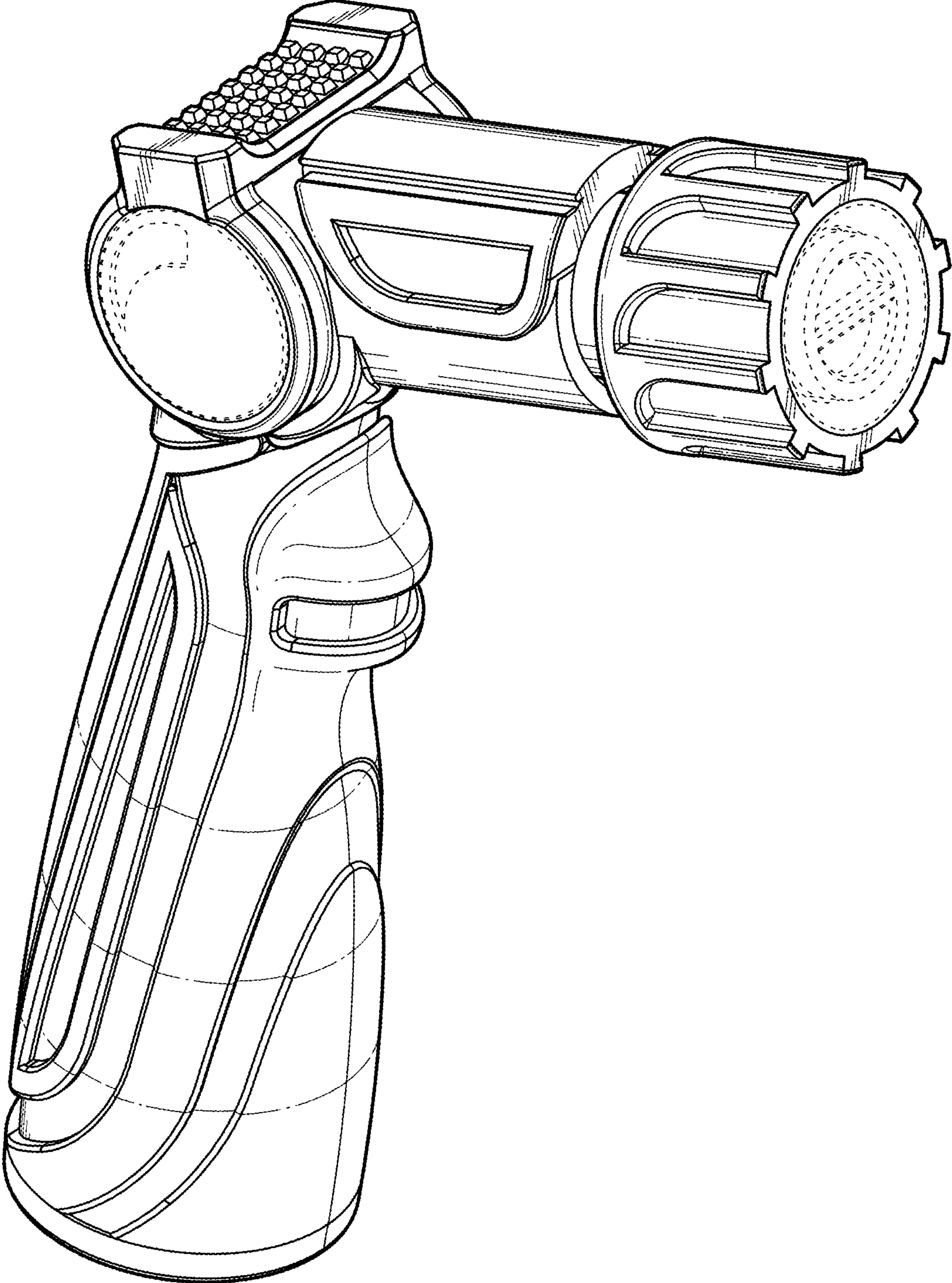


FIG. 1

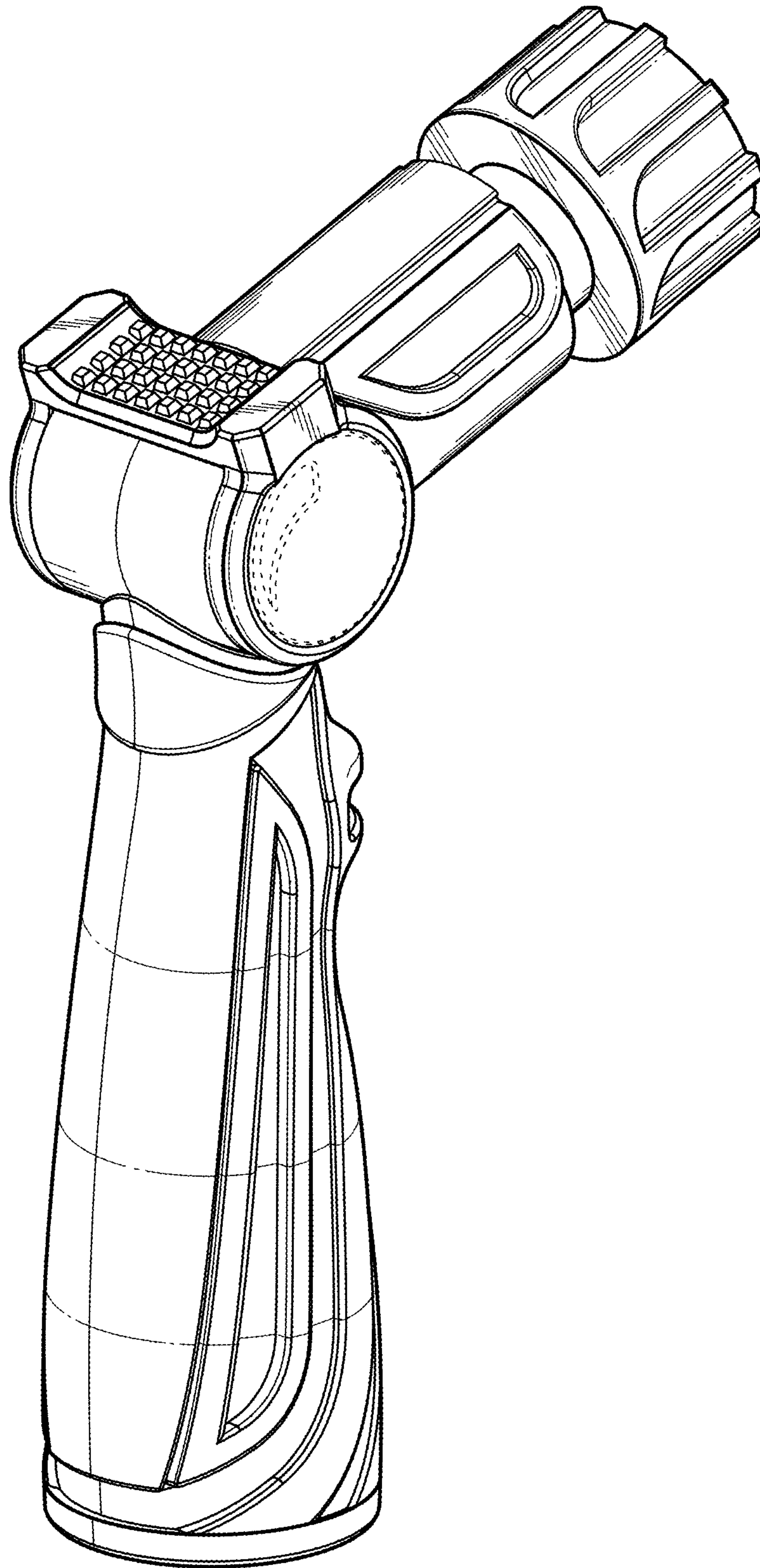


FIG. 2

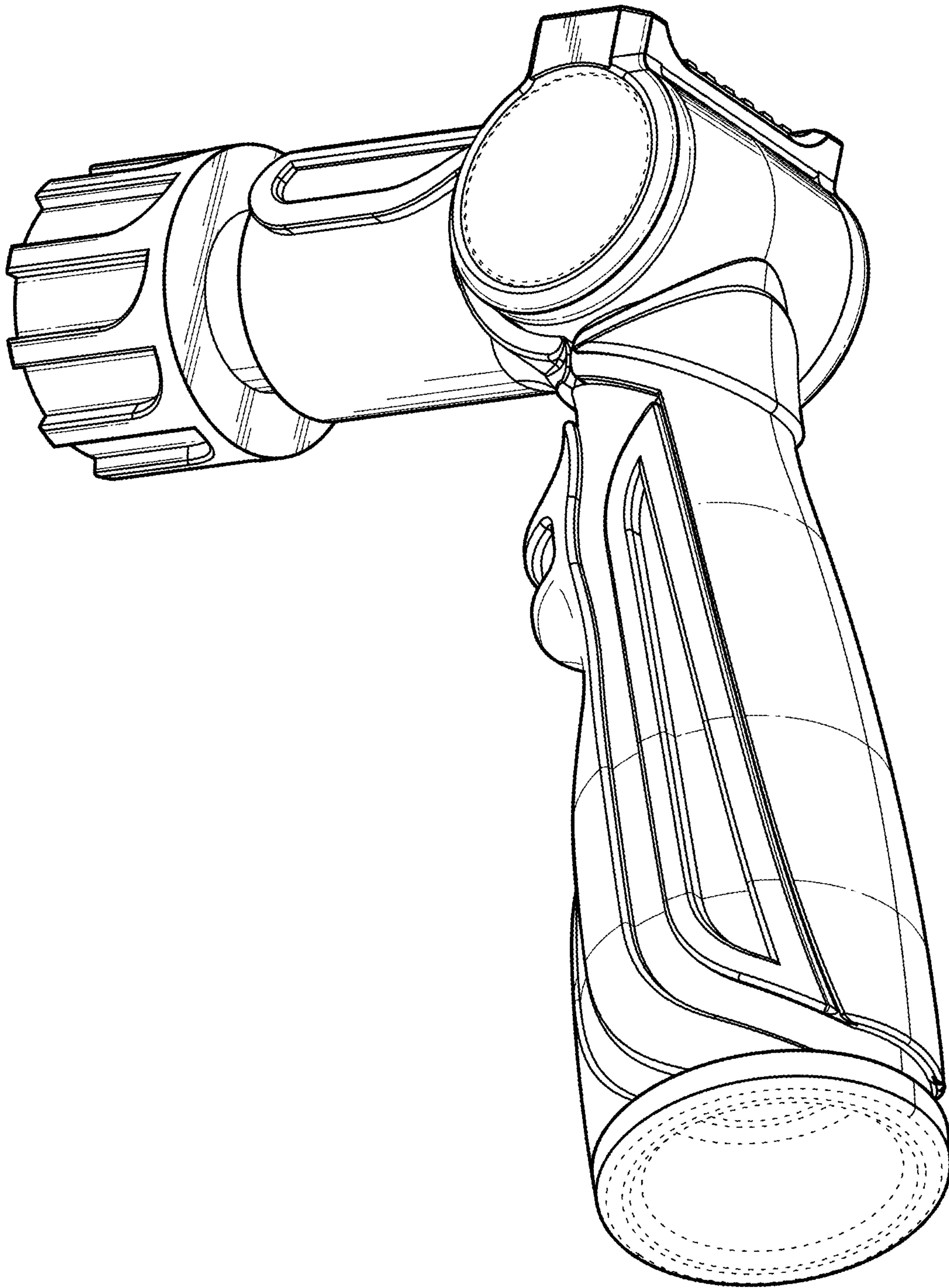


FIG. 3

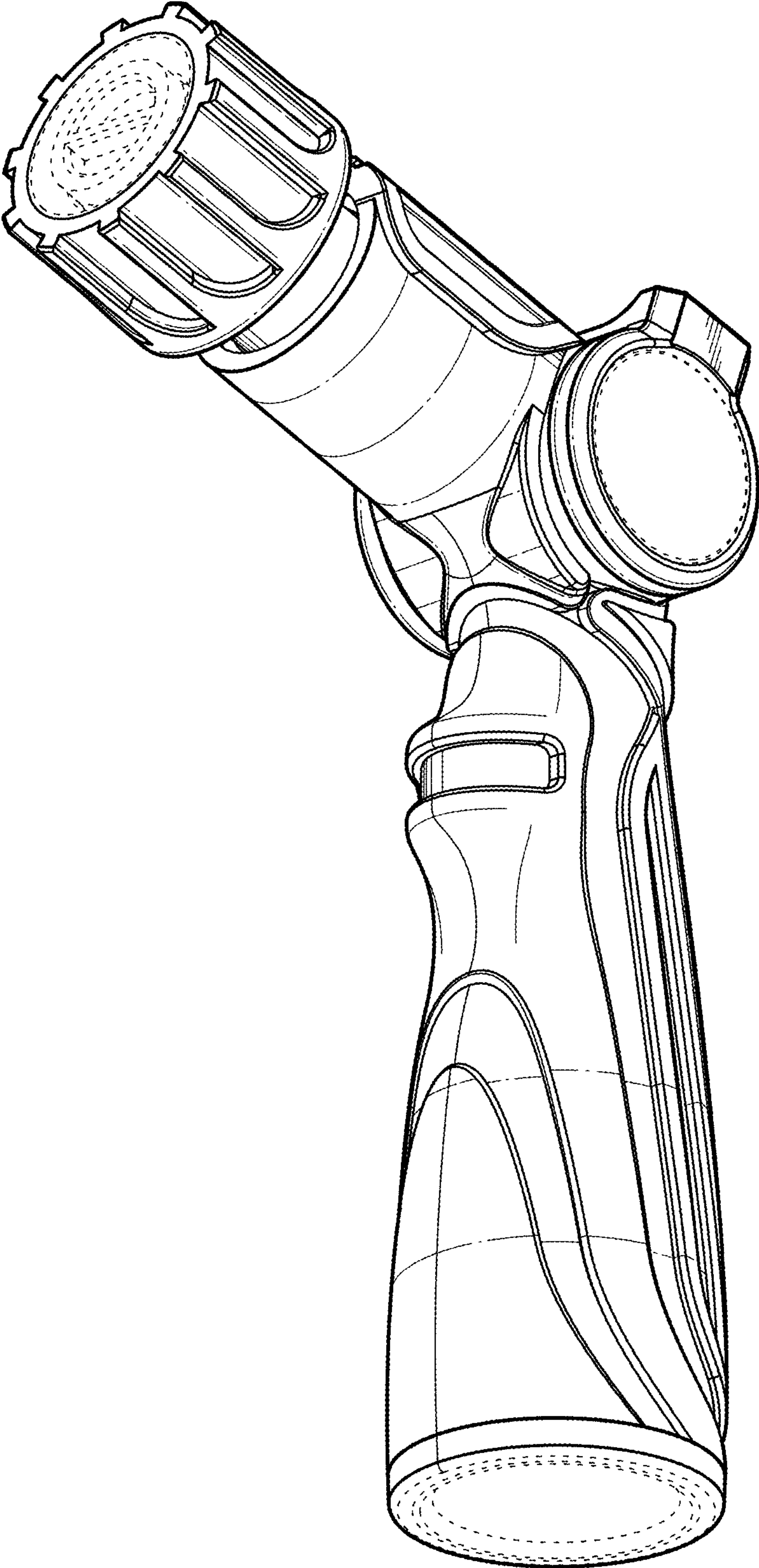


FIG. 4

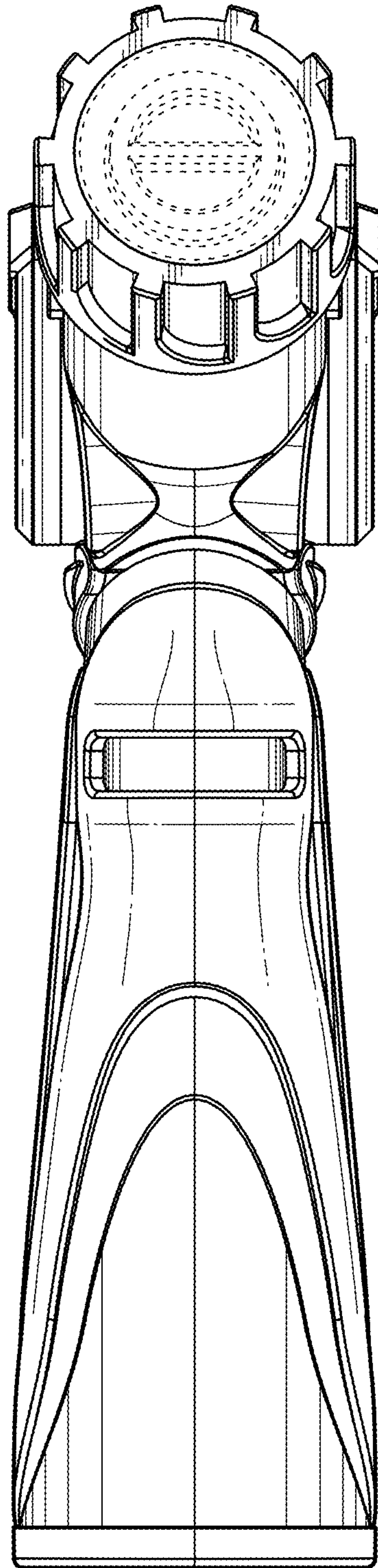


FIG. 5

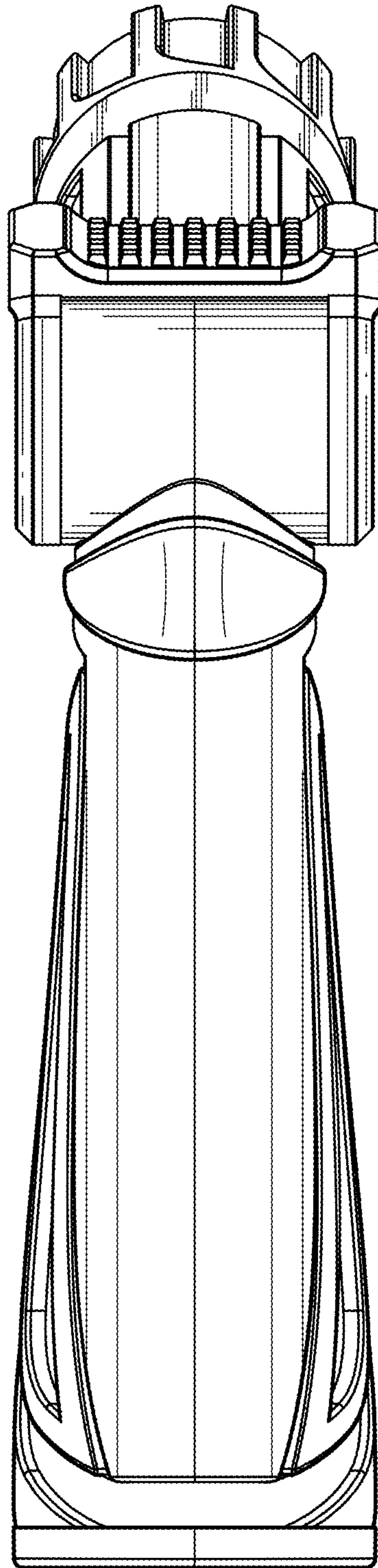


FIG. 6

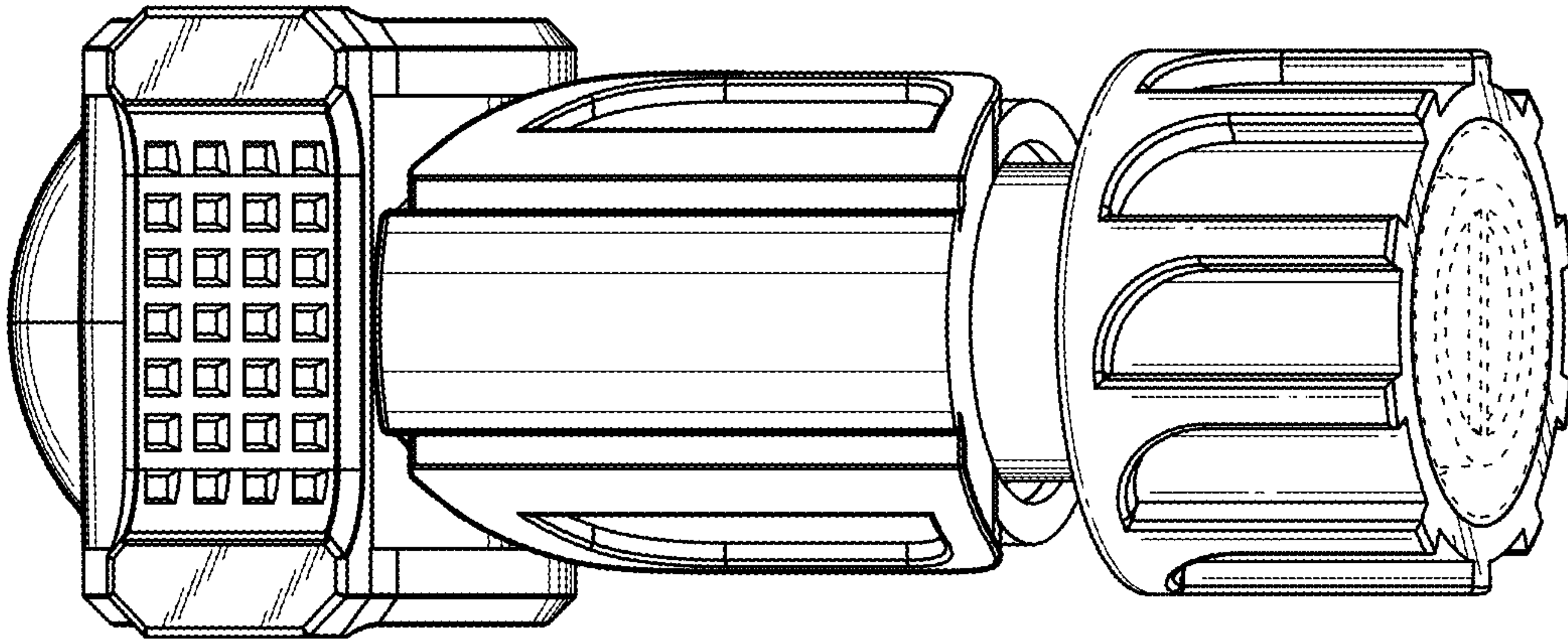


FIG. 7

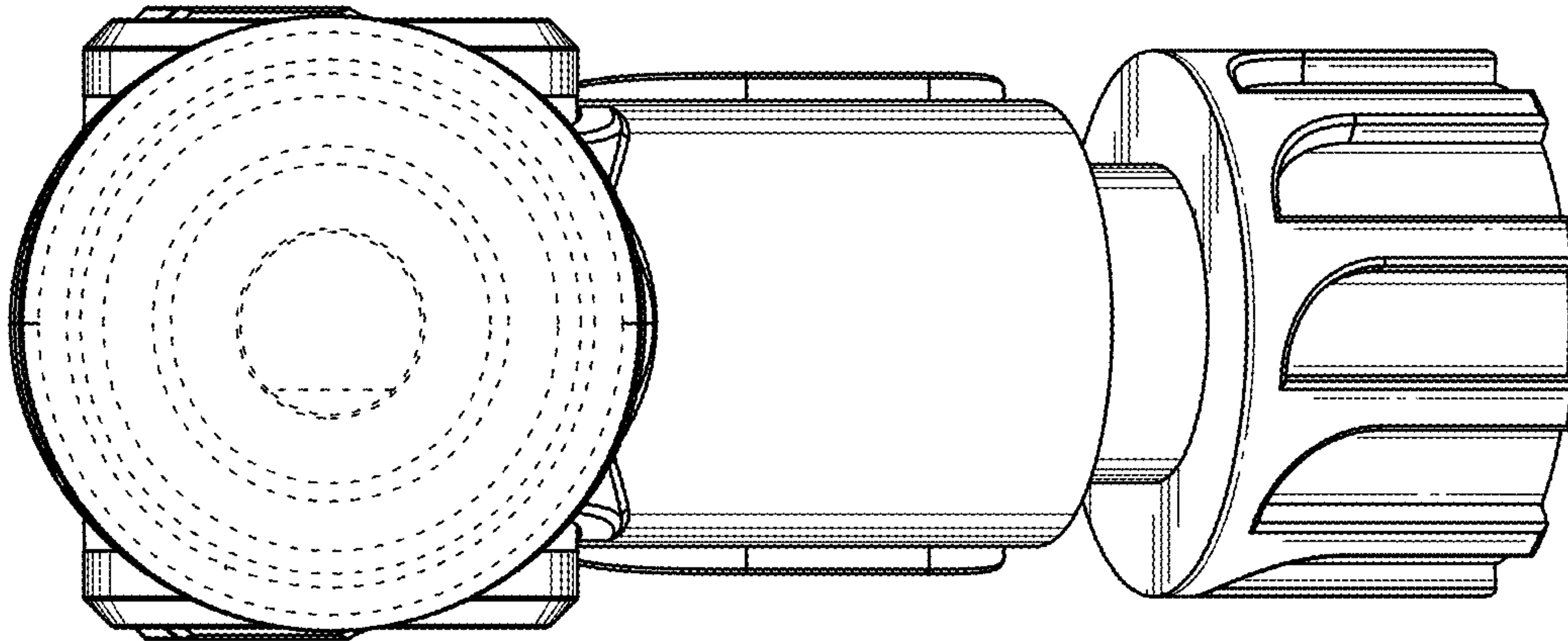


FIG. 8

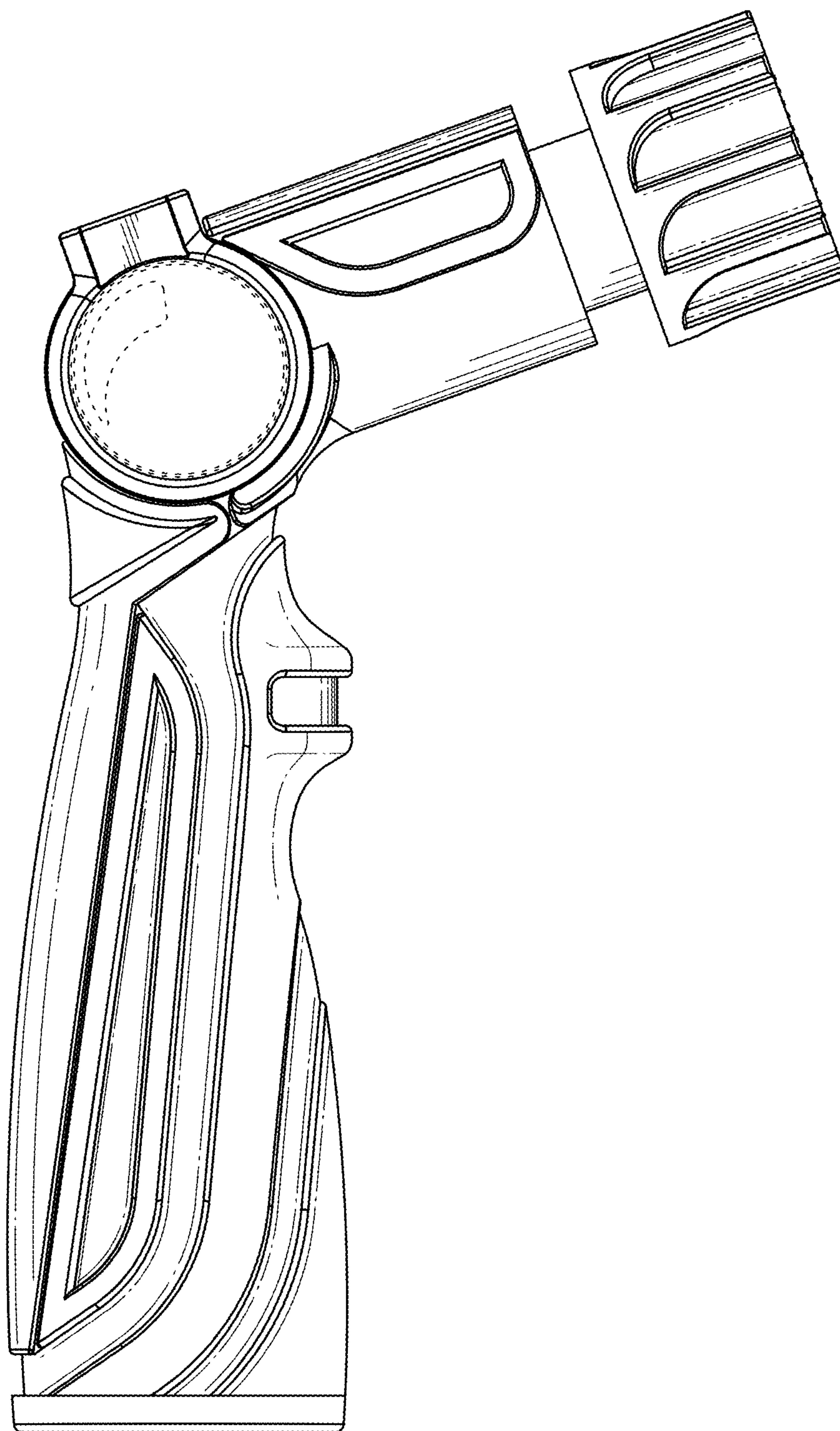


FIG. 9

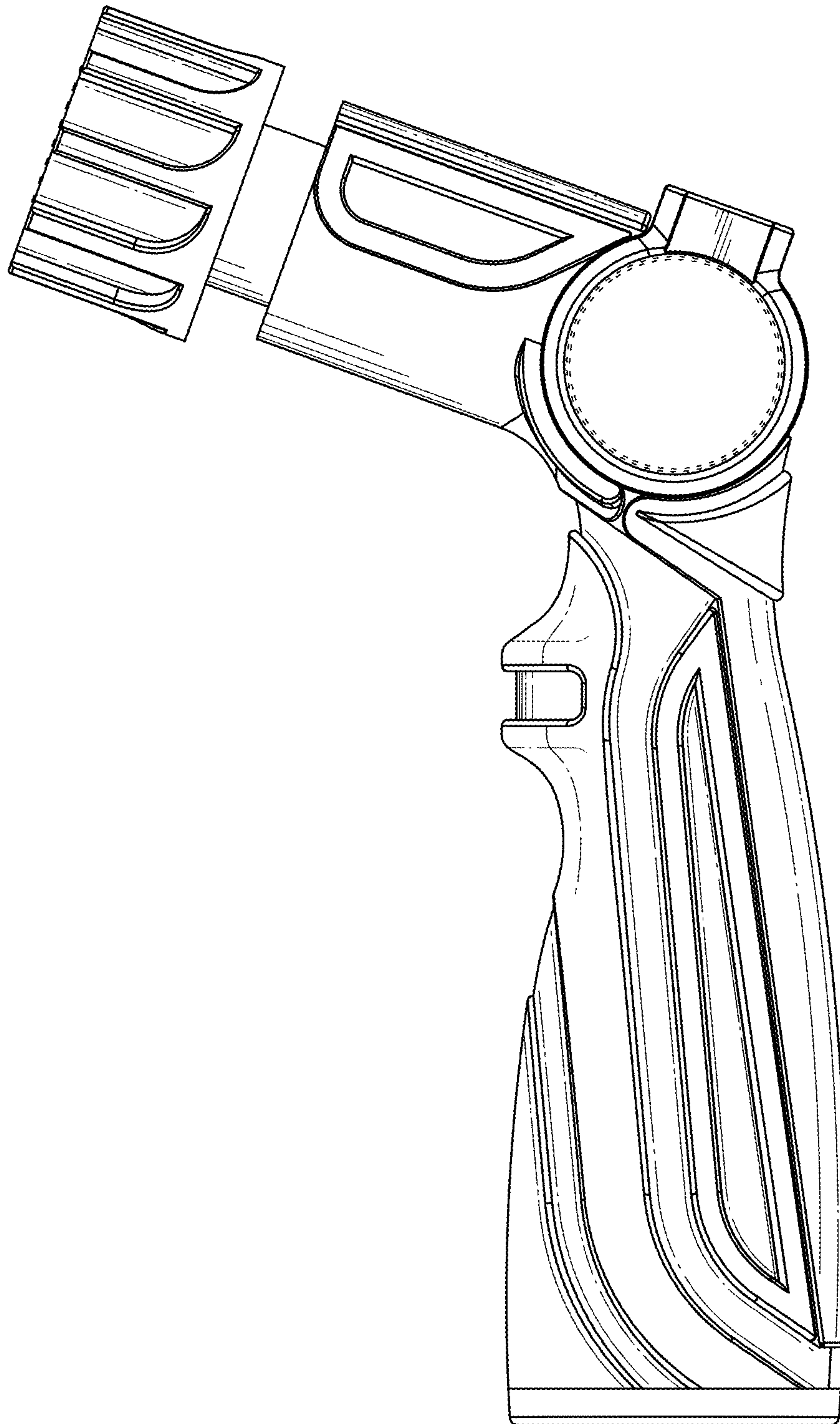


FIG. 10

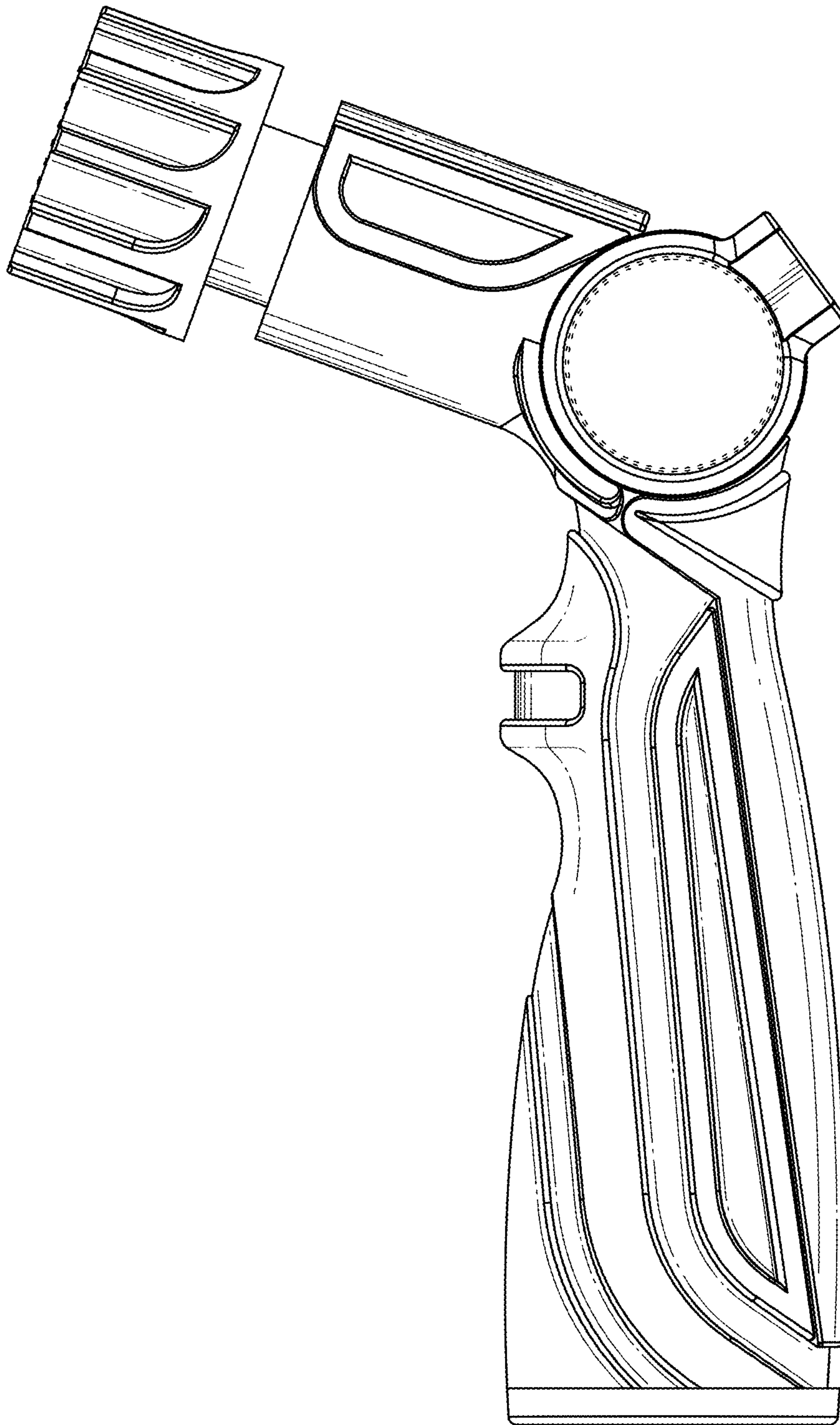


FIG. 11

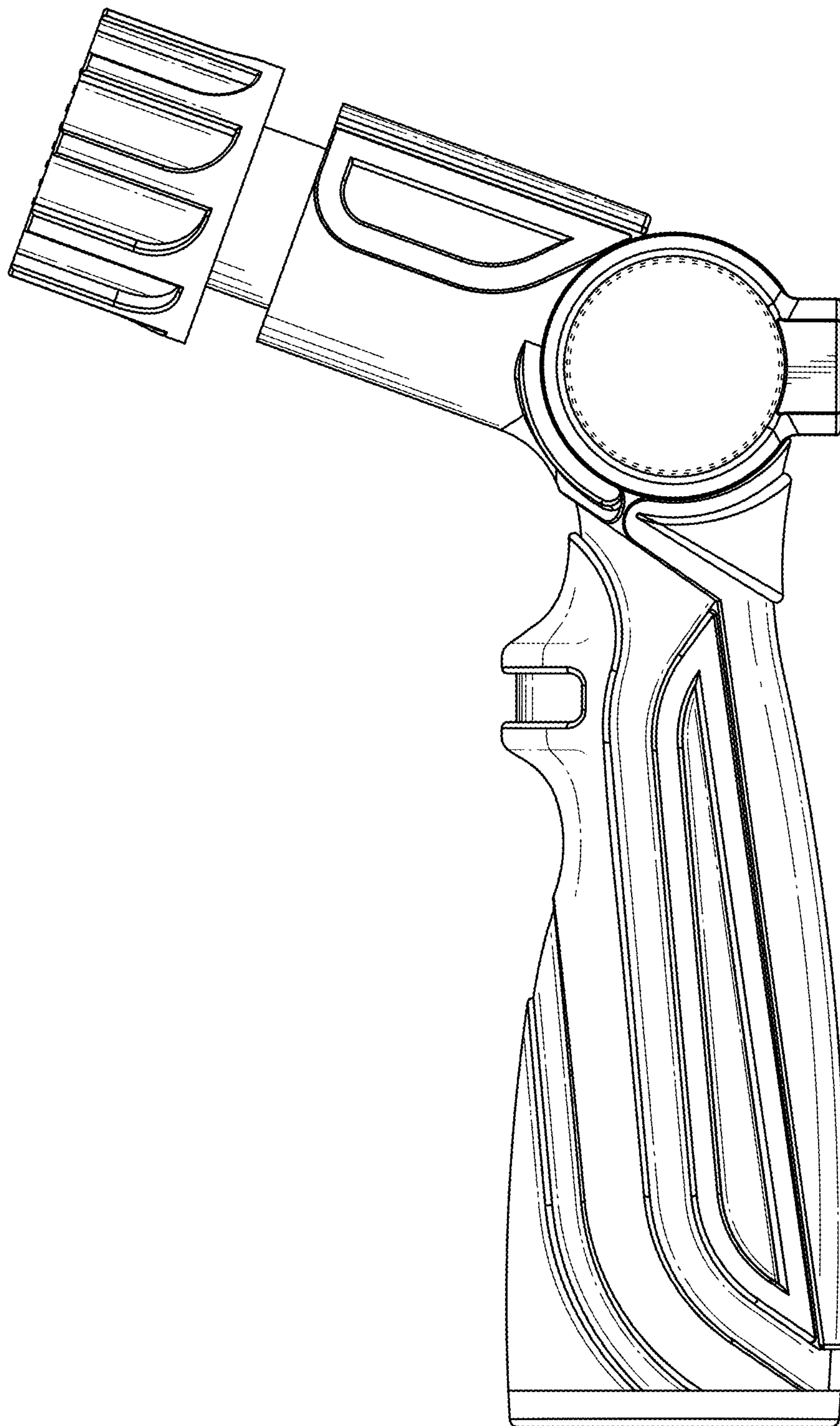


FIG. 12