



US00D892271S

(12) **United States Design Patent**
Urry

(10) **Patent No.:** **US D892,271 S**
(45) **Date of Patent:** **** Aug. 4, 2020**

- (54) **HOSE NOZZLE**
- (71) Applicant: **Orbit Irrigation Products, LLC**, North Salt Lake, UT (US)
- (72) Inventor: **Andrew Mark Urry**, Riverton, UT (US)
- (73) Assignee: **Orbit Irrigation Products, LLC**, North Salt Lake, UT (US)
- (**) Term: **15 Years**
- (21) Appl. No.: **29/690,607**
- (22) Filed: **May 9, 2019**
- (51) **LOC (12) Cl.** **23-01**
- (52) **U.S. Cl.**
USPC **D23/223; D23/213**
- (58) **Field of Classification Search**
USPC D23/213, 214, 215, 223, 224, 226, 229, D23/230
CPC A61H 9/0021; A61H 33/00; B05B 1/00; B05B 1/14; B05B 1/185; B05B 1/08; B05B 1/02; B05B 1/26; B05B 12/002; B05B 1/18; B05B 9/01
See application file for complete search history.

9,707,573 B1 * 7/2017 Huang B05B 1/3073
 9,770,731 B1 * 9/2017 Chen B05B 9/01
 D819,783 S * 6/2018 Urry D23/223
 (Continued)

OTHER PUBLICATIONS

<https://www.amazon.com/Orbit-Hose-High-Water-Nozzles/dp/B07CHQBTR3> (Year: 2019).*
 (Continued)

Primary Examiner — Manpreet S Matharu
Assistant Examiner — Keith J Wilson
 (74) *Attorney, Agent, or Firm* — Austin Rapp

(57) **CLAIM**

The ornamental design for a hose nozzle, as shown and described.

DESCRIPTION

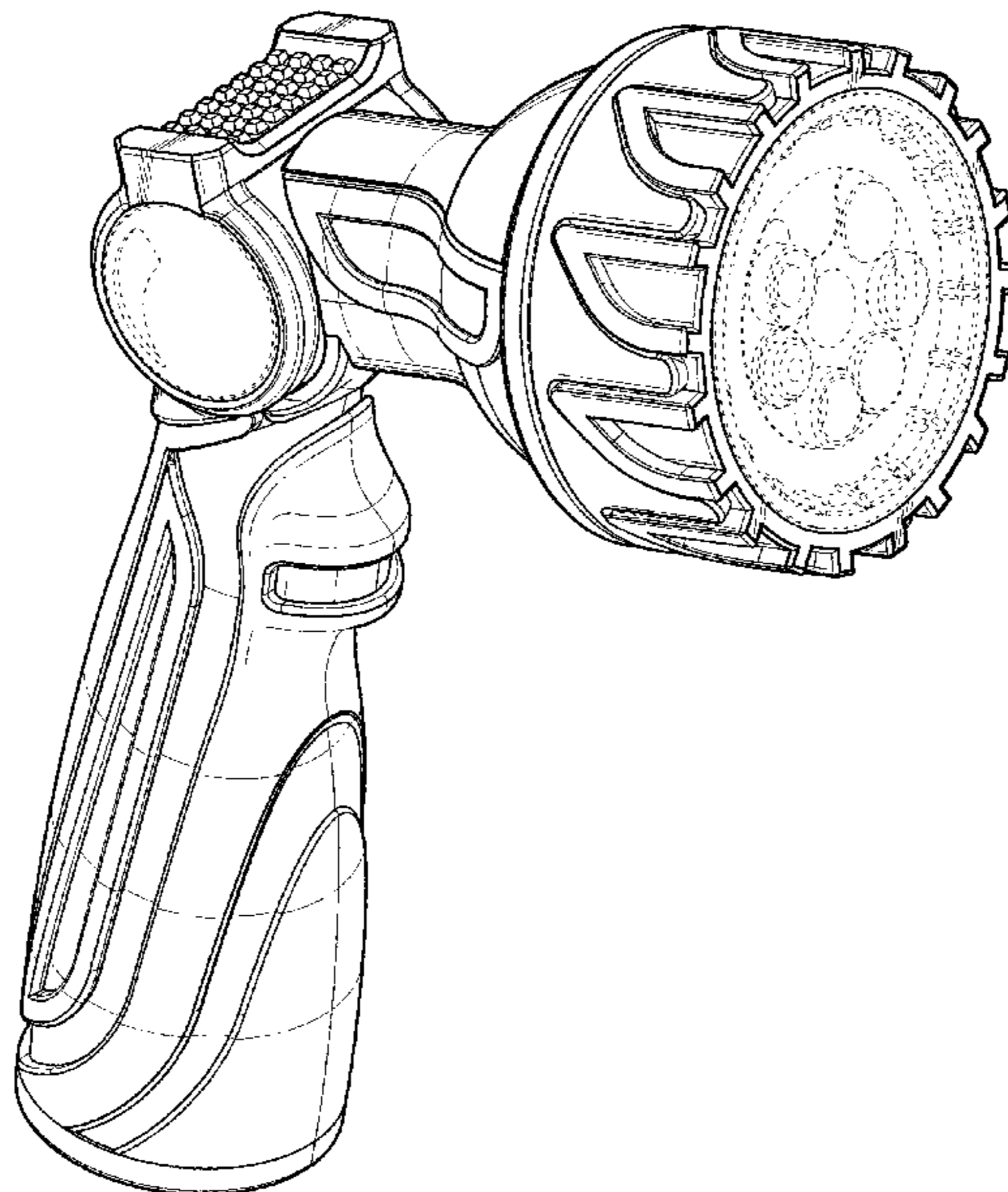
FIG. 1 is a first top perspective view of a hose nozzle, according to my new design;
 FIG. 2 is a second top perspective view of the hose nozzle;
 FIG. 3 is a first bottom perspective view of the hose nozzle;
 FIG. 4 is a second bottom perspective view of the hose nozzle;
 FIG. 5 is a front side elevational view of the hose nozzle;
 FIG. 6 is a rear side elevational view of the hose nozzle;
 FIG. 7 is a top side view of the hose nozzle;
 FIG. 8 is a bottom side view of the hose nozzle;
 FIG. 9 is a left side elevational view of the hose nozzle;
 FIG. 10 is a right side elevational view of the hose nozzle;
 FIG. 11 is a right side elevational view of the hose nozzle in a first alternative position; and,
 FIG. 12 is a right side elevational view of the hose nozzle in a second alternative position.
 The broken lines in the figures are included for the purpose of illustrating unclaimed portions of the hose nozzle and form no part of the claimed design.

(56) **References Cited**

U.S. PATENT DOCUMENTS

- 8,950,693 B2 * 2/2015 Hsieh B05B 1/3026
239/526
- D726,872 S * 4/2015 Thurgood D23/223
- D749,696 S * 2/2016 Thurgood D23/223
- D760,349 S 6/2016 Chen
- D767,091 S * 9/2016 Chen D23/223
- D767,094 S * 9/2016 Chen D23/223
- D768,817 S * 10/2016 Chen D23/223
- D779,036 S * 2/2017 Chen D23/223
- D783,123 S * 4/2017 Chen D23/226

1 Claim, 12 Drawing Sheets



(56)

References Cited

U.S. PATENT DOCUMENTS

D820,952 S	6/2018	Chen	
D820,953 S	6/2018	Chen	
D821,544 S *	6/2018	Urry D23/223
D822,160 S *	7/2018	Urry D23/223
D824,486 S *	7/2018	Urry D23/223
D824,492 S	7/2018	Chen	
10,213,800 B2	2/2019	Chen	
D855,758 S *	8/2019	Chen D23/223

OTHER PUBLICATIONS

U.S. Appl. No. 29/690,608, filed May 9, 2019, Urry.
 Orbit Irrigation Products, LLC, sold or offered for sale on or before Nov. 1, 2018 as part of multi-pack product Nos. 58958, 26032 or 96500 (shown in attachment 1).
 U.S. Appl. No. 29/705,797, filed Sep. 16, 2019, Urry.
 U.S. Appl. No. 29/701,444, filed Aug. 12, 2019, Urry.
 Orbit Irrigation Products, LLC, Product No. 27823 shown in attachment 2 was sold or offered for sale at least by Mar. 31, 2016.
 Orbit Irrigation Products, LLC, Product No. 58993 shown in attachment 3 was sold or offered for sale at least by Feb. 26, 2016.
 Melnor, Inc., Product No. T301 shown in attachment 4 was sold or offered for sale at least by Apr. 2013.
 Notice of Allowance and Fee(s) Due (including a Notice of Allowability for a Design Application section), U.S. Appl. No. 29/690,608, dated Apr. 8, 2020 (included in attachment 5).

* cited by examiner

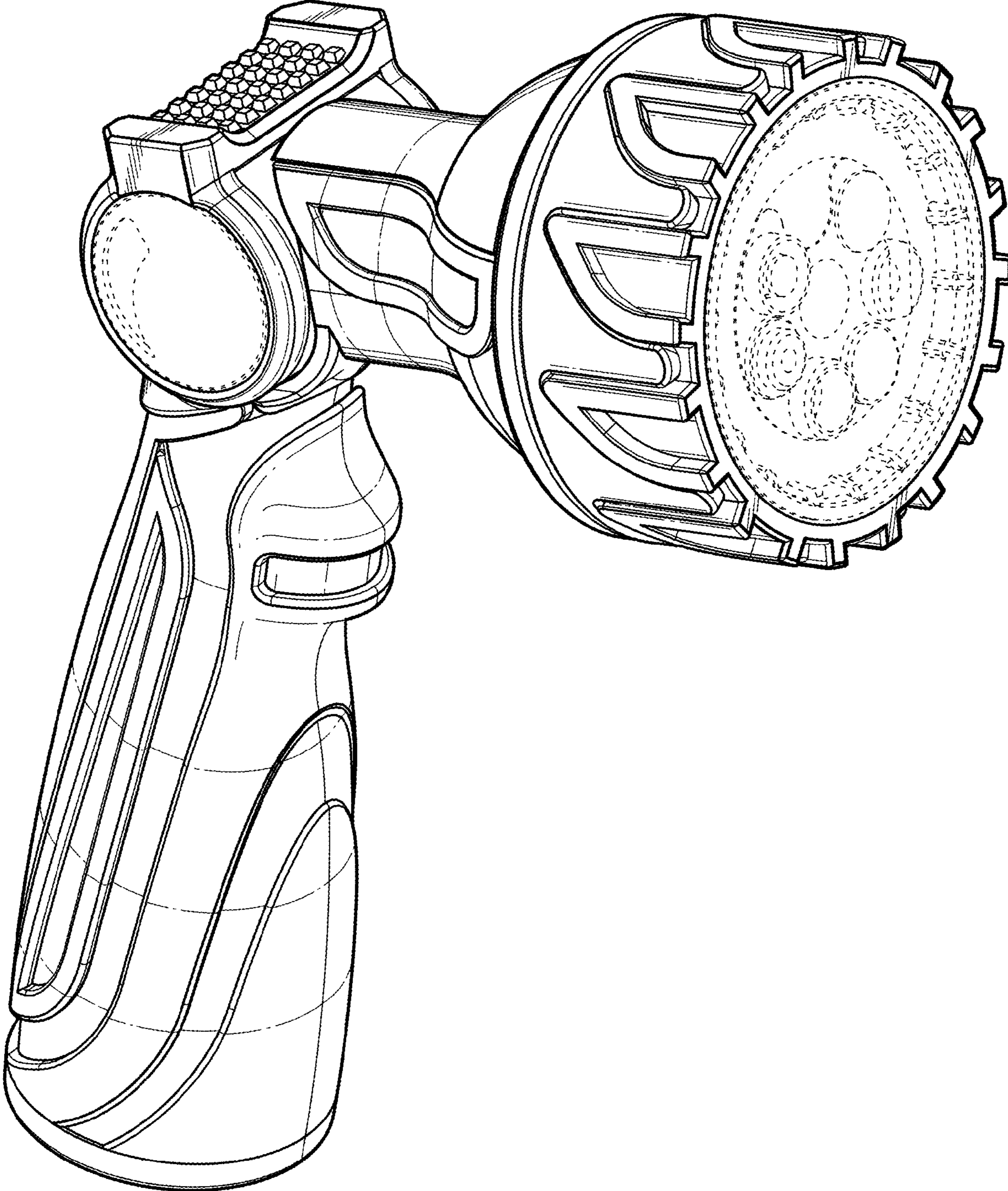


FIG. 1

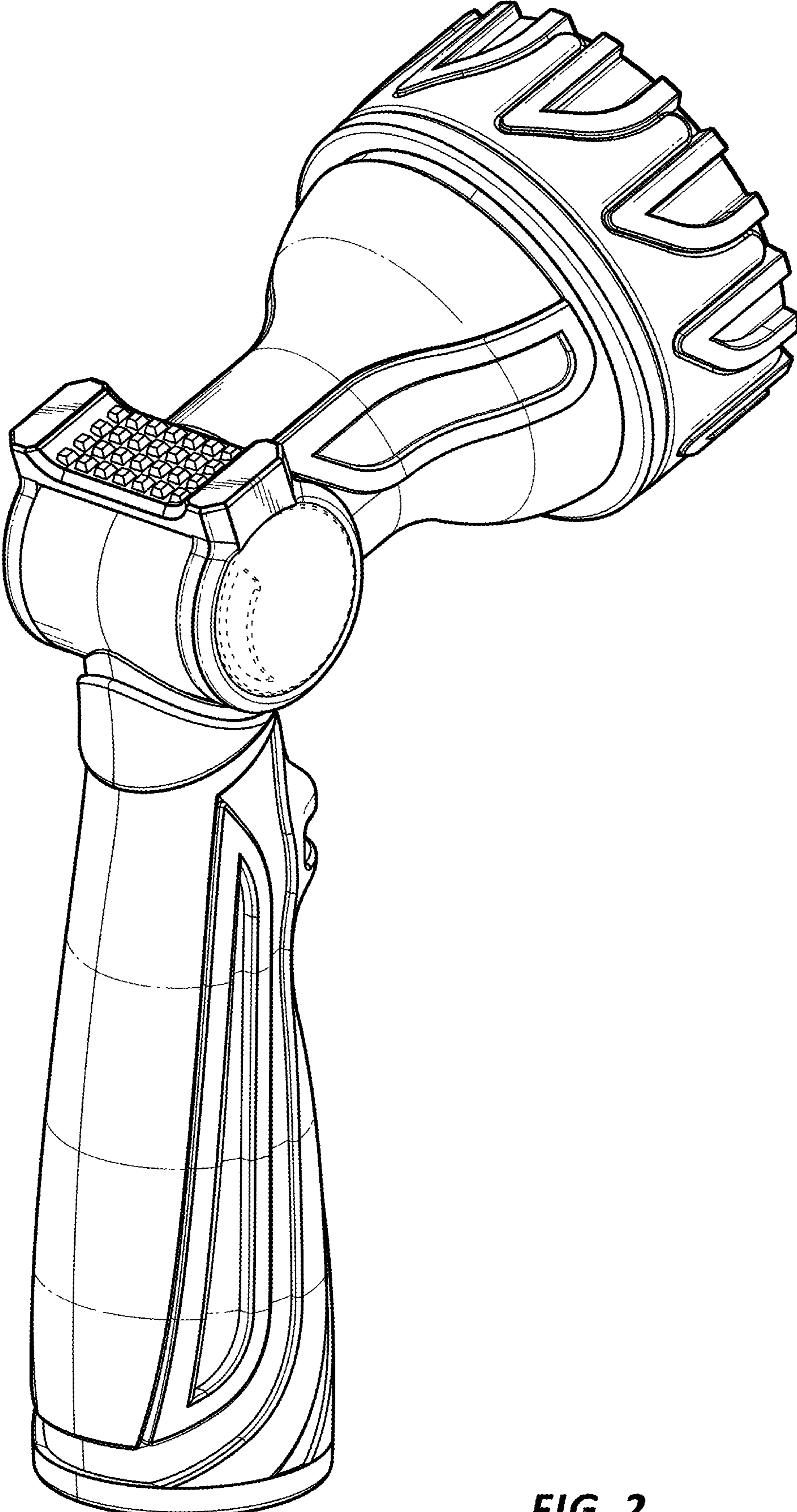


FIG. 2

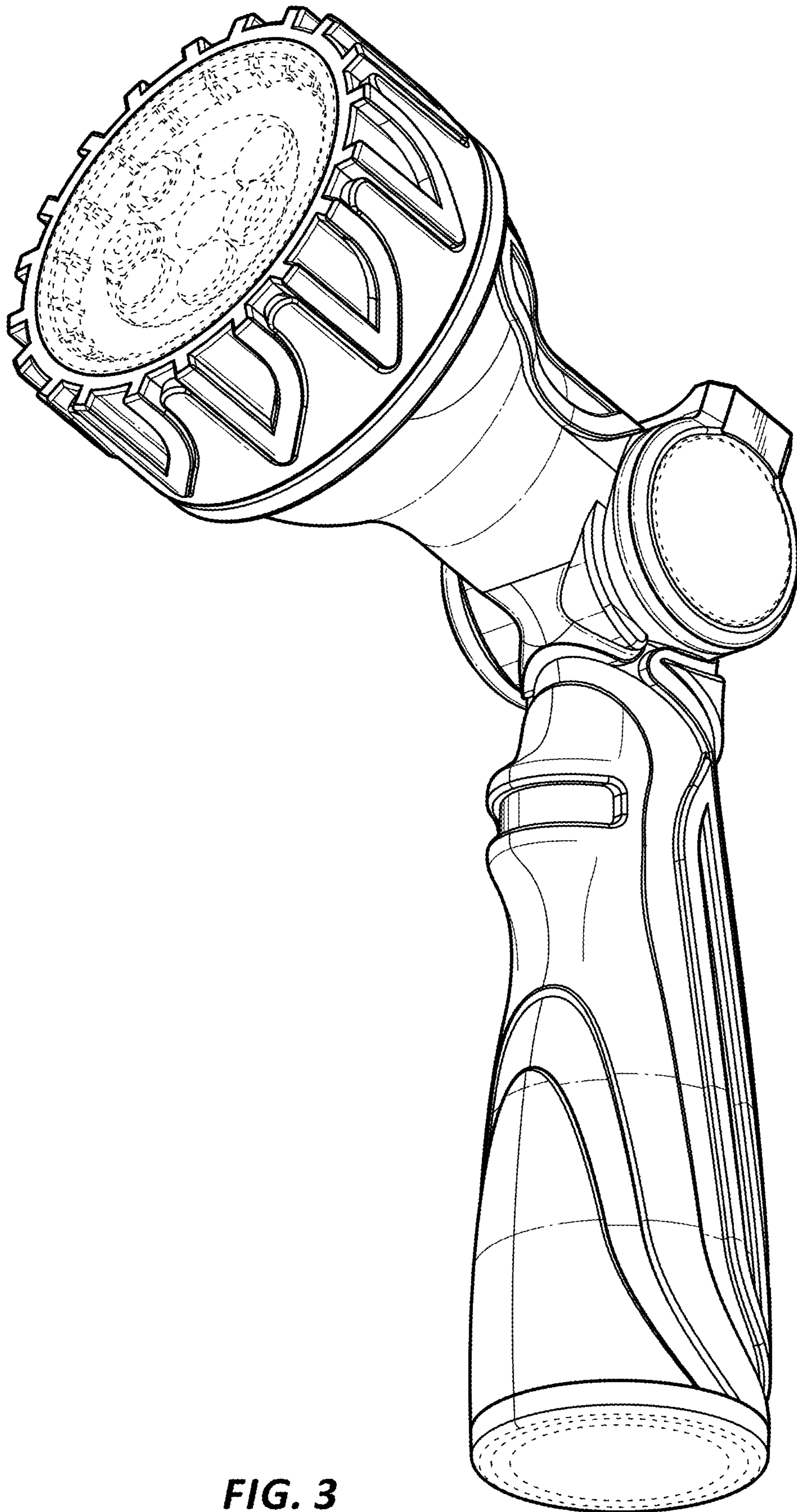


FIG. 3

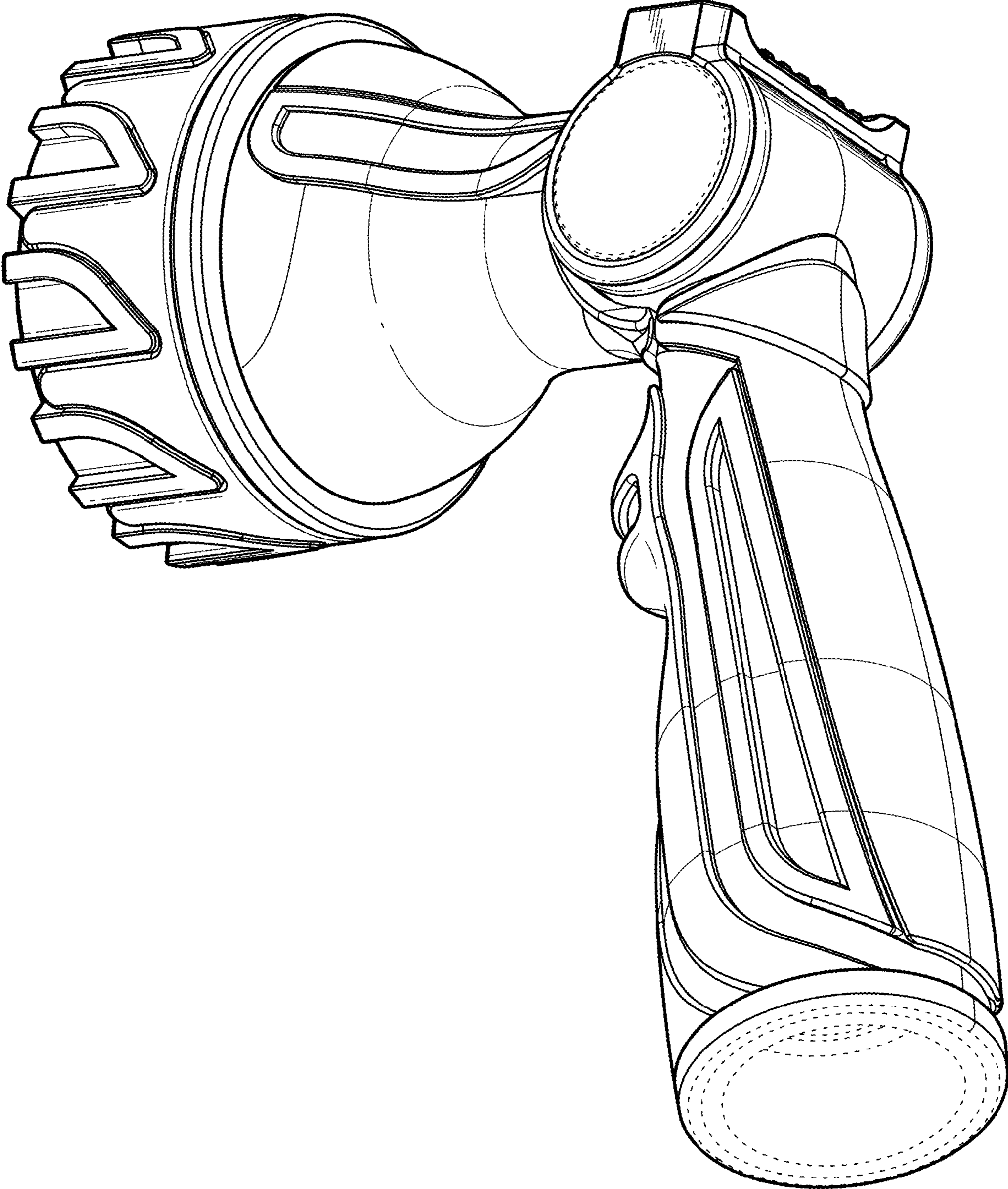


FIG. 4

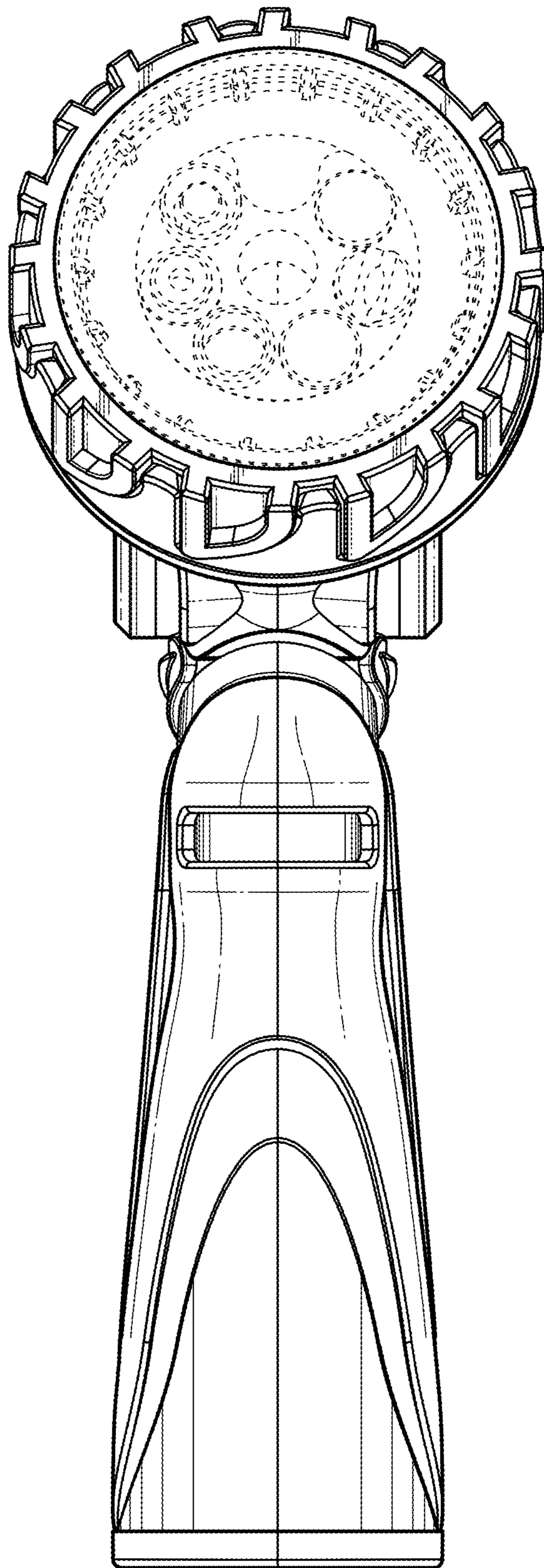


FIG. 5

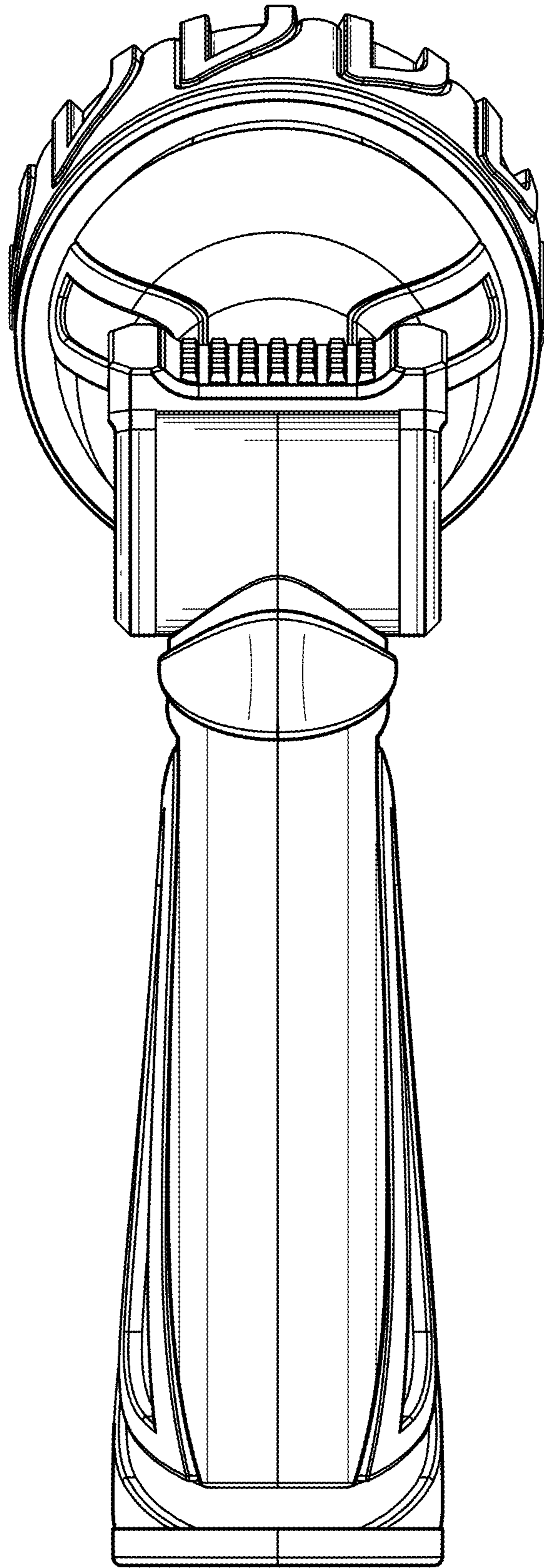


FIG. 6

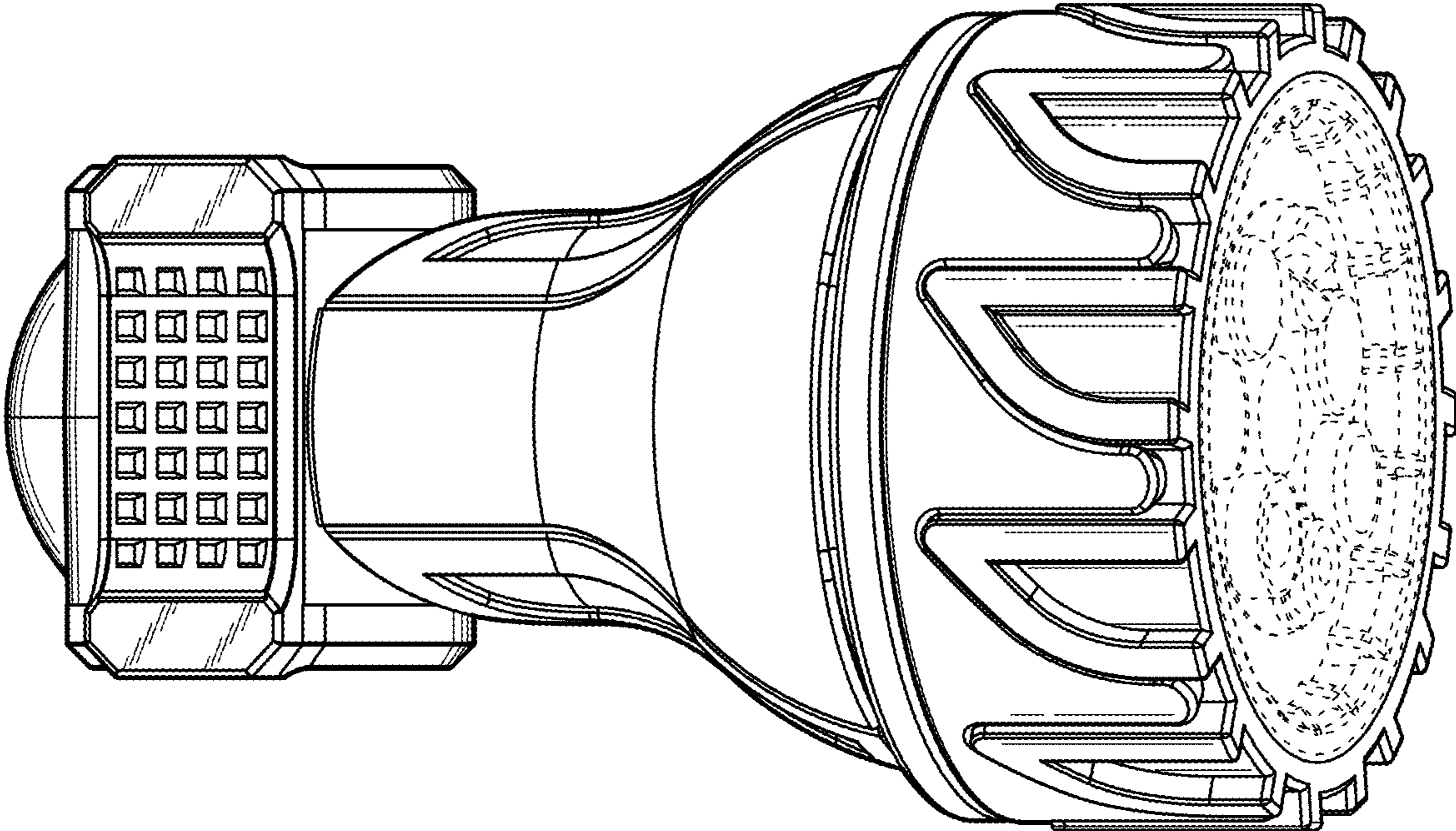


FIG. 7

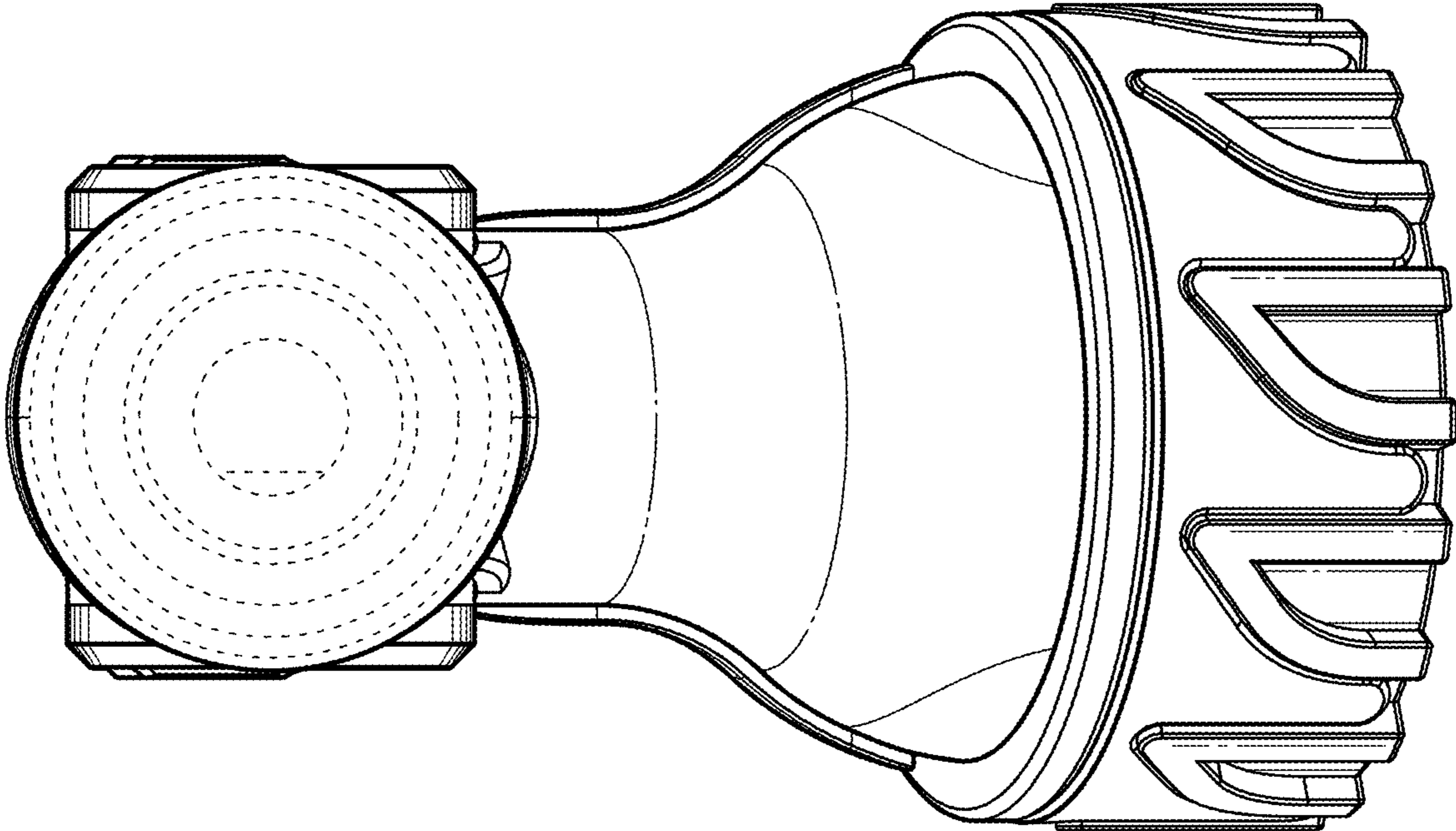


FIG. 8

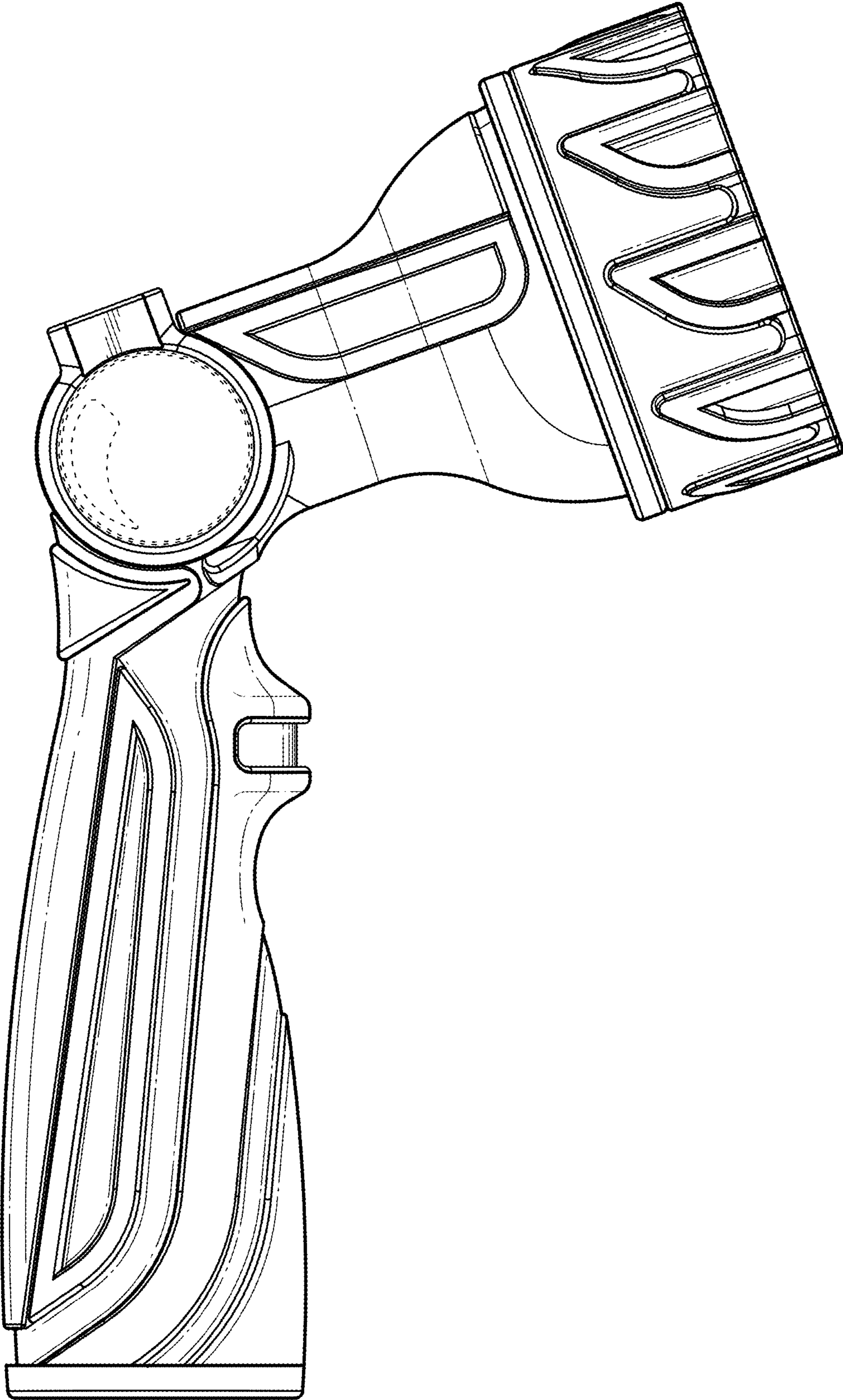


FIG. 9

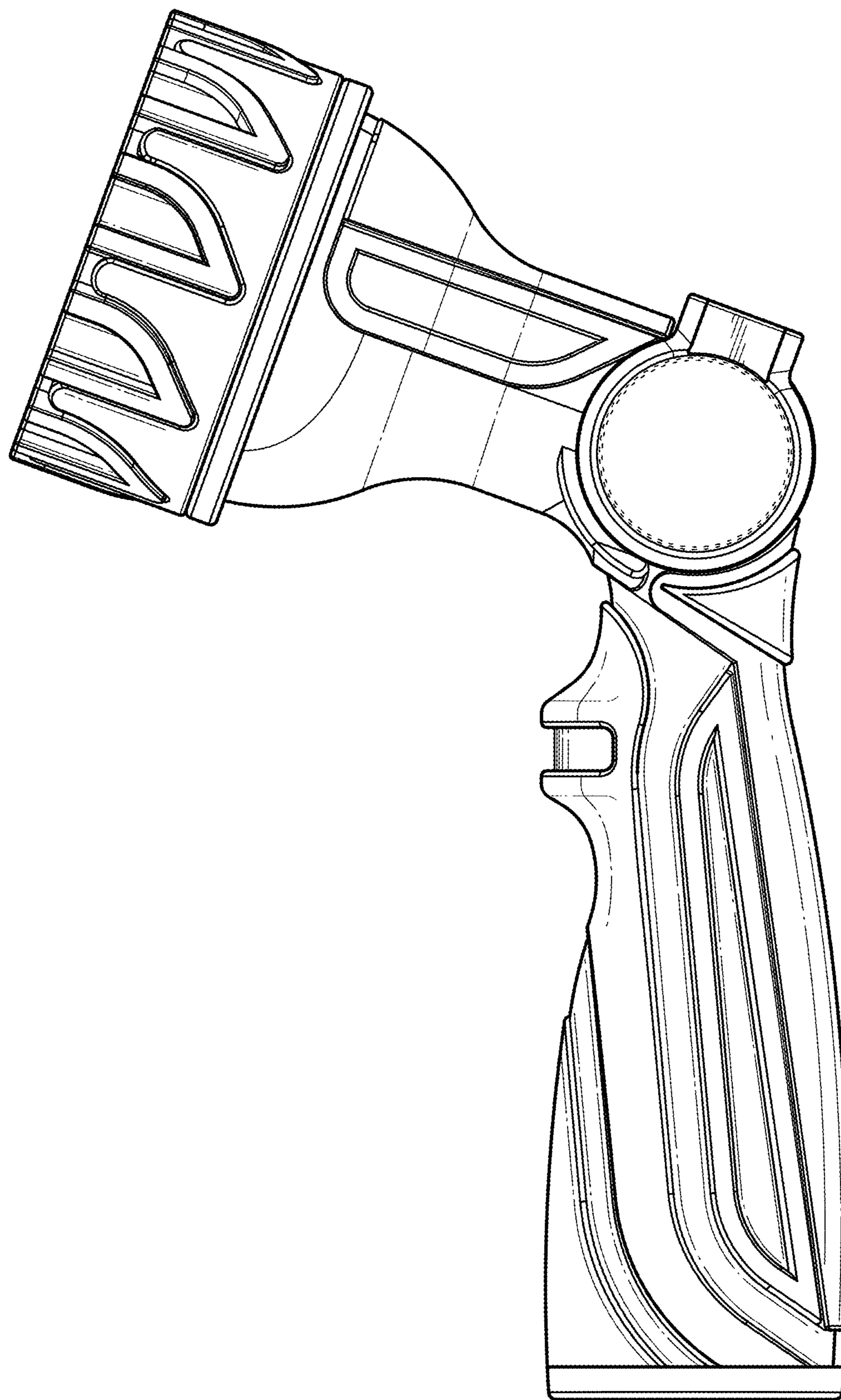


FIG. 10

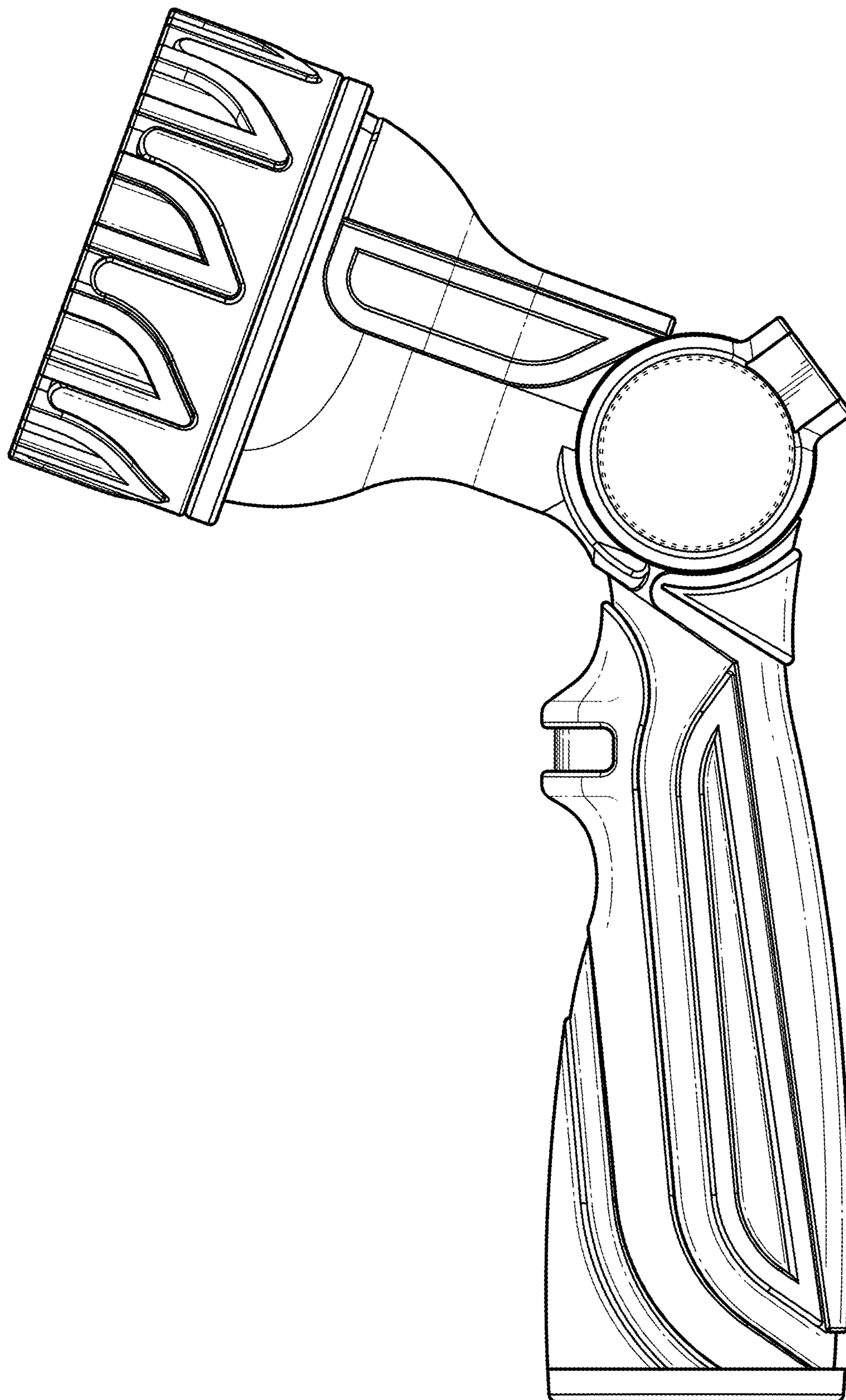


FIG. 11

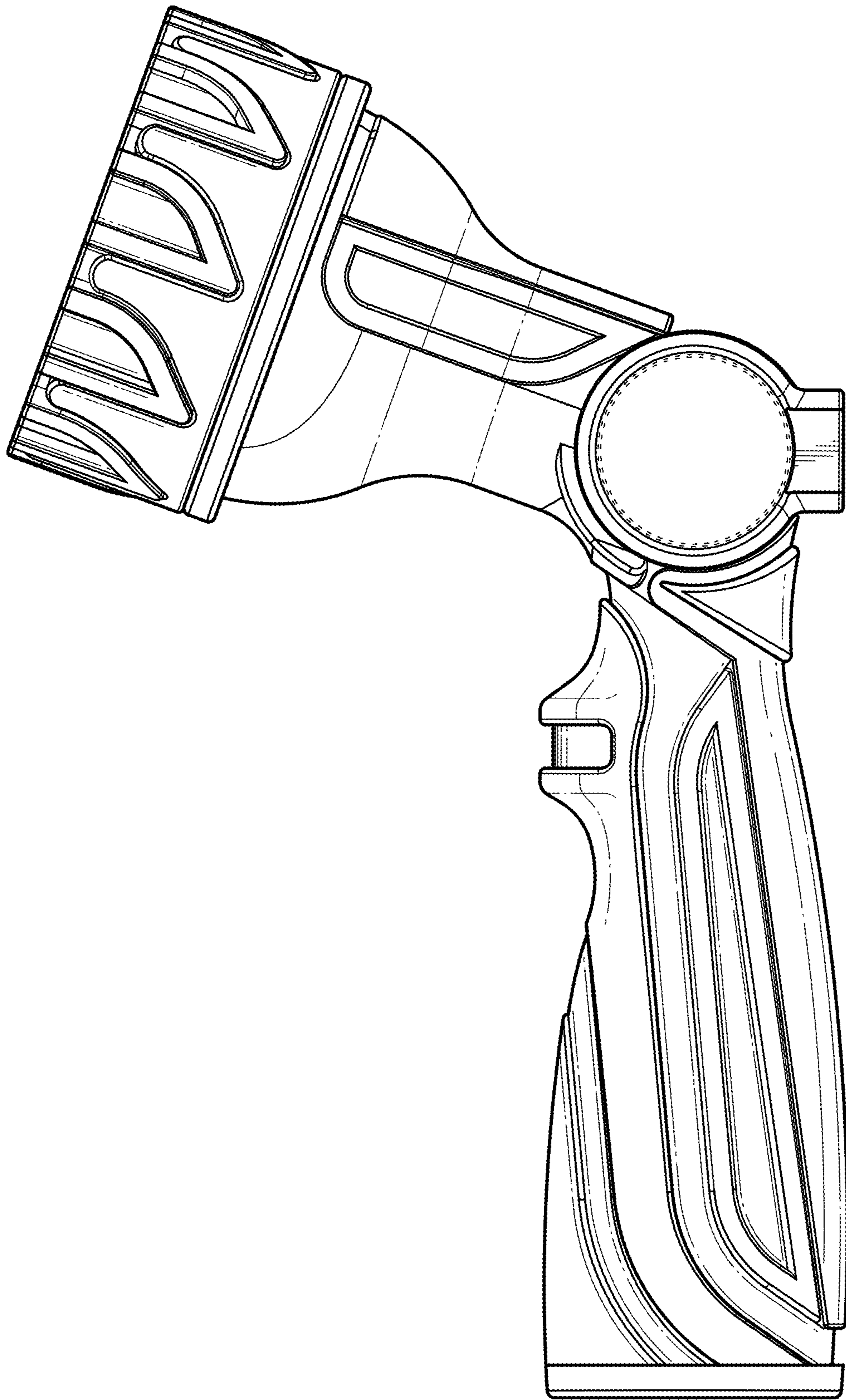


FIG. 12