



US00D892269S

(12) **United States Design Patent**  
**Koiwa**

(10) **Patent No.:** **US D892,269 S**

(45) **Date of Patent:** **\*\* Aug. 4, 2020**

(54) **PROTECTOR FOR SPRINKLER HEAD**

(71) Applicant: **SENJU SPRINKLER CO., LTD.**,  
Adachi-ku, Tokyo (JP)

(72) Inventor: **Yasuaki Koiwa**, Tokyo (JP)

(73) Assignee: **SENJU SPRINKLER CO., LTD.**,  
Adachi-ku, Tokyo (JP)

(\*\*) Term: **15 Years**

(21) Appl. No.: **29/656,221**

(22) Filed: **Jul. 11, 2018**

(30) **Foreign Application Priority Data**

Jan. 12, 2018 (JP) ..... 2018-000344

(51) **LOC (12) Cl.** ..... **23-01**

(52) **U.S. Cl.**  
USPC ..... **D23/214**

(58) **Field of Classification Search**  
USPC ..... D23/213, 214, 218, 227, 254; D8/350,  
D8/352, 399; D21/443, 444; D30/119,  
D30/121, 123, 124, 131, 132, 160;  
D24/130; D15/144, 144.1, 144.2  
CPC ..... B05B 15/70; B05B 15/74; B05B 15/00;  
A01G 3/06; A63F 13/10; A62C 37/08;  
A62C 31/02

See application file for complete search history.

(56) **References Cited**

**U.S. PATENT DOCUMENTS**

D334,794 S \* 4/1993 Klose ..... D23/213  
D375,453 S \* 11/1996 Fleck ..... D8/395  
D428,326 S \* 7/2000 Nakamura ..... D8/356  
6,131,822 A \* 10/2000 Farmer, Jr. .... B05B 15/16  
239/288  
6,669,111 B2 12/2003 Vinson et al.  
7,273,189 B2 9/2007 Ide et al.  
D571,257 S \* 6/2008 Biddings ..... D12/42

7,757,967 B1 7/2010 Yang  
7,900,852 B2 3/2011 Feenstra  
D736,060 S \* 8/2015 Shimizu ..... D8/349  
D812,658 S \* 3/2018 Williams ..... D15/138  
D868,574 S \* 12/2019 Pittman ..... D8/396

(Continued)

**FOREIGN PATENT DOCUMENTS**

TW 160588 5/2014  
TW 201741000 A 12/2017

**OTHER PUBLICATIONS**

Office Action (Notice of Allowance) dated Oct. 29, 2018, by the Taiwanese Patent Office in corresponding Taiwanese Patent Application No. 107302832, (3 pages).

*Primary Examiner* — Lakiya G Rogers

*Assistant Examiner* — John A Voytek

(74) *Attorney, Agent, or Firm* — Buchanan, Ingersoll & Rooney PC

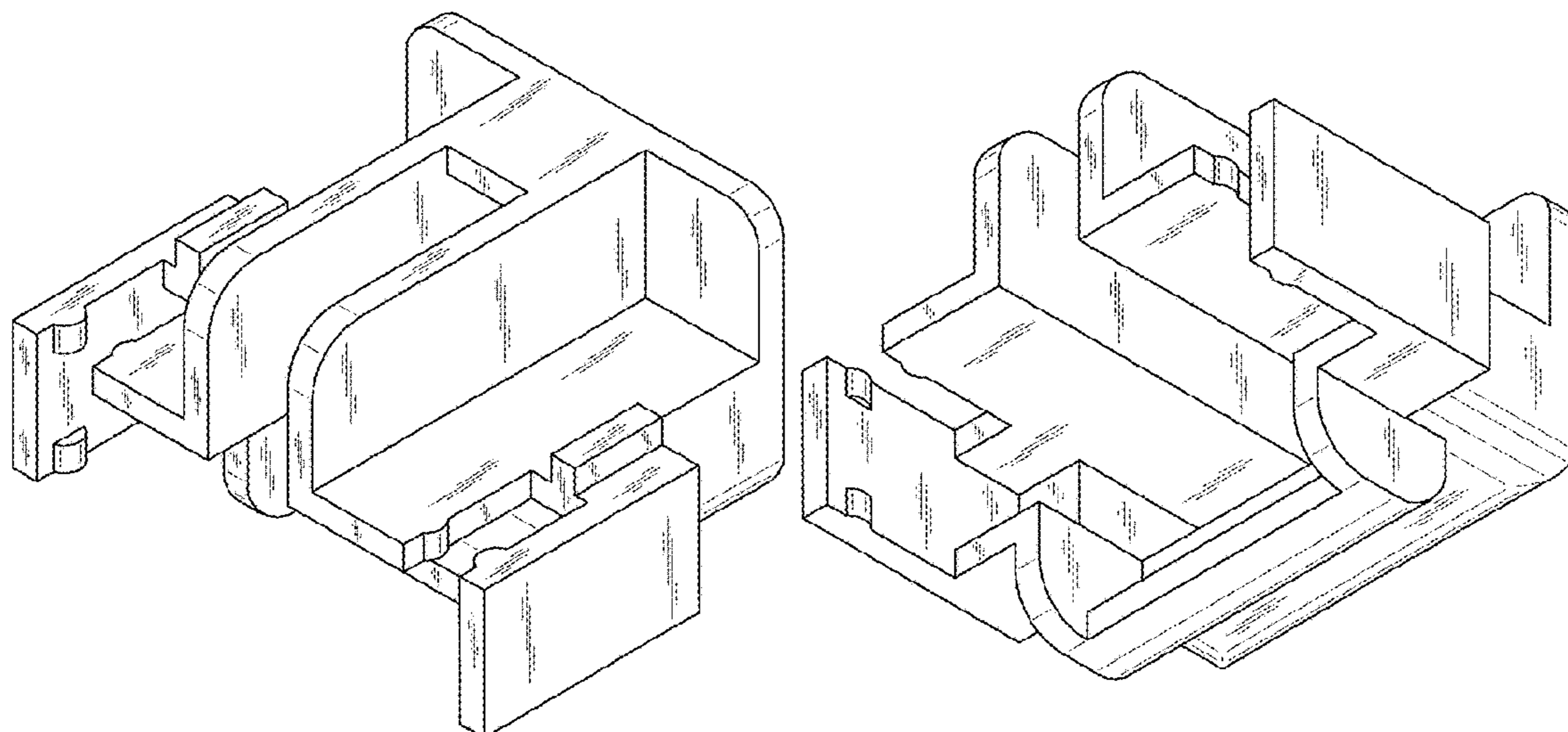
(57) **CLAIM**

The ornamental design for a protector for a sprinkler head, as shown and described.

**DESCRIPTION**

FIG. 1 is a front elevational view of a protector for a sprinkler head showing my new design;  
FIG. 2 is a rear elevational view thereof;  
FIG. 3 is a right side elevational view thereof; a left side elevational view thereof being a same image;  
FIG. 4 is a top plan view thereof;  
FIG. 5 is a bottom plan view thereof;  
FIG. 6 is a cross-sectional view thereof taken along line 6-6 in FIG. 1;  
FIG. 7 is a perspective view thereof of the front, top and right side; and,  
FIG. 8 is a perspective view thereof, of the front, bottom and right side.

**1 Claim, 8 Drawing Sheets**



(56)

**References Cited**

U.S. PATENT DOCUMENTS

2004/0164179 A1\* 8/2004 Corbett ..... B05B 15/622  
239/276  
2005/0103888 A1\* 5/2005 Corbett ..... B05B 15/62  
239/276  
2019/0143163 A1\* 5/2019 Schnell ..... A62C 35/68  
169/37

\* cited by examiner

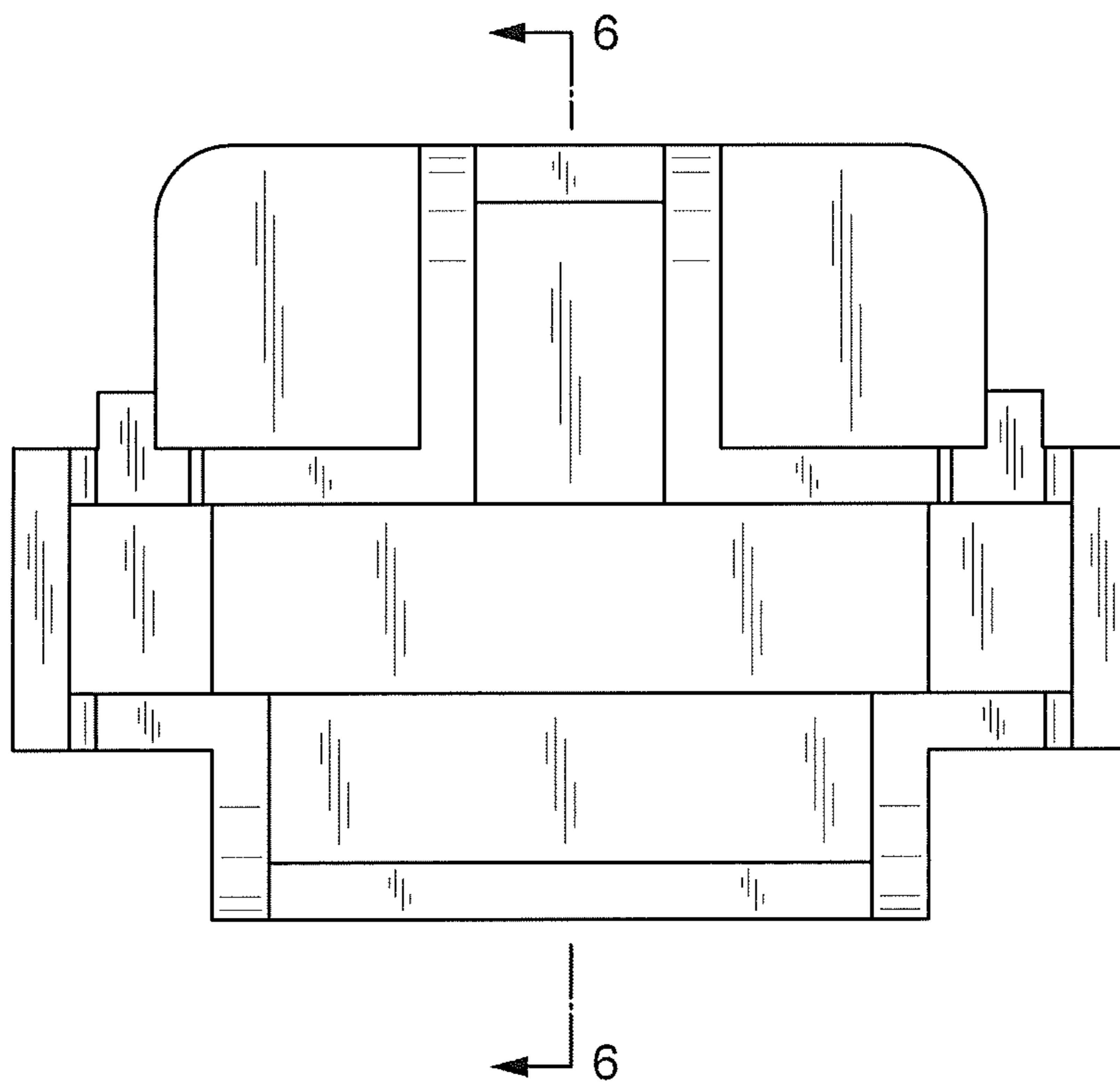


FIG. 1

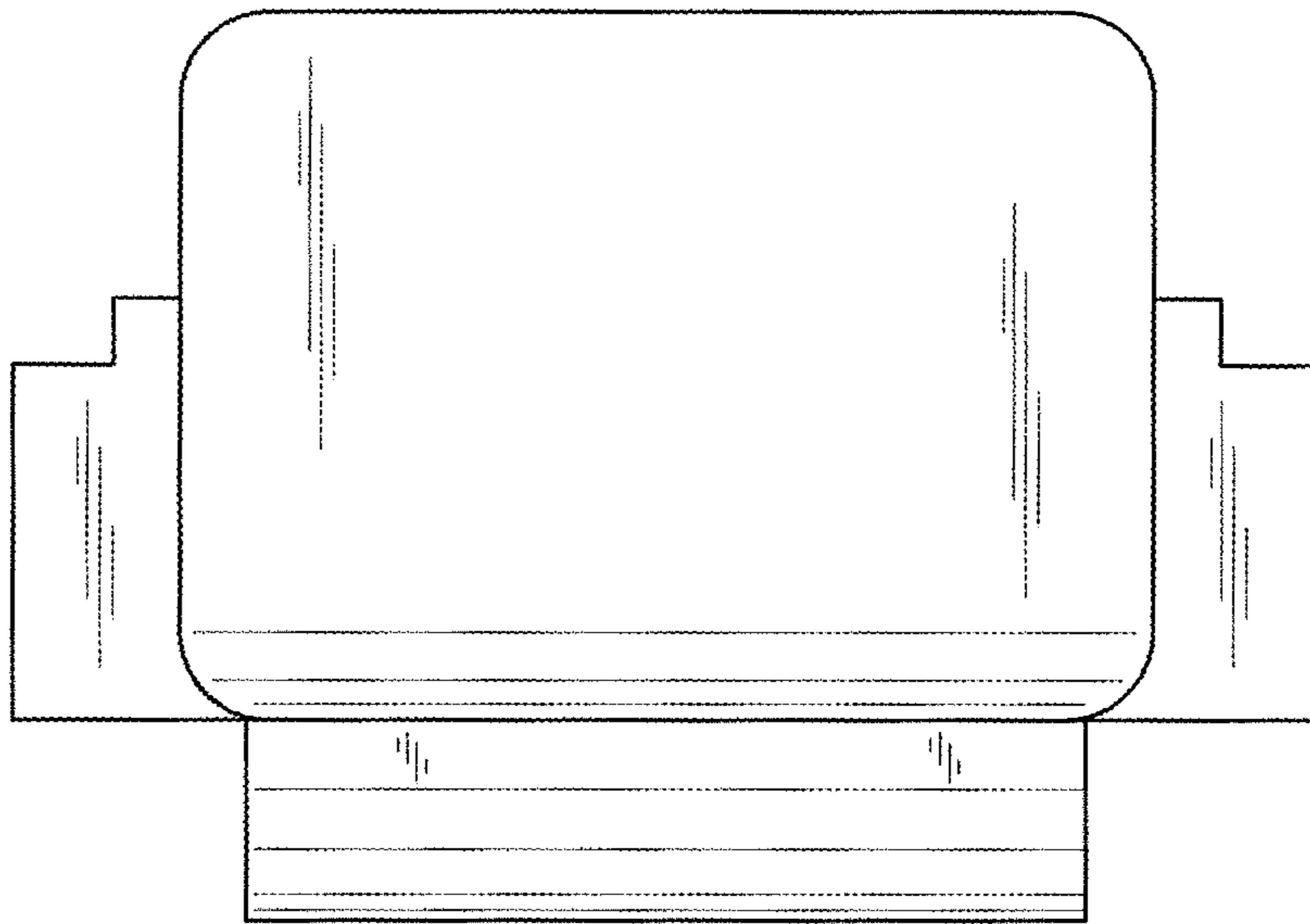


FIG. 2

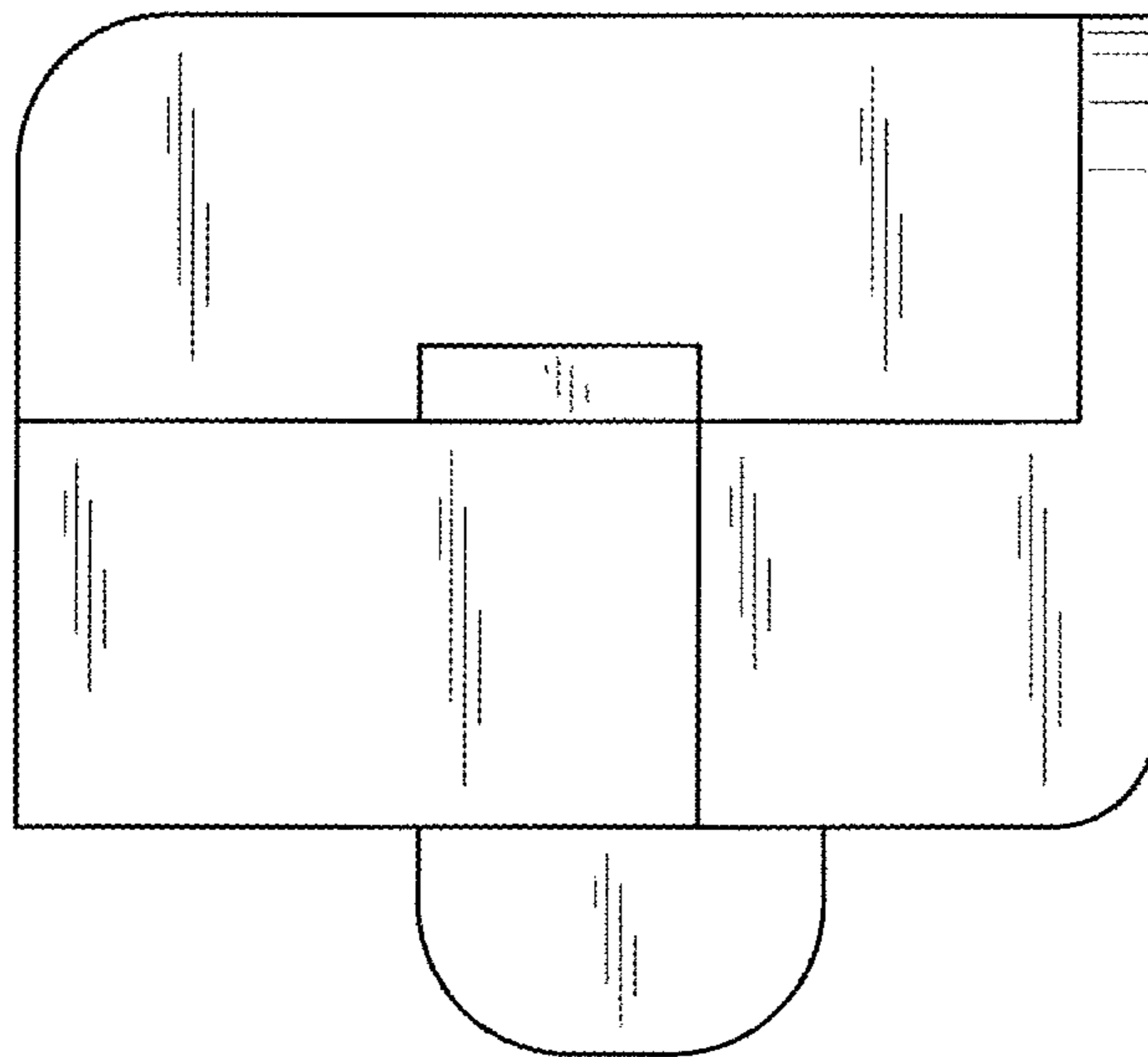


FIG. 3

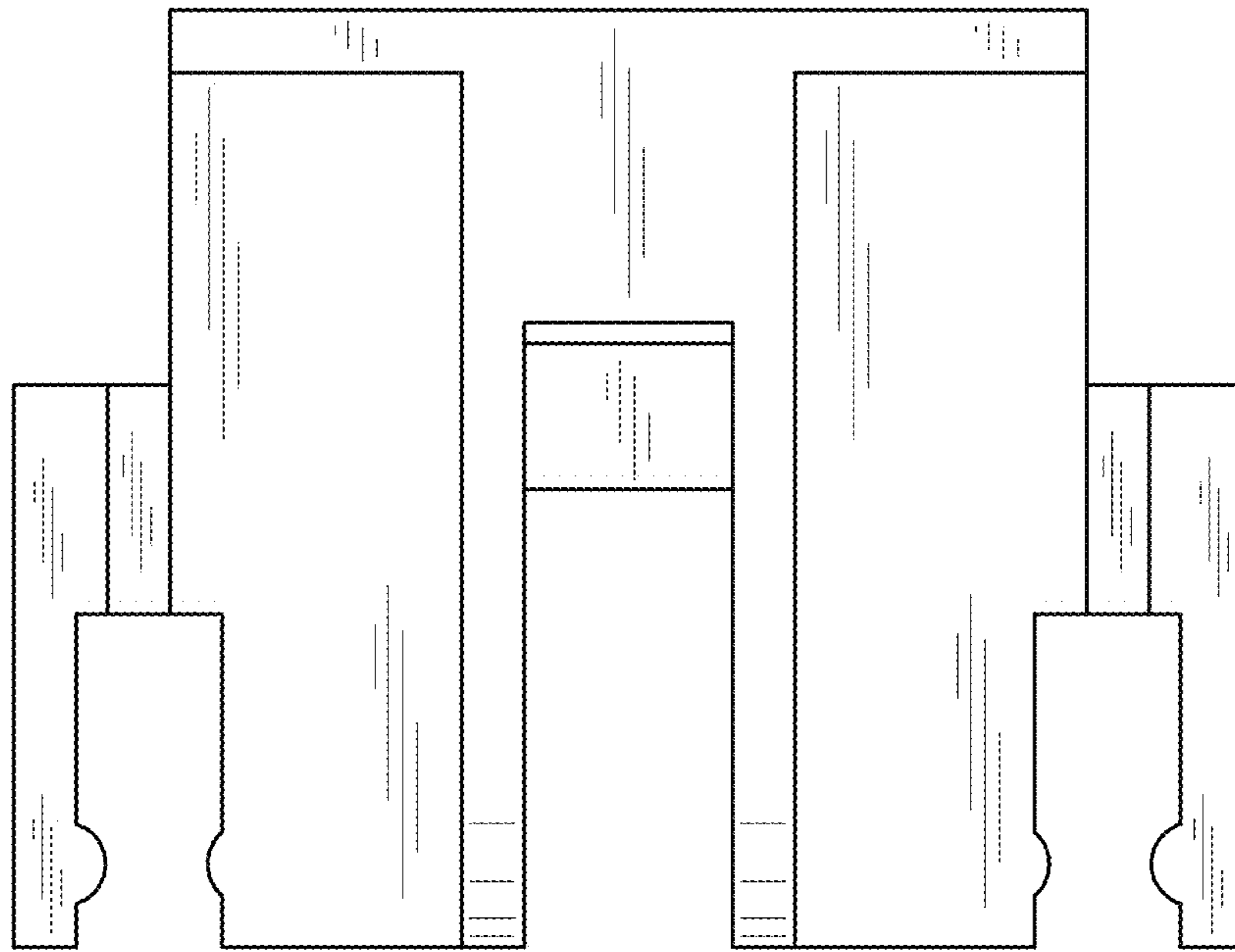


FIG. 4

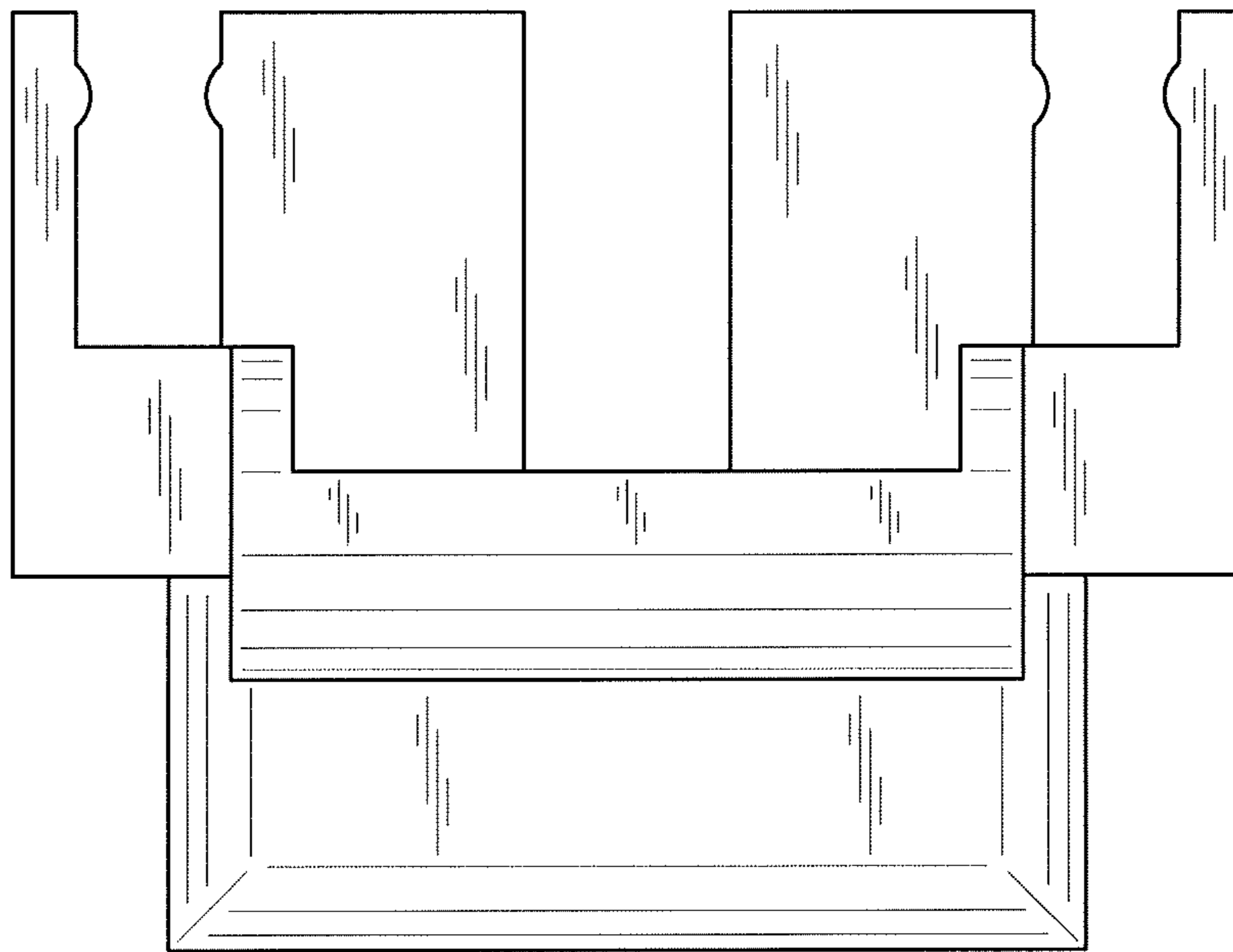


FIG. 5

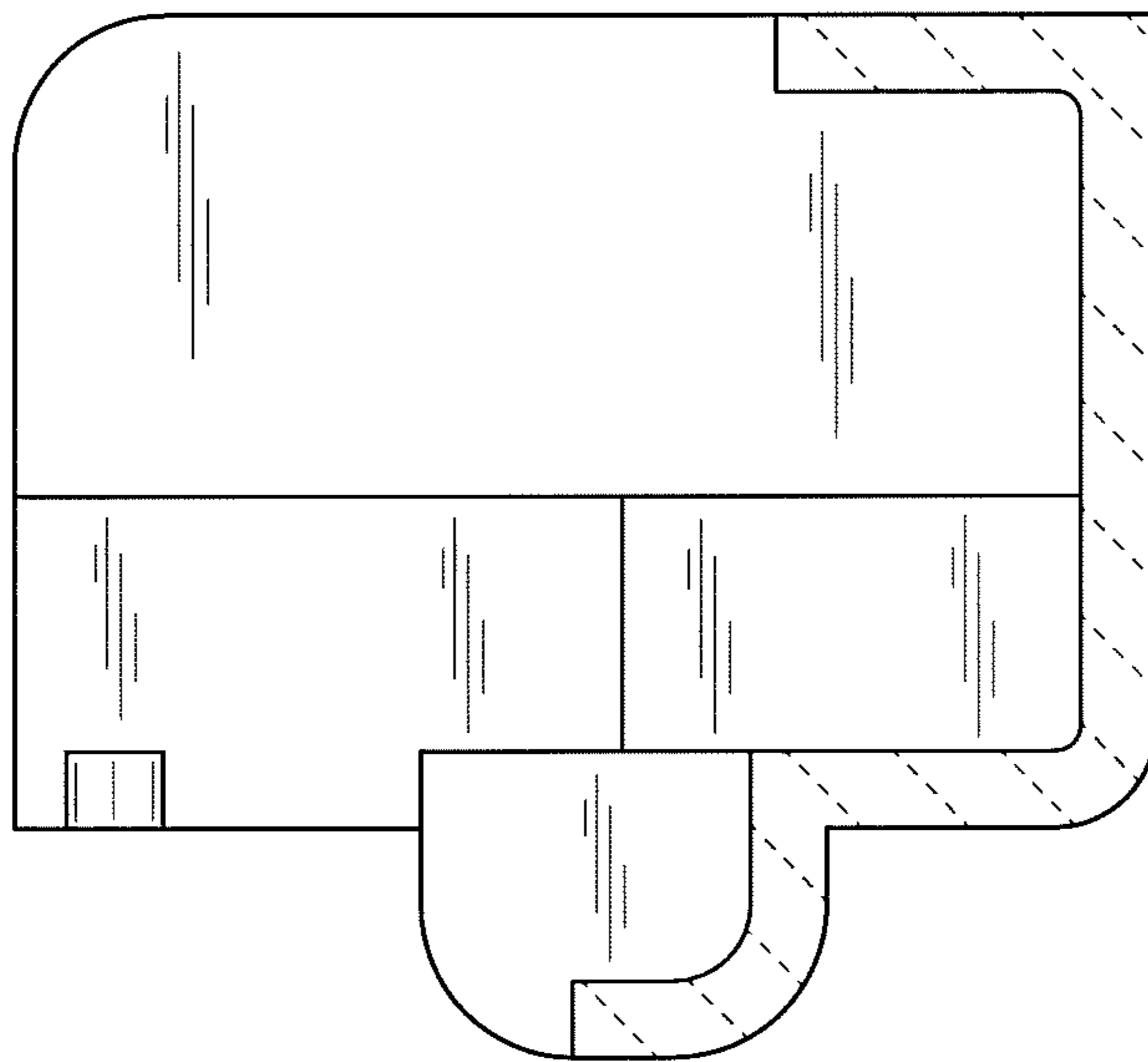


FIG. 6



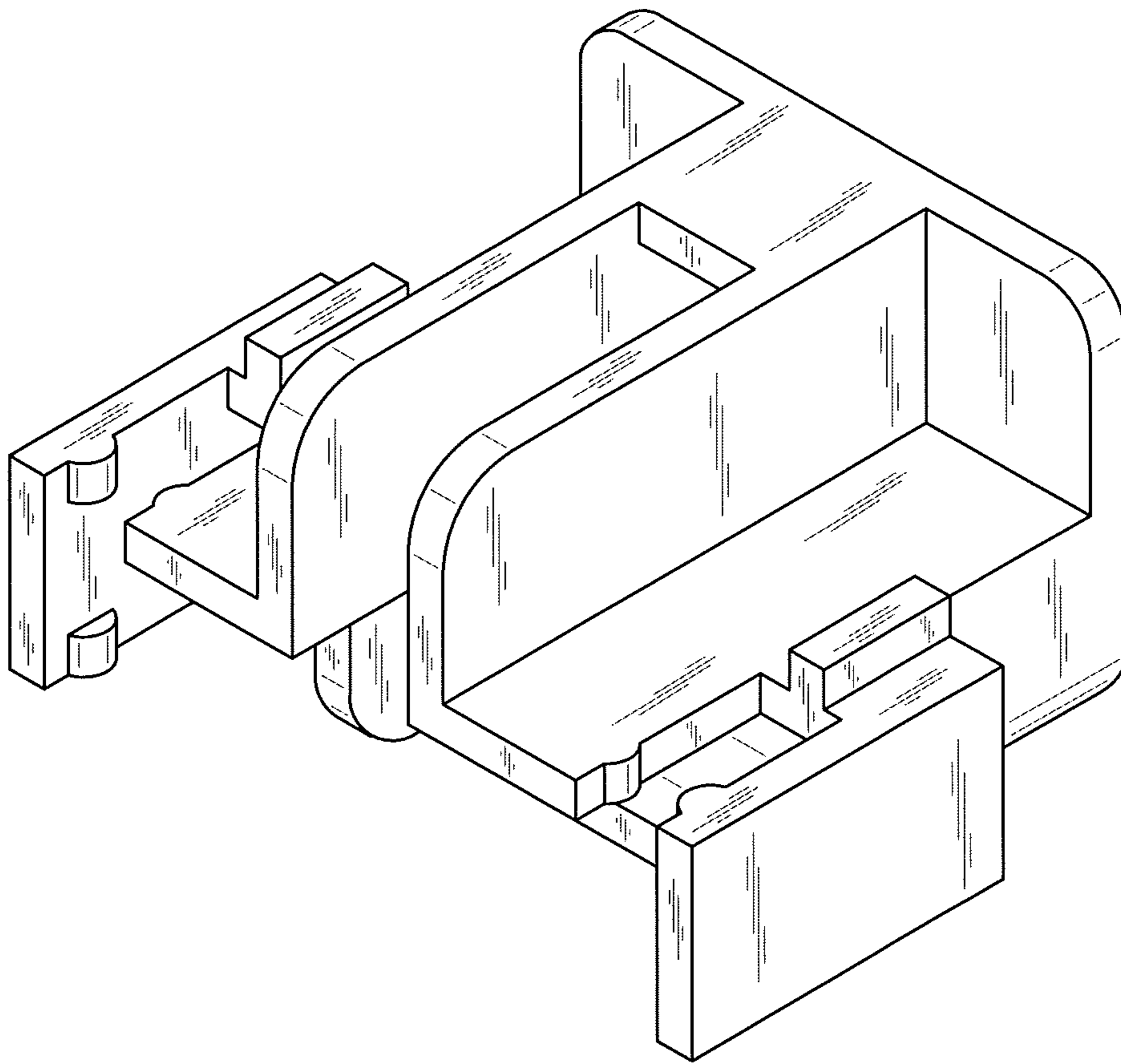


FIG. 7

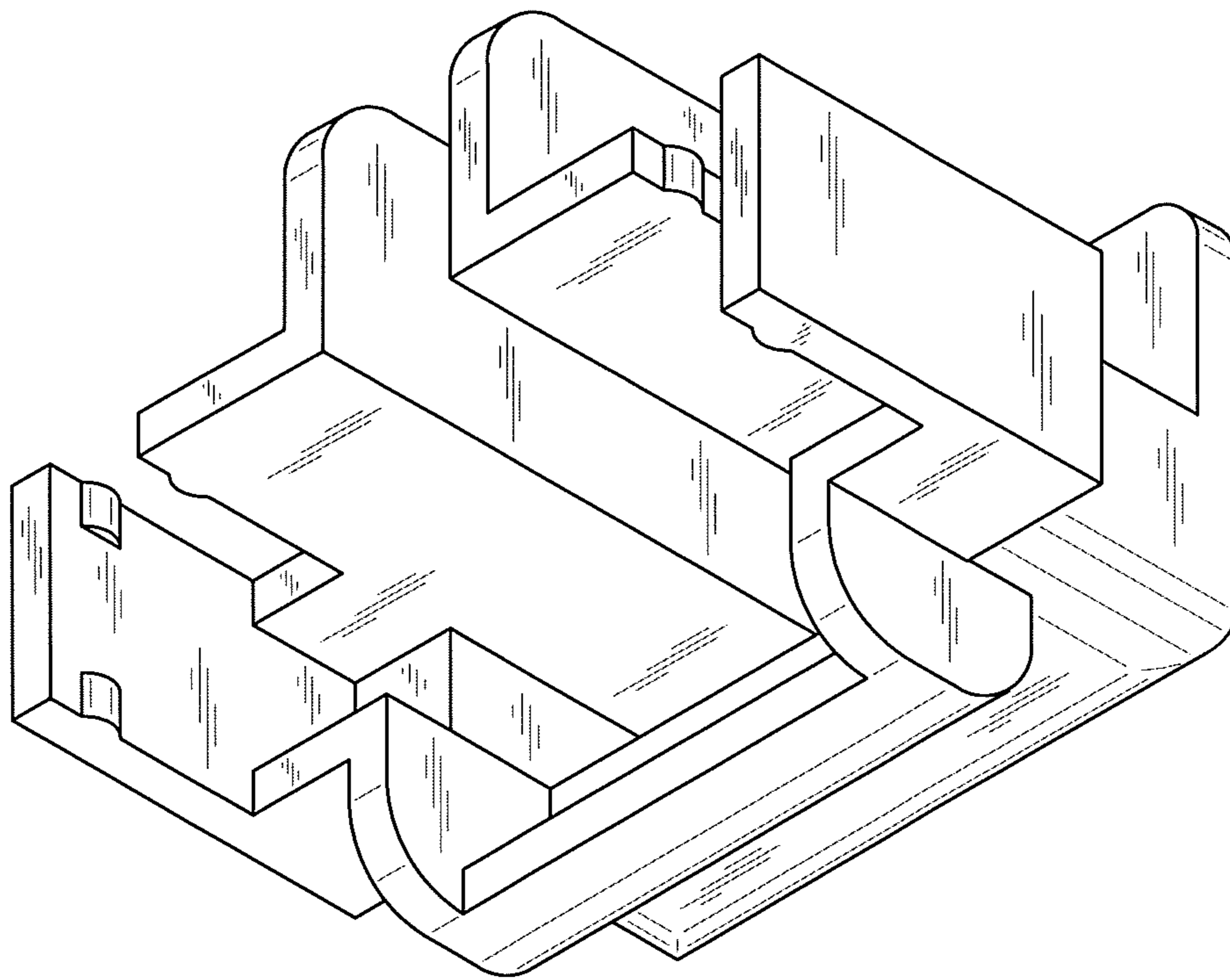


FIG. 8