



US00D892267S

(12) **United States Design Patent** (10) **Patent No.:** **US D892,267 S**
Shane et al. (45) **Date of Patent:** **** Aug. 4, 2020**

(54) **SURFACE-MOUNTED APPLICATOR DEVICE**

(71) Applicant: **TOMI Environmental Solutions, Inc.**,
Frederick, MD (US)

(72) Inventors: **Halden Stuart Shane**, Beverly Hills,
CA (US); **Johnny Sullivan Cato**,
Lynwood, CA (US); **Ben James Flyr**,
Columbia, MD (US)

(73) Assignee: **TOMI ENVIRONMENTAL
SOLUTIONS, INC.**, Frederick, MD
(US)

(**) Term: **15 Years**

(21) Appl. No.: **29/667,295**

(22) Filed: **Oct. 19, 2018**

(51) **LOC (12) Cl.** **23-01**

(52) **U.S. Cl.**
USPC **D23/213**

(58) **Field of Classification Search**
USPC D23/213, 214, 218, 227, 254; D8/350,
D8/352, 399; D21/443, 444; D30/119,
D30/121, 123, 124, 131, 132, 160;
D24/130; D15/144, 144.1, 144.2;
D13/152, 160, 162
CPC B05B 15/70; B05B 15/74; B05B 15/00;
B05B 1/30; B05B 1/14; A01G 3/06;
A01G 25/00; A63F 13/10
See application file for complete search history.

(56) **References Cited**

U.S. PATENT DOCUMENTS

D391,922 S * 3/1998 Aromin D13/160
D434,010 S * 11/2000 Stekelenburg D13/160
D435,019 S * 12/2000 Lewis D13/155

D531,129 S * 10/2006 Muto D13/152
D629,365 S * 12/2010 Garcia De Vicuna D13/152
D646,640 S * 10/2011 Clymer D13/160
D649,708 S * 11/2011 Oneil D27/163
D783,544 S * 4/2017 Peng D13/160
9,913,493 B2 * 3/2018 Worm A24F 47/008
9,955,733 B2 * 5/2018 Sur A24F 47/008
D828,622 S * 9/2018 Chen D27/162
2009/0283103 A1 * 11/2009 Nielsen A24F 1/30
131/273
2010/0178793 A1 * 7/2010 Wu B66F 3/44
439/374

* cited by examiner

Primary Examiner — Brandon M Rosati

Assistant Examiner — John A Voytek

(74) *Attorney, Agent, or Firm* — Ping Wang; Morris,
Manning & Martin LLP

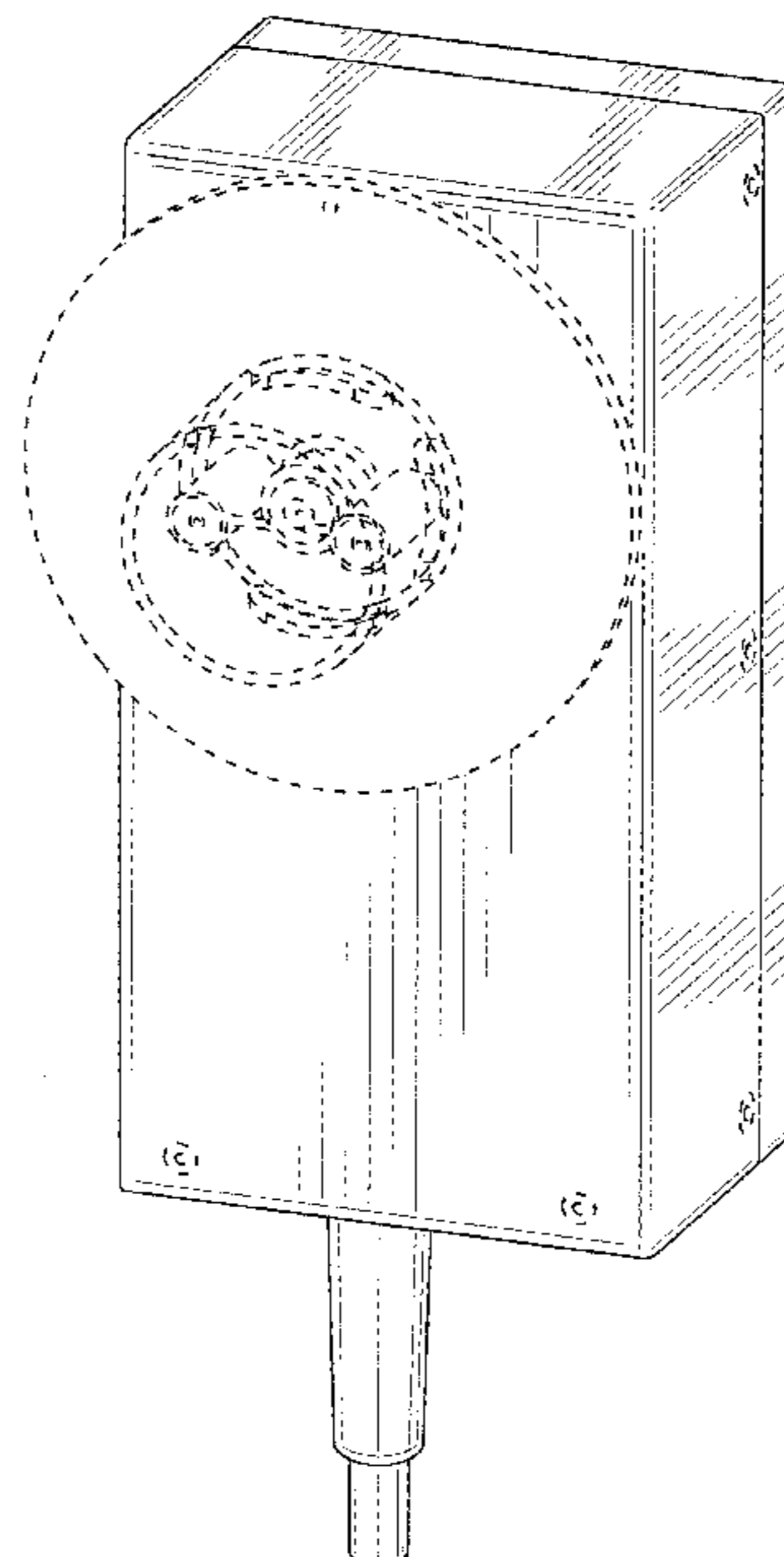
(57) **CLAIM**

The ornamental design of a surface-mounted applicator device, as shown and described.

DESCRIPTION

FIG. 1 is a rear perspective view of a surface-mounted applicator device in accordance with the present invention; FIG. 2 is a front perspective view thereof; FIG. 3 is a bottom perspective view thereof; FIG. 4 is a rear view thereof; FIG. 5 is a front view thereof; FIG. 6 is a right side view thereof; FIG. 7 is a left side view thereof; FIG. 8 is a top view thereof; FIG. 9 is a bottom view thereof; and, FIG. 10 is a wall-mounted front perspective view thereof. The broken lines shown in the drawings represent portions of the surface-mounted applicator device that form no part of the presently claimed design.

1 Claim, 9 Drawing Sheets



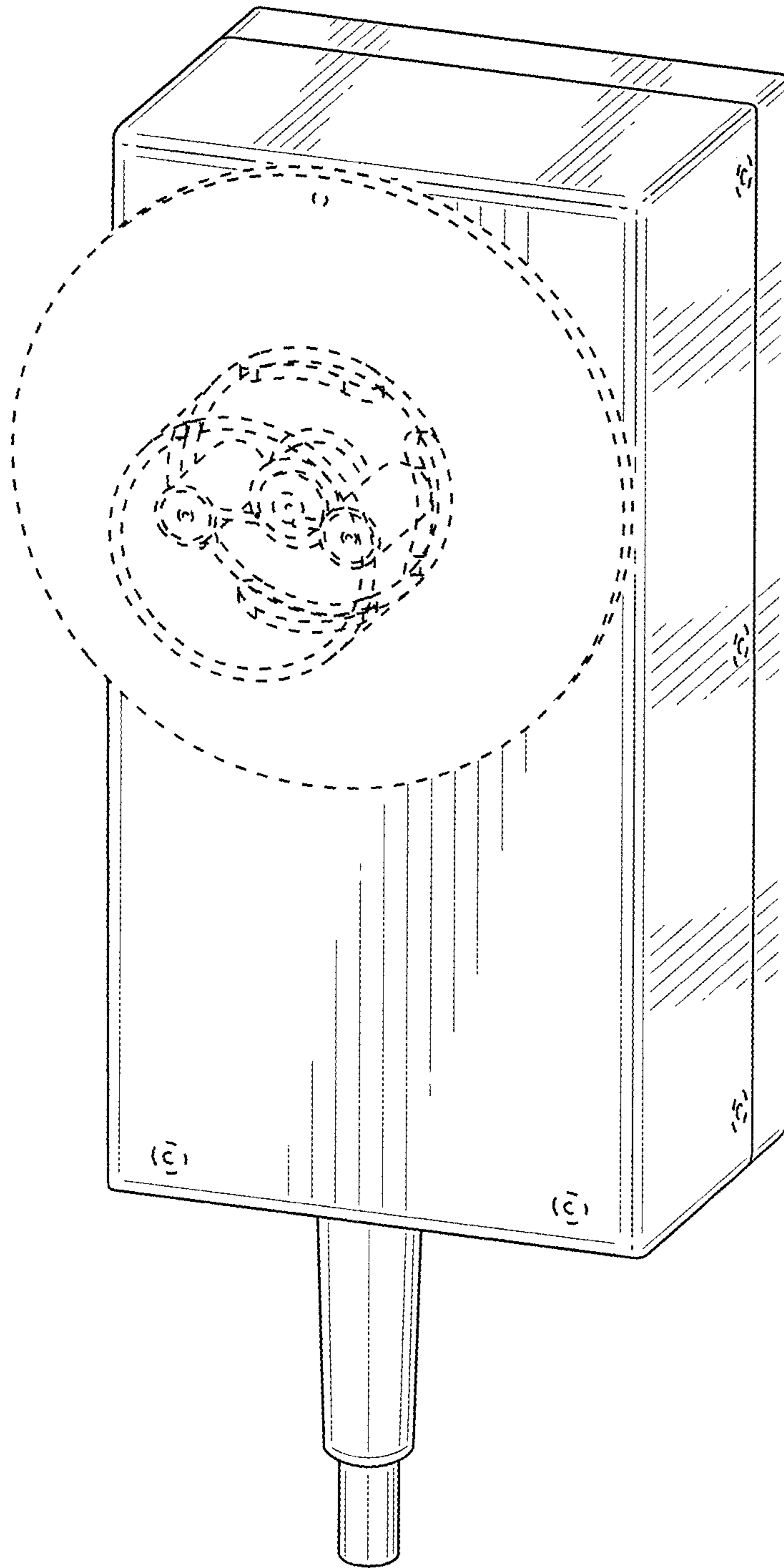


FIG. 1

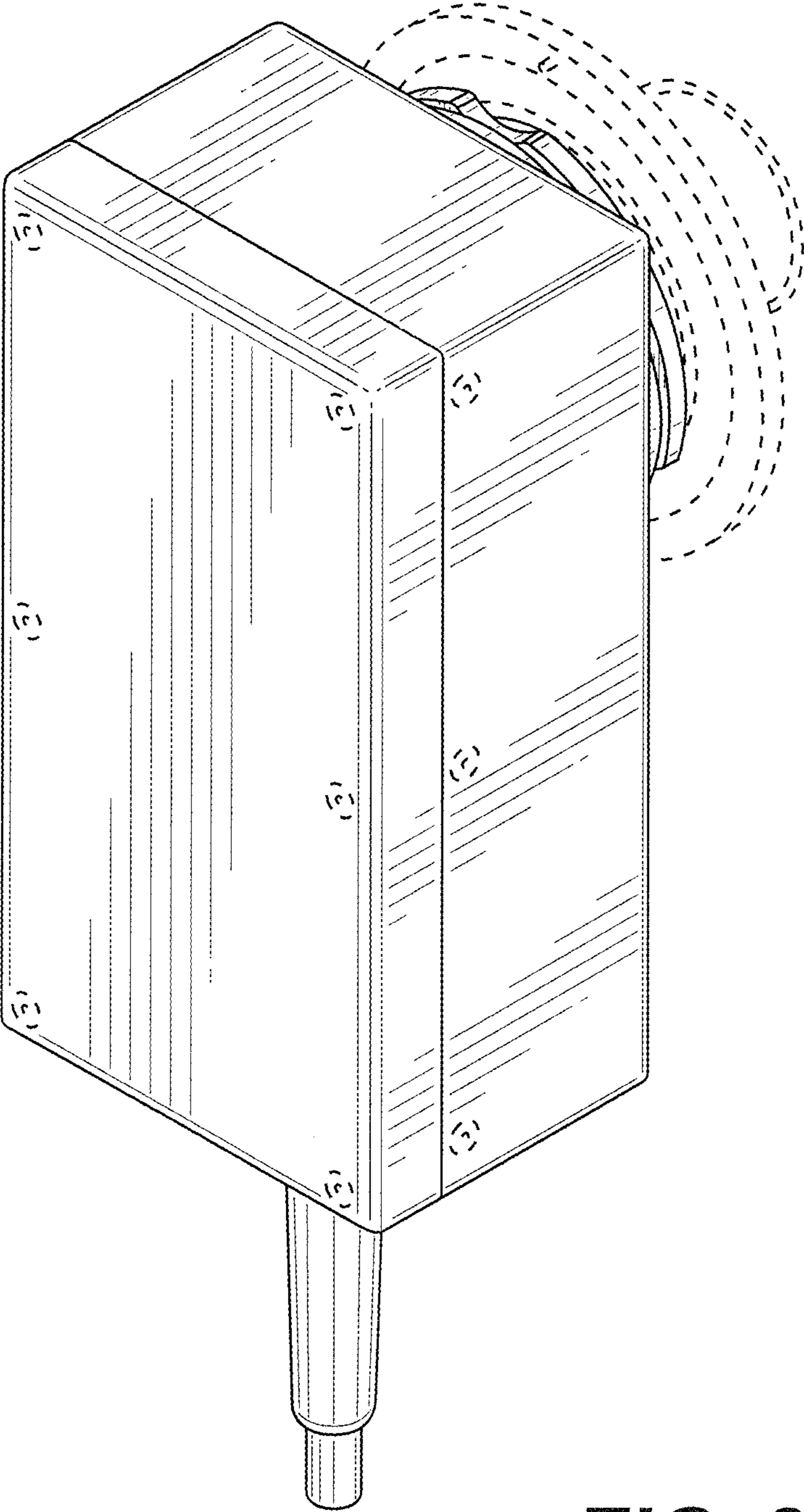


FIG. 2

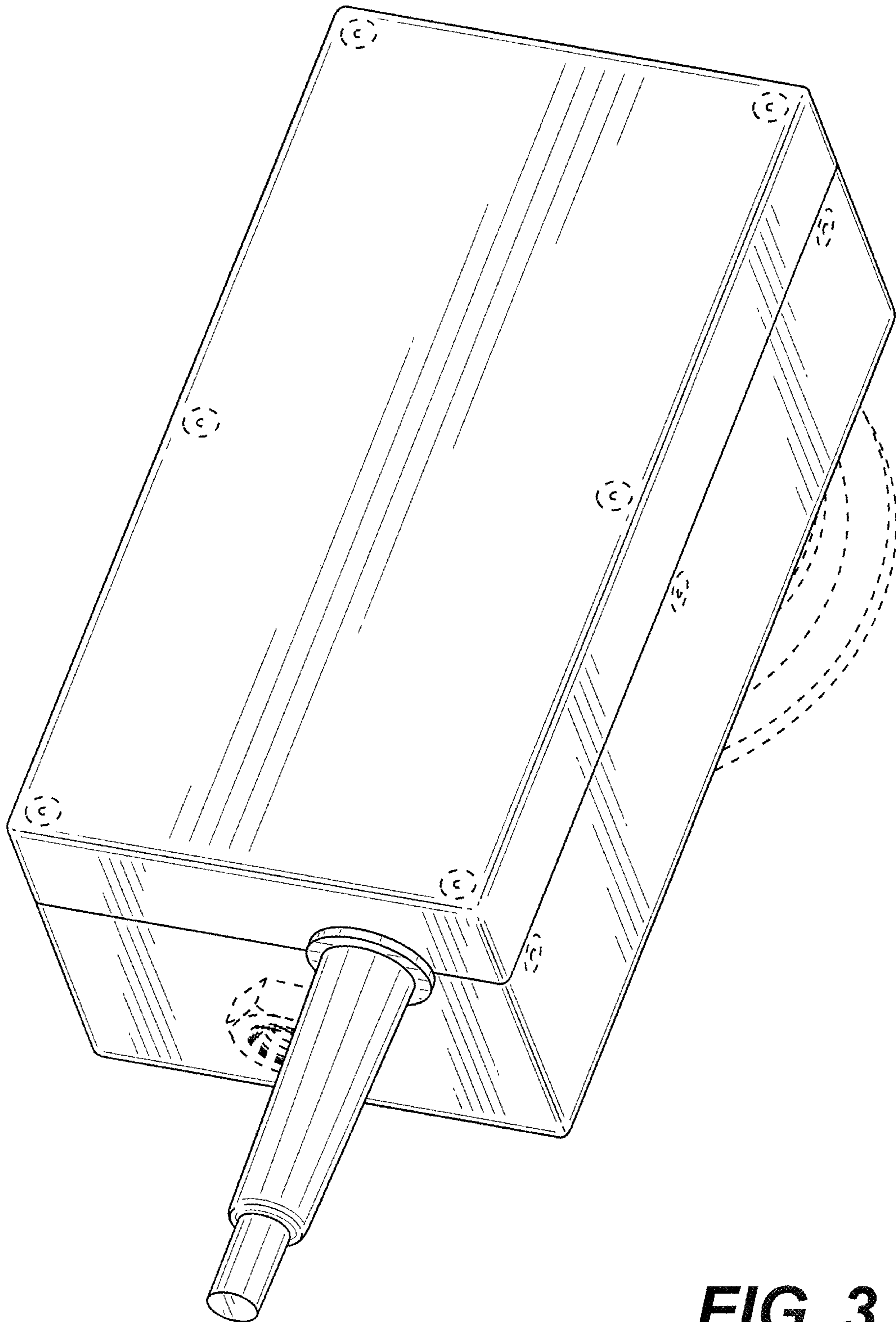


FIG. 3

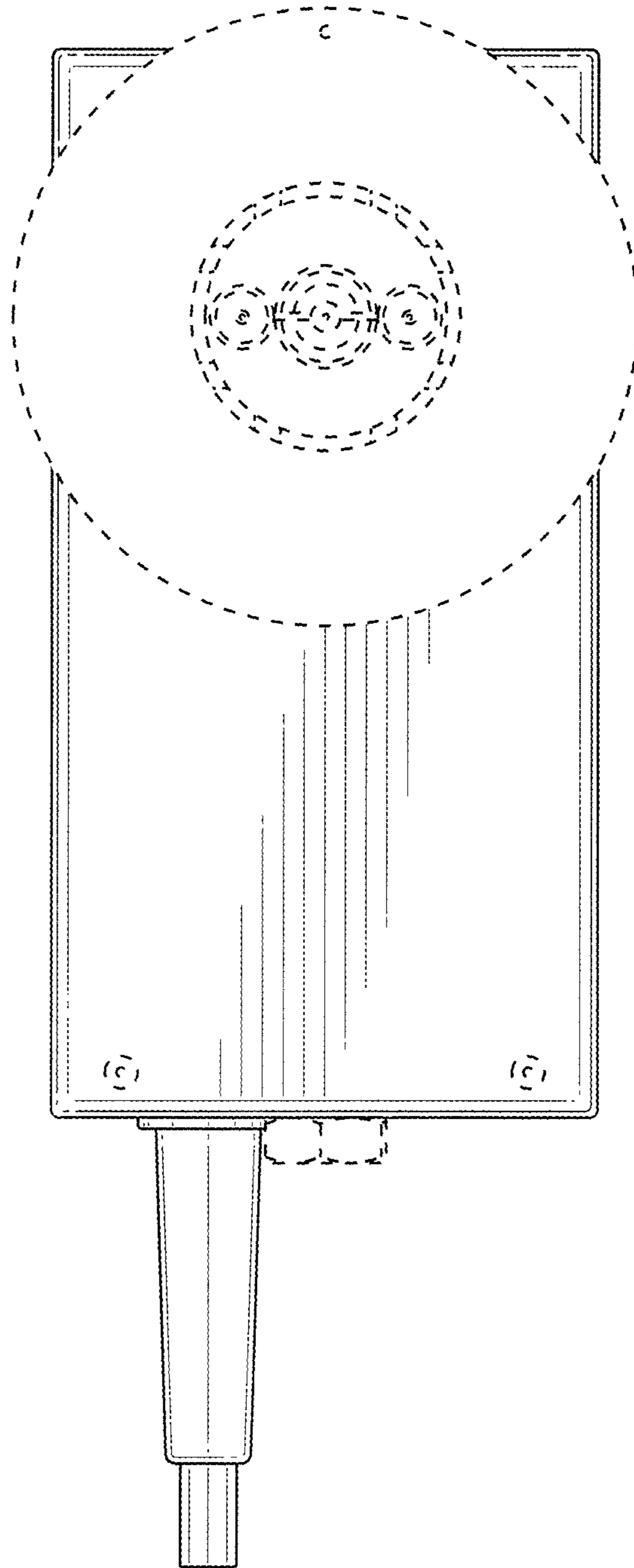


FIG. 4

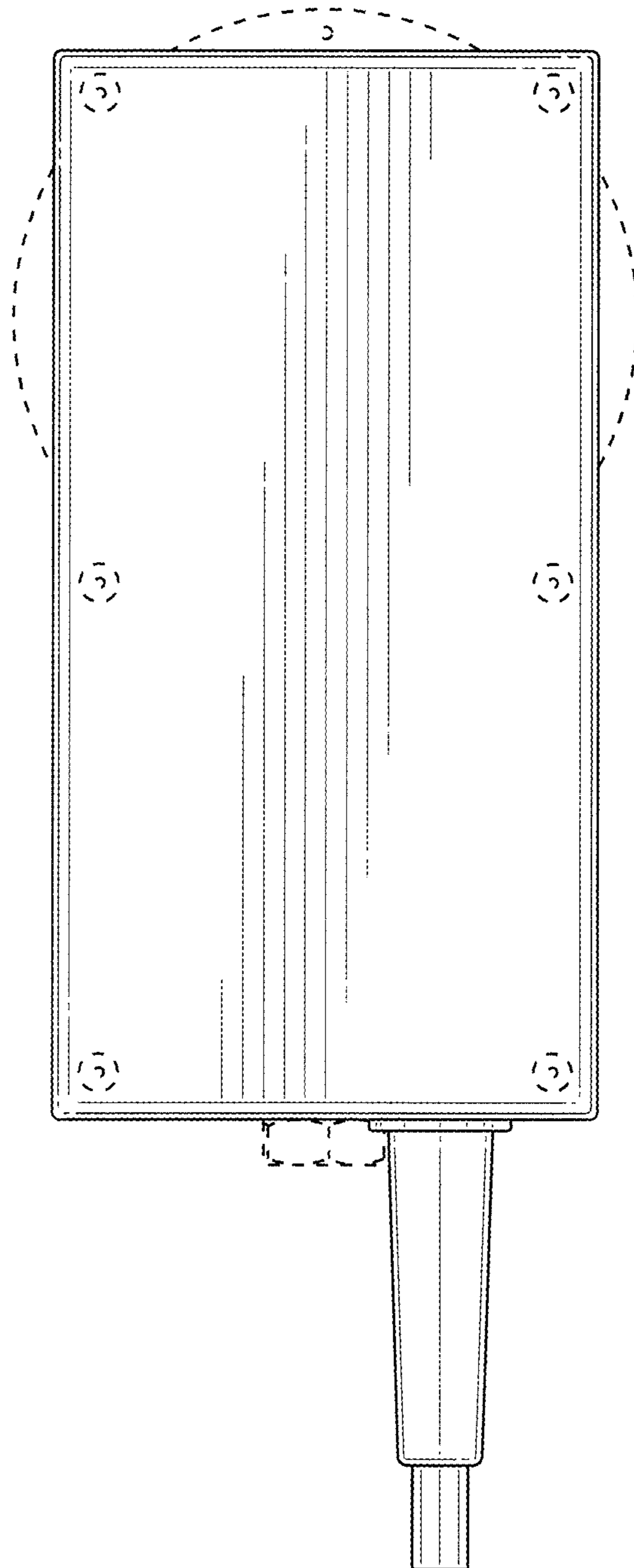


FIG. 5

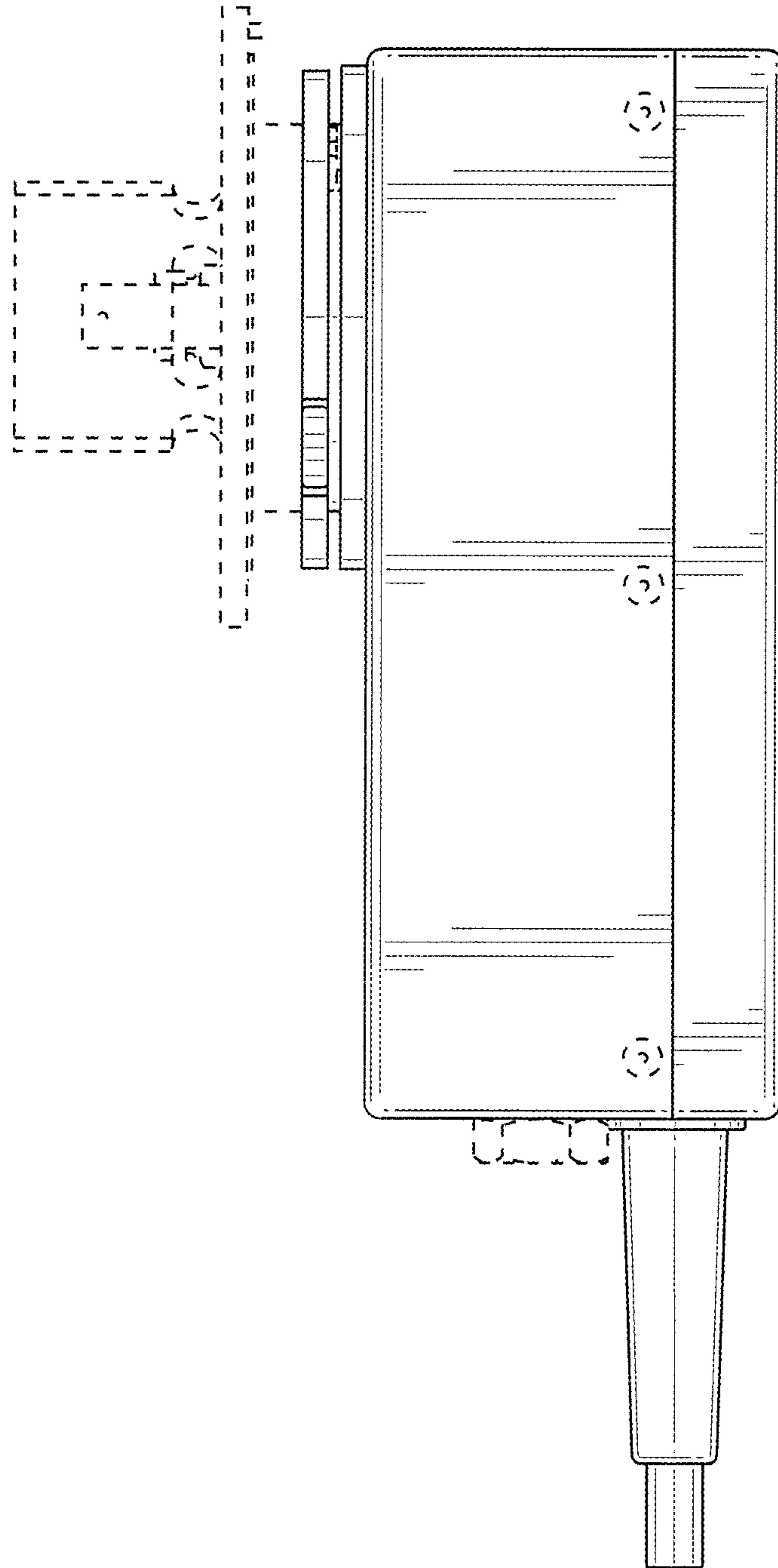


FIG. 6

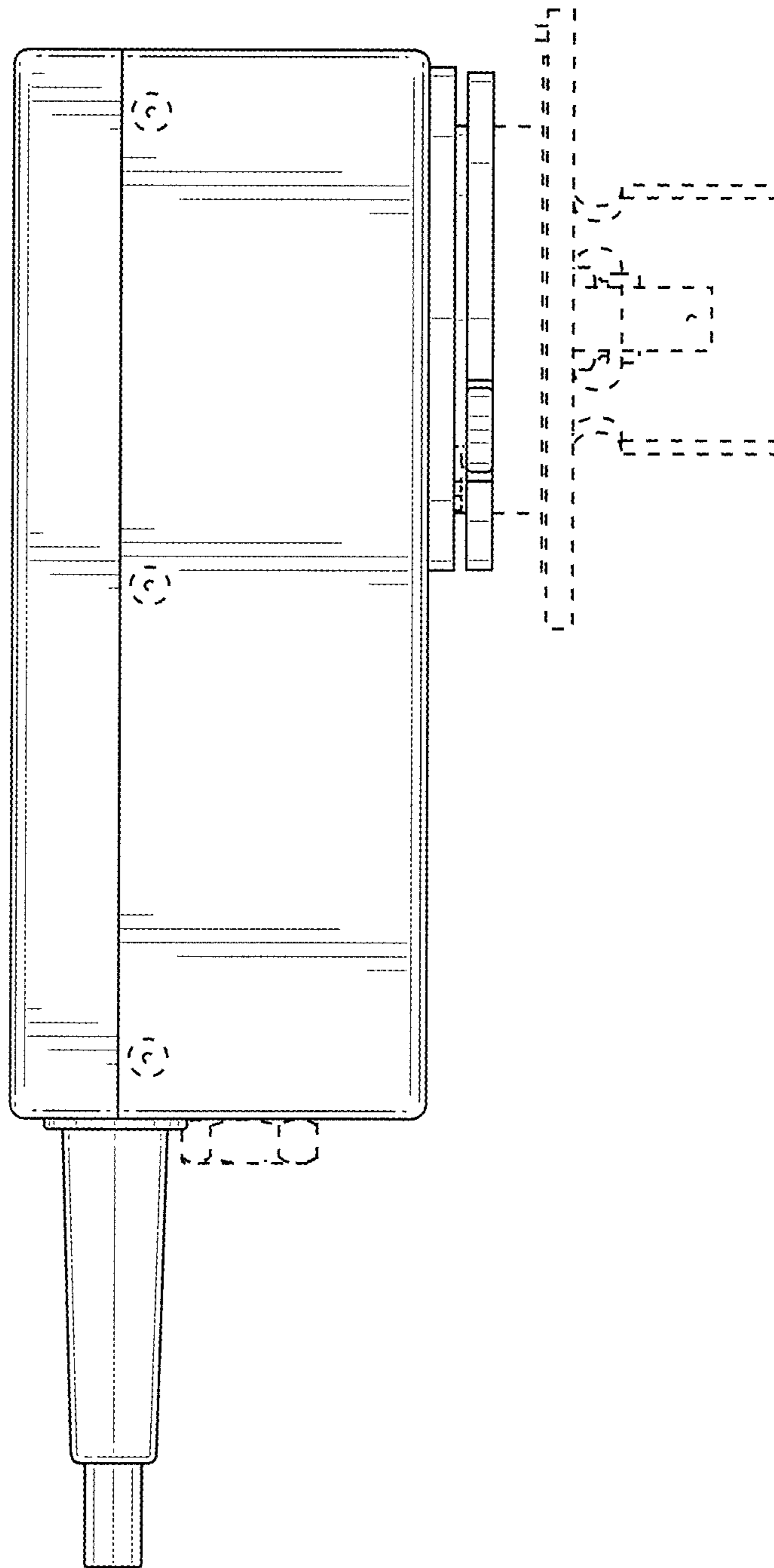


FIG. 7

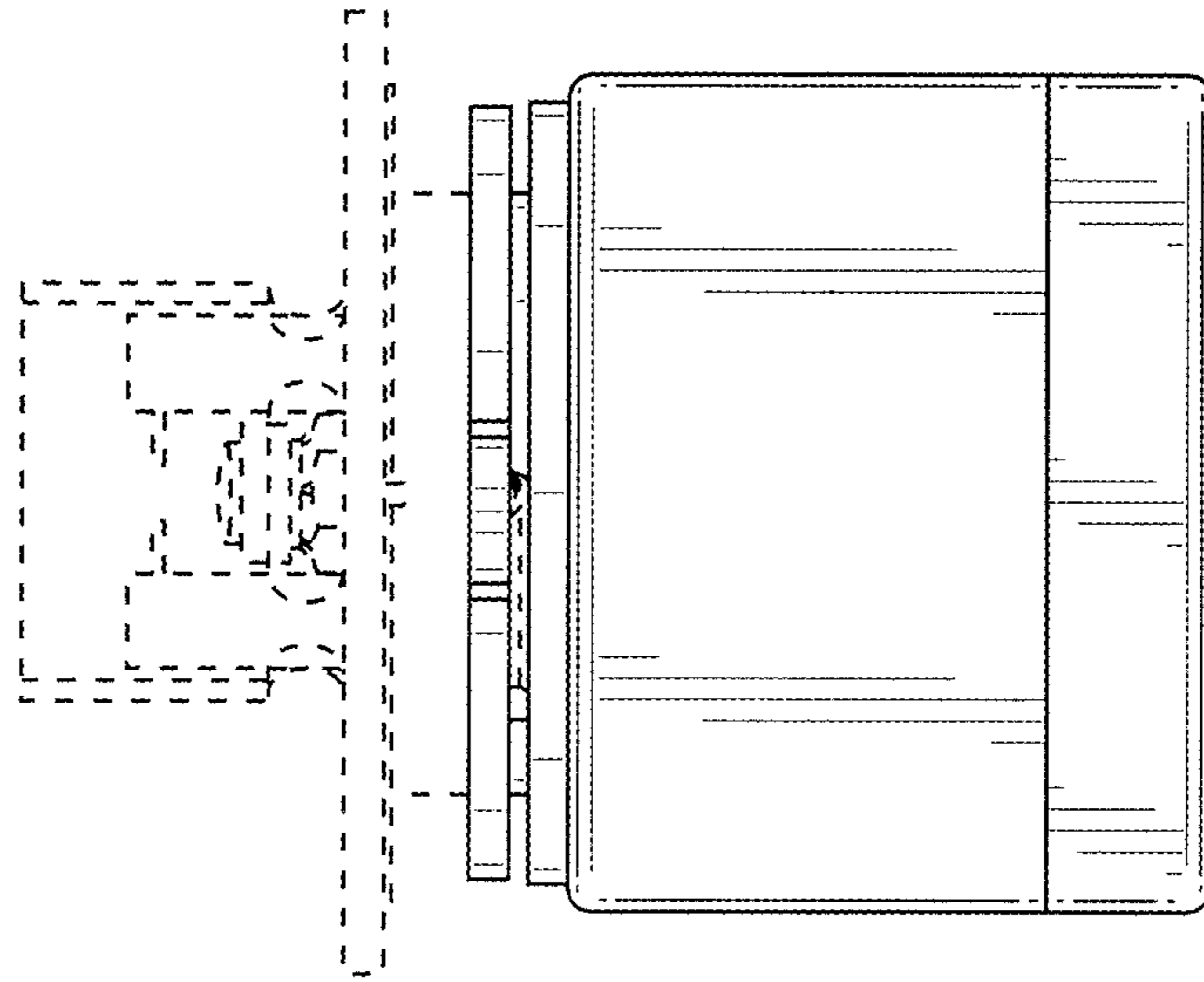


FIG. 8

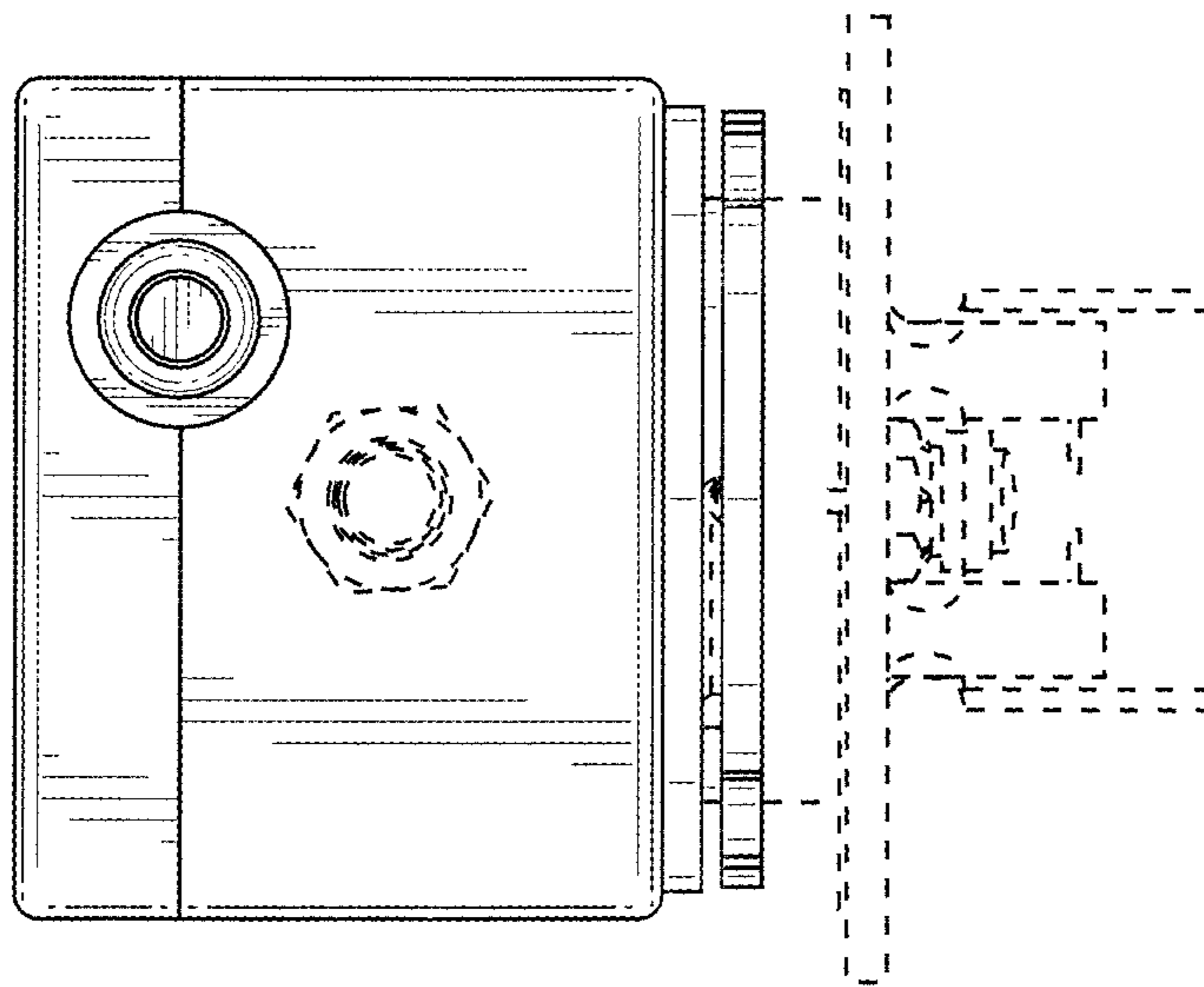


FIG. 9

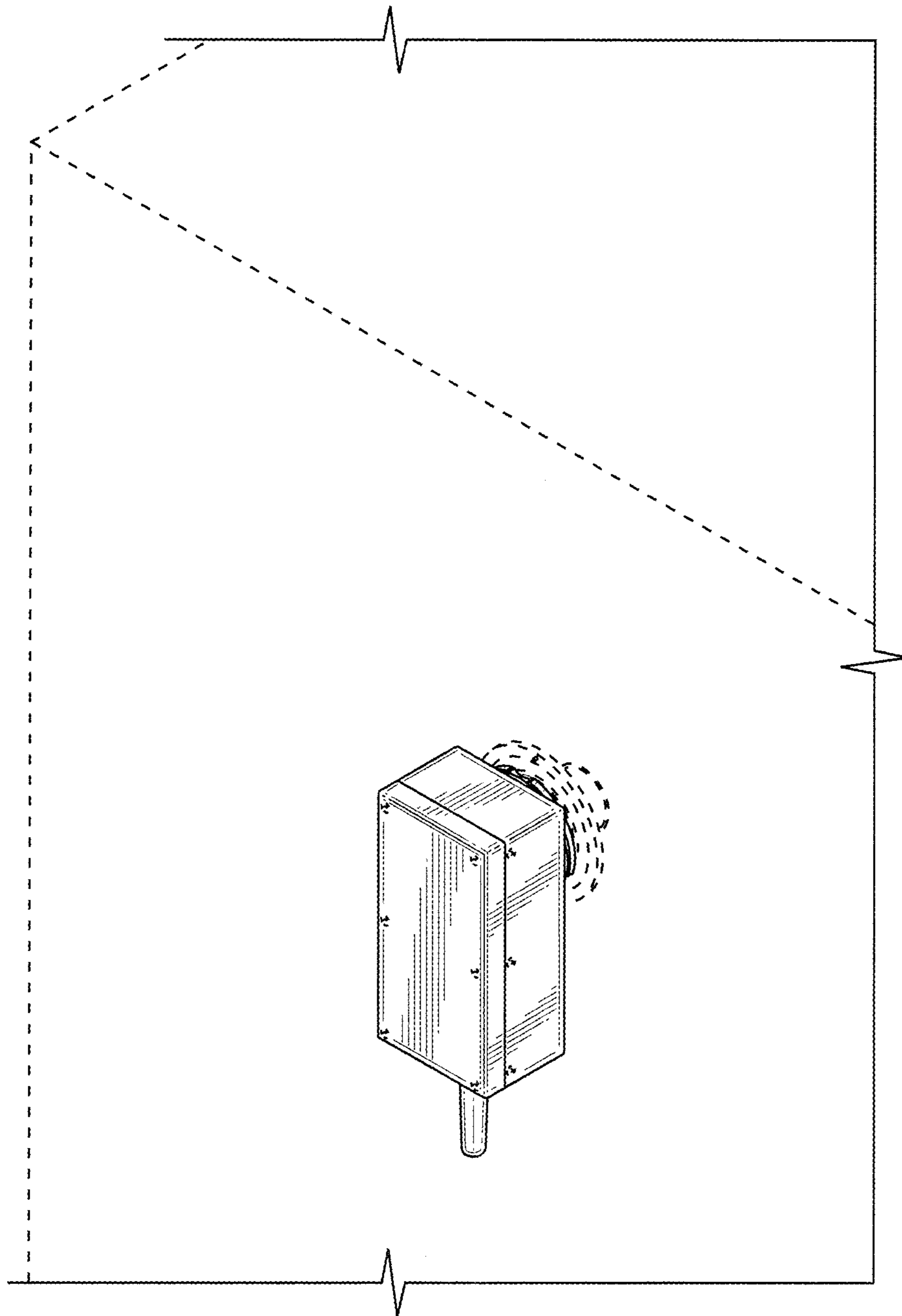


FIG. 10