



US00D892266S

(12) **United States Design Patent** (10) **Patent No.:** **US D892,266 S**
Zou (45) **Date of Patent:** **** Aug. 4, 2020**

(54) **WATER FILTER**
(71) Applicant: **Qingdao Ecopure Filter Co., Ltd,**
Qingdao (CN)
(72) Inventor: **Zhibin Zou,** Qingdao (CN)
(73) Assignee: **QINGDAO ECOPURE FILTER CO.,**
LTD, Jimo, Qingdao (CN)

D557,683 S * 12/2007 Suzuki D14/188
D567,060 S * 4/2008 Busalt D8/310
D598,893 S * 8/2009 Asai D14/188
D671,520 S * 11/2012 Kanou D14/157
D672,743 S * 12/2012 Suzuki D14/157
D703,998 S * 5/2014 Funnell, II D7/393
D721,350 S * 1/2015 Kim D14/188
D790,950 S * 7/2017 Kraus D8/330
D792,189 S * 7/2017 Incukur D8/311
D867,104 S * 11/2019 Morstatt D8/330

(**) Term: **15 Years**

(21) Appl. No.: **29/668,430**

(22) Filed: **Oct. 30, 2018**

(30) **Foreign Application Priority Data**

Oct. 29, 2018 (CN) 2018 3 0605767

(51) **LOC (12) Cl.** **23-01**

(52) **U.S. Cl.**
USPC **D23/209**

(58) **Field of Classification Search**
USPC D23/202, 205, 207, 209, 210, 259, 260,
D23/262, 365

CPC B01D 2201/29; B01D 2201/30; B01D
2201/301; B01D 2201/302; B01D
2201/306; B01D 2201/309; B01D 35/30;
C02F 1/002; C02F 1/003

See application file for complete search history.

(56) **References Cited**

U.S. PATENT DOCUMENTS

D269,434 S * 6/1983 Nagele D14/139
D280,507 S * 9/1985 Claxton D14/137
D283,710 S * 5/1986 Wysong D14/198
D297,109 S * 8/1988 Christie D8/341
D306,445 S * 3/1990 Beaumont D14/137
D393,793 S * 4/1998 Blanch D8/341
D402,877 S * 12/1998 Newman D8/341
D557,252 S * 12/2007 Obata D14/188

OTHER PUBLICATIONS

Waterdropfilter.com, Reverse osmosis water filtration system WD-G3-W, undated online product page retrieved Dec. 30, 2019 from <URL:https://www.waterdropfilter.com/products/waterdrop-reverse-osmosis-water-filtration-system> (Year: 2019).*

* cited by examiner

Primary Examiner — Sheryl Lane

Assistant Examiner — Calvin E Vansant

(74) *Attorney, Agent, or Firm* — Muncy, Geissler, Olds & Lowe, P.C.

(57) **CLAIM**

The ornamental design for water filter, as shown and described.

DESCRIPTION

FIG. 1 is a -perspective view of a water filter showing my new design;

FIG. 2 is a front elevational view thereof;

FIG. 3 is a rear elevational view thereof;

FIG. 4 is a right side view thereof;

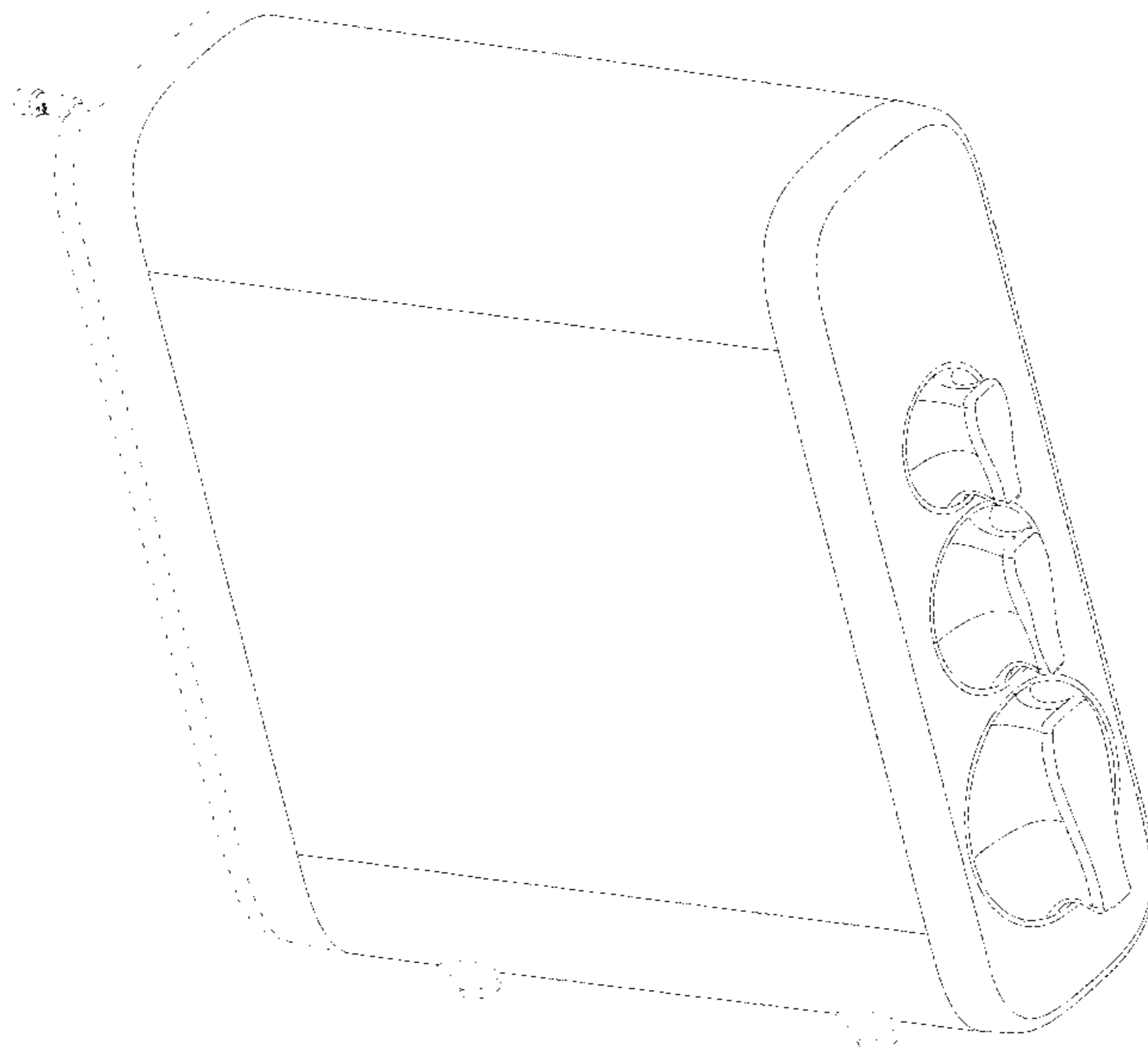
FIG. 5 is a left side view thereof;

FIG. 6 is a top plan view thereof; and,

FIG. 7 is a bottom plan view thereof.

The broken lines in the drawing depict portions of water filter that form no part of the claimed design.

1 Claim, 7 Drawing Sheets



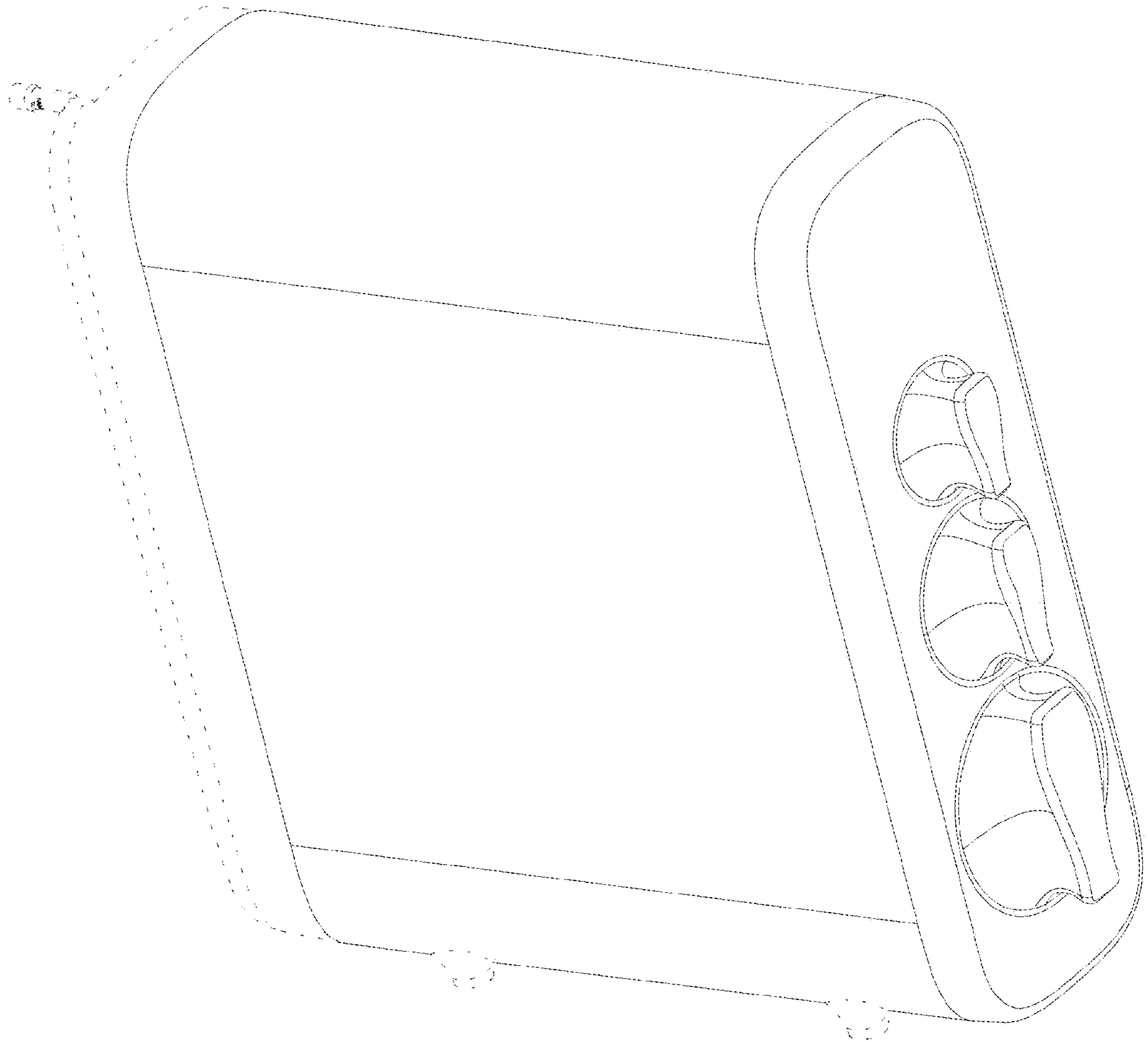


FIG. 1

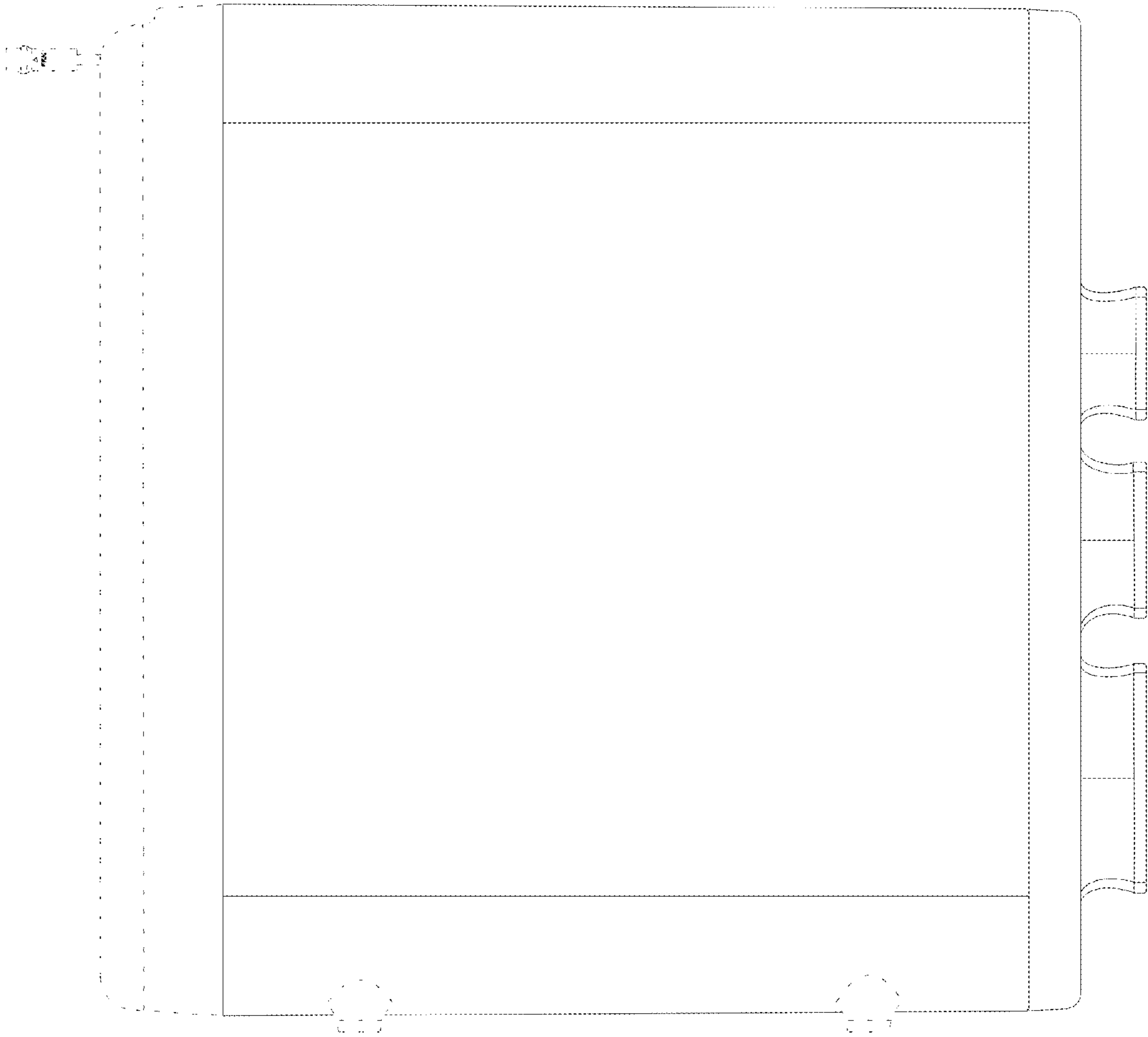


FIG. 2

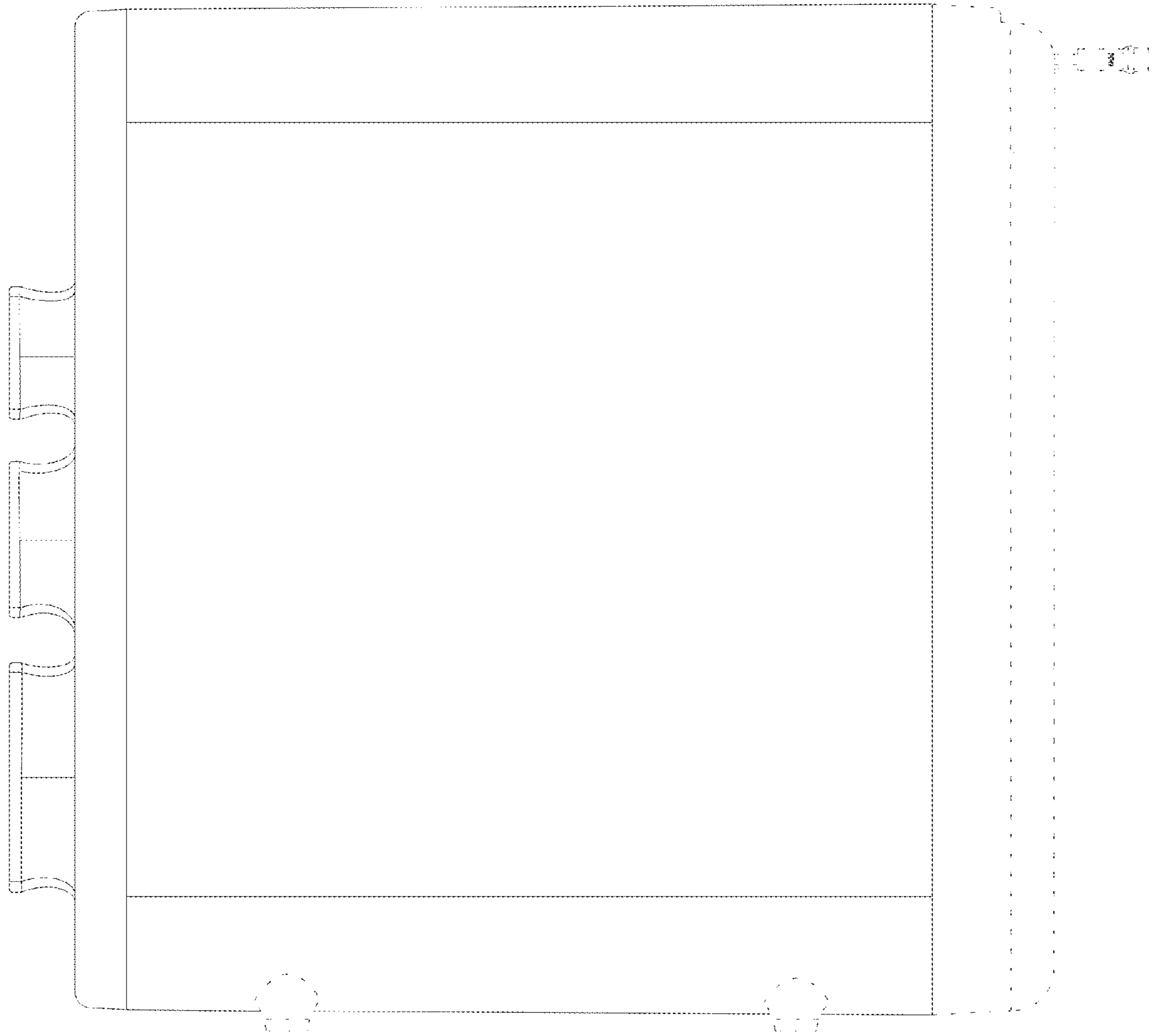


FIG. 3

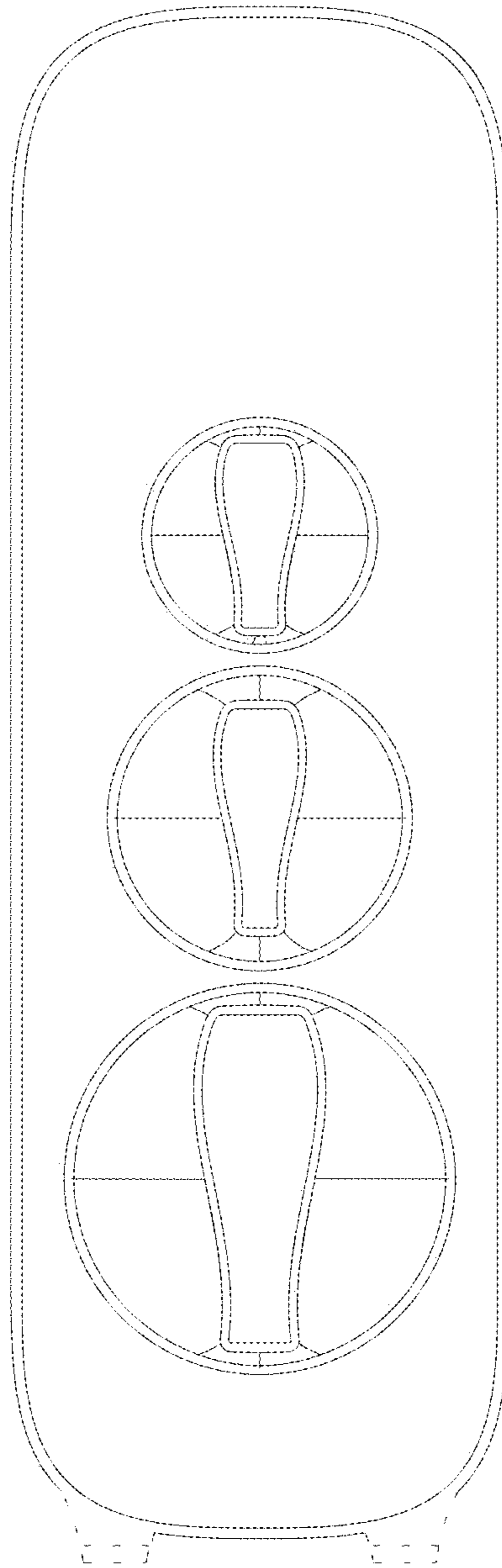


FIG. 4

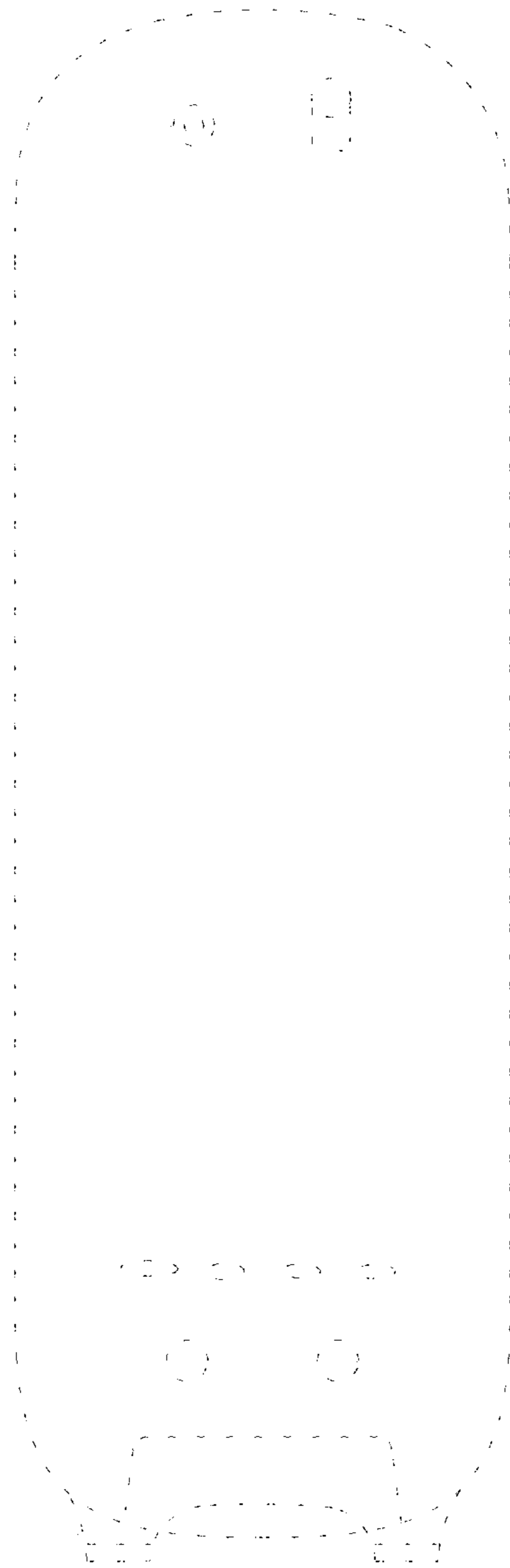


FIG. 5

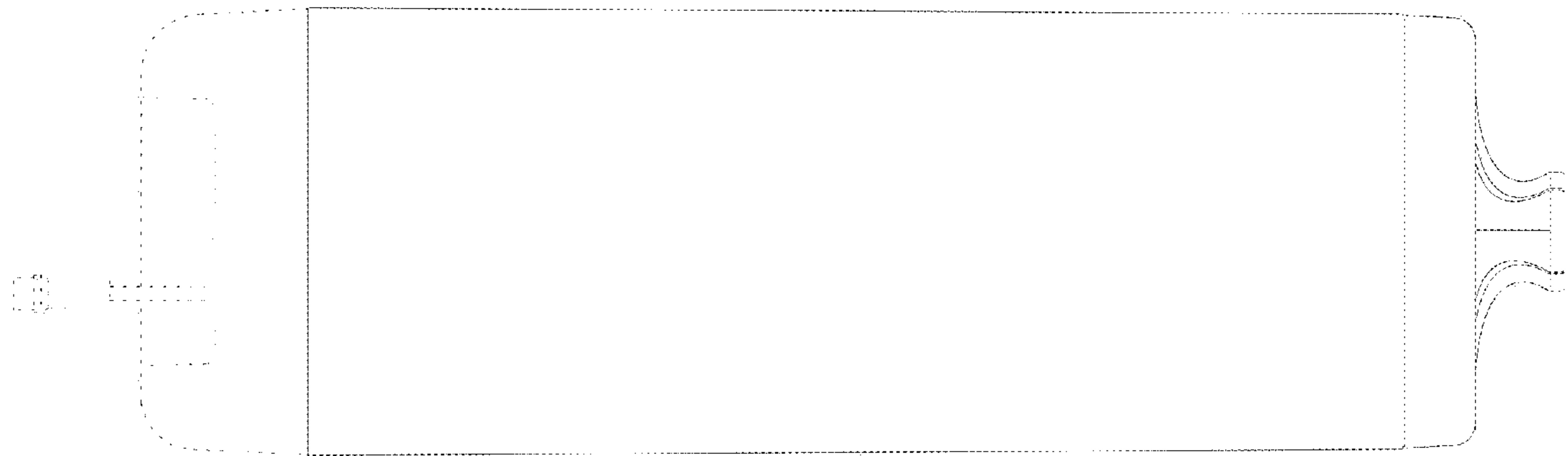


FIG. 6

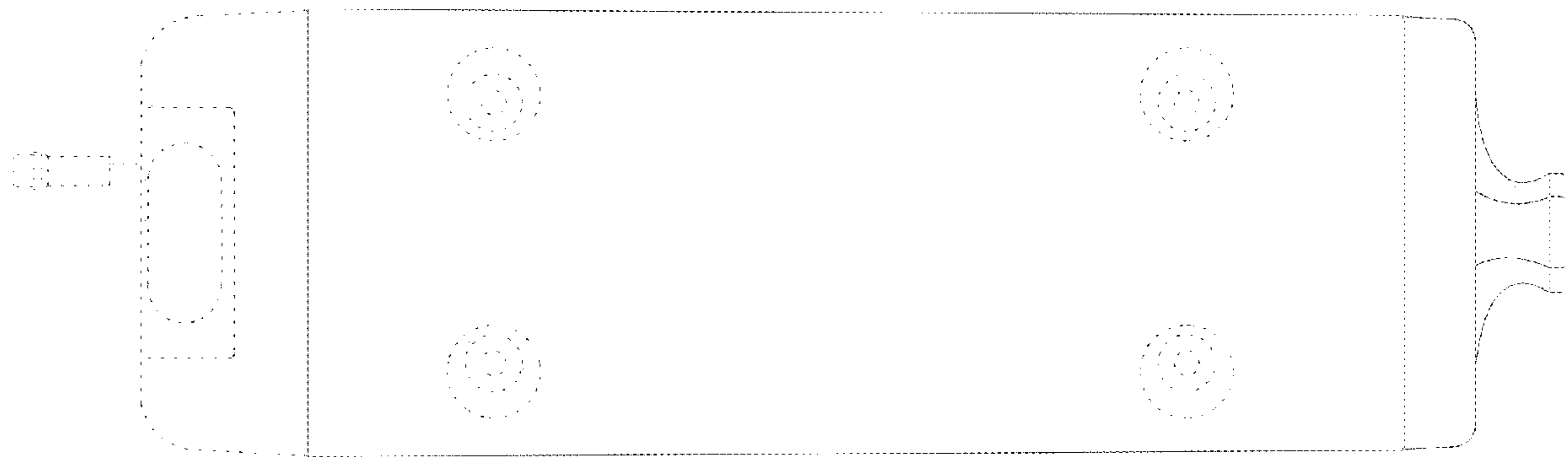


FIG. 7