



US00D892262S

(12) **United States Design Patent** (10) **Patent No.:** **US D892,262 S**
Braden (45) **Date of Patent:** **** Aug. 4, 2020**

(54) **DISINFECTANT DISPENSING RESERVOIR**

(71) Applicant: **Michael R. Braden**, Fayetteville, TX (US)

(72) Inventor: **Michael R. Braden**, Fayetteville, TX (US)

(**) Term: **15 Years**

(21) Appl. No.: **29/682,897**

(22) Filed: **Mar. 8, 2019**

(51) **LOC (12) Cl.** **23-01**

(52) **U.S. Cl.**
USPC **D23/202**

(58) **Field of Classification Search**
USPC D23/200, 202, 207-210; D6/512, 542;
D7/306-308; D9/448
CPC B01D 5/006; B01D 35/30; C02F 1/002;
C02F 1/003
See application file for complete search history.

(56) **References Cited**

U.S. PATENT DOCUMENTS

- D356,625 S * 3/1995 Petrucci B05B 17/0646
D23/209
- D407,419 S * 3/1999 Burch D15/28
- D441,047 S * 4/2001 Scowen D23/207
- D507,035 S * 7/2005 Taniguchi D23/209
- D559,943 S * 1/2008 Mercer D23/207

- D675,893 S * 2/2013 Chen D8/25
- D874,182 S * 2/2020 van Kampen D6/542
- D881,007 S * 4/2020 Christianson D9/448
- D882,727 S * 4/2020 Lee D23/207
- 2008/0099572 A1 * 5/2008 Tollens B05B 17/0646
239/4

* cited by examiner

Primary Examiner — Sheryl Lane

Assistant Examiner — Calvin E Vansant

(74) *Attorney, Agent, or Firm* — Miguel Villarreal, Jr.;
Gunn, Lee & Cave, P.C.

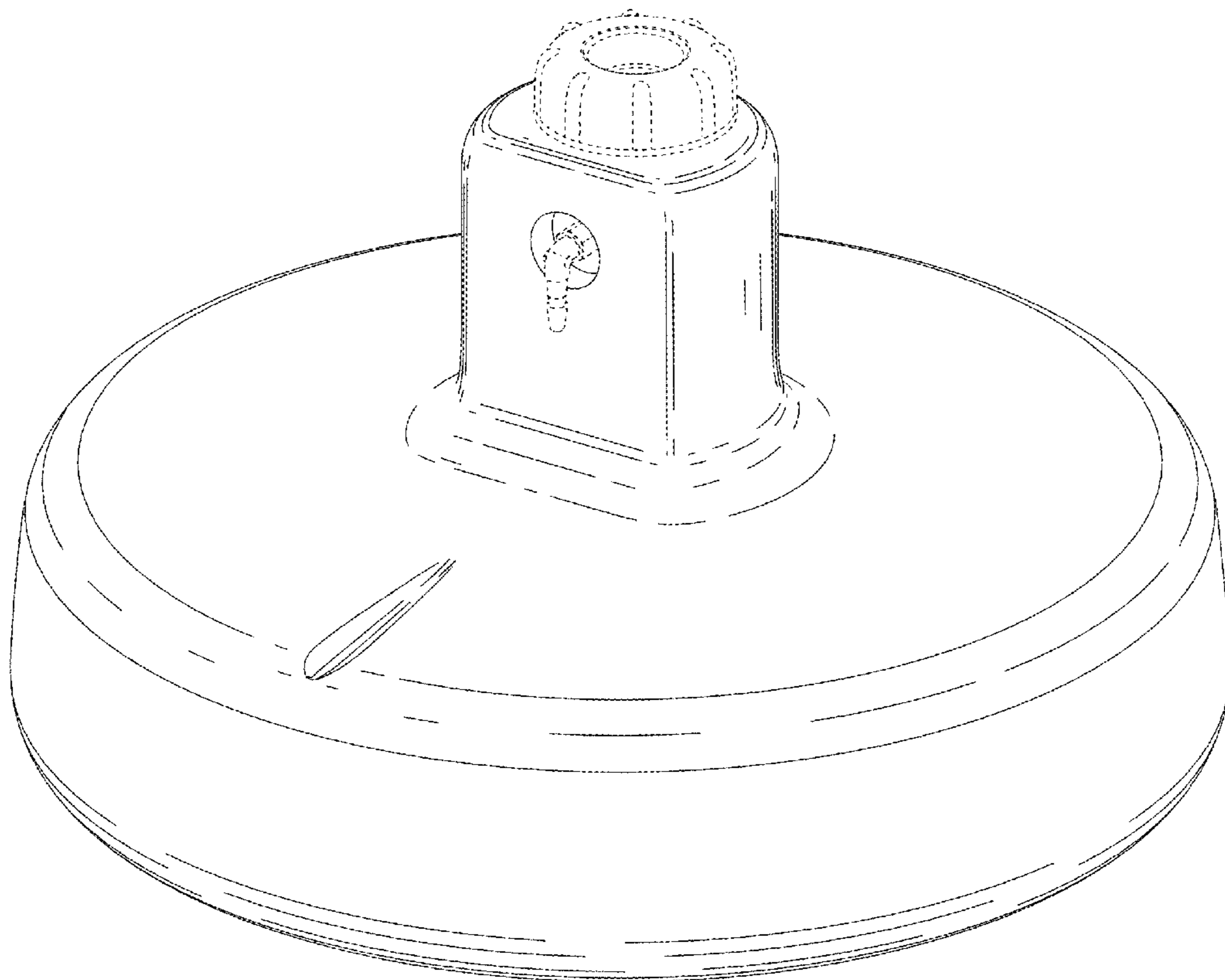
(57) **CLAIM**

An ornamental design for a disinfectant dispensing reservoir, as shown and described.

DESCRIPTION

FIG. 1 is a front right perspective view of the disinfectant dispensing reservoir showing my new design.
 FIG. 2 is a front view of FIG. 1.
 FIG. 3 is a right side elevation view of FIG. 1.
 FIG. 4 is a left side elevation of FIG. 1.
 FIG. 5 is a back view of FIG. 1.
 FIG. 6 is a top view of FIG. 1.
 FIG. 7 is a bottom view of FIG. 1; and,
 FIG. 8 is an environmental perspective view of the disinfectant dispensing reservoir.
 The broken lines illustrate portions of the disinfectant dispensing reservoir that form no part of the claimed design.

1 Claim, 7 Drawing Sheets



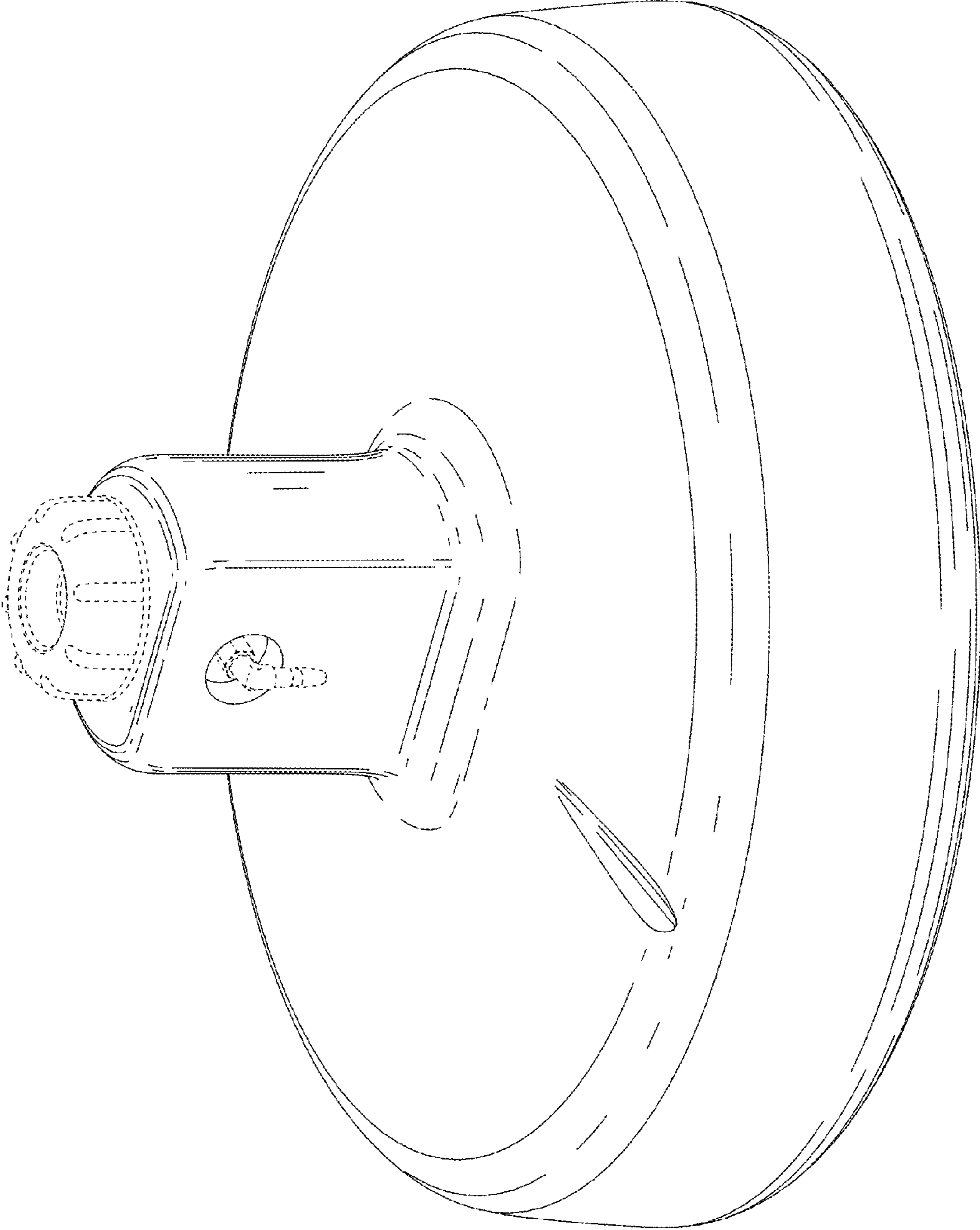


Fig. 1

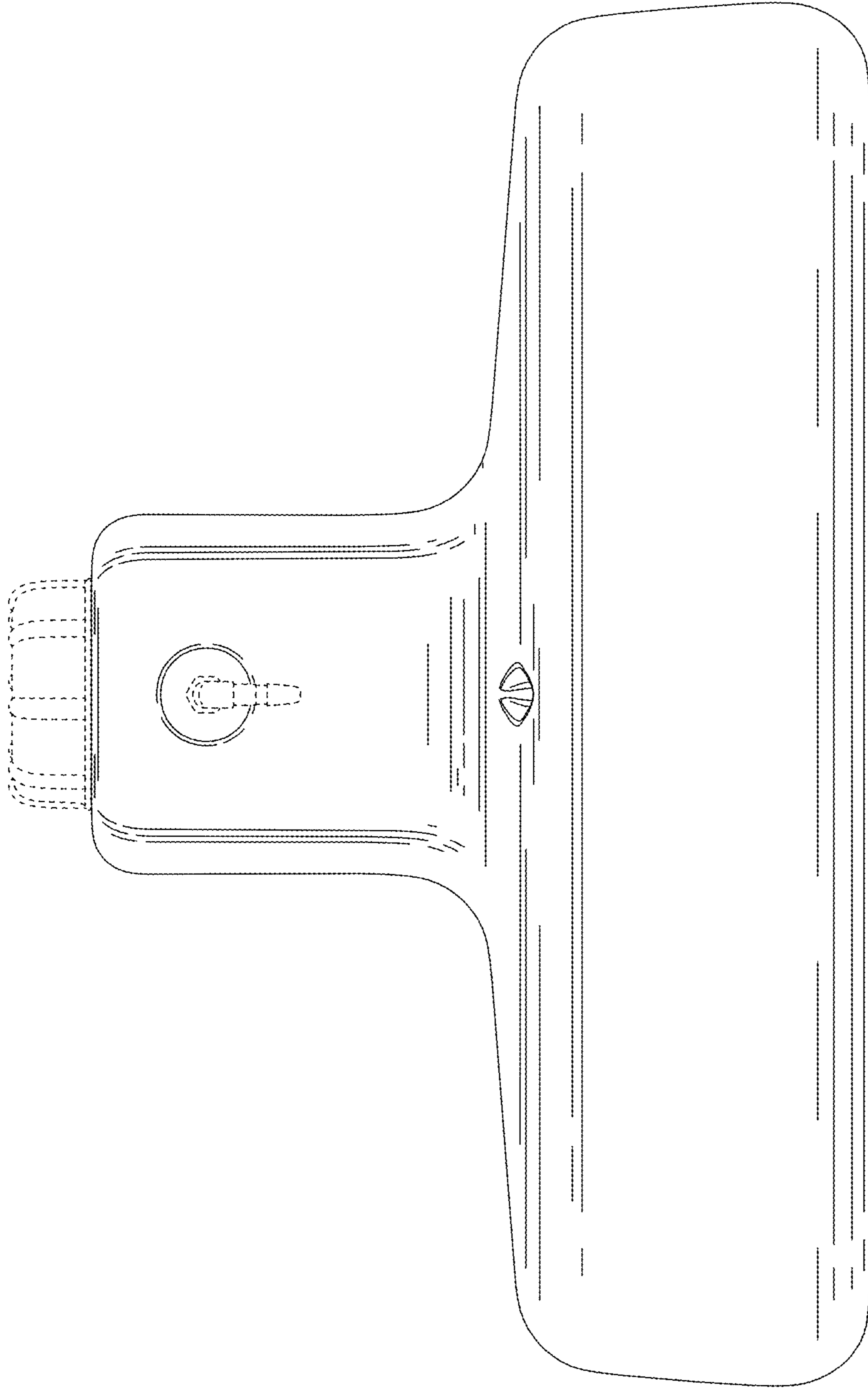


Fig. 2

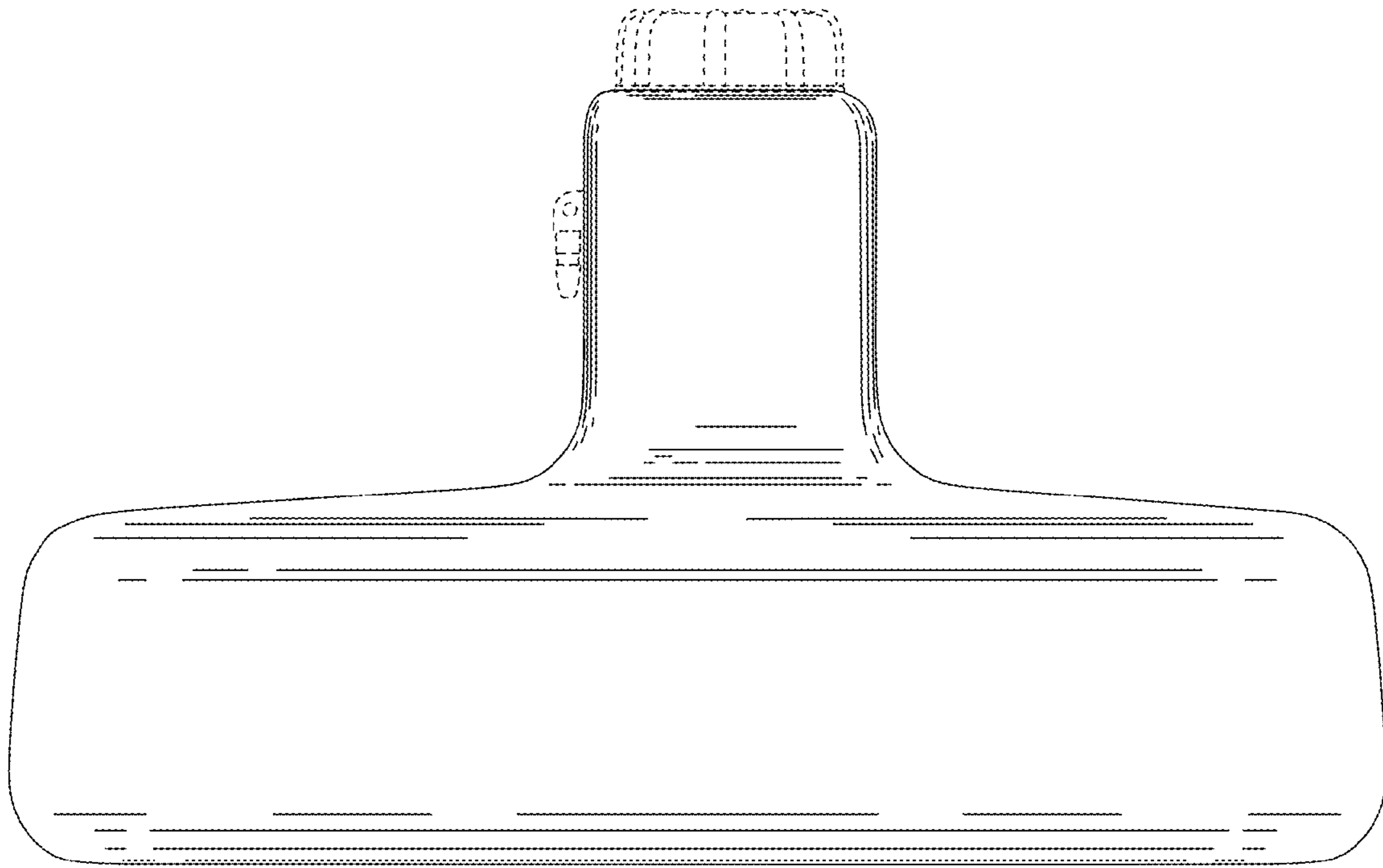


Fig. 3

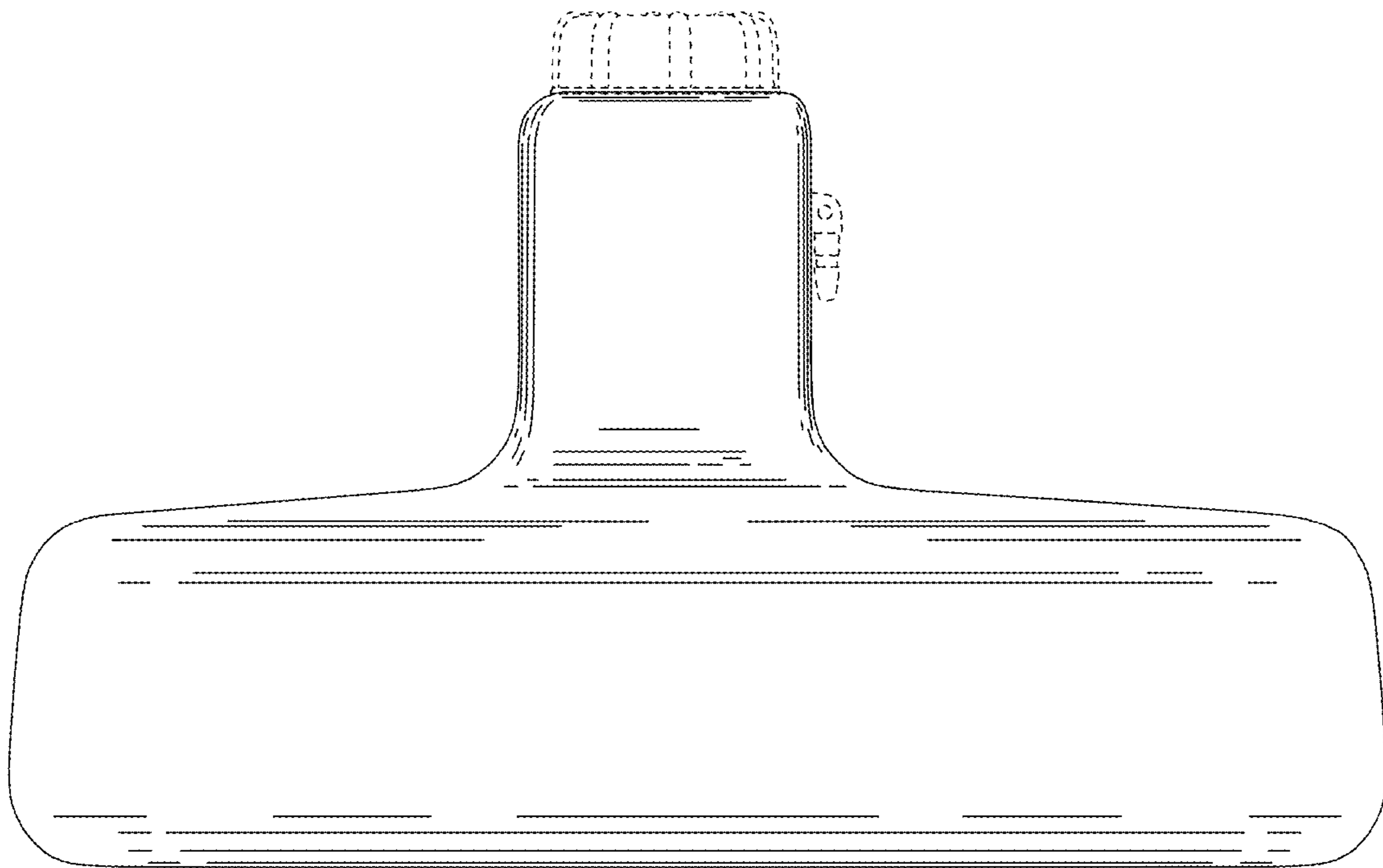


Fig. 4

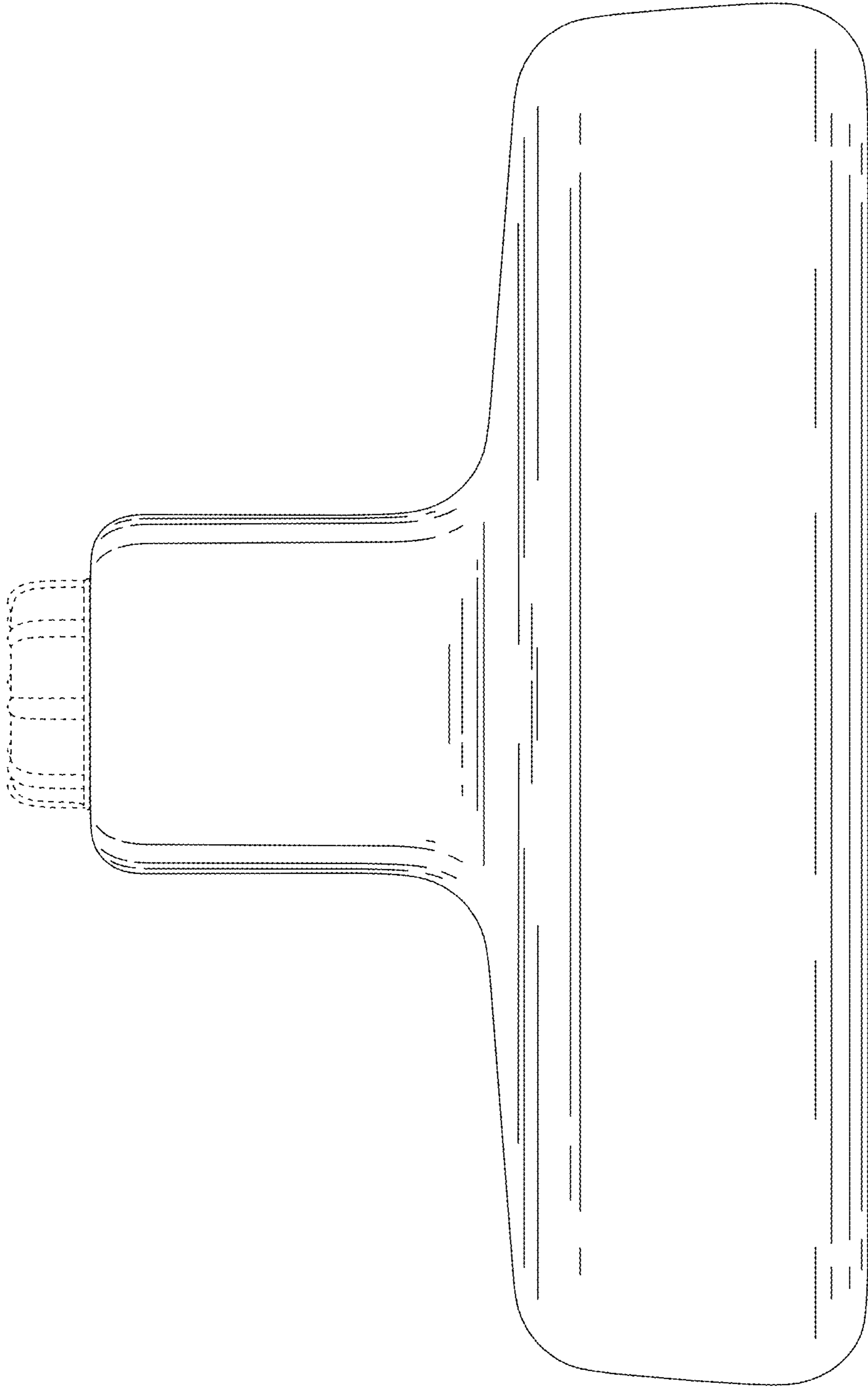


Fig. 5

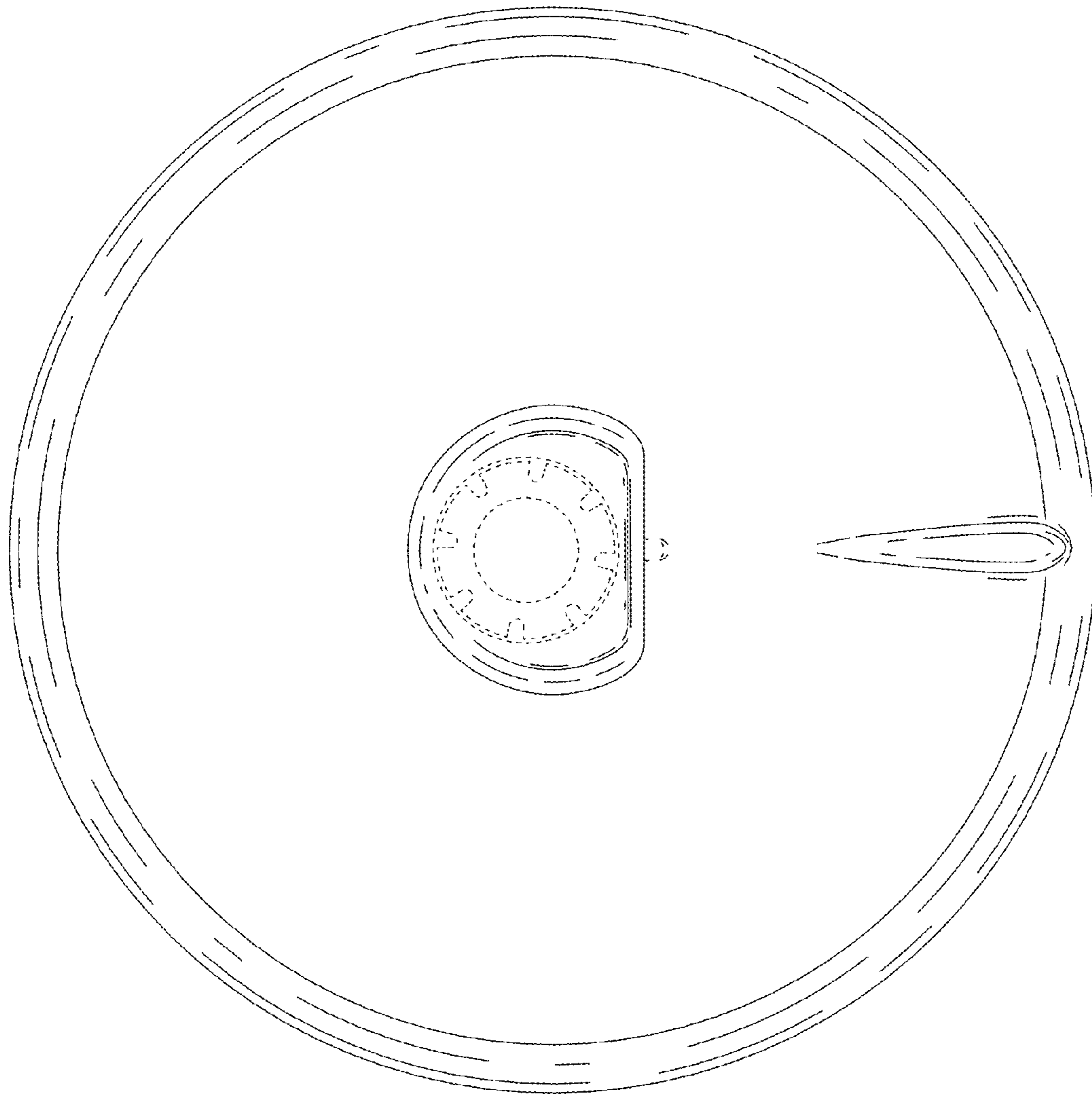


Fig. 6

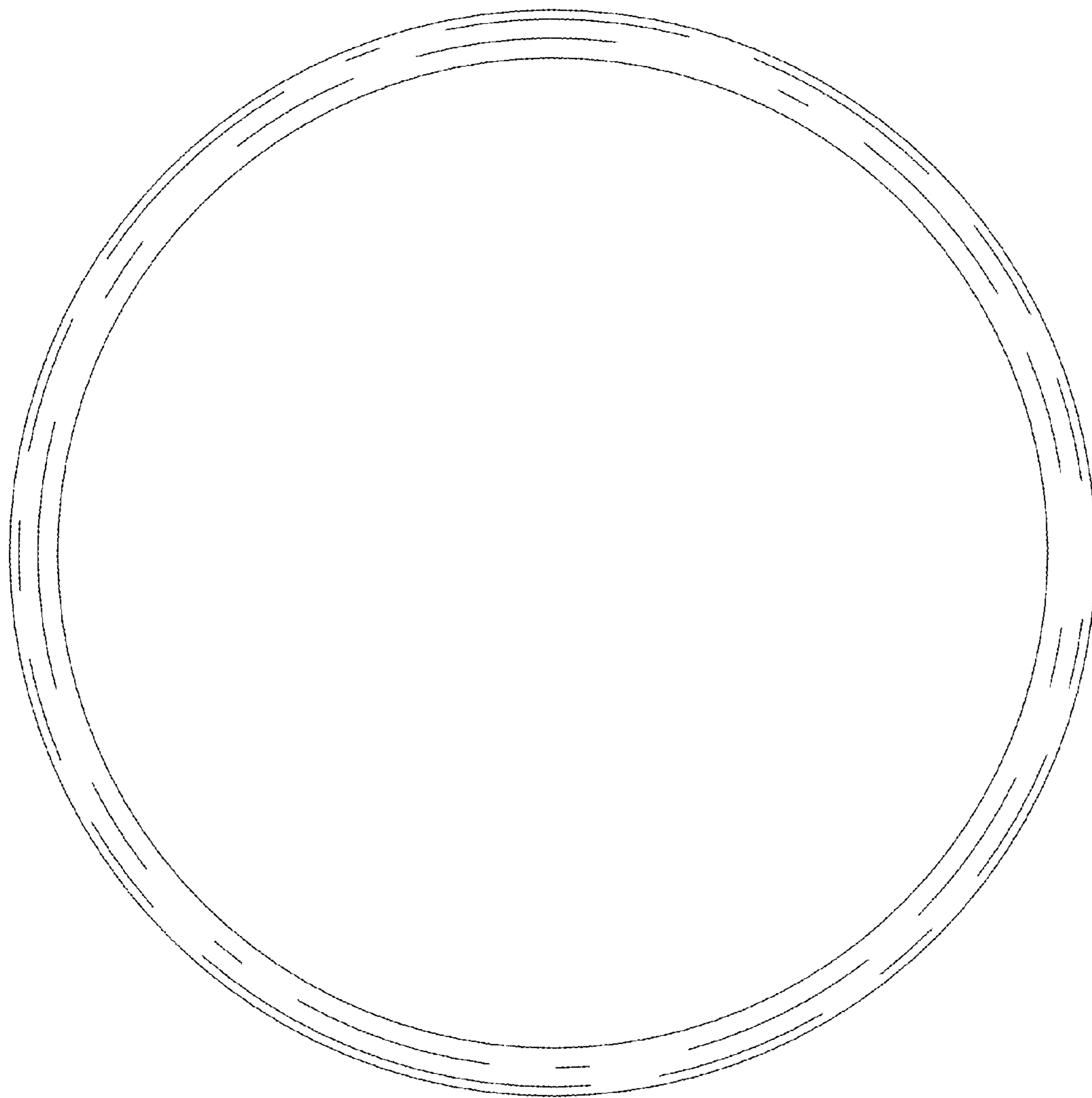


Fig. 7

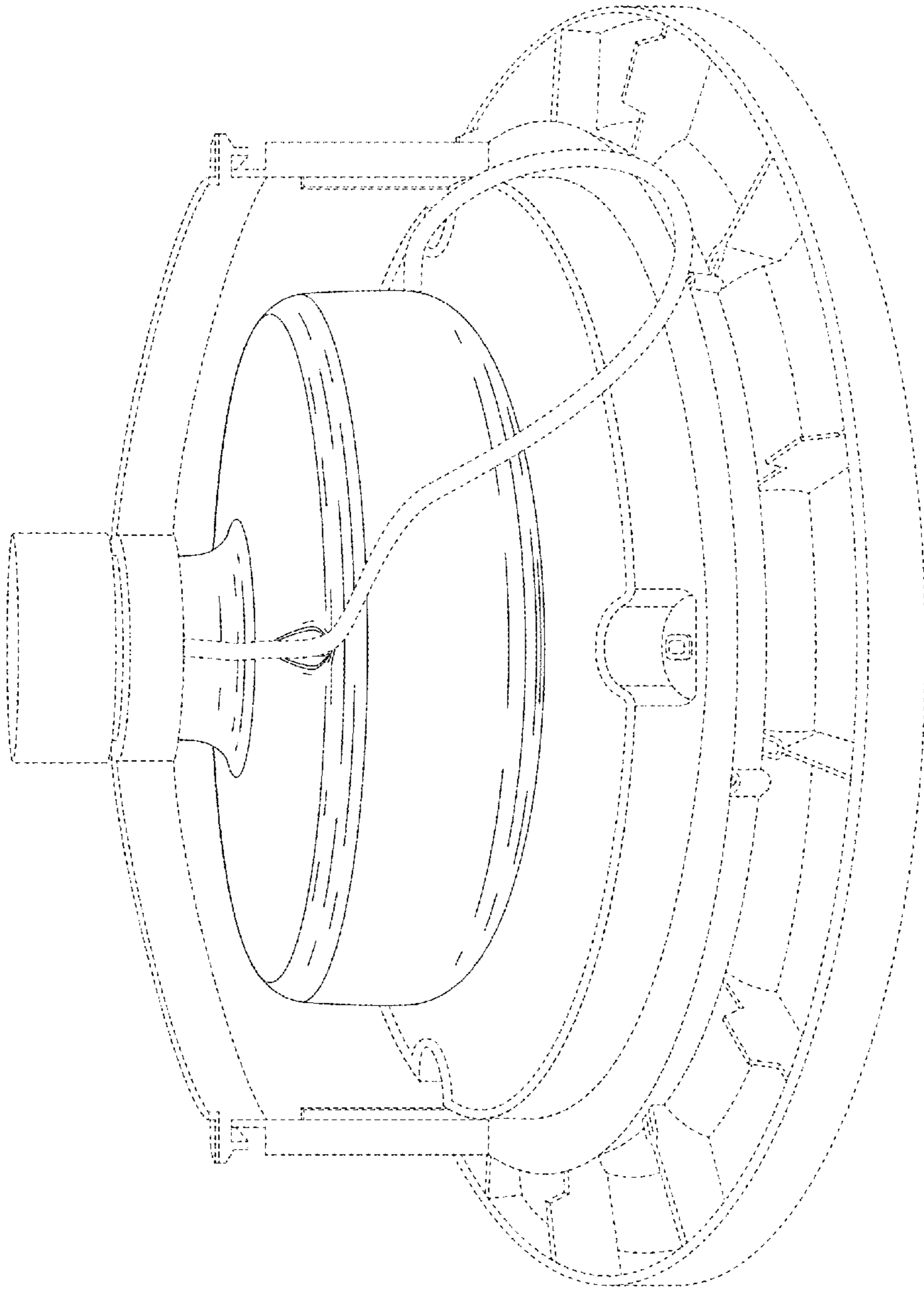


Fig. 8